



US00D540821S

(12) **United States Design Patent**
Gilroy

(10) **Patent No.:** **US D540,821 S**

(45) **Date of Patent:** **** Apr. 17, 2007**

(54) **PUMP CONTROL COMPONENT**

(75) Inventor: **Mark Ashley Gilroy**, Jamboree Heights (AU)

(73) Assignee: **Multitrode Pty Ltd.** (AU)

(**) Term: **14 Years**

(21) Appl. No.: **29/259,467**

(22) Filed: **Apr. 28, 2006**

(51) **LOC (8) Cl.** **15-02**

(52) **U.S. Cl.** **D15/7**

(58) **Field of Classification Search** D15/7-9;
D23/232, 231; 417/359, 415-416, 410.1,
417/321, 265, 405

See application file for complete search history.

(56) **References Cited**

U.S. PATENT DOCUMENTS

D374,237 S	*	10/1996	Wang	D15/7
D475,454 S	*	6/2003	Gillespie et al.	D24/111
D498,242 S	*	11/2004	Song et al.	D15/7
D513,755 S	*	1/2006	Begg et al.	D15/9

* cited by examiner

Primary Examiner—Ralf Seifert

(74) *Attorney, Agent, or Firm*—McDermott Will & Emery LLP

(57) **CLAIM**

We claim the ornamental design for a pump control component, as shown and described.

DESCRIPTION

FIG. 1 is an elevated perspective view of the pump control component of the present claimed invention;

FIG. 2 is a front view of the pump control component shown in FIG. 1;

FIG. 3 is a side view of the pump control component shown in FIG. 1;

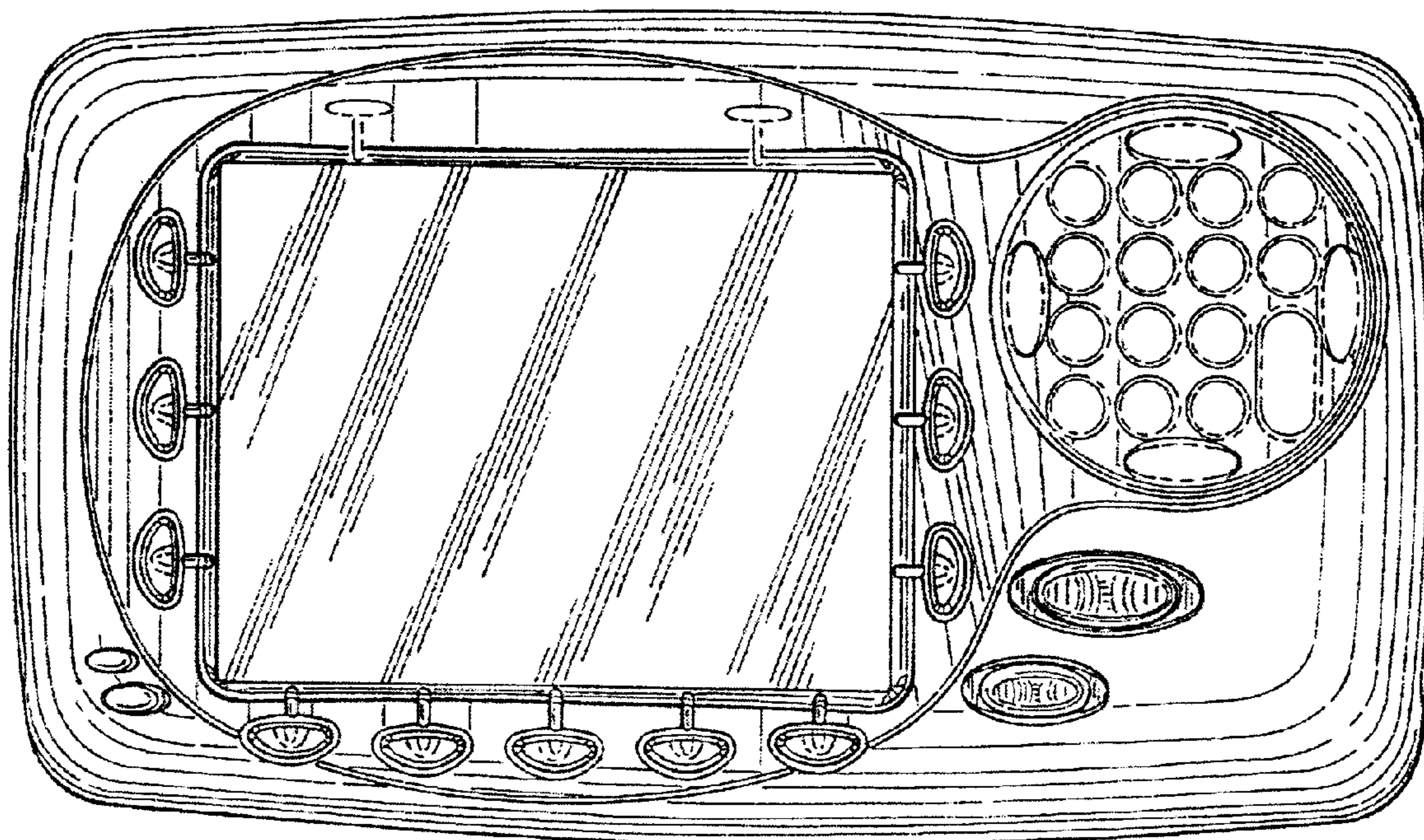
FIG. 4 is an end view of the pump control component shown in FIG. 1;

FIG. 5 is an opposite end view of the pump control component shown in FIG. 1; and,

FIG. 6 is a second side view of the pump control component shown in FIG. 1.

Features shown in broken lines in the drawings are not part of the claim. The bottom view is not claimed.

1 Claim, 2 Drawing Sheets



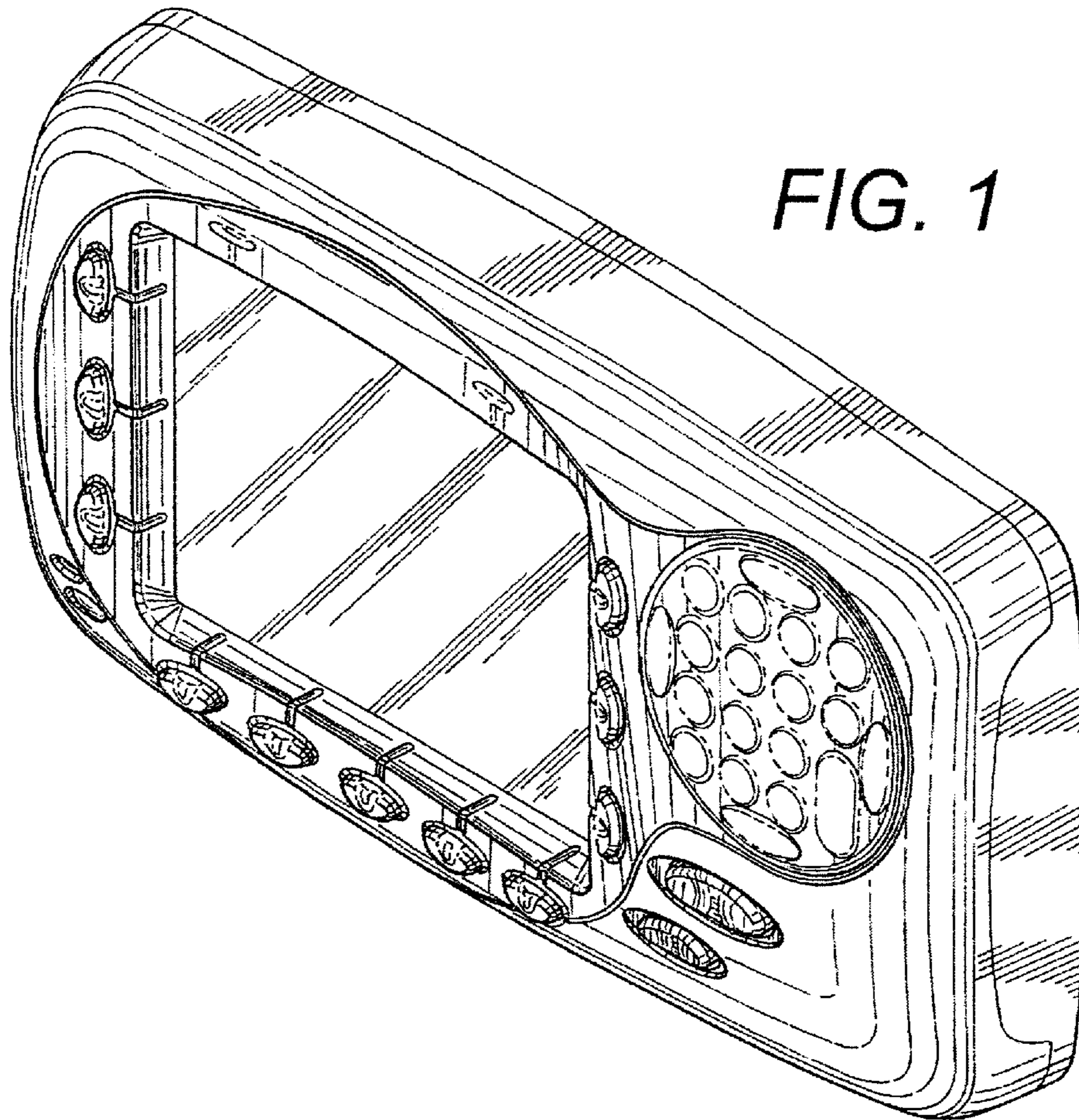


FIG. 2

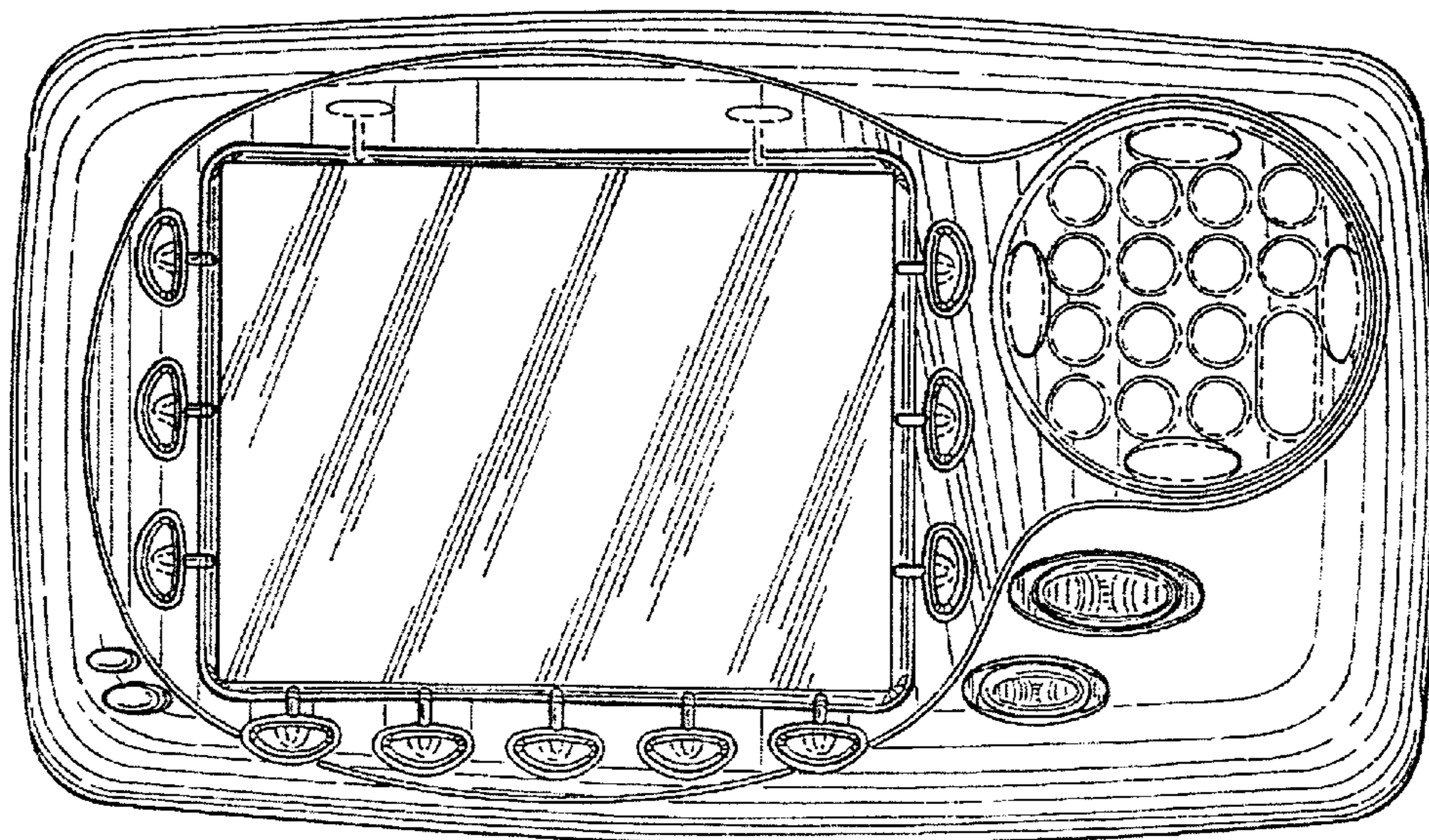


FIG. 3

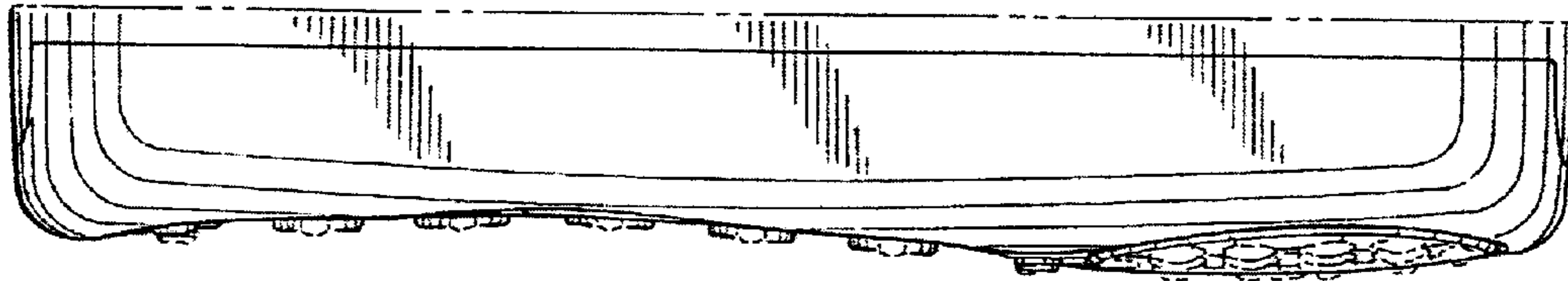


FIG. 4

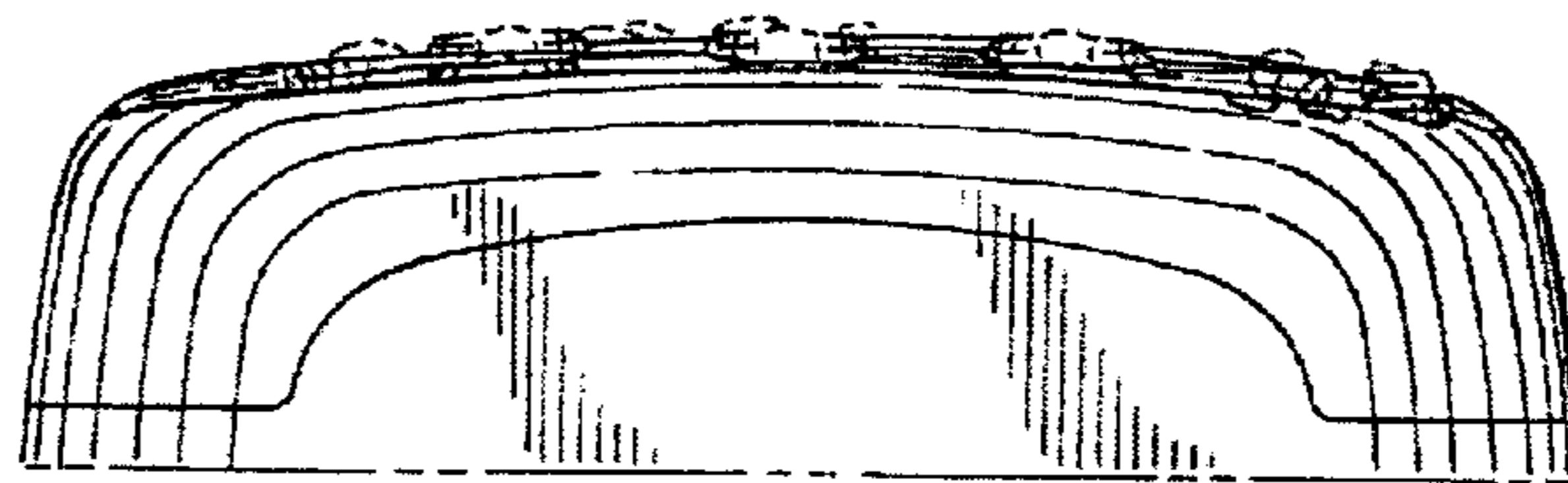


FIG. 5

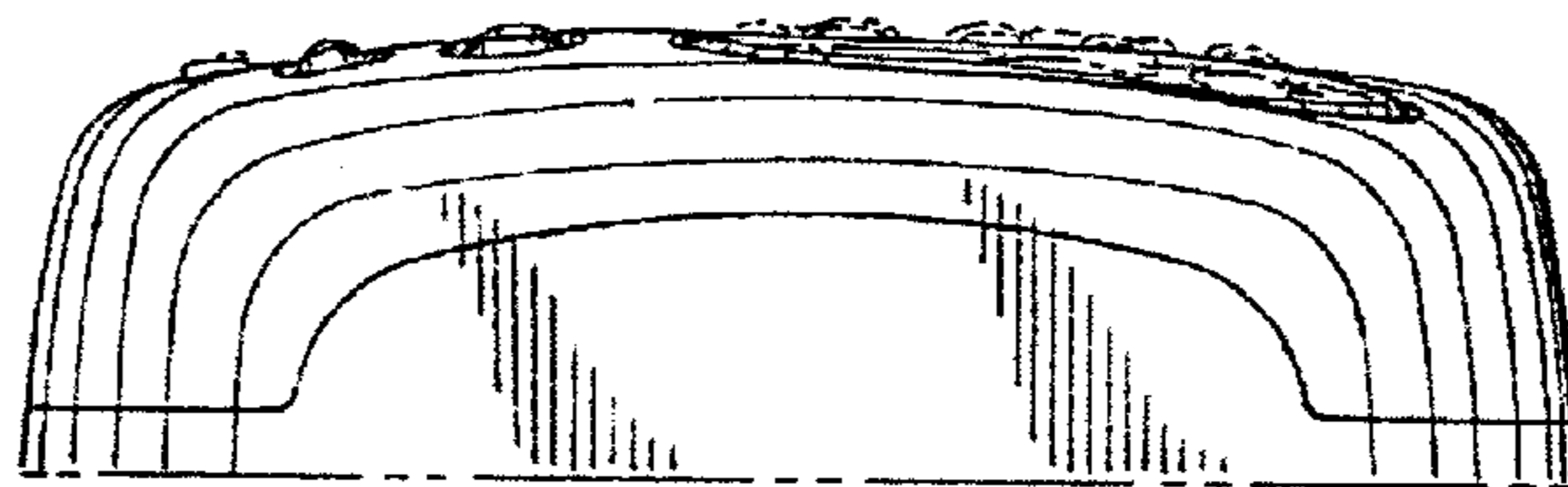


FIG. 6

