



US00D540816S

(12) **United States Design Patent**
Kim

(10) **Patent No.:** **US D540,816 S**

(45) **Date of Patent:** **** Apr. 17, 2007**

(54) **SUPPORTER FOR MP 3 PLAYER**

(75) Inventor: **Tae-Ho Kim**, Seoul (KR)

(73) Assignee: **Samsung Electronics Co., Ltd.**,
Kyunggi-do (KR)

(**) Term: **14 Years**

(21) Appl. No.: **29/235,009**

(22) Filed: **Jul. 26, 2005**

(51) **LOC (8) Cl.** **14-01**

(52) **U.S. Cl.** **D14/496; D14/224**

(58) **Field of Classification Search** D14/496,
D14/217, 224, 251, 248, 238; 273/148 B,
273/148 A; 463/46, 47; 345/156, 169; 370/342-344
See application file for complete search history.

(56) **References Cited**

U.S. PATENT DOCUMENTS

D227,117 S	*	6/1973	Breger	D14/251
D308,522 S	*	6/1990	Swinburne	D14/251
D353,371 S	*	12/1994	Delhaes	D14/149
6,141,417 A	*	10/2000	Lopez et al.	379/446
6,427,856 B1	*	8/2002	Allen	211/163

D462,342 S * 9/2002 Polito et al. D14/224

D462,950 S * 9/2002 Waffensmith et al. D14/251

D495,336 S * 8/2004 Andre et al. D14/434

D518,033 S * 3/2006 Lee D14/224

D522,963 S * 6/2006 Hayes et al. D13/108

* cited by examiner

Primary Examiner—Prabhakar Deshmukh

(74) *Attorney, Agent, or Firm*—Flynn, Thiel, Boutell &
Tanis, P.C.

(57) **CLAIM**

The ornamental design for a supporter for MP 3 player, as shown and described.

DESCRIPTION

FIG. 1 is a top front perspective view of a supporter for MP3 player showing my new design.

FIG. 2. is a front elevational view thereof.

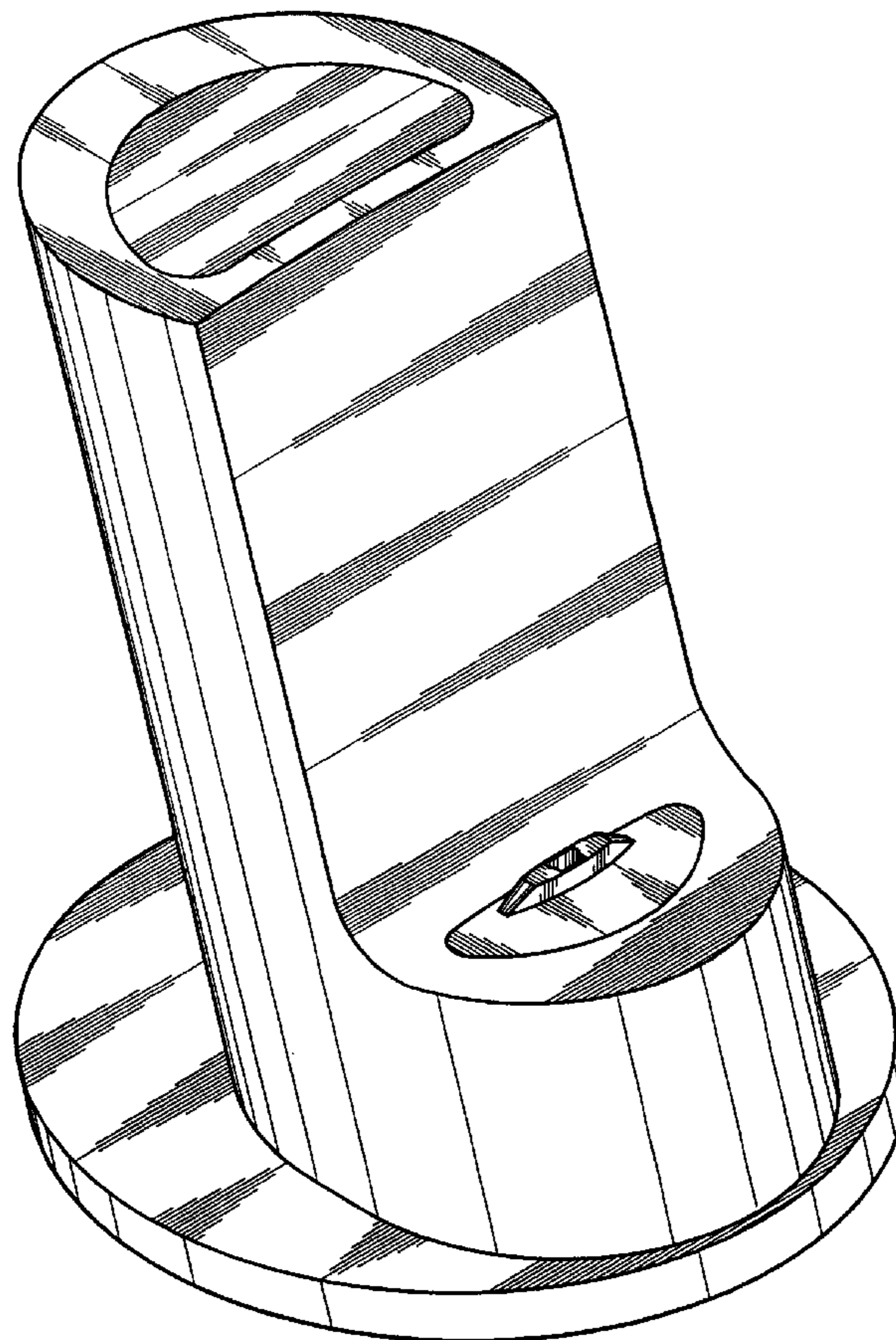
FIG. 3. is a rear elevational view thereof.

FIG. 4 is left side elevational view thereof, the right side elevational view being a mirror image thereof.

FIG. 5. is a top plan view thereof; and,

FIG. 6. is a bottom plan view thereof.

1 Claim, 6 Drawing Sheets



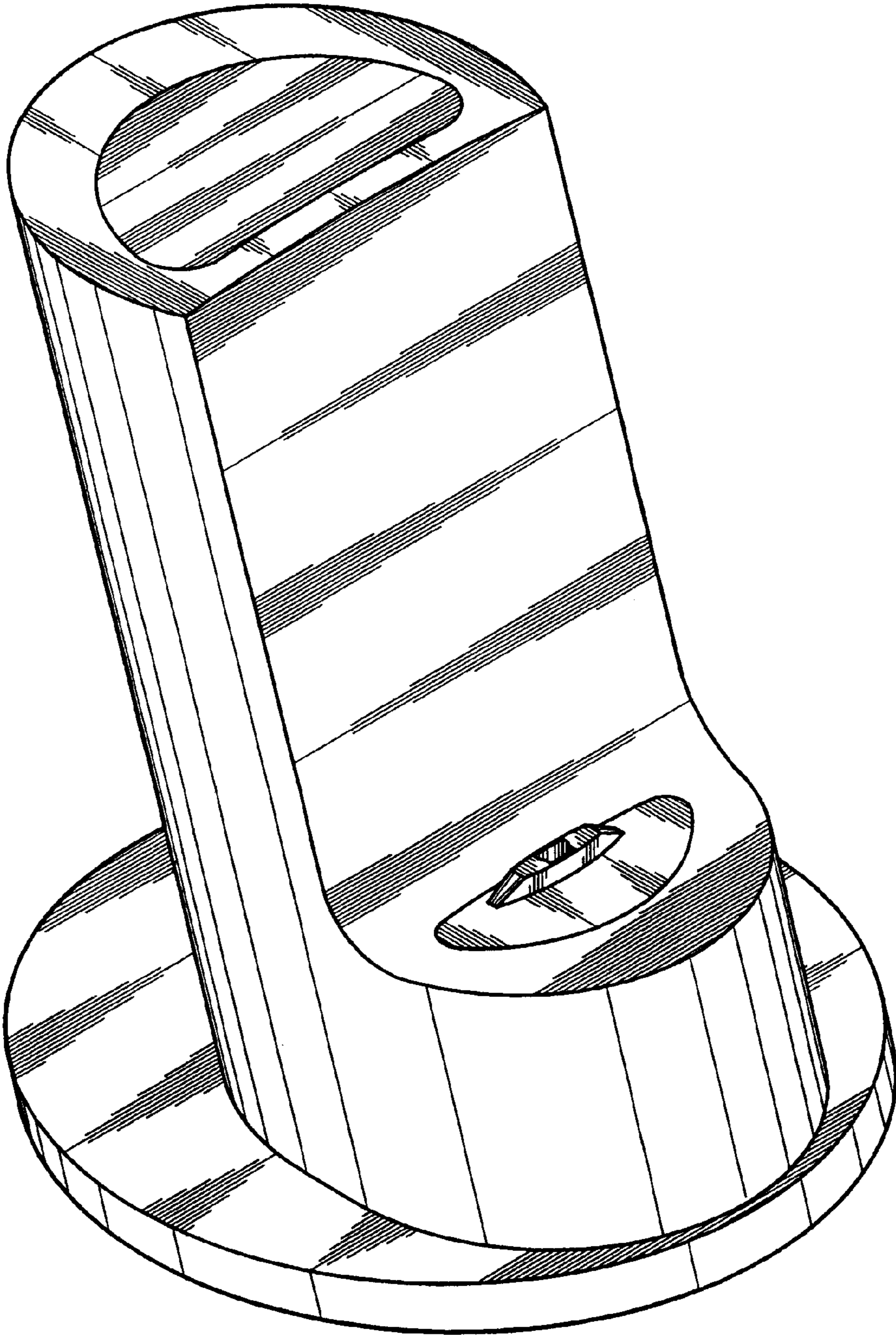


FIG. 1

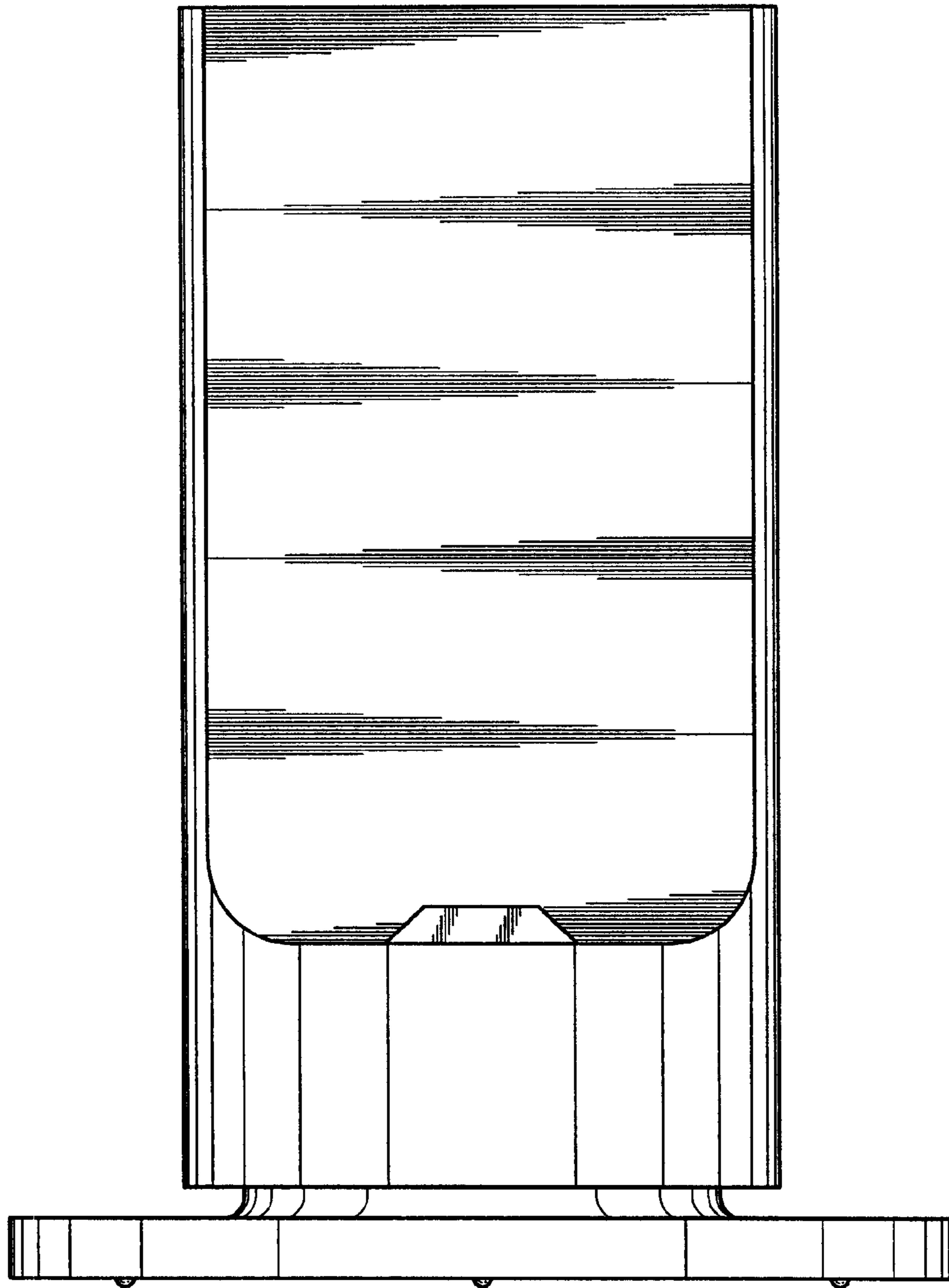


FIG. 2

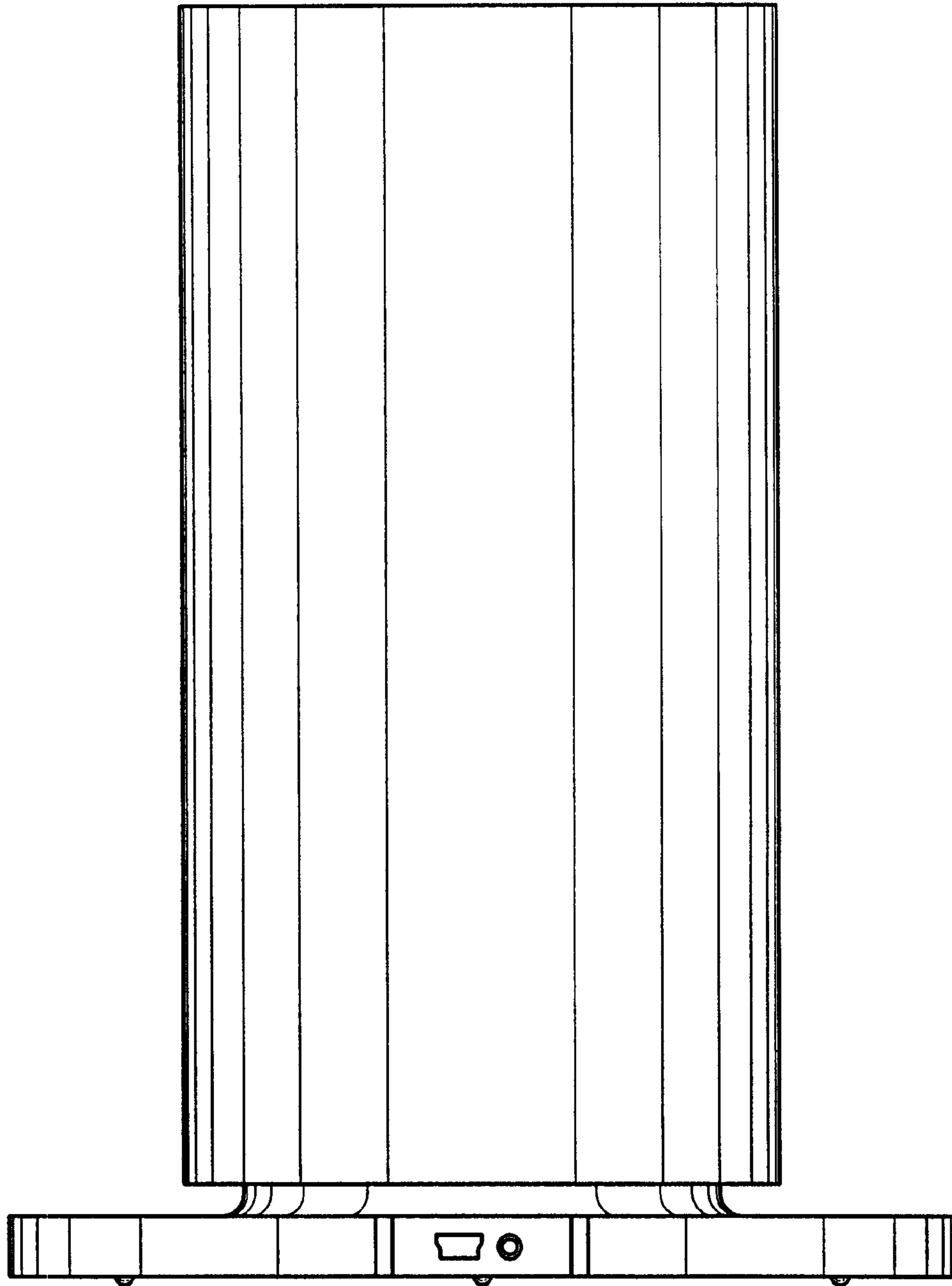


FIG. 3

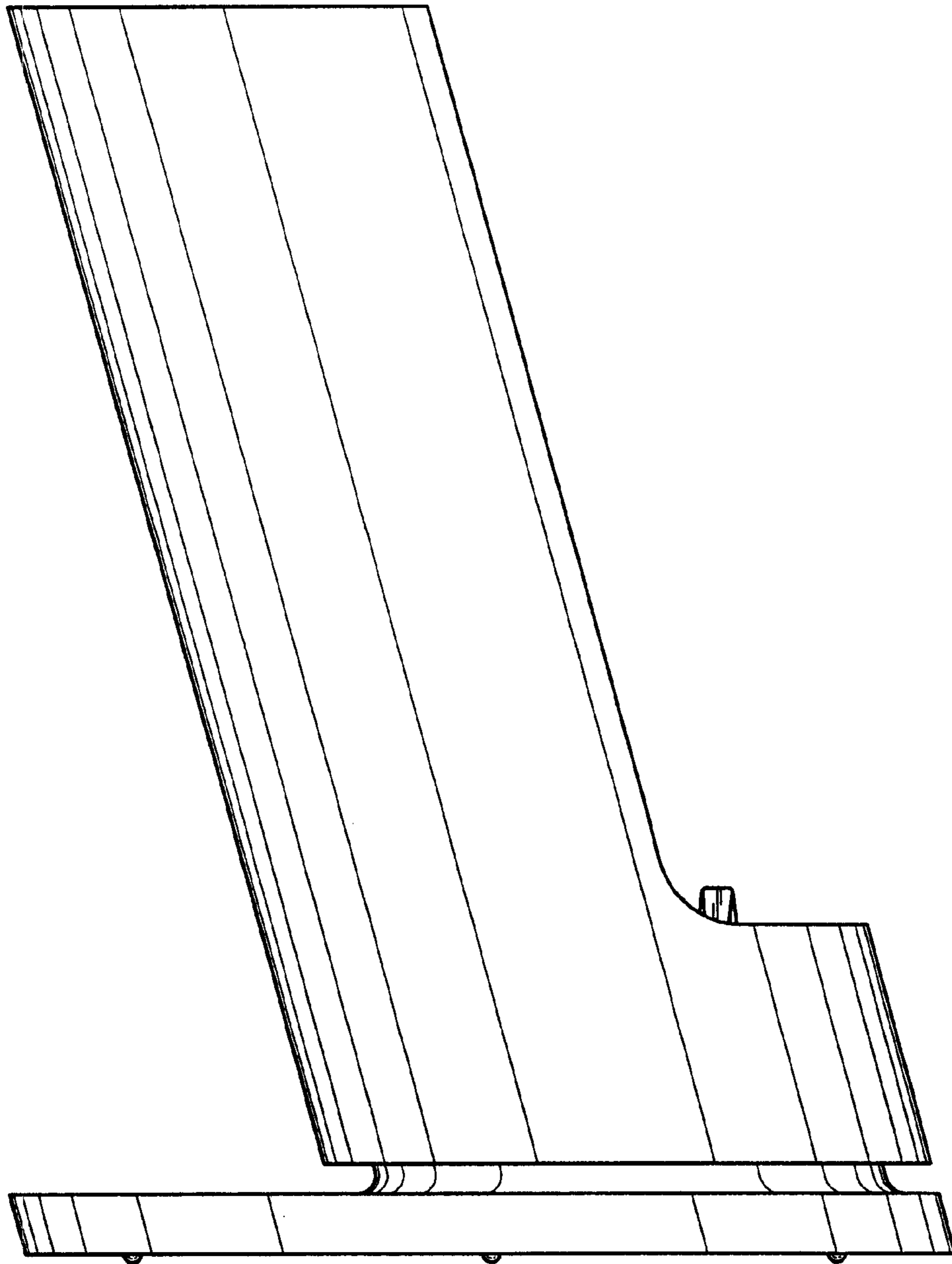


FIG. 4

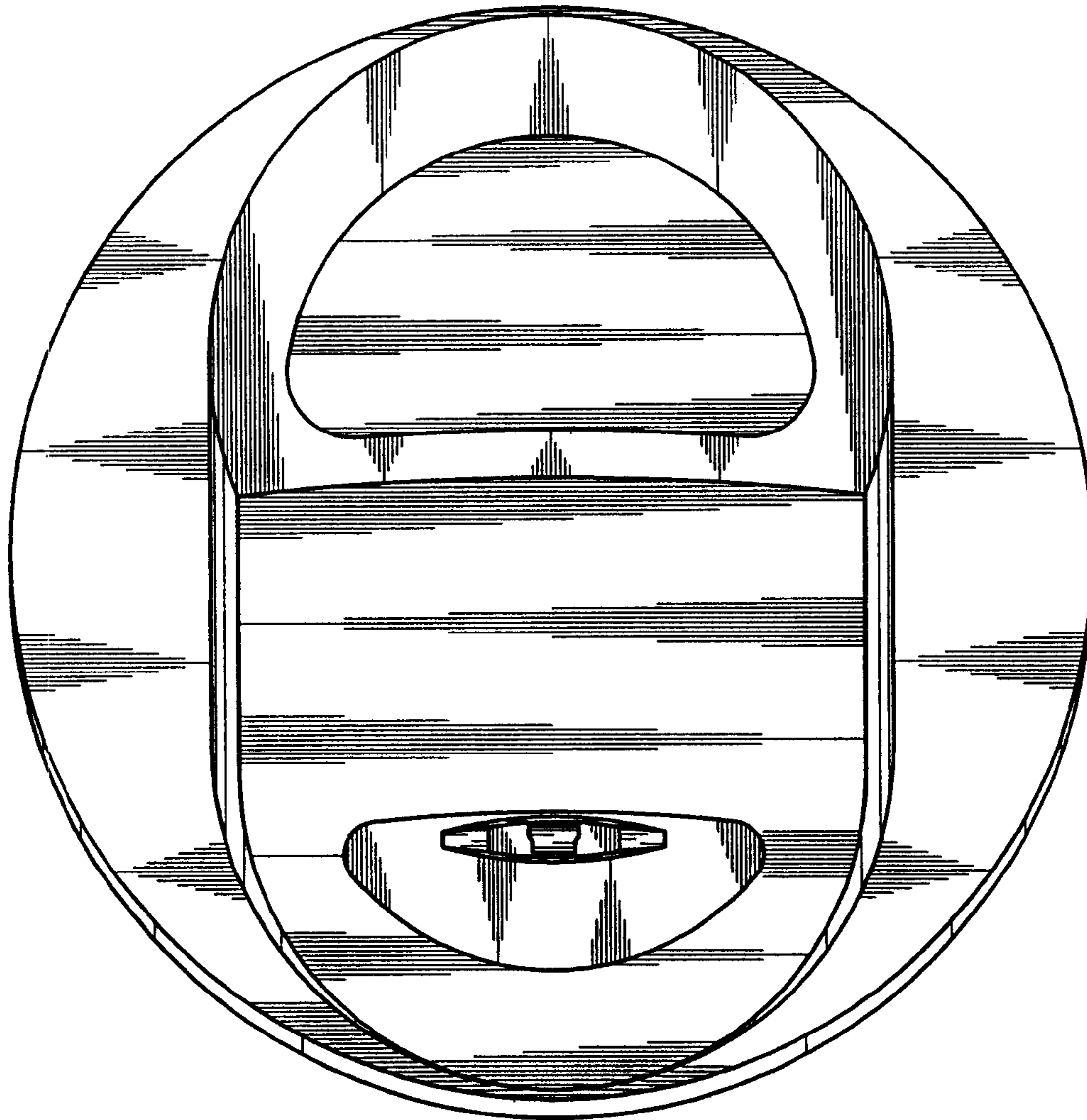


FIG. 5

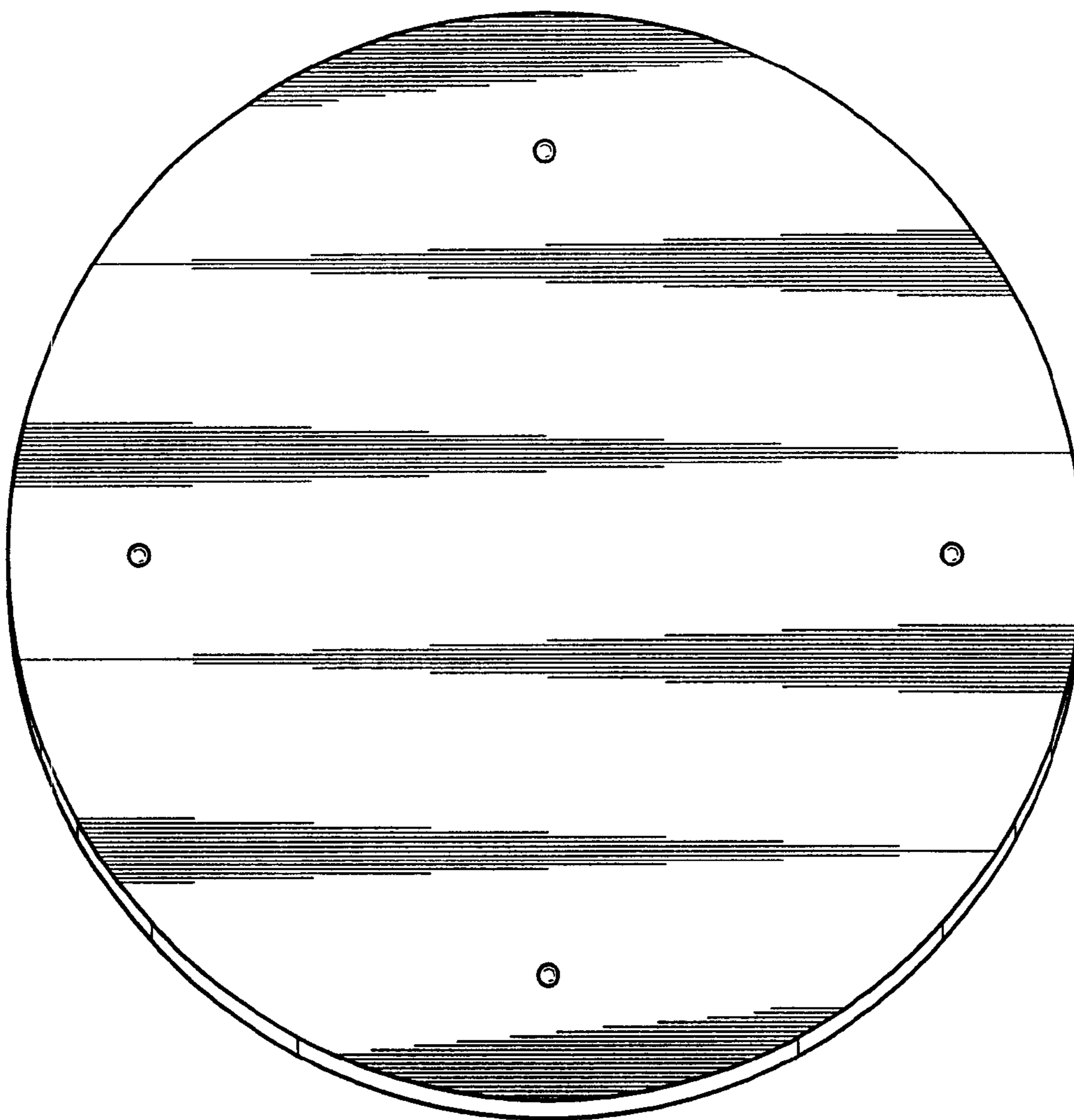


FIG. 6