



US00D540806S

(12) **United States Design Patent**  
**Wang et al.**

(10) **Patent No.:** **US D540,806 S**  
(45) **Date of Patent:** **\*\* Apr. 17, 2007**

- (54) **COMPUTER HAVING A FRONT BEZEL**
- (75) Inventors: **Qiang Wang**, Houston, TX (US); **Keith J. Kuehn**, Spring, TX (US); **Minh H. Nguyen**, Katy, TX (US)
- (73) Assignee: **Hewlett-Packard Development Company, L.P.**, Houston, TX (US)
- (\*\*) Term: **14 Years**

U.S. Appl. No. 29/215,148, filed Oct. 14, 2004; Belgie B. McClelland II et al.; entitled "Computer Having A Bezel".  
U.S. Appl. No. 29/215,774, filed Oct. 25, 2004; Belgie B. McClelland II et al.; entitled "Computer Having An External Panel".

\* cited by examiner

*Primary Examiner*—Freda S. Nunn

- (21) Appl. No.: **29/235,641**
- (22) Filed: **Aug. 3, 2005**

(57) **CLAIM**

The ornamental design for a computer having a front bezel, as shown and described.

- (51) **LOC (8) Cl.** ..... **14-02**
- (52) **U.S. Cl.** ..... **D14/445**
- (58) **Field of Classification Search** ..... D14/441-446, D14/363-368, 439; D13/182, 184, 199; 312/223.1-223.3; 361/680-686, 690-696; 369/34.01, 36.01  
See application file for complete search history.

**DESCRIPTION**

FIG. 1 is a partial front perspective view of the design for the computer having a front bezel;  
 FIG. 2 is a front elevational view of the design for the computer having a front bezel as illustrated in FIG. 1;  
 FIG. 3 is a top elevational view of the design for the computer having a front bezel as illustrated in FIG. 1;  
 FIG. 4 is a partial front perspective view of a right portion of the design for the computer having a front bezel as illustrated in FIG. 1, wherein the left portion is substantially the same as the illustrated right portion;  
 FIG. 5 is a partial front elevational view of a right portion of the design for the computer having a front bezel as illustrated in FIG. 2, wherein the left portion is substantially the same as the illustrated right portion; and,  
 FIG. 6 is a partial top elevational view of a right portion of the design for the computer having a front bezel as illustrated in FIG. 3, wherein the left portion is substantially the same as the illustrated right portion.

In these drawings, the solid lines illustrate the claimed ornamental design, whereas the broken lines illustrate environmental features that form no part of the claimed ornamental design of the subject embodiments.

- (56) **References Cited**
- U.S. PATENT DOCUMENTS
- D308,671 S      6/1990   Aderman et al.
- 4,941,841 A      7/1990   Darden et al.
- D338,662 S      8/1993   Sharp

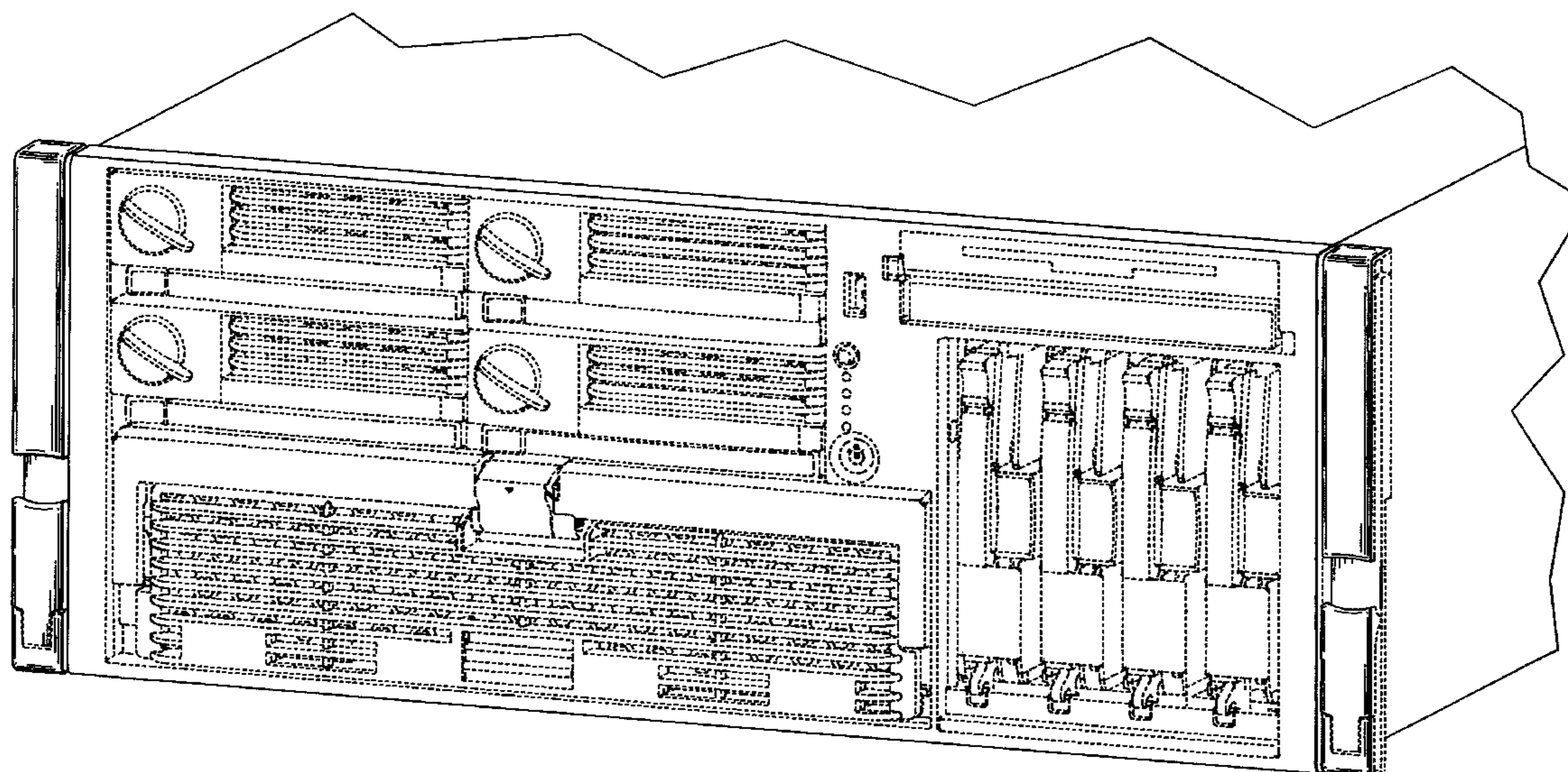
(Continued)

- FOREIGN PATENT DOCUMENTS
- DE            M9401797      \* 10/1994

**OTHER PUBLICATIONS**

- U.S. Appl. No. 29/209,597, filed Jul. 19, 2004; Belgie B. McClelland II et al.; entitled "Computer Have A Drive Carrier".
- U.S. Appl. No. 29/209,868, filed Jul. 21, 2004; Qiang Wang et al.; entitled "Computer Having A Drive Carrier".

**1 Claim, 4 Drawing Sheets**



# US D540,806 S

Page 2

## U.S. PATENT DOCUMENTS

D348,051 S	6/1994	Noble	D455,754 S	4/2002	Gant et al.	
D362,433 S	9/1995	Chen	D458,924 S	6/2002	Tsuyuki et al.	
D399,193 S	10/1998	Chang	D460,457 S	7/2002	Caughlan et al.	
D401,569 S	11/1998	Massaro	D461,807 S	8/2002	Kuehn et al.	
D409,592 S	5/1999	Prestigomo	D461,816 S	8/2002	Caughlan et al.	
D409,593 S	5/1999	Prestigomo	D462,075 S	8/2002	Hillyard et al.	
D410,912 S	6/1999	Bloch et al.	6,442,021 B1	8/2002	Bologna et al.	
6,000,769 A	12/1999	Chen	D464,056 S	10/2002	Skandalis	
D419,147 S	1/2000	Tanzer et al.	6,473,300 B1	10/2002	Youngquist et al.	
6,052,278 A	4/2000	Tanzer et al.	D470,486 S	2/2003	Cheng	
D428,014 S	7/2000	Bostedt et al.	D473,197 S	4/2003	Bovell	
6,088,221 A	7/2000	Bologna	D474,186 S	5/2003	Frank et al.	
D431,245 S	9/2000	Searby et al.	D476,631 S	7/2003	Frank et al.	
D434,395 S	11/2000	Mazzetti et al.	D481,393 S	10/2003	Alo et al.	
6,154,361 A	11/2000	Anderson et al.	D481,394 S	10/2003	Kuehn et al.	
D442,151 S	5/2001	Mazzetti et al.	6,661,651 B1	12/2003	Tanzer et al.	
6,247,944 B1	6/2001	Bologna et al.	D485,278 S	1/2004	Wang et al.	
D447,483 S	9/2001	Wu	D491,570 S	6/2004	Fan et al.	
6,302,714 B1	10/2001	Bologna et al.	6,891,723 B1	5/2005	Lin et al.	
D454,881 S	3/2002	Daniels et al.	D506,201 S	6/2005	McClelland et al.	
D455,152 S	4/2002	Caughlan et al.	D507,000 S	7/2005	Wang	
D455,153 S	4/2002	Gant et al.	2003/0011979 A1	1/2003	Tanzer et al.	
D455,154 S	4/2002	Daniels et al.	2004/0228083 A1 *	11/2004	Wang et al. ....	361/683
D455,752 S	4/2002	Gant et al.	2005/0040740 A1 *	2/2005	Yun .....	312/223.2
D455,753 S	4/2002	Daniels et al.	2005/0122676 A1 *	6/2005	Clark et al. ....	361/686
			2005/0157461 A1 *	7/2005	Cauthron .....	361/683

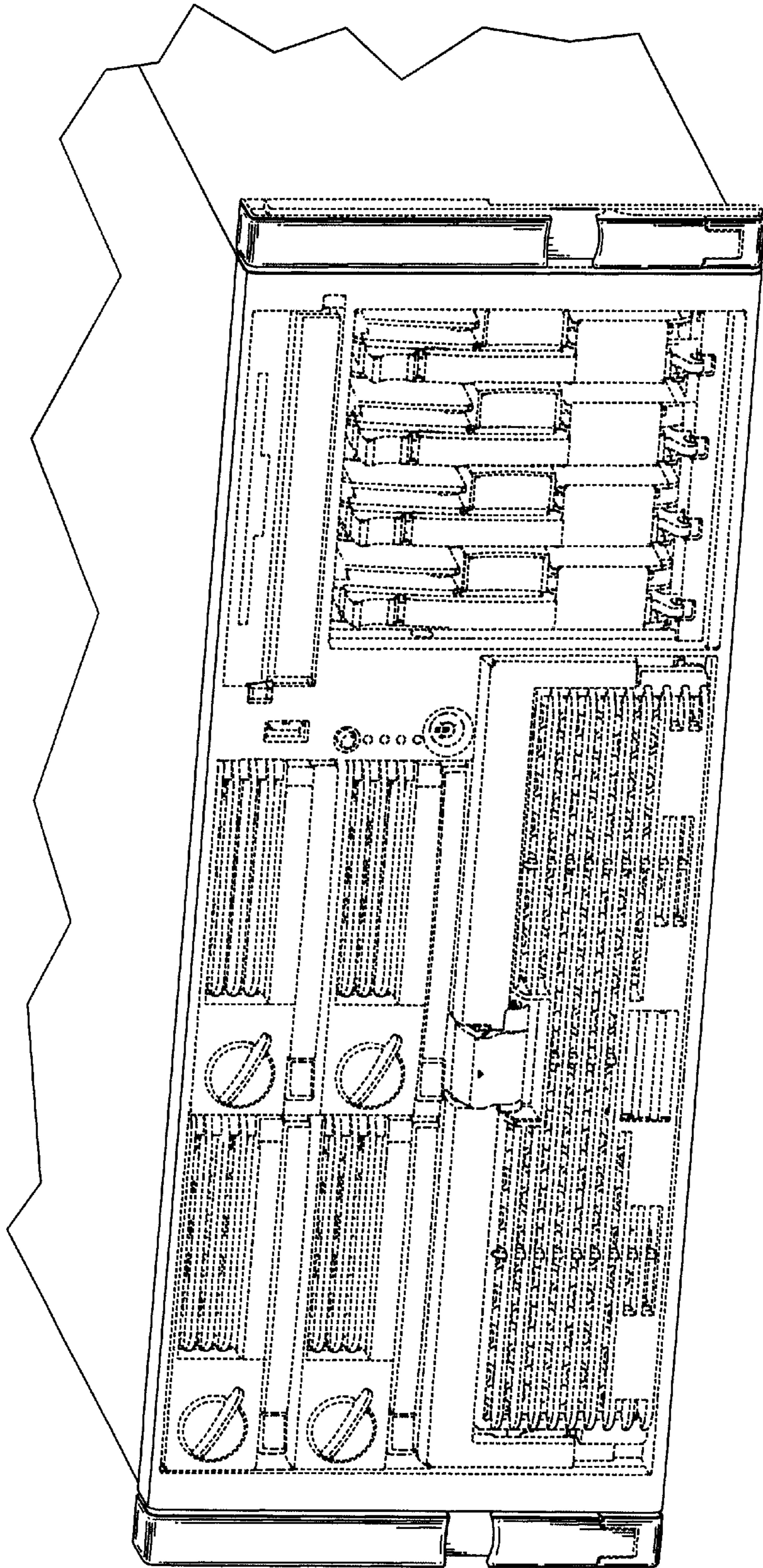


FIG. 1

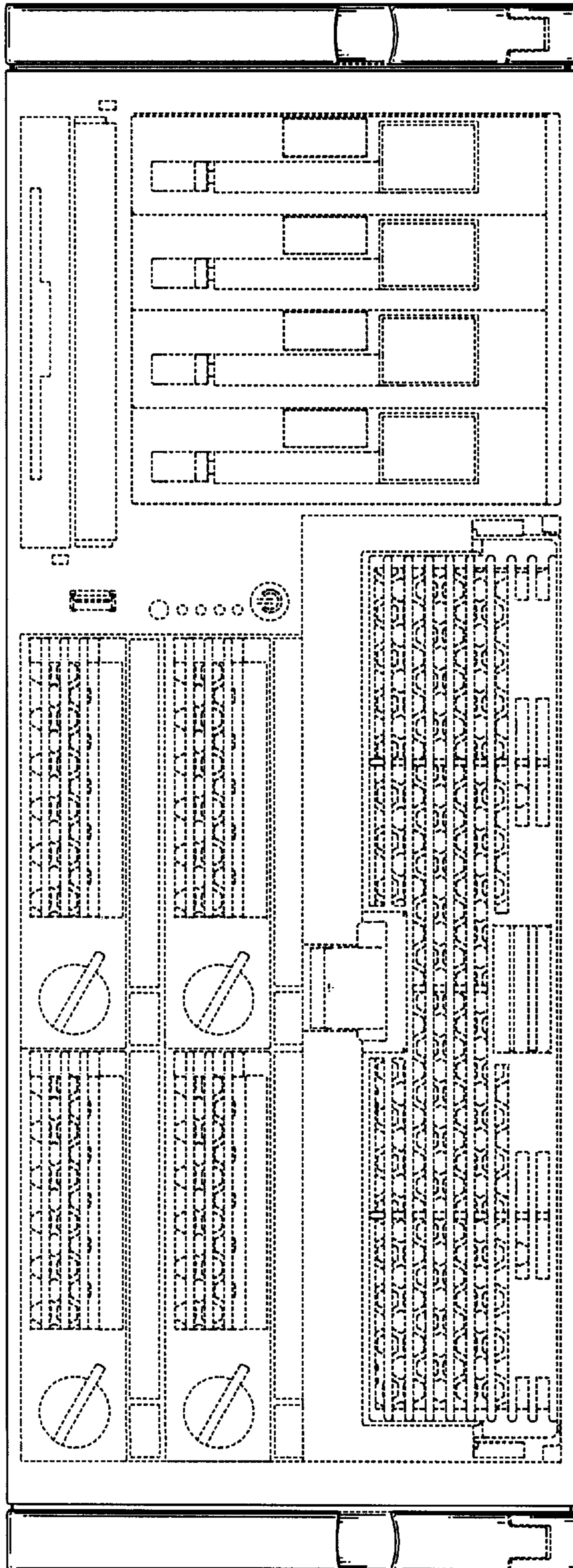


FIG. 2

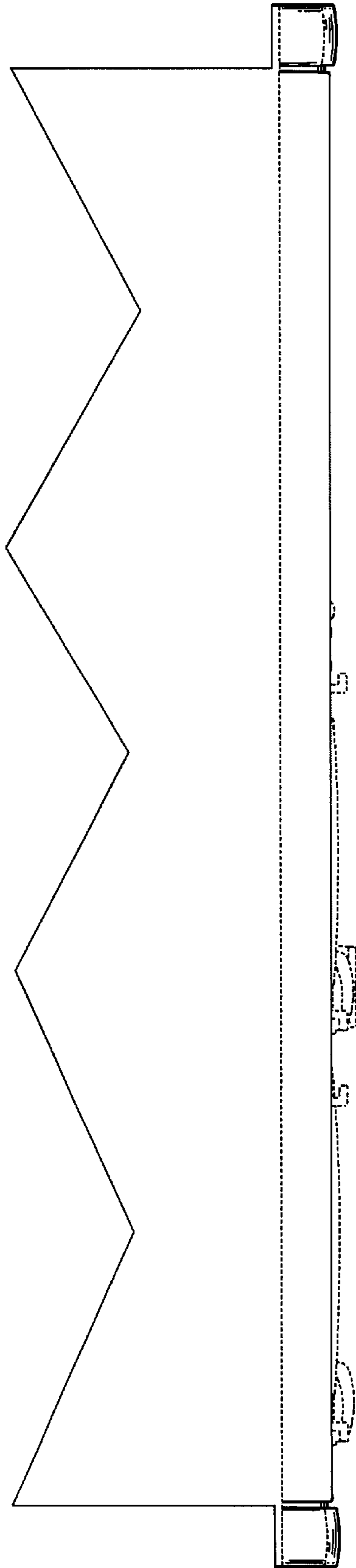


FIG. 3

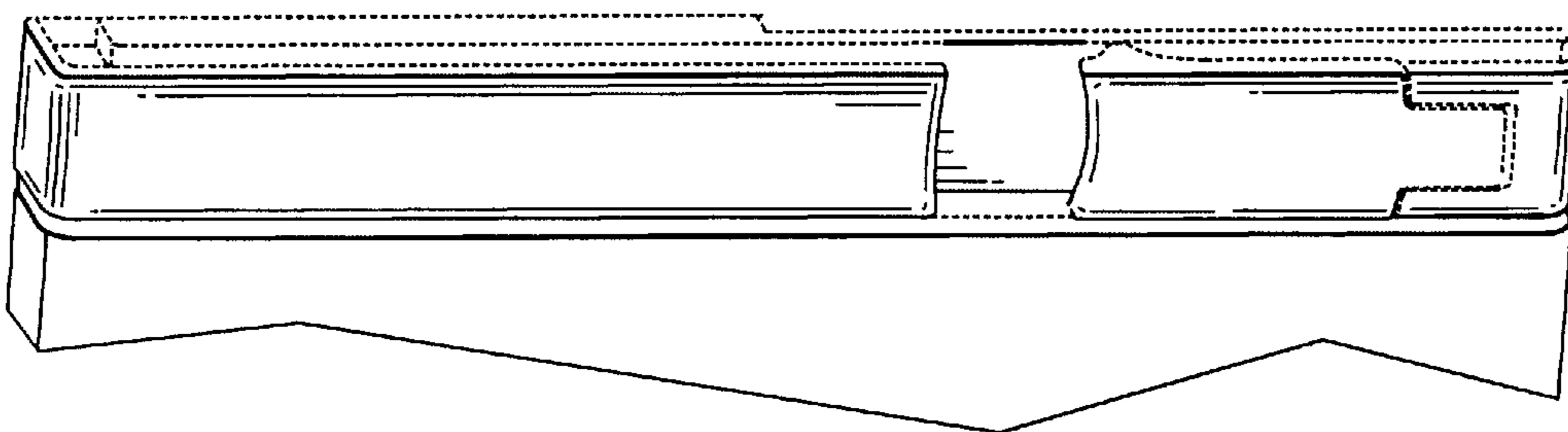


FIG. 4

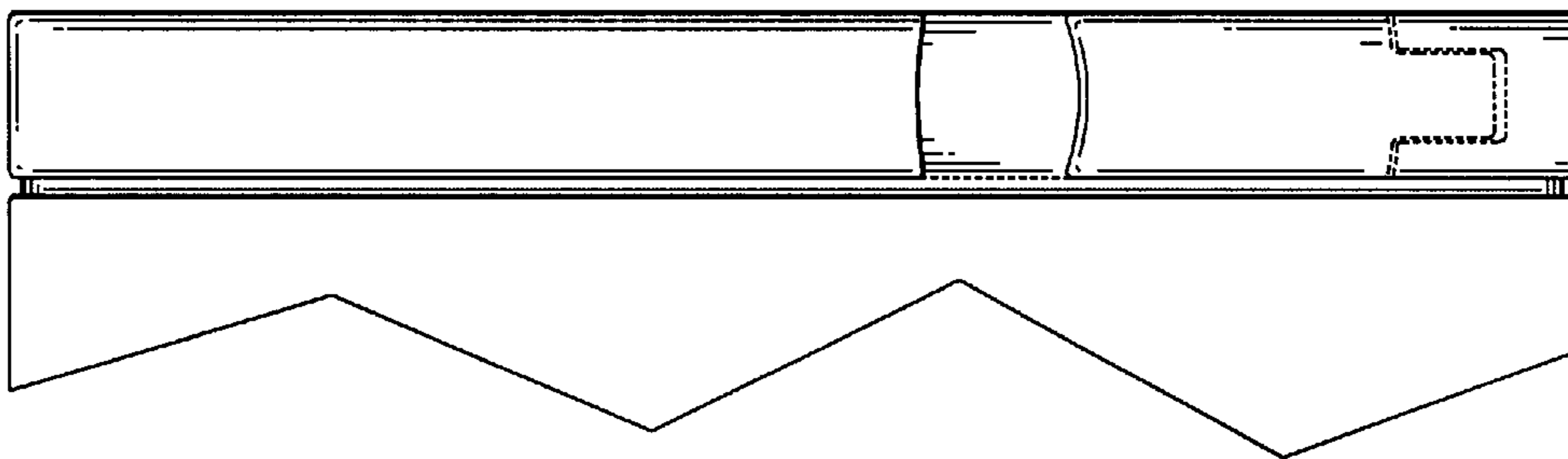


FIG. 5

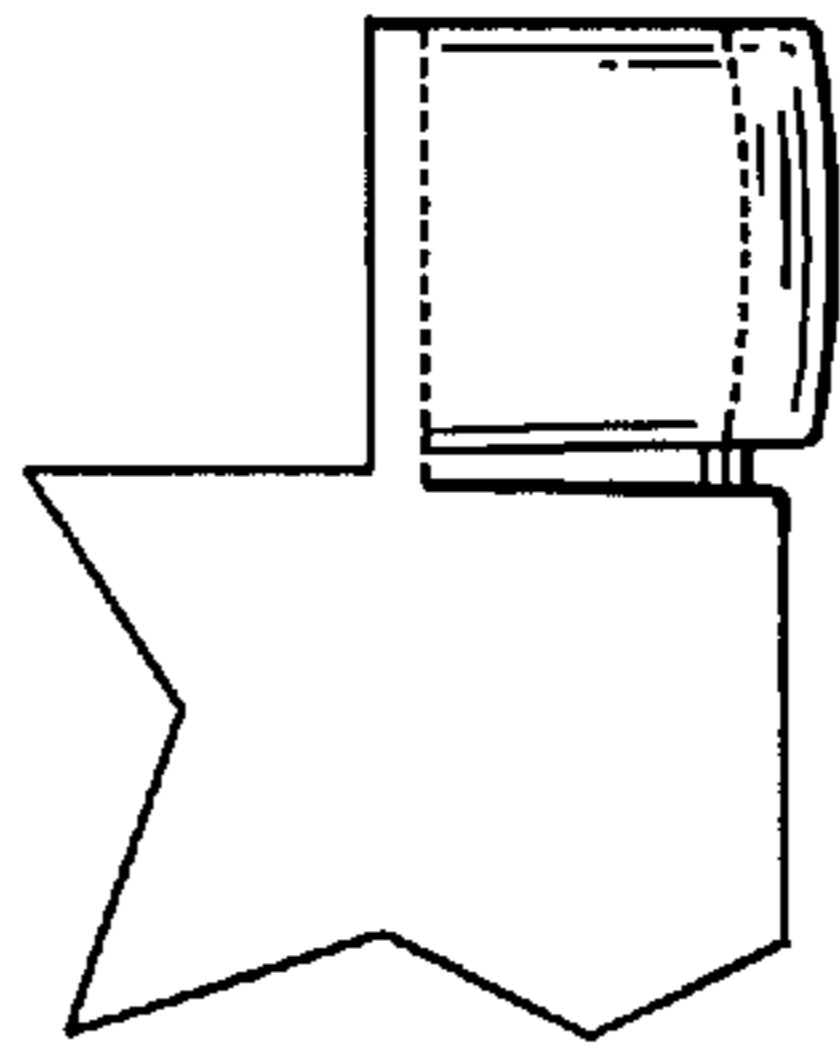


FIG. 6