

US00D540804S

(12) **United States Design Patent**  
**Hibino et al.**

(10) **Patent No.:** **US D540,804 S**  
(45) **Date of Patent:** **\*\* Apr. 17, 2007**

(54) **CHARGING DEVICE WITH DISPLAY MONITOR**

(75) Inventors: **Yoshihiko Hibino**, Gifu-ken (JP);  
**Yuichi Yasutomo**, Nagoya (JP);  
**Yoshiko Shimada**, Nagoya (JP); **Kazuo Ito**, Aichi-ken (JP); **Yukihiko Sato**, Nagoya (JP)

(73) Assignee: **Brother Industries, Ltd.**, Nagoya (JP)

(\*\*) Term: **14 Years**

(21) Appl. No.: **29/232,929**

(22) Filed: **Jun. 27, 2005**

(30) **Foreign Application Priority Data**

Dec. 27, 2004 (JP) ..... 2004-040036

(51) **LOC (8) Cl.** ..... **14-02**

(52) **U.S. Cl.** ..... **D14/434**

(58) **Field of Classification Search** ..... D14/371-375,  
D14/382, 315, 420-424, 434, 439, 447; D18/315-27;  
358/474; 235/462.11, 462.14, 462.31, 462.43,  
235/462.18, 462.36, 454, 470; 359/199, 213,  
359/214; D13/107-110

See application file for complete search history.

(56) **References Cited**

U.S. PATENT DOCUMENTS

D324,673 S \* 3/1992 Iino ..... D14/315

D347,856 S \* 6/1994 Marfori et al. .... D19/60  
D348,444 S \* 7/1994 Papademetriou et al. .. D14/315  
D391,927 S \* 3/1998 Faranda et al. .... D14/318  
D412,701 S \* 8/1999 Cantu ..... D14/424  
D479,556 S \* 9/2003 Hattori et al. .... D14/464  
D491,175 S \* 6/2004 Shimano ..... D14/318  
D491,934 S \* 6/2004 Shimano et al. .... D14/318

\* cited by examiner

*Primary Examiner*—M. H. Tung

*Assistant Examiner*—Susan Moon Lee

(74) *Attorney, Agent, or Firm*—Oliff & Berridge, PLC

(57) **CLAIM**

The ornamental design for a charging device with display monitor, as shown and described.

**DESCRIPTION**

FIG. 1 is a front view of a charging device with display monitor;

FIG. 2 is a top view thereof;

FIG. 3 is a right-side view thereof;

FIG. 4 is a left-side view thereof;

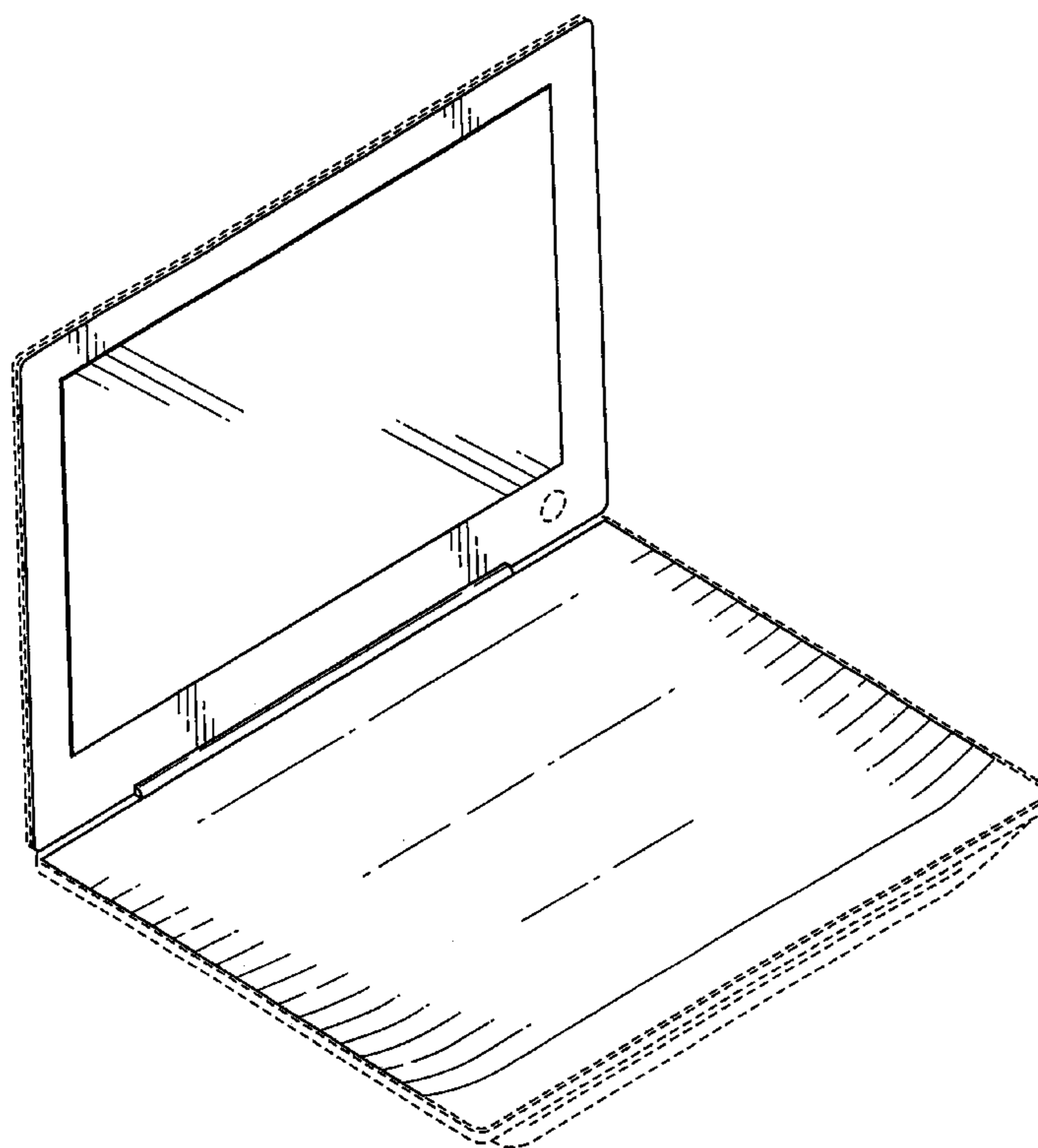
FIG. 5 is a rear view thereof;

FIG. 6 is a bottom view thereof; and,

FIG. 7 is a perspective view thereof.

The broken line showing is for illustrative purposes only and forms no part of the claimed design.

**1 Claim, 4 Drawing Sheets**



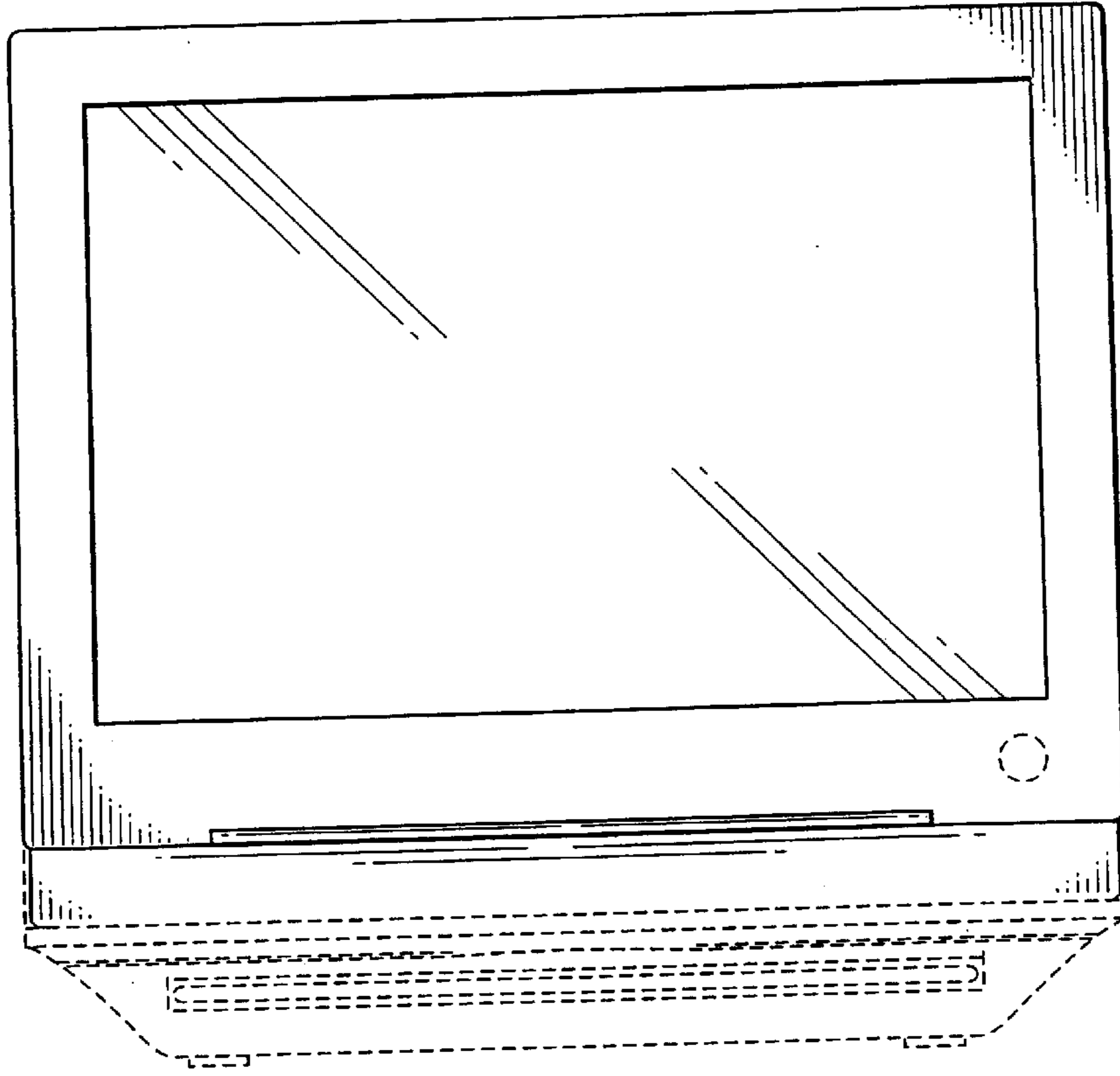


FIG. 1

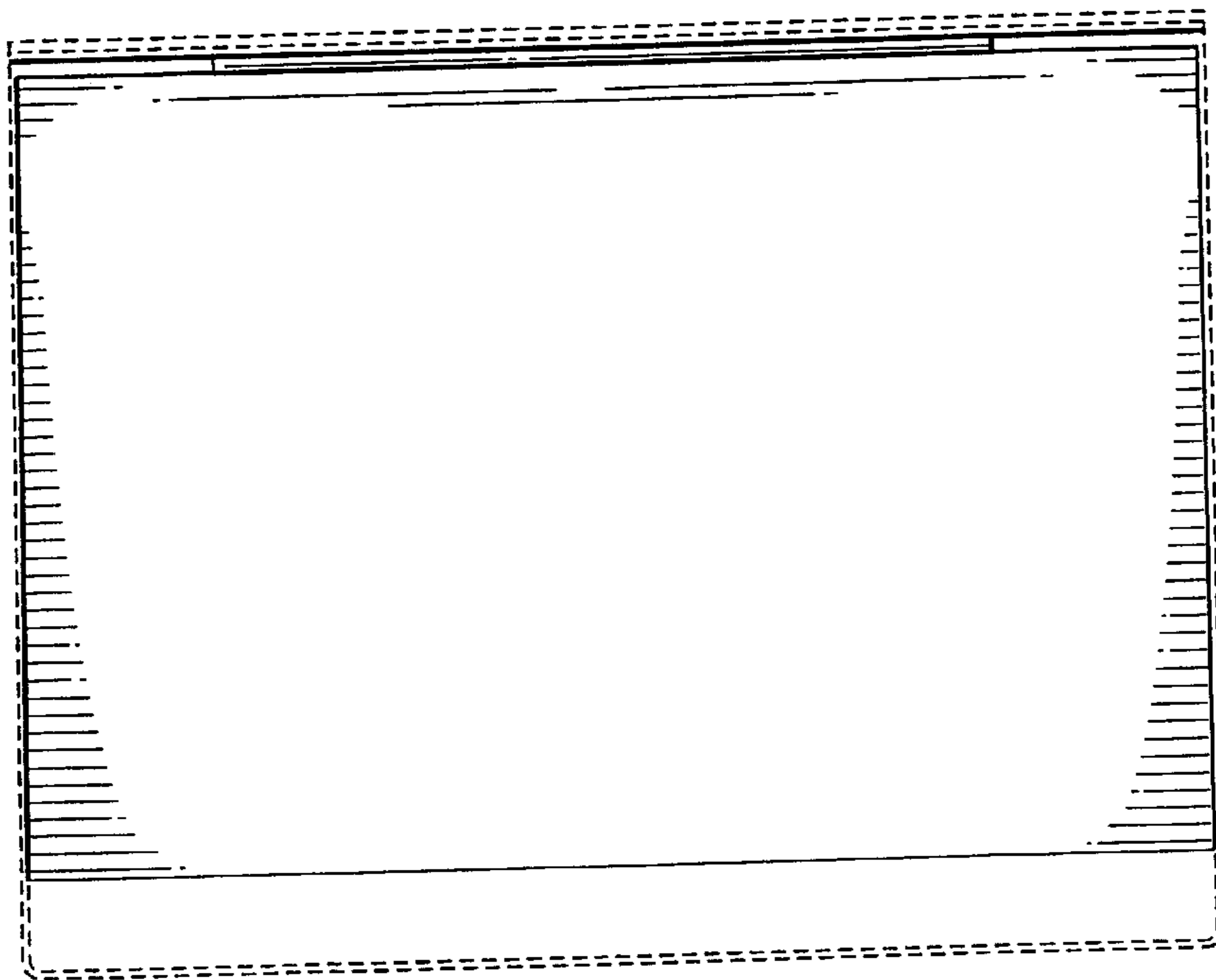


FIG. 2

FIG. 3

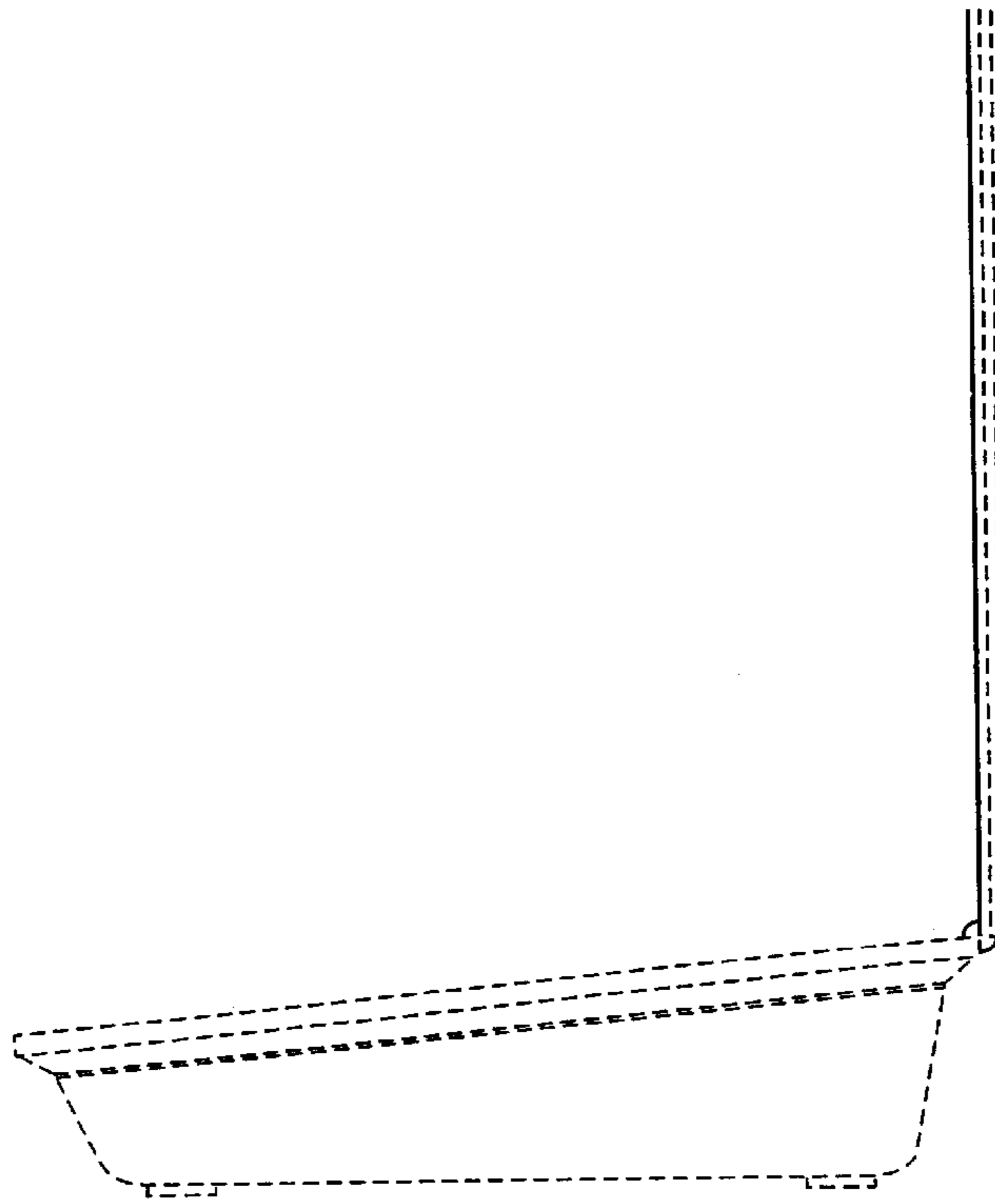
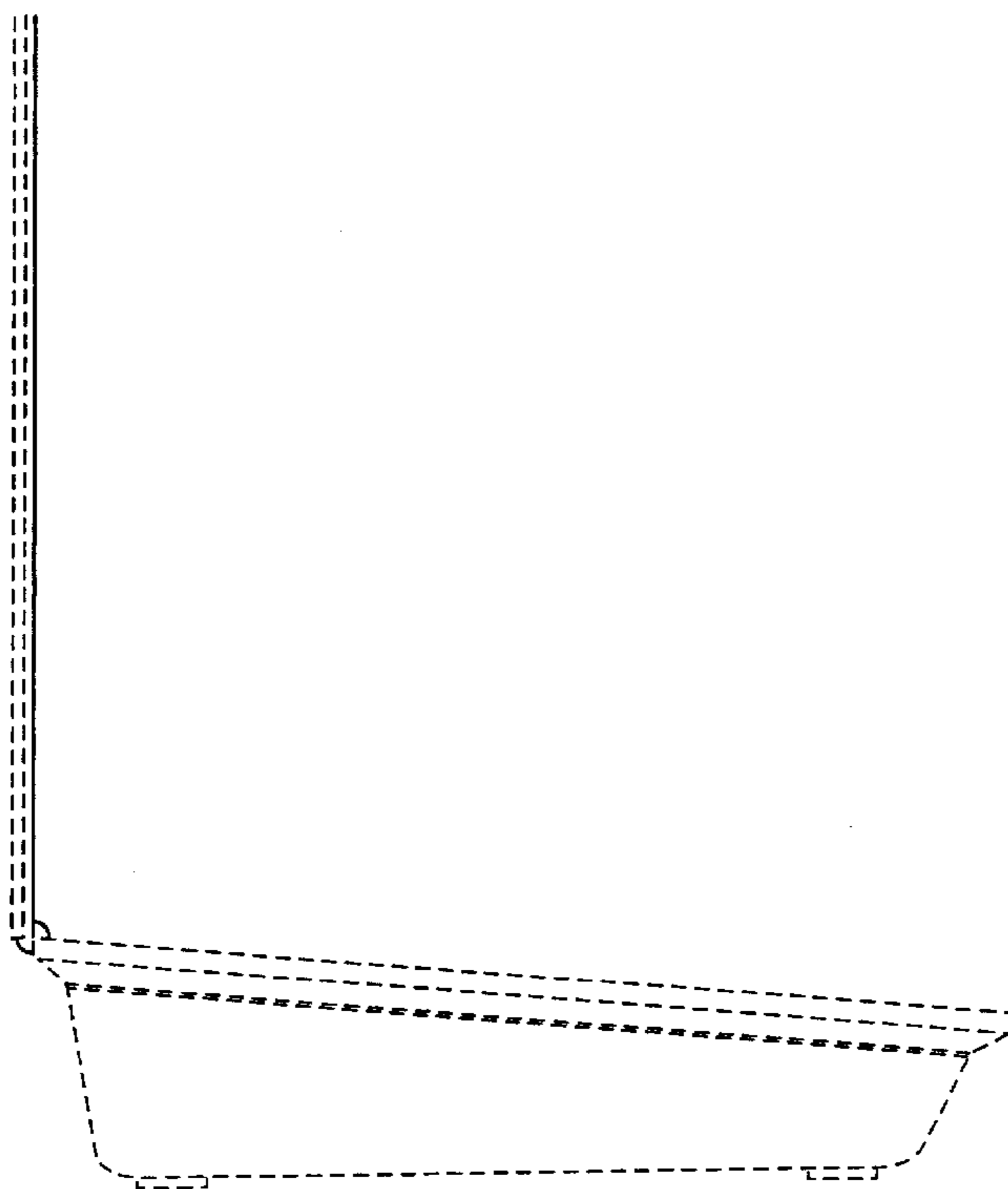


FIG. 4



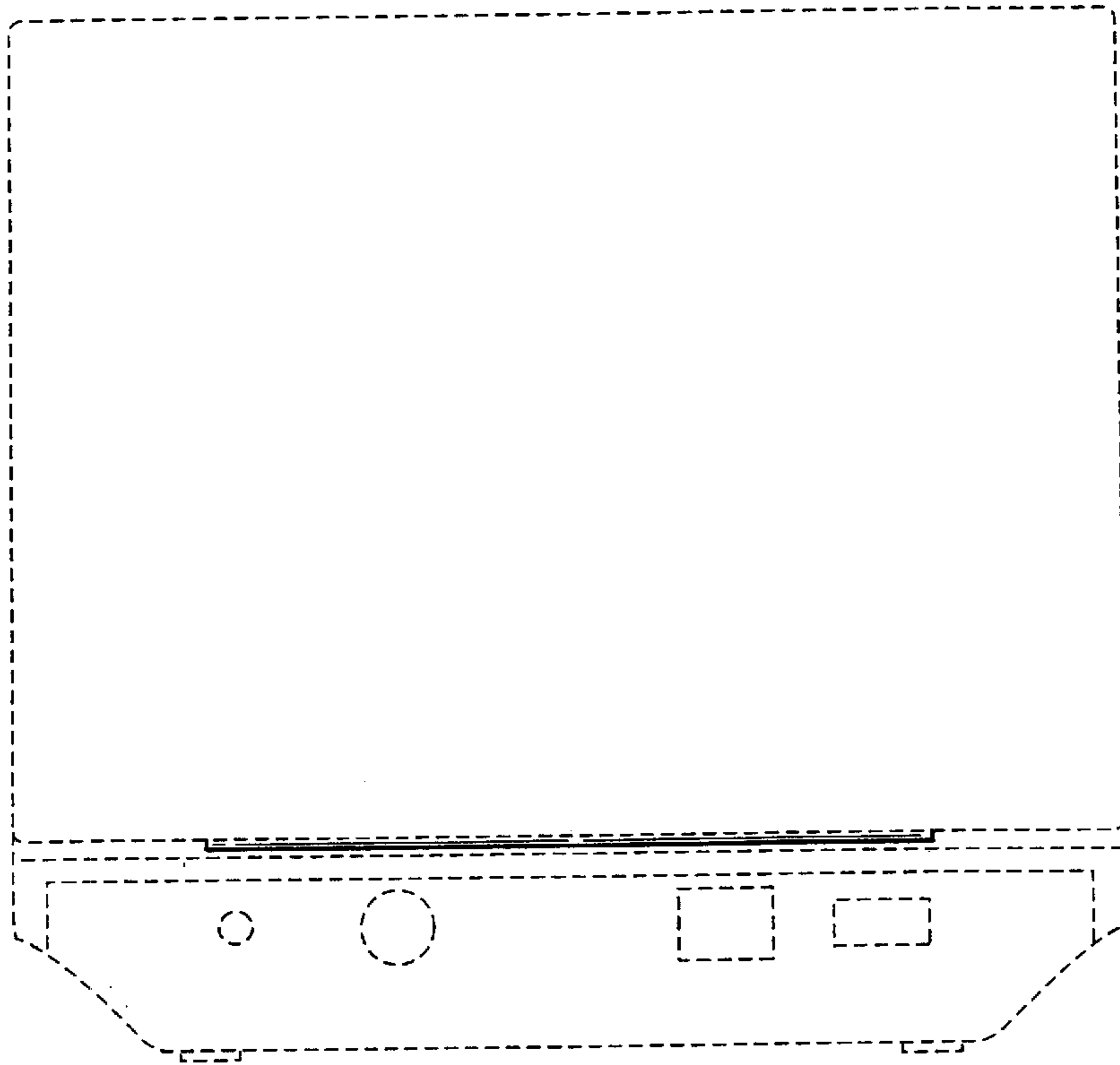


FIG. 5

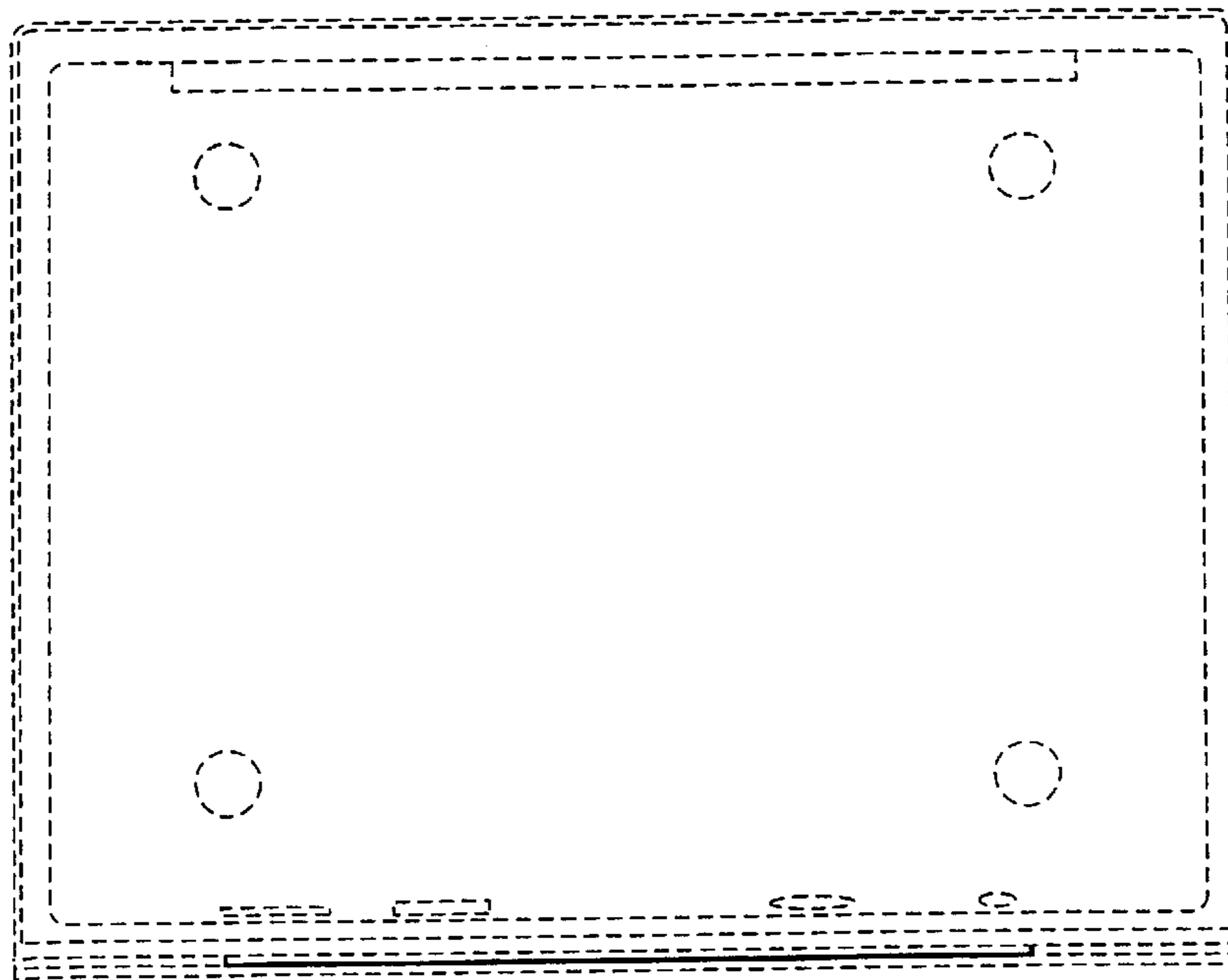


FIG. 6

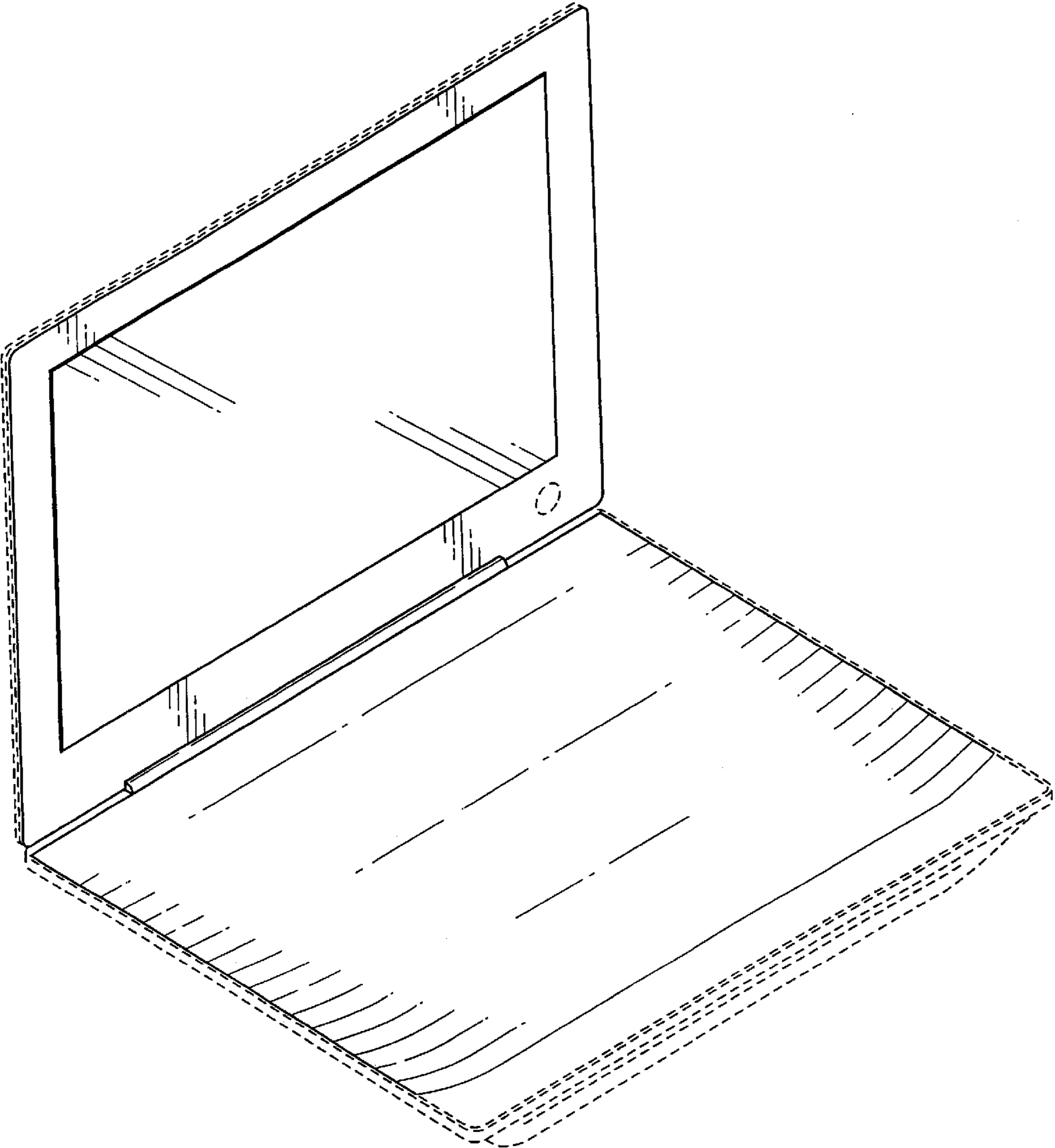


FIG. 7