

US00D540802S

(12) **United States Design Patent**
Hussaini et al.

(10) **Patent No.: US D540,802 S**

(45) **Date of Patent: ** Apr. 17, 2007**

(54) **DOCKING STATION FOR ELECTRONIC DEVICE**

(75) Inventors: **Saied Hussaini**, Miami, FL (US); **Marc Iacovelli**, Miami, FL (US)

(73) Assignee: **Intec, Inc.**, Miami, FL (US)

(**) Term: **14 Years**

(21) Appl. No.: **29/231,806**

(22) Filed: **Jun. 10, 2005**

(51) **LOC (8) Cl.** **14-02**

(52) **U.S. Cl.** **D14/434**

(58) **Field of Classification Search** D14/434,
D14/447, 432, 433, 385, 357, 149, 457, 253,
D14/251, 356; D13/199, 107, 108, 118; 361/600,
361/679, 683, 686; 200/6 R; 206/701; 320/113-115,
320/107; 379/426; 455/557, 556.1, 556.2;
345/156, 901, 905; 439/374, 131, 529, 534,
439/929, 346, 31, 640; 235/472.01; 248/309.1,
248/221.11; 429/100

See application file for complete search history.

(56) **References Cited**

U.S. PATENT DOCUMENTS

- D277,662 S * 2/1985 Huntington et al. D13/107
- D281,064 S * 10/1985 Scheid D13/107
- 5,619,397 A * 4/1997 Honda et al. 361/686
- D420,989 S * 2/2000 Sandhu et al. D14/447
- D429,487 S * 8/2000 Loh et al. D14/447
- D442,141 S * 5/2001 Ikenaga D13/107
- 6,290,534 B1 * 9/2001 Sadler 439/534
- D457,162 S * 5/2002 Hawkins et al. D14/434

- D458,266 S * 6/2002 Herath D14/434
- D465,532 S * 11/2002 Hussaini et al. D21/333
- D469,097 S * 1/2003 Liu D14/434
- D472,900 S * 4/2003 Matsumoto D14/447
- D475,011 S * 5/2003 Kataoka D13/108
- D483,052 S * 12/2003 Utsunomiya D16/242
- D487,897 S * 3/2004 Huang et al. D14/434
- D511,520 S * 11/2005 Hussaini et al. D14/434

* cited by examiner

Primary Examiner—M. H. Tung

Assistant Examiner—Susan Moon Lee

(74) *Attorney, Agent, or Firm*—Berenato, White & Stavish

(57) **CLAIM**

We claim the ornamental design for a docking station for electronic device, as shown and described.

DESCRIPTION

FIG. 1 is a perspective view of the docking station for electronic device according to the present invention.

FIG. 2 is a front view of the docking station for electronic device of FIG. 1.

FIG. 3 is a rear view of the docking station for electronic device of FIG. 1.

FIG. 4 is a right side view of the docking station for electronic device of FIG. 1.

FIG. 5 is a left side view of the docking station for electronic device of FIG. 1.

FIG. 6 is a top view of the docking station for electronic device of FIG. 1; and,

FIG. 7 is a bottom view of the docking station for electronic device of FIG. 1.

1 Claim, 7 Drawing Sheets

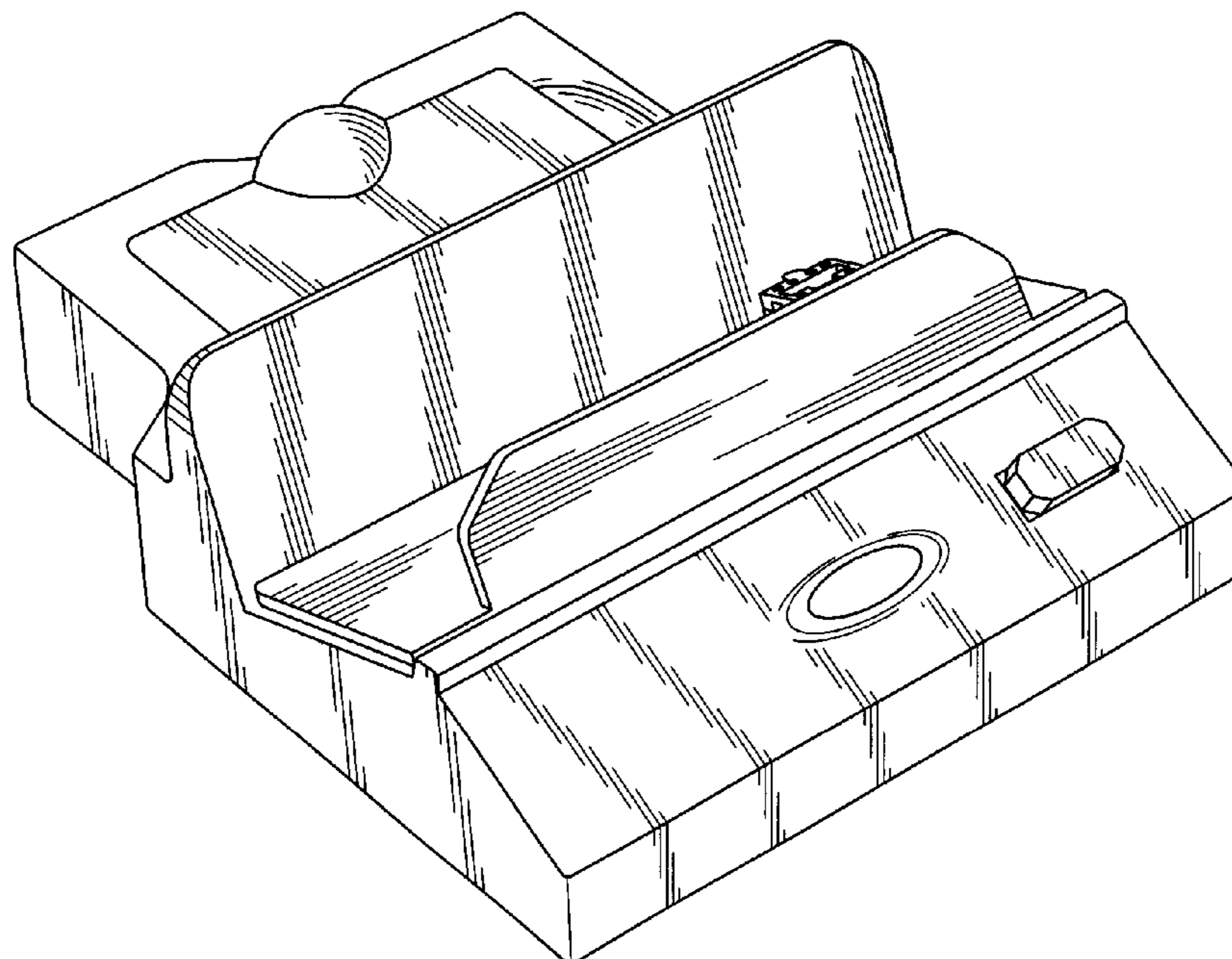


Fig. 1

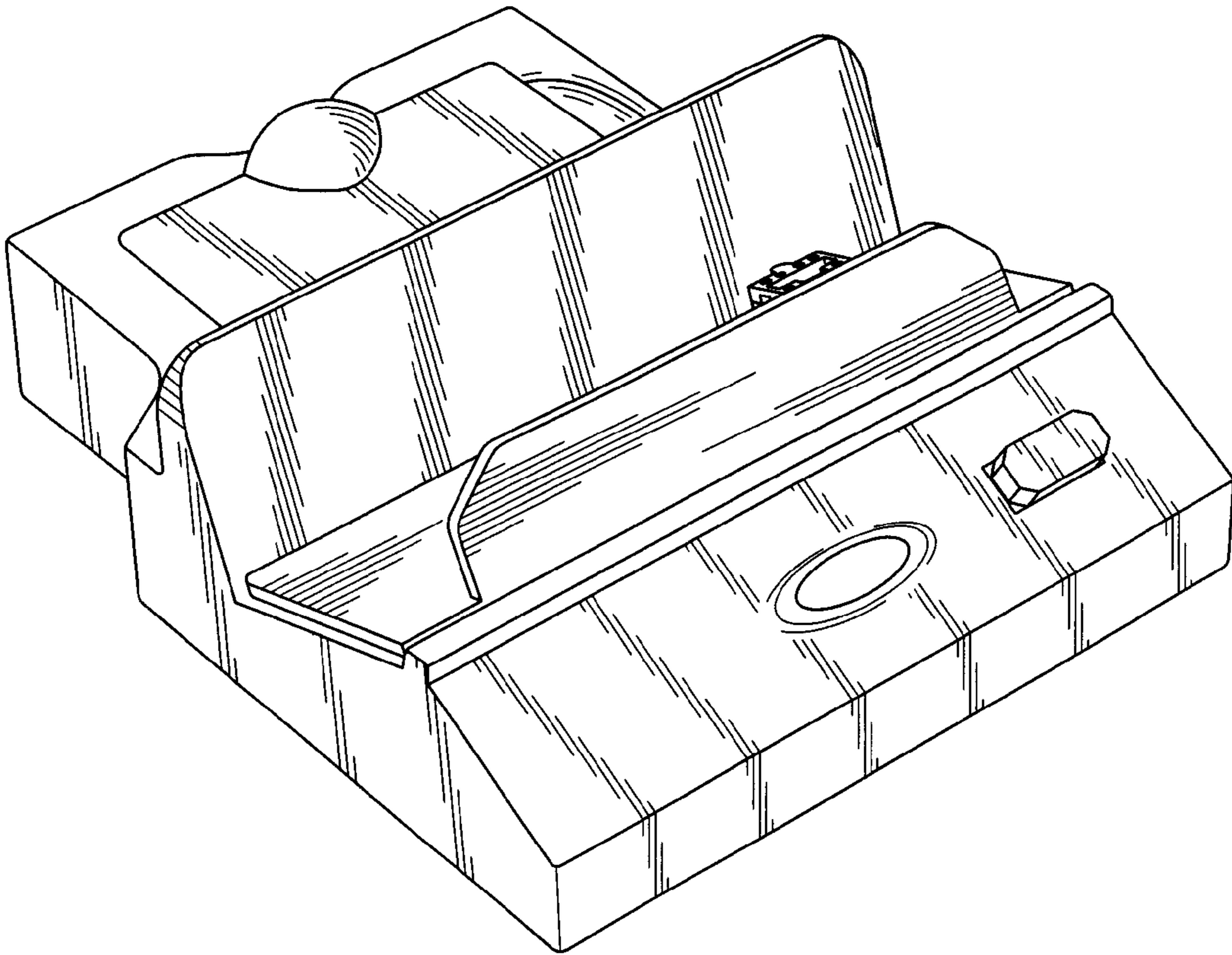


Fig. 2

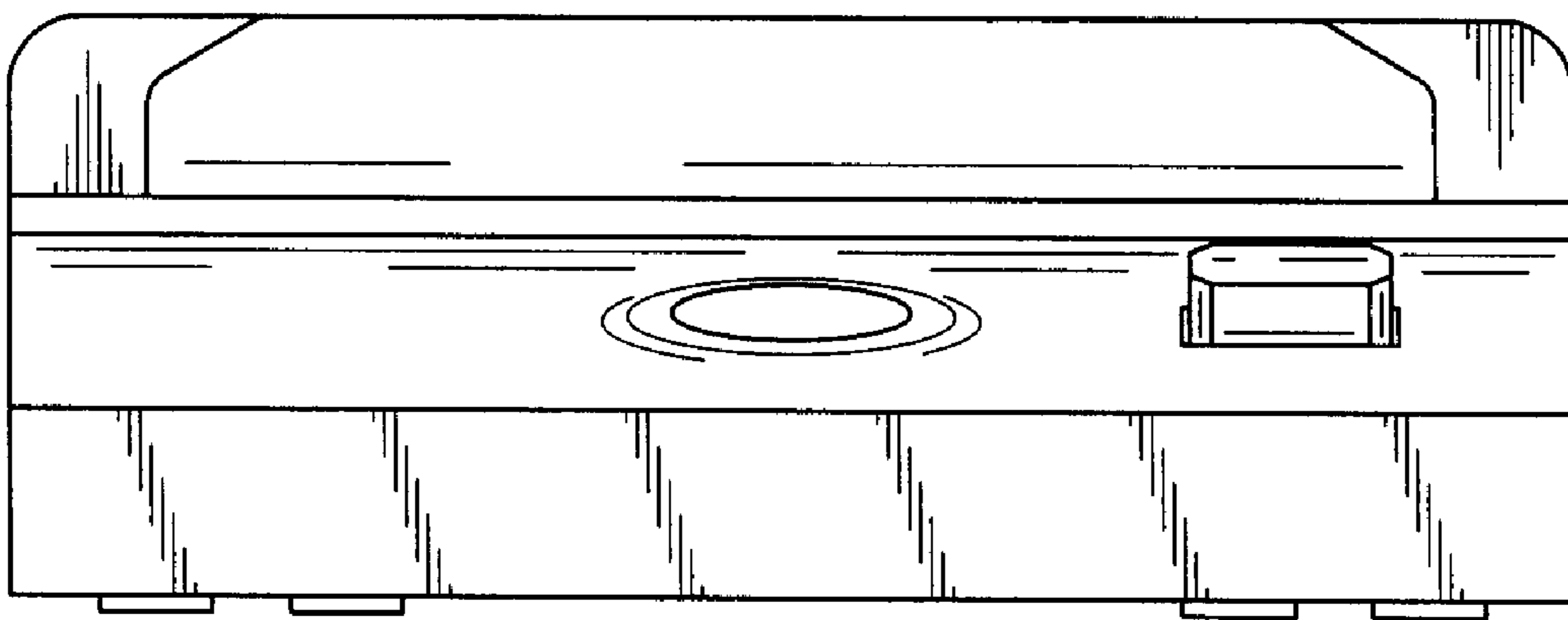


Fig. 3

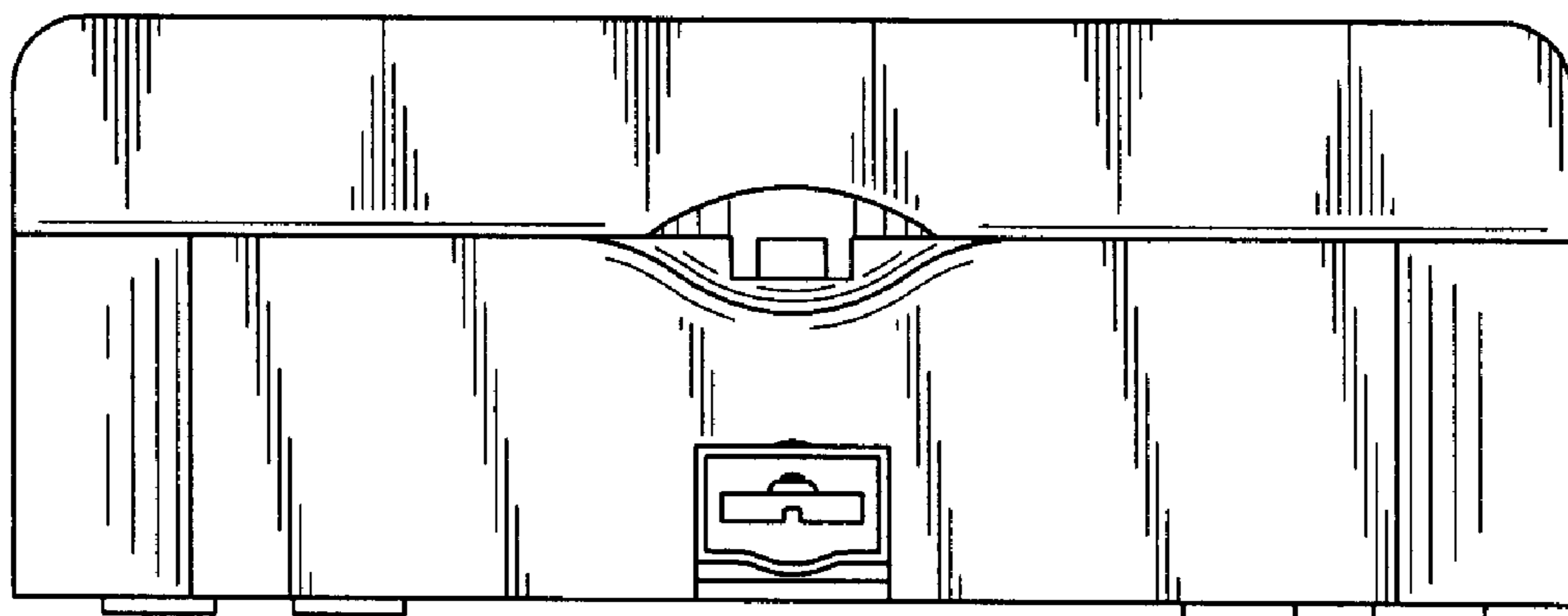


Fig. 4

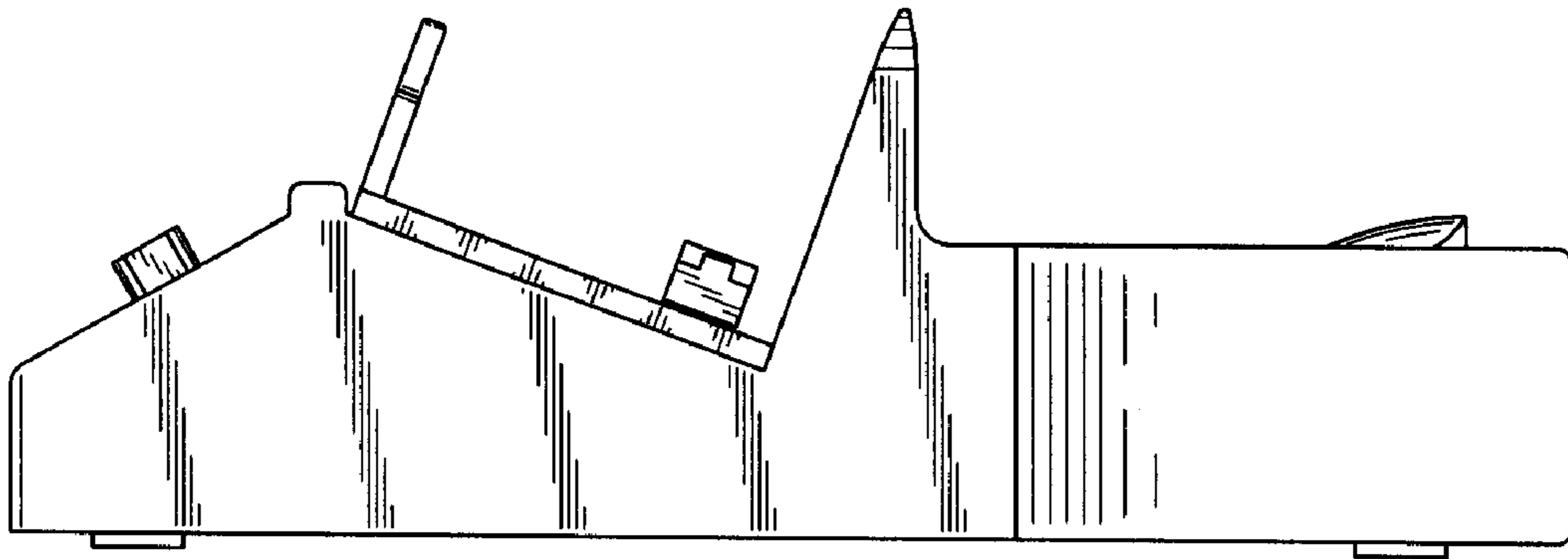


Fig. 5

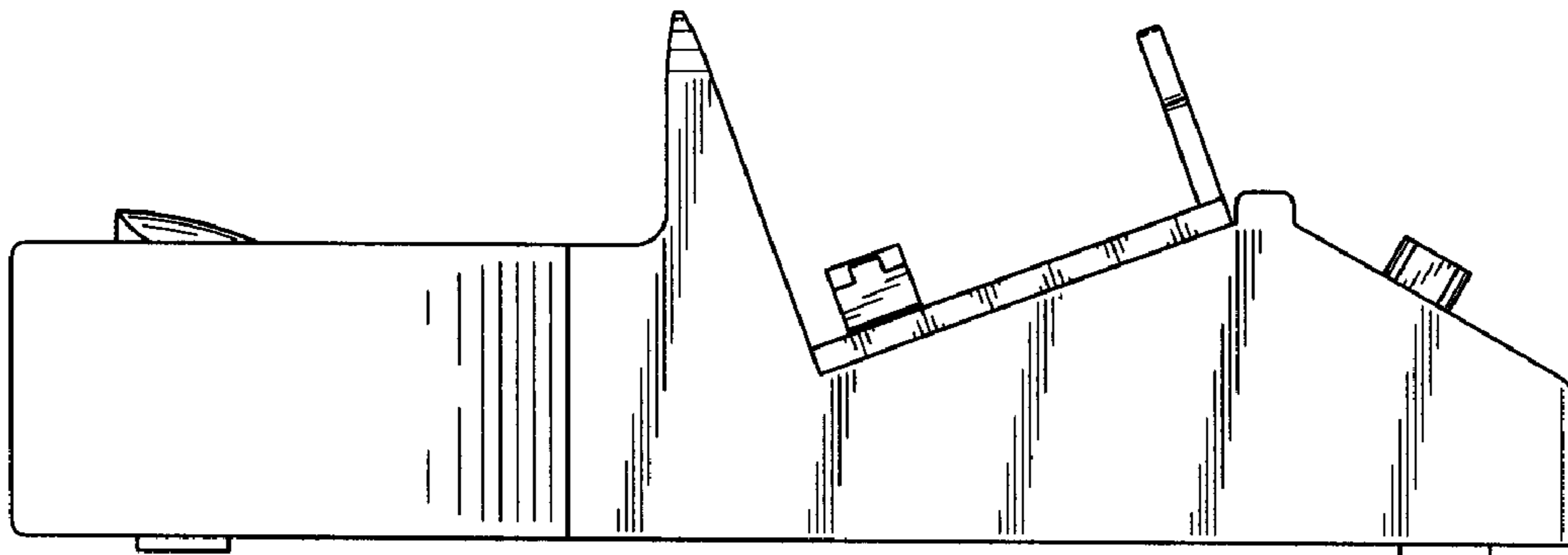


Fig. 6

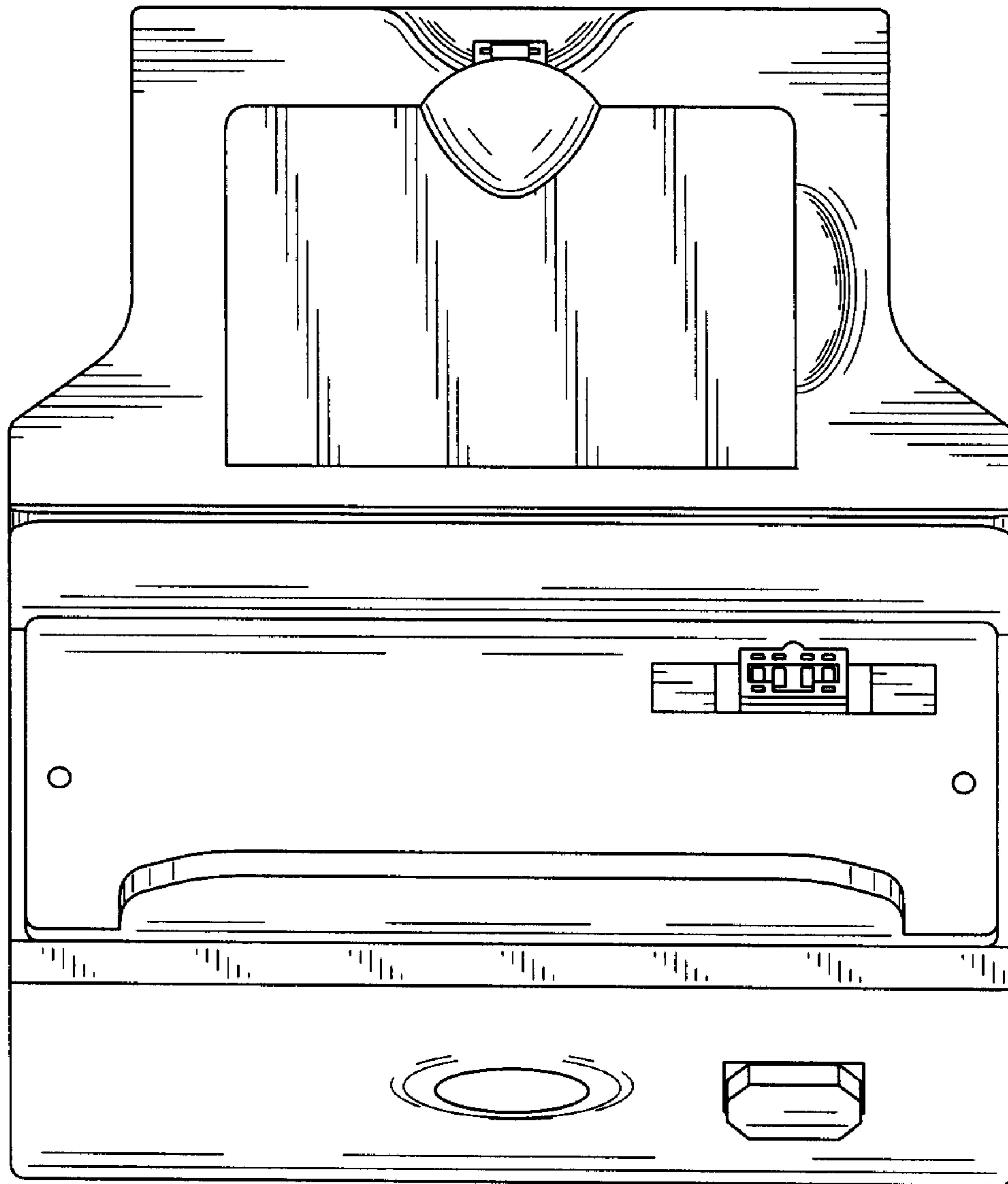


Fig. 7

