

US00D540798S

(12) **United States Design Patent**
Orthey

(10) **Patent No.:** **US D540,798 S**

(45) **Date of Patent:** **** Apr. 17, 2007**

(54) **COMPACT CONTACT SMART CARD
READER**

(75) Inventor: **Markus Orthey**, Mainz (DE)

(73) Assignee: **Omniskey GmbH** (DE)

(**) Term: **14 Years**

(21) Appl. No.: **29/242,502**

(22) Filed: **Nov. 9, 2005**

(51) **LOC (8) Cl.** **14-02**

(52) **U.S. Cl.** **D14/385**

(58) **Field of Classification Search** D14/383-388,
D14/420, 426, 407, 428; 235/380, 382, 382.5,
235/462.01, 462.11, 462.22, 462.32, 472.01,
235/375; 361/752

See application file for complete search history.

(56) **References Cited**

U.S. PATENT DOCUMENTS

D377,346 S	*	1/1997	Karlin	D14/426
D381,640 S	*	7/1997	Drennan et al.	D14/407
D426,237 S	*	6/2000	Wranne	D14/385
D467,921 S	*	12/2002	Lin	D14/385
D502,947 S	*	3/2005	Zhang et al.	D14/385

6,955,292 B2 * 10/2005 Nakamura et al. 235/375

* cited by examiner

Primary Examiner—Freda S. Nunn

(74) *Attorney, Agent, or Firm*—Sheridan Ross P.C.

(57) **CLAIM**

The ornamental design for a compact contact smart card reader, as shown and described.

DESCRIPTION

FIG. 1 is a three-quarter perspective view showing the bottom of a compact contact smart card reader;

FIG. 2 is a three-quarter perspective view showing the top of the compact contact smart card reader of FIG. 1;

FIG. 3 is a front elevation view of the embodiment of FIG. 1;

FIG. 4 is a bottom plan view of the embodiment of FIG. 1;

FIG. 5 is a left-side elevation view of the embodiment of FIG. 1;

FIG. 6 is a top plan view of the embodiment of FIG. 1;

FIG. 7 is a right-side elevation view of the embodiment of FIG. 1; and,

FIG. 8 is a rear elevation view of the embodiment of FIG. 1.

1 Claim, 2 Drawing Sheets

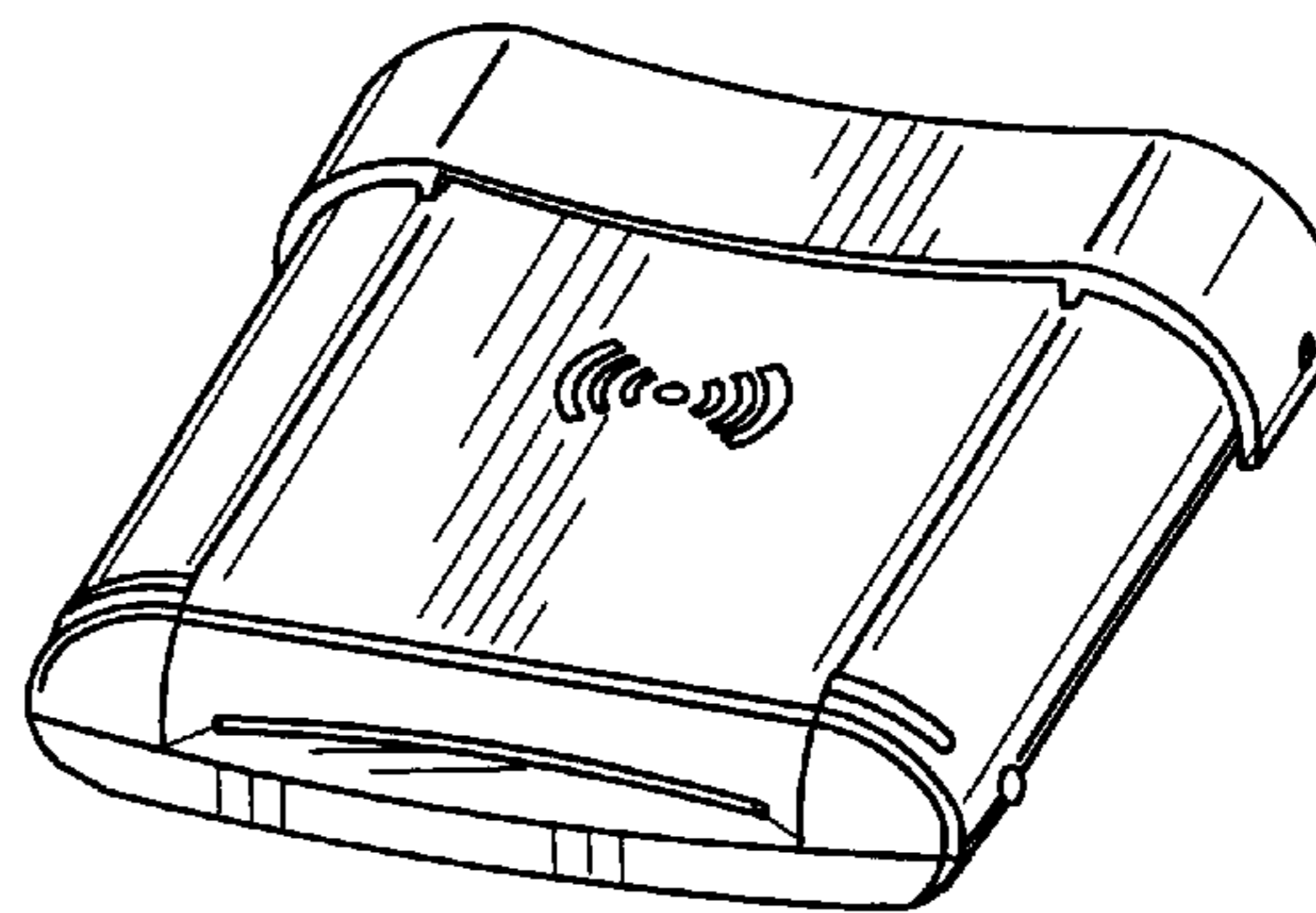
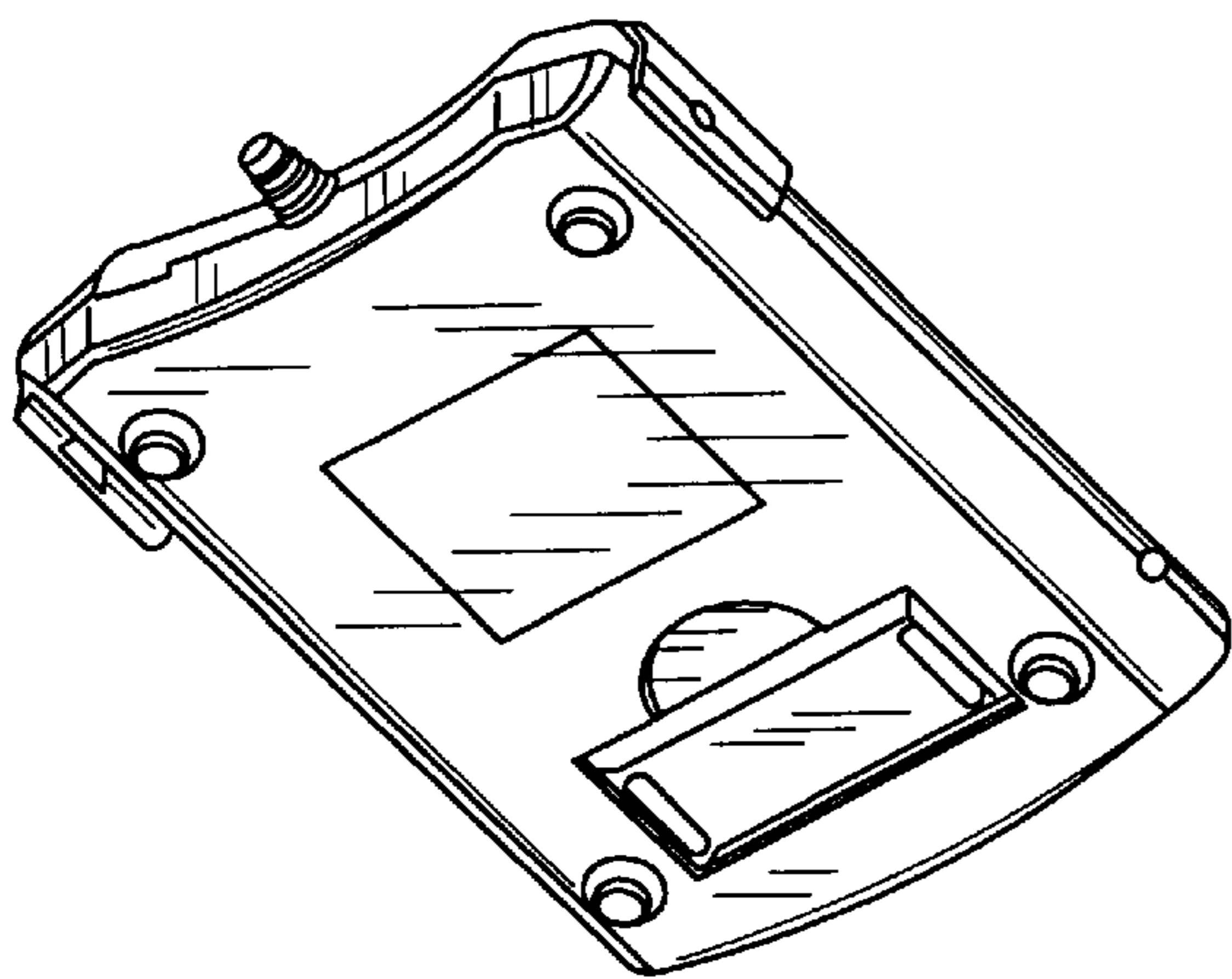


Fig. 1

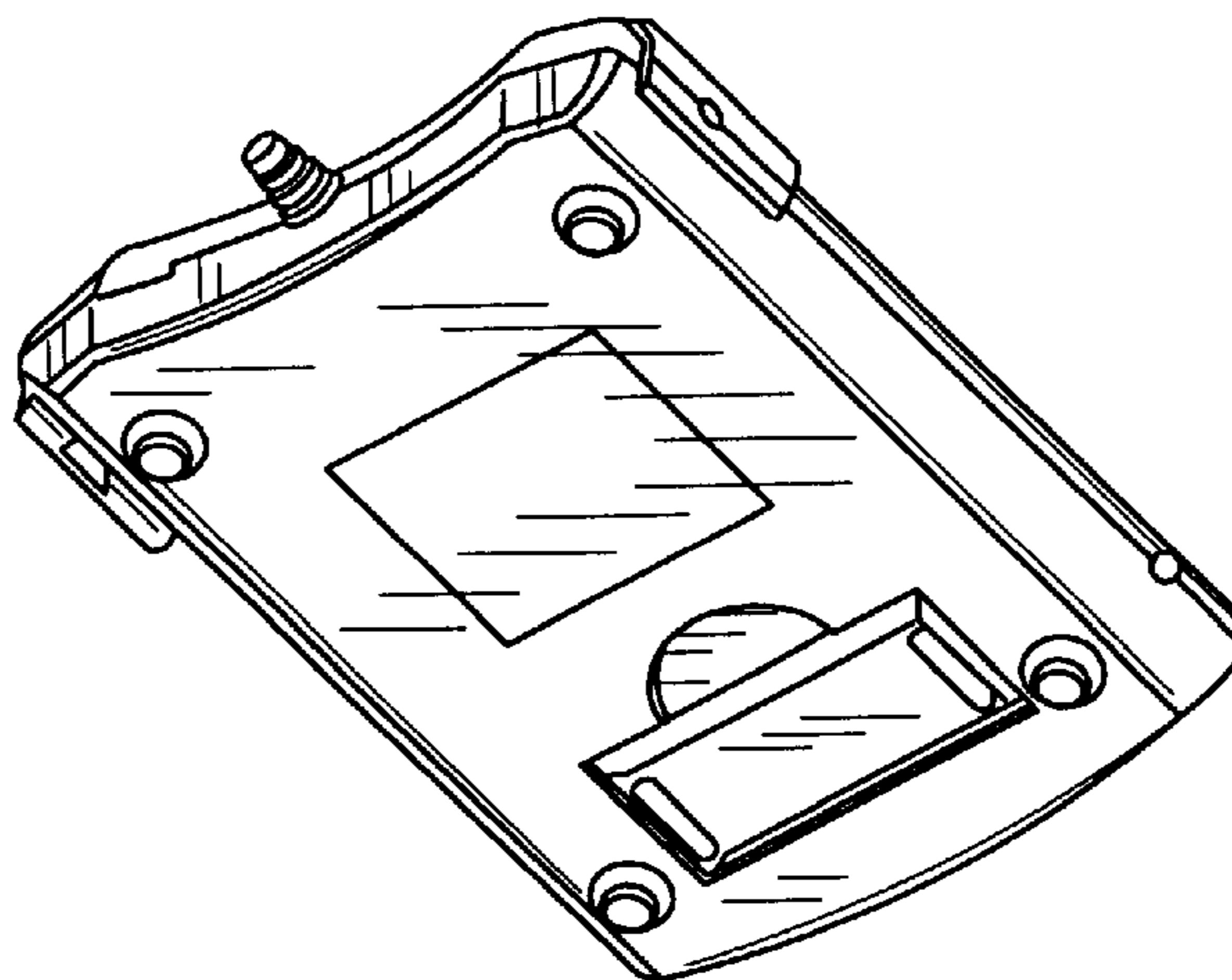
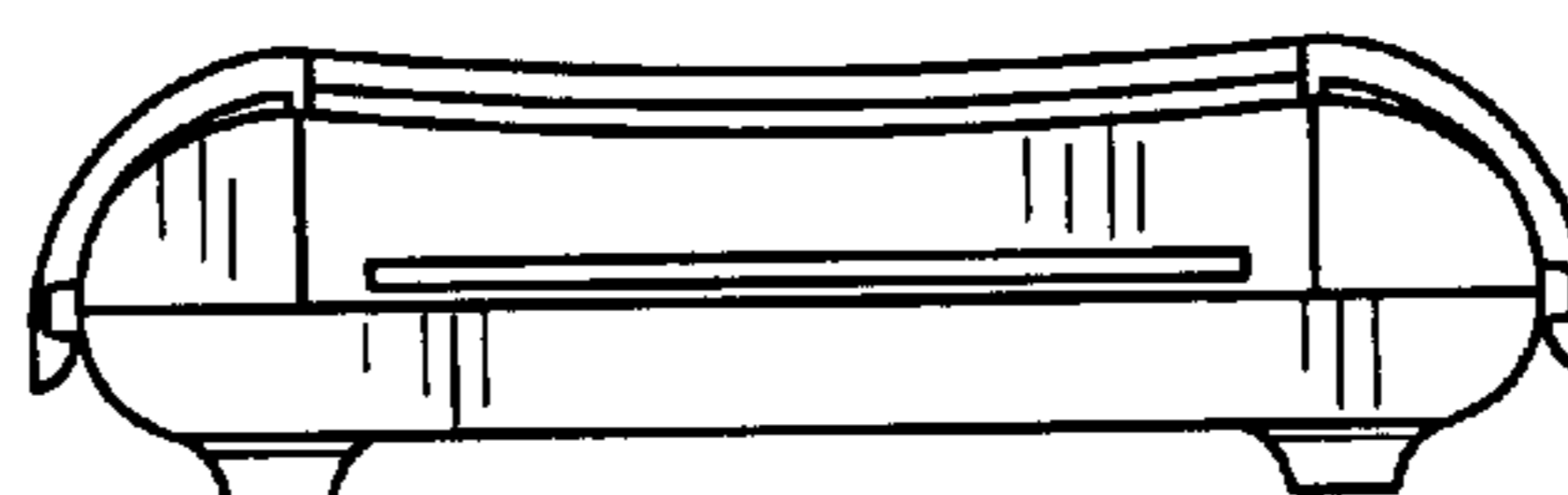


Fig. 2



Fig. 3



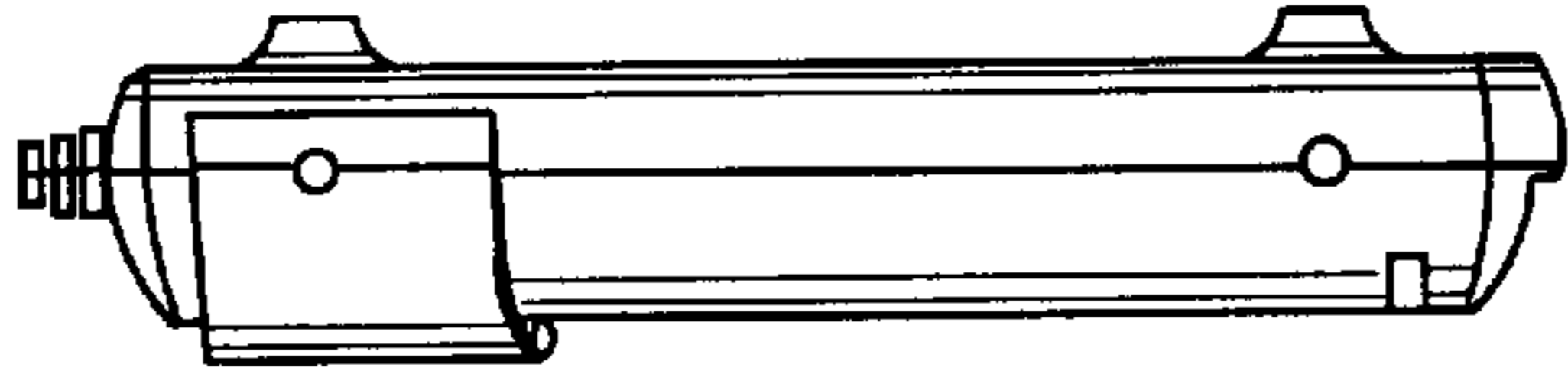


Fig. 7

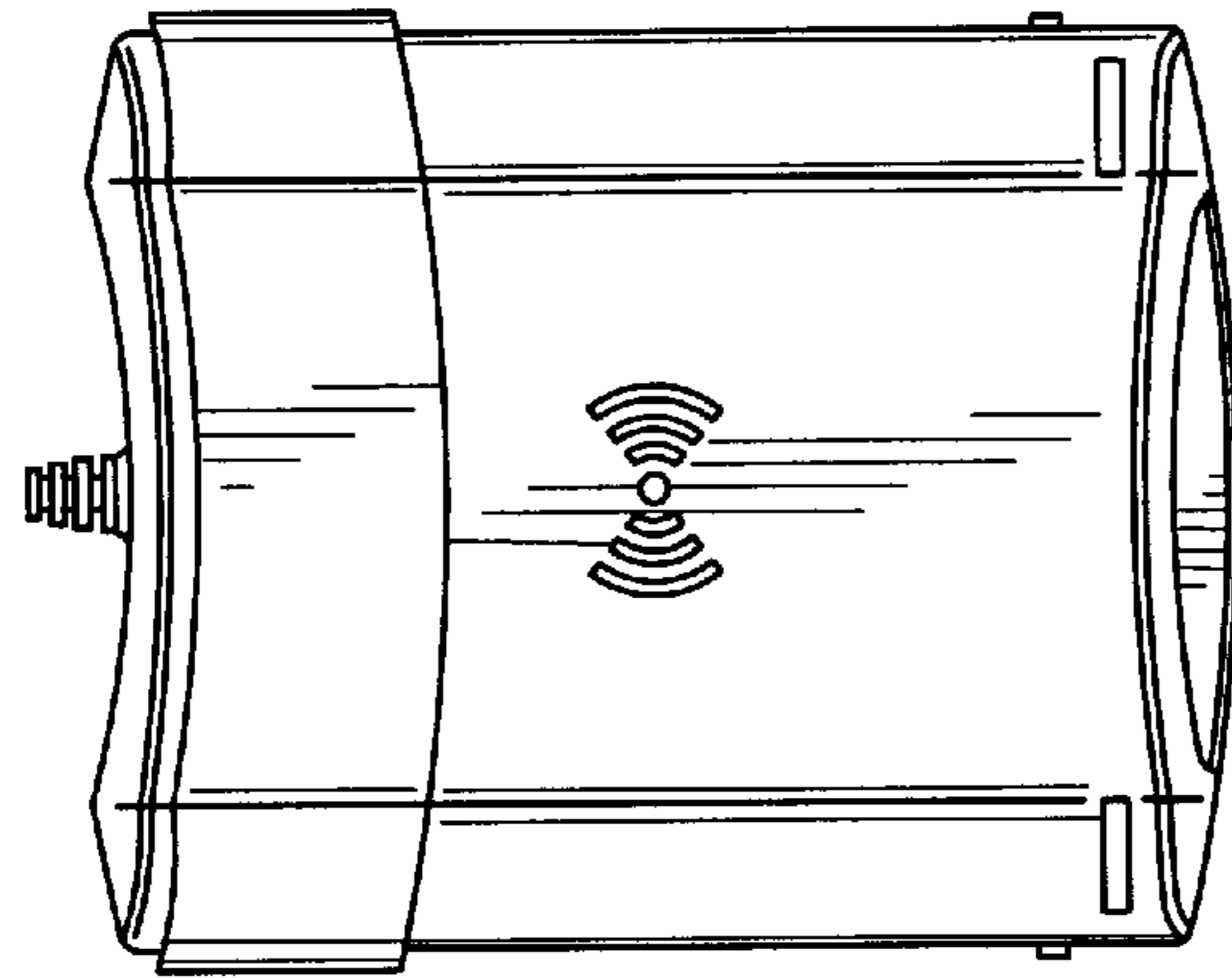


Fig. 6

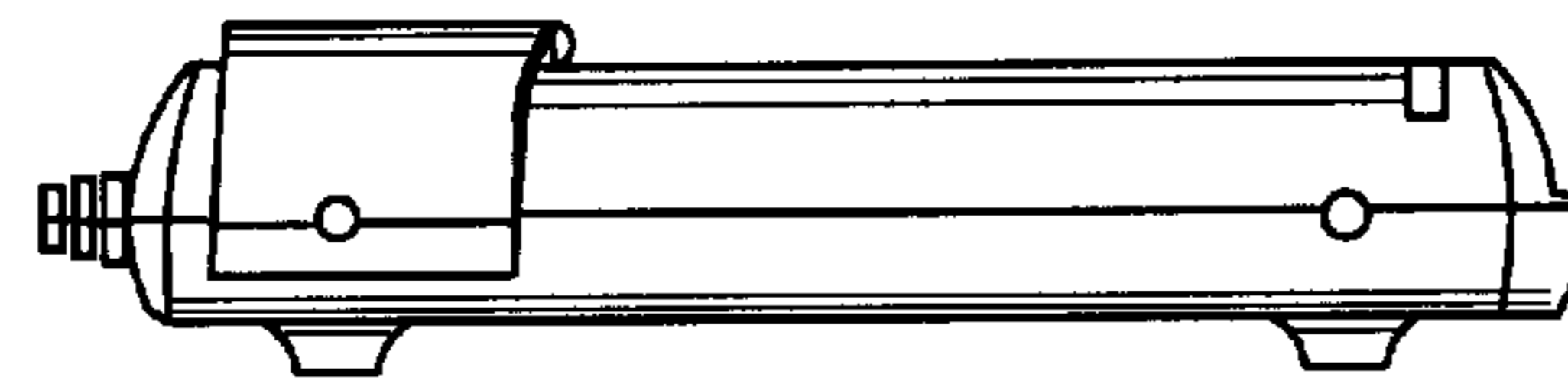


Fig. 5

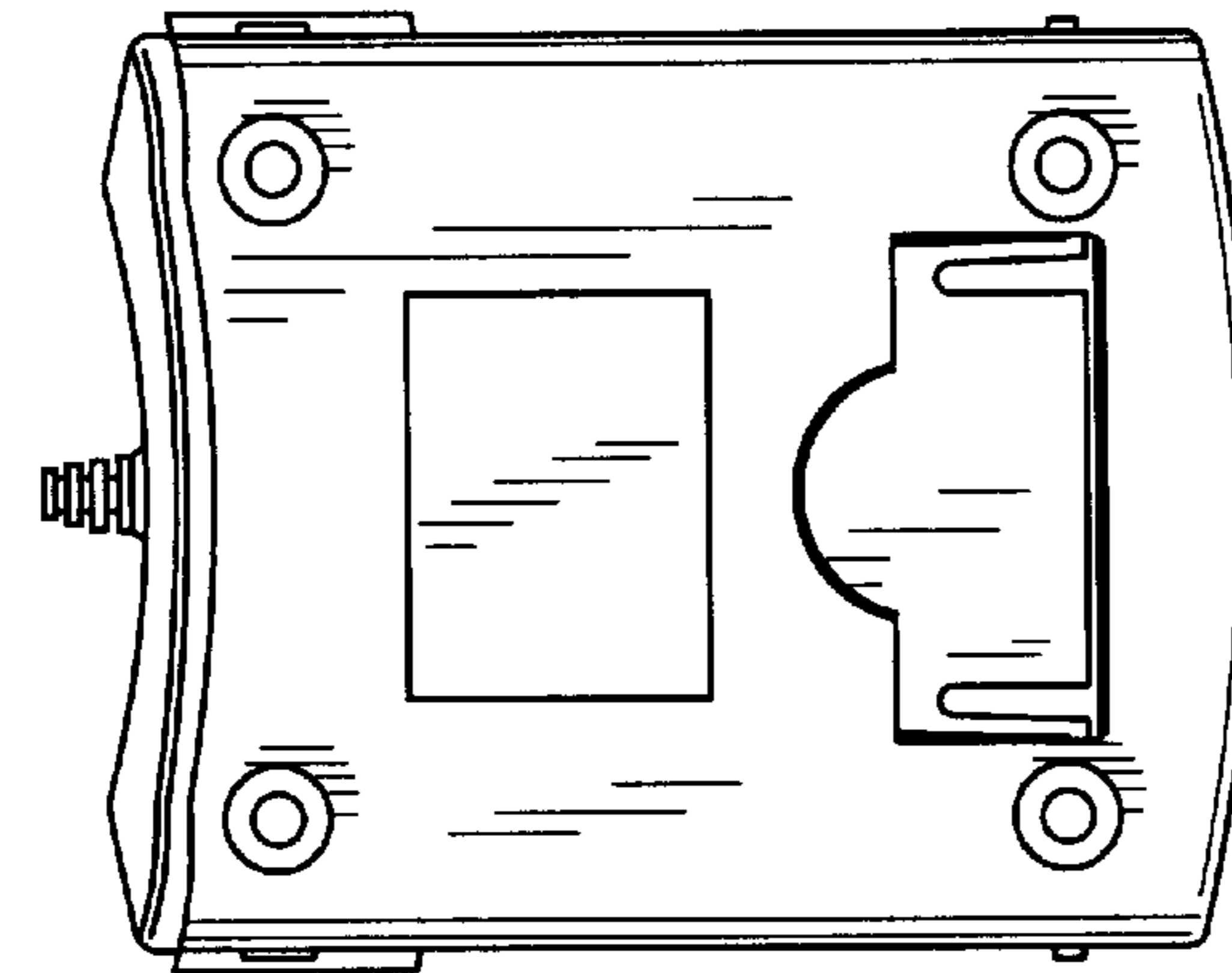


Fig. 4

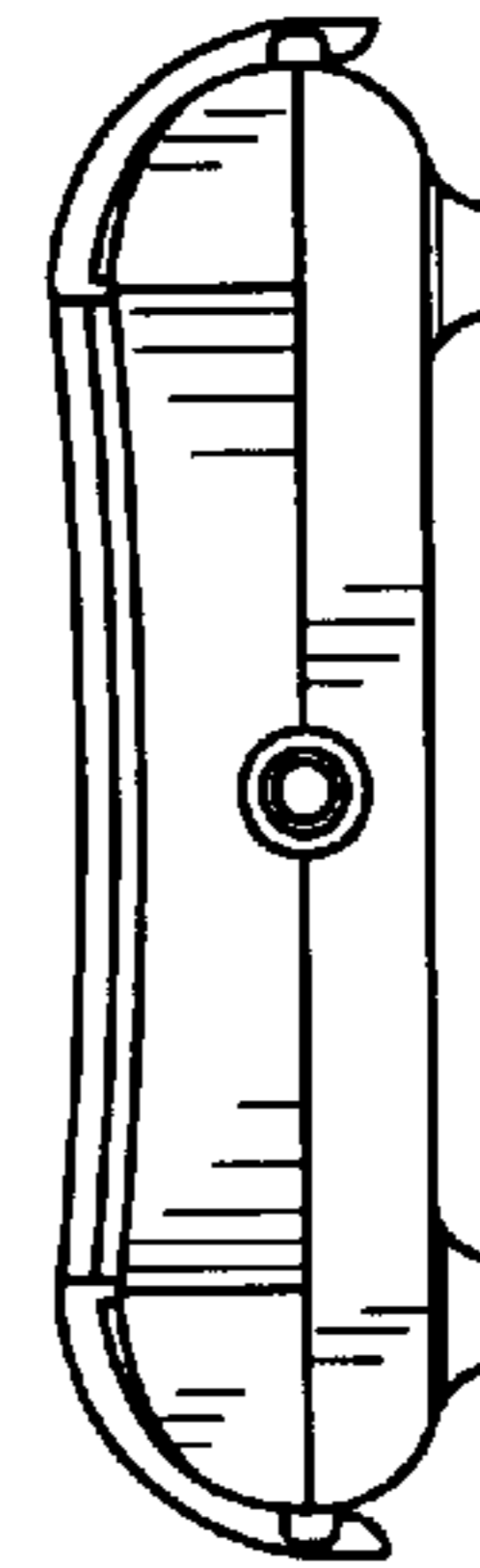


Fig. 8