



US00D540795S

(12) **United States Design Patent**  
**Takahashi**

(10) **Patent No.:** **US D540,795 S**  
(45) **Date of Patent:** **\*\* Apr. 17, 2007**

(54) **COMBINED MONITOR DISPLAY AND CAMERA**

(75) Inventor: **Hitoshi Takahashi**, Tokyo (JP)

(73) Assignee: **Sony Corporation**, Tokyo (JP)

(\*\*) Term: **14 Years**

(21) Appl. No.: **29/244,175**

(22) Filed: **Dec. 7, 2005**

(30) **Foreign Application Priority Data**

Jun. 7, 2005 (JP) ..... 2005-016523

(51) **LOC (8) Cl.** ..... **14-02**

(52) **U.S. Cl.** ..... **D14/375; D14/317**

(58) **Field of Classification Search** ..... D14/371-375,  
D14/125-129, 317; 345/104, 156, 168, 173,  
345/901-905; 248/917-924; 348/180, 184,  
348/325, 739; 349/1, 2, 11, 62; 341/12; 361/680-686  
See application file for complete search history.

(56) **References Cited**

**U.S. PATENT DOCUMENTS**

D381,651 S \* 7/1997 Banik et al. .... D14/129  
D416,875 S \* 11/1999 Chuo et al. .... D14/375  
D424,034 S \* 5/2000 Li ..... D14/374  
D432,102 S \* 10/2000 Arie ..... D14/126  
D458,928 S \* 6/2002 Duan ..... D14/375

D471,549 S \* 3/2003 Tsuji ..... D14/375  
D491,541 S 6/2004 Kubota  
6,807,051 B2 \* 10/2004 Takahashi ..... 361/681  
D508,914 S 8/2005 Ishii

**OTHER PUBLICATIONS**

Web page "PCS-TL50" <http://www.ecat.sony.co.jp/business/videconf/products/index.cfm?PD=18644&KM=PC-S-TL50>, 1 sheet, Sony (Oct. 2005).

\* cited by examiner

*Primary Examiner*—Freda S. Nunn

(74) *Attorney, Agent, or Firm*—Rader, Fishman & Grauer, PLLC

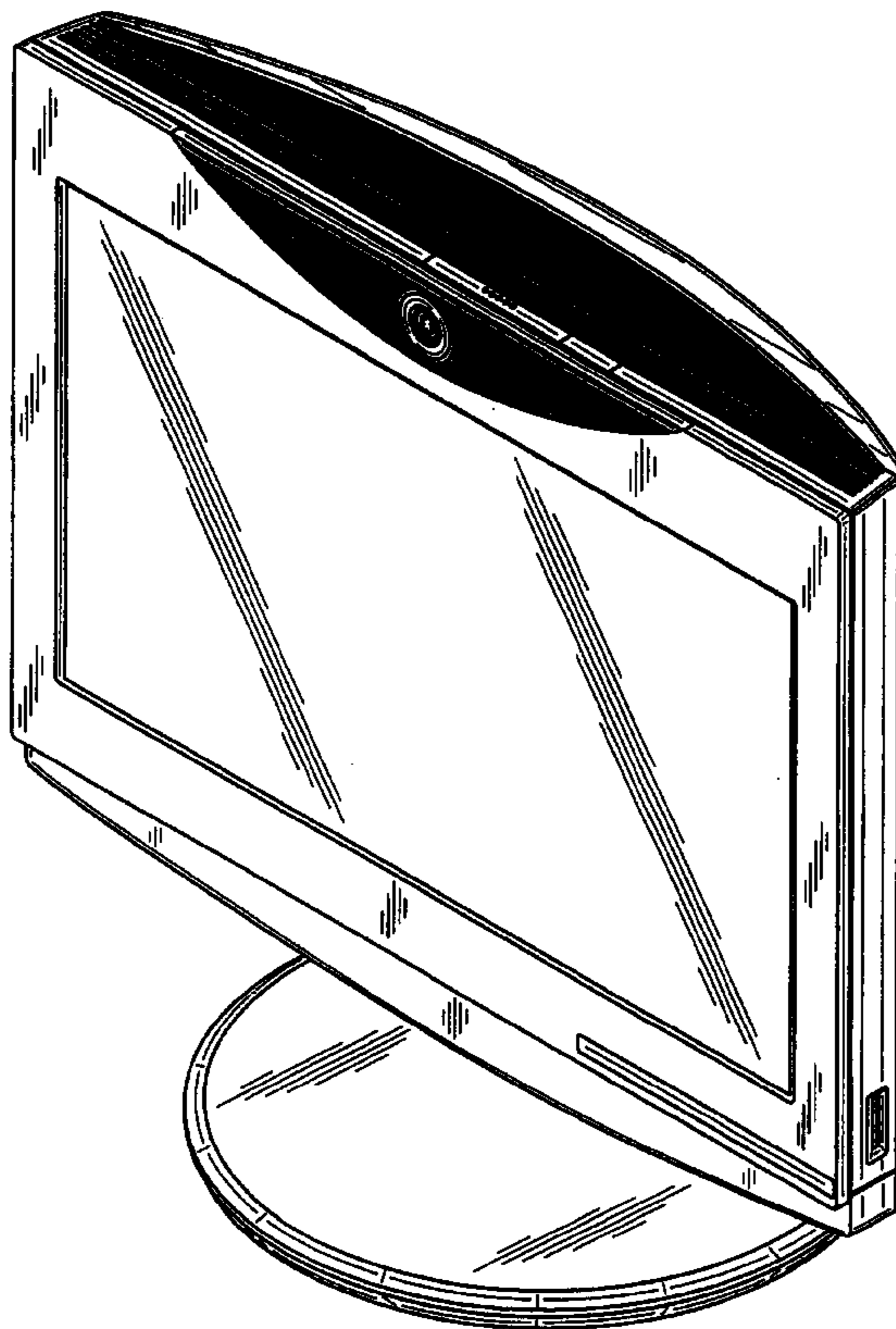
(57) **CLAIM**

The ornamental design for a combined monitor display and camera, as shown.

**DESCRIPTION**

FIG. 1 is a perspective view of a combined monitor display and camera showing my new design;  
FIG. 2 is a front elevational view thereof;  
FIG. 3 is a rear elevational view thereof;  
FIG. 4 is a left side elevational view thereof;  
FIG. 5 is a right side elevational view thereof;  
FIG. 6 is a top plan view thereof; and,  
FIG. 7 is a bottom plan view thereof.

**1 Claim, 7 Drawing Sheets**



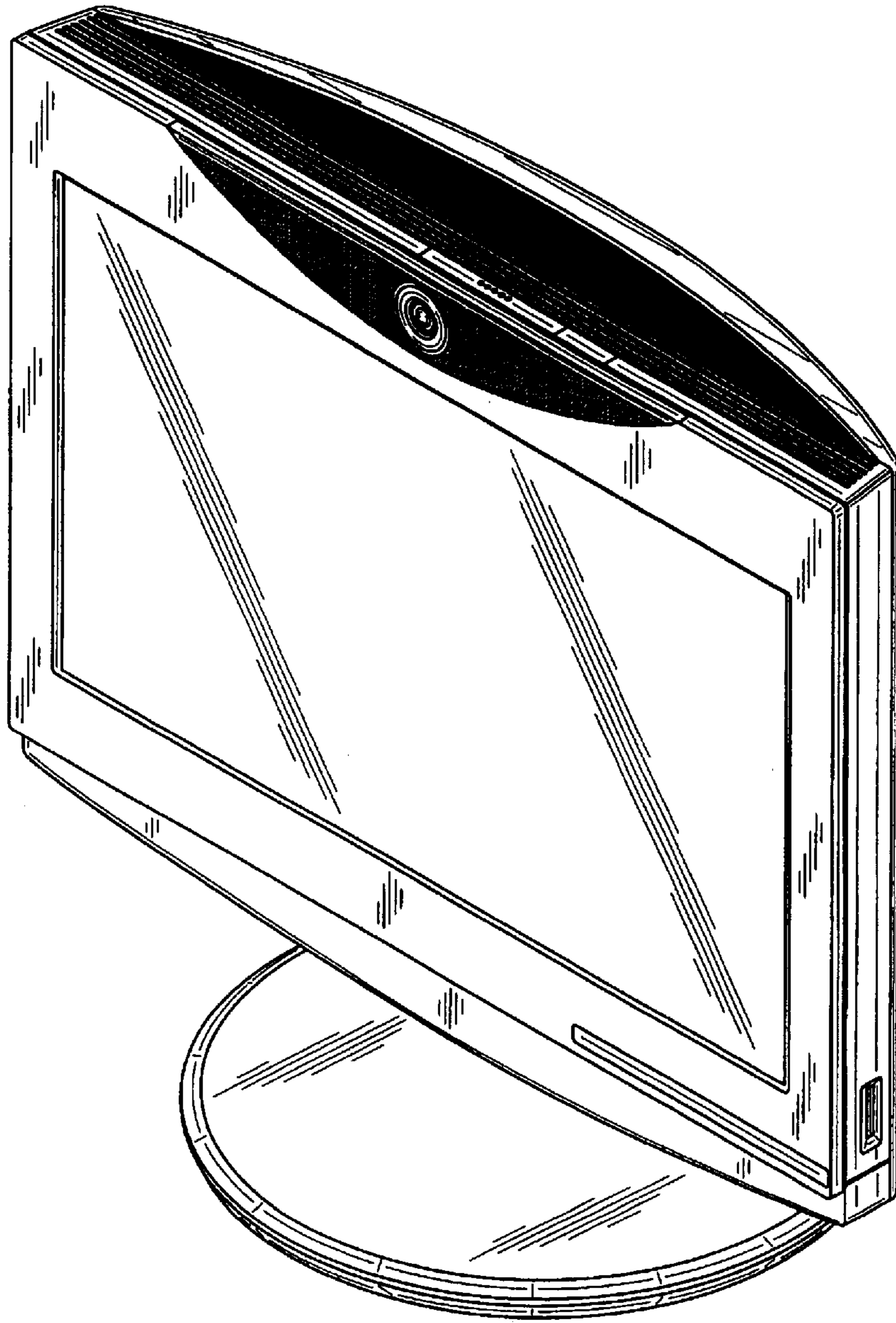


FIG. 1

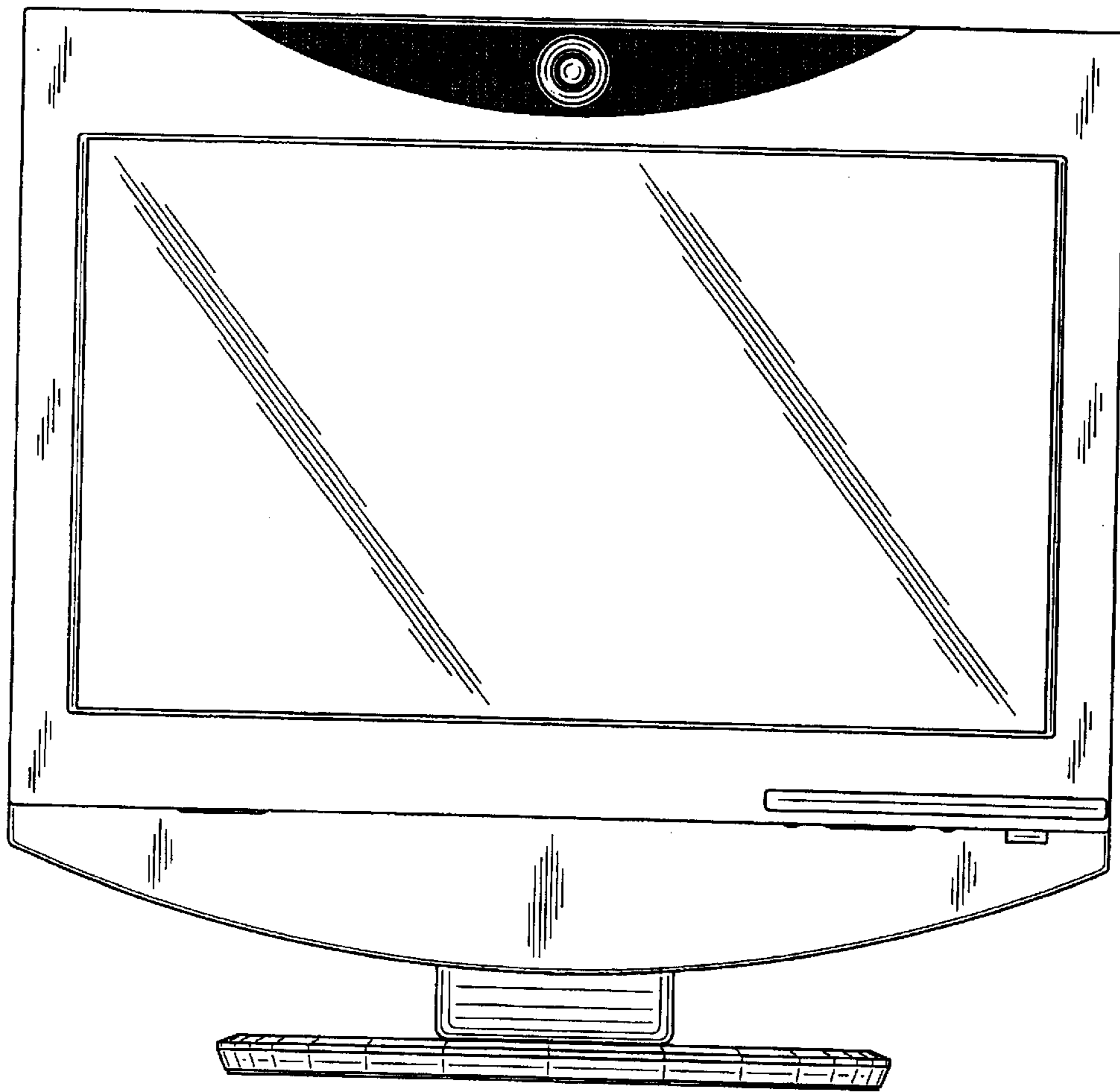


FIG. 2

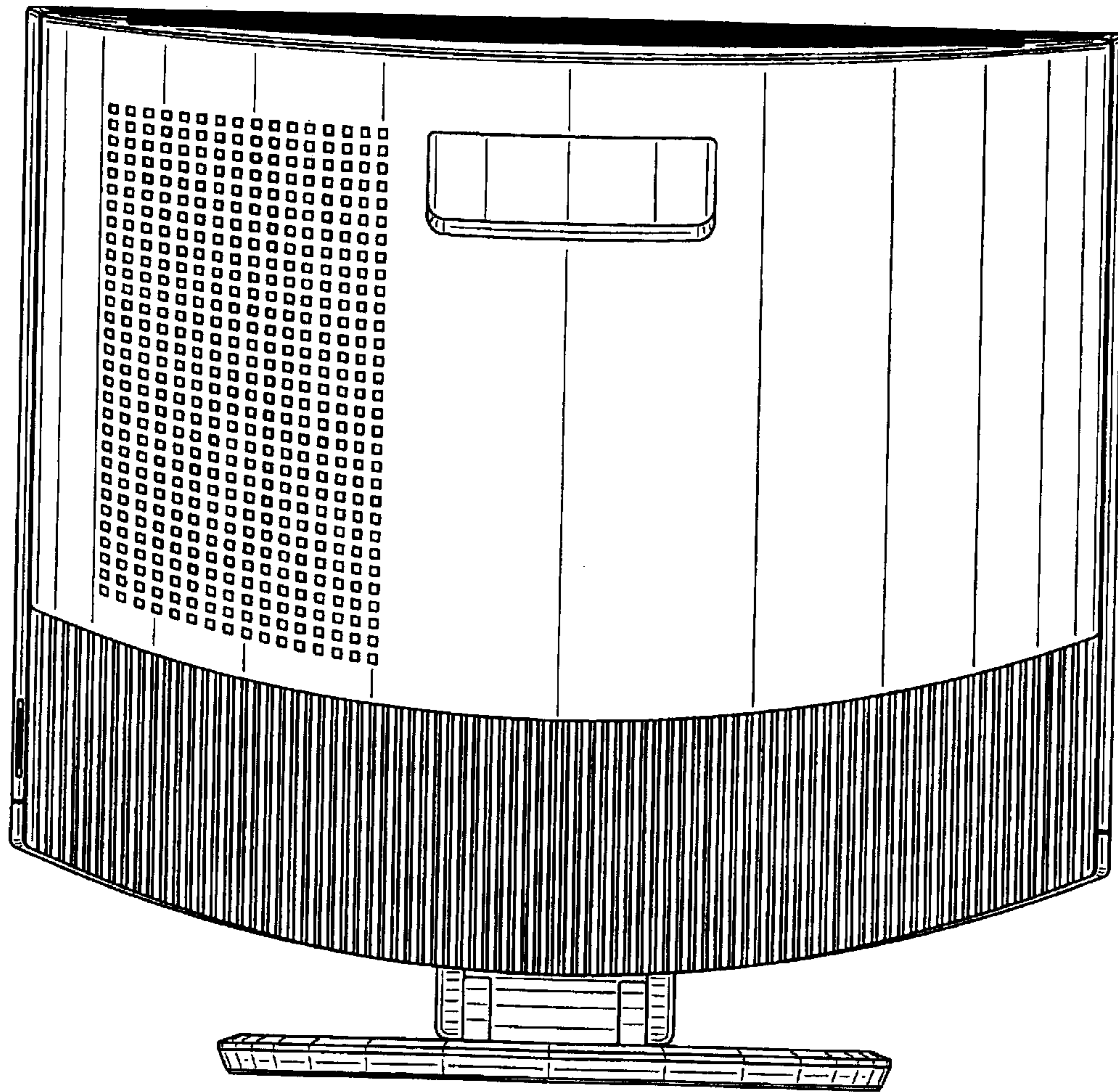


FIG. 3

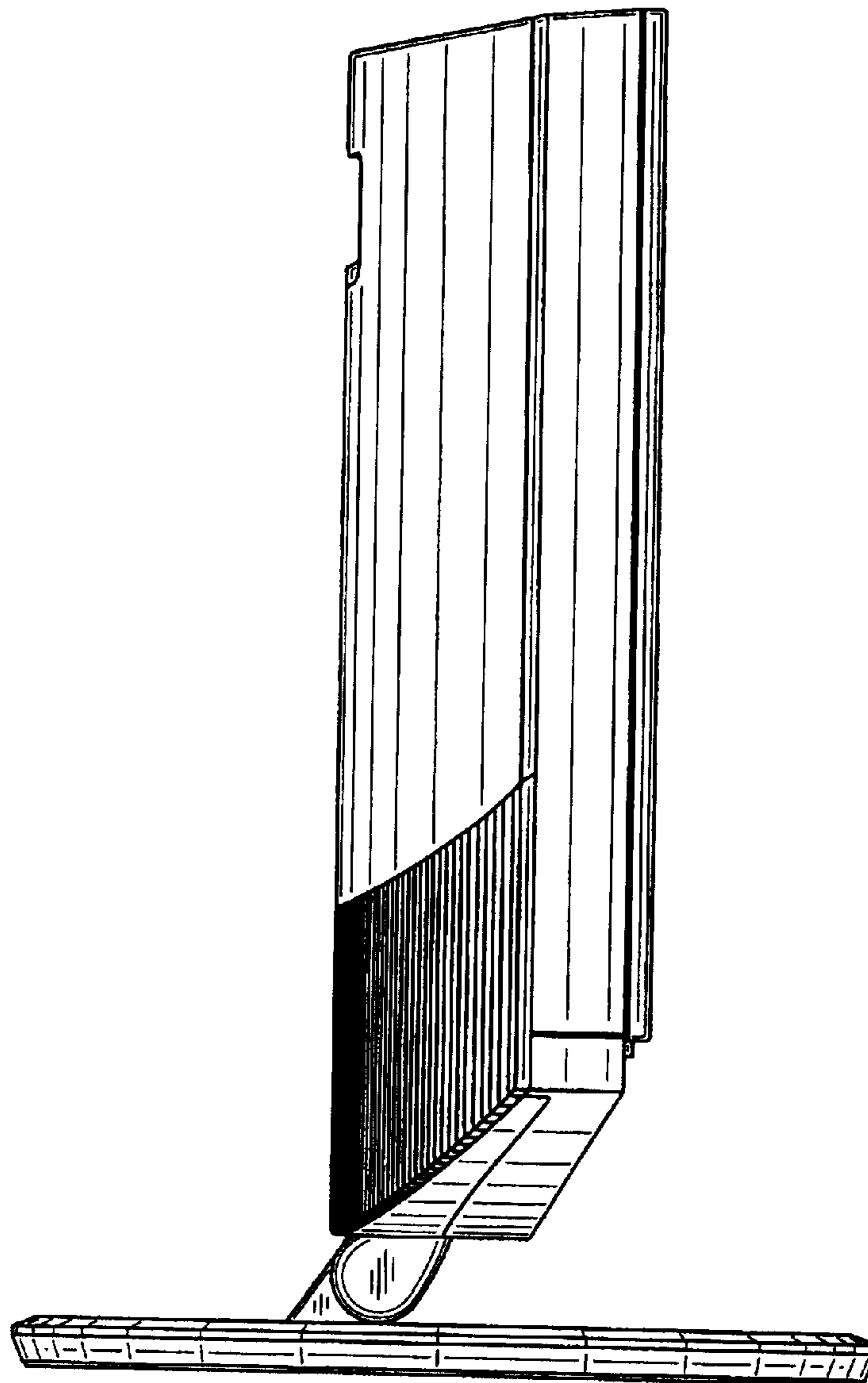


FIG. 4

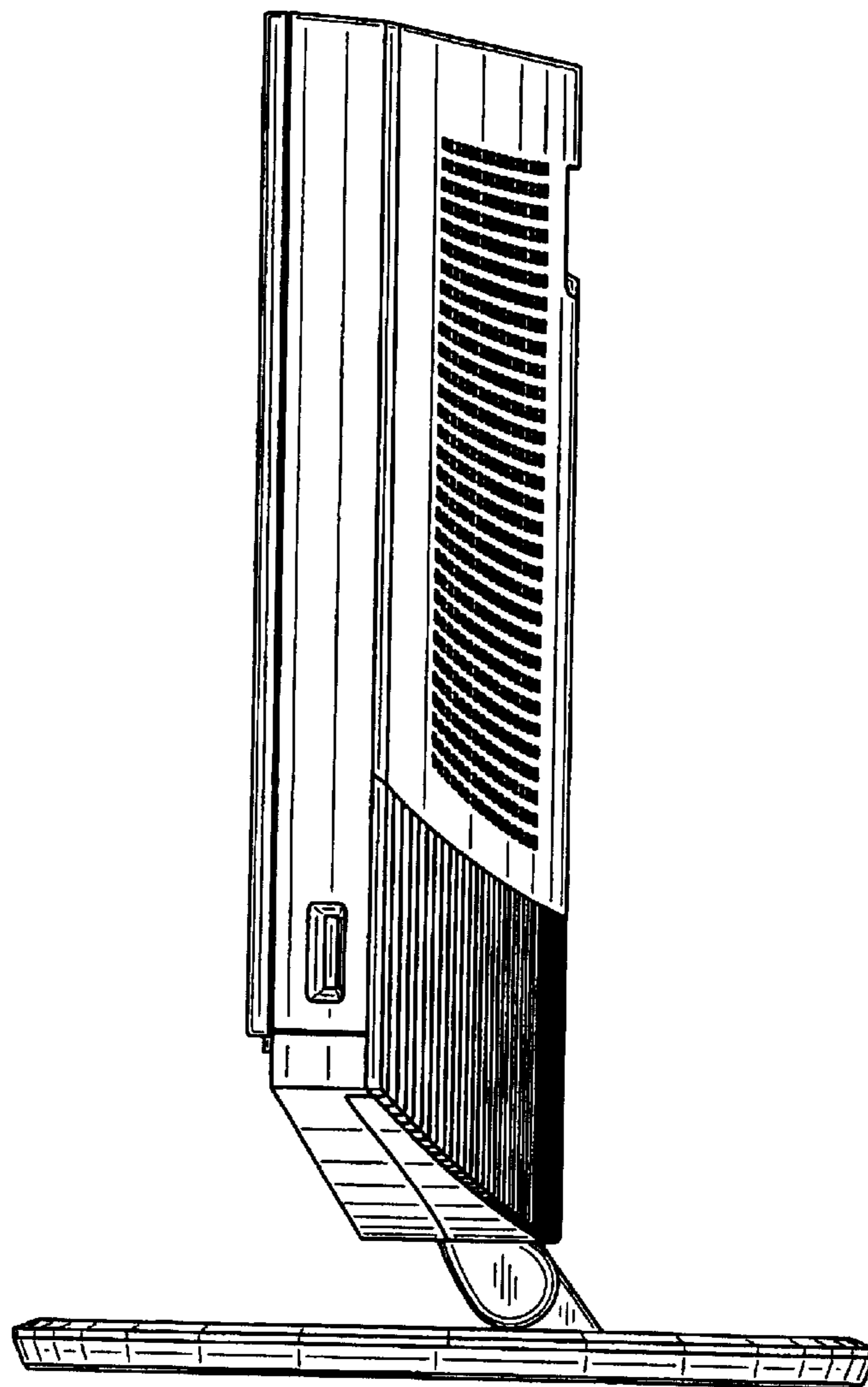


FIG. 5

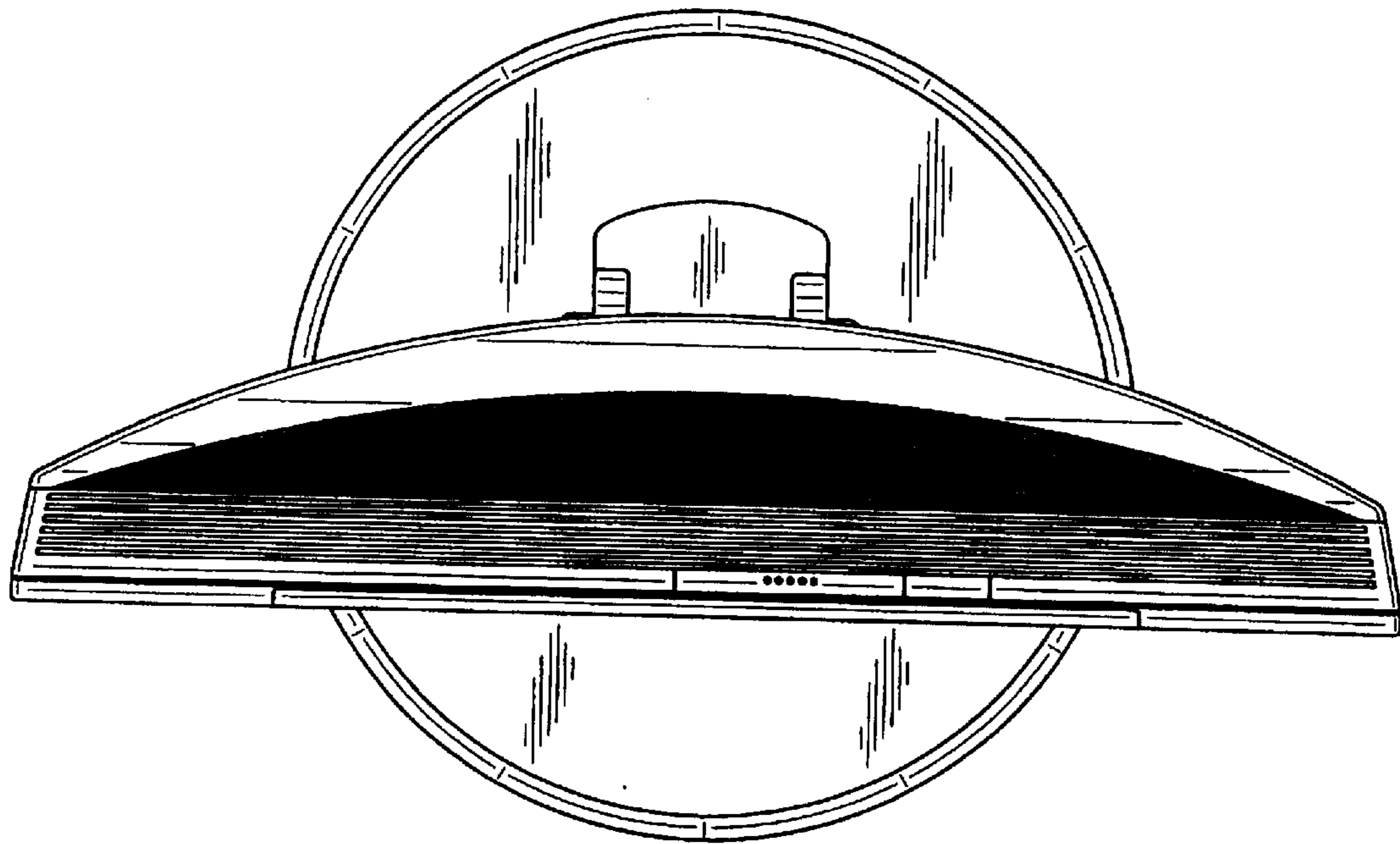


FIG. 6

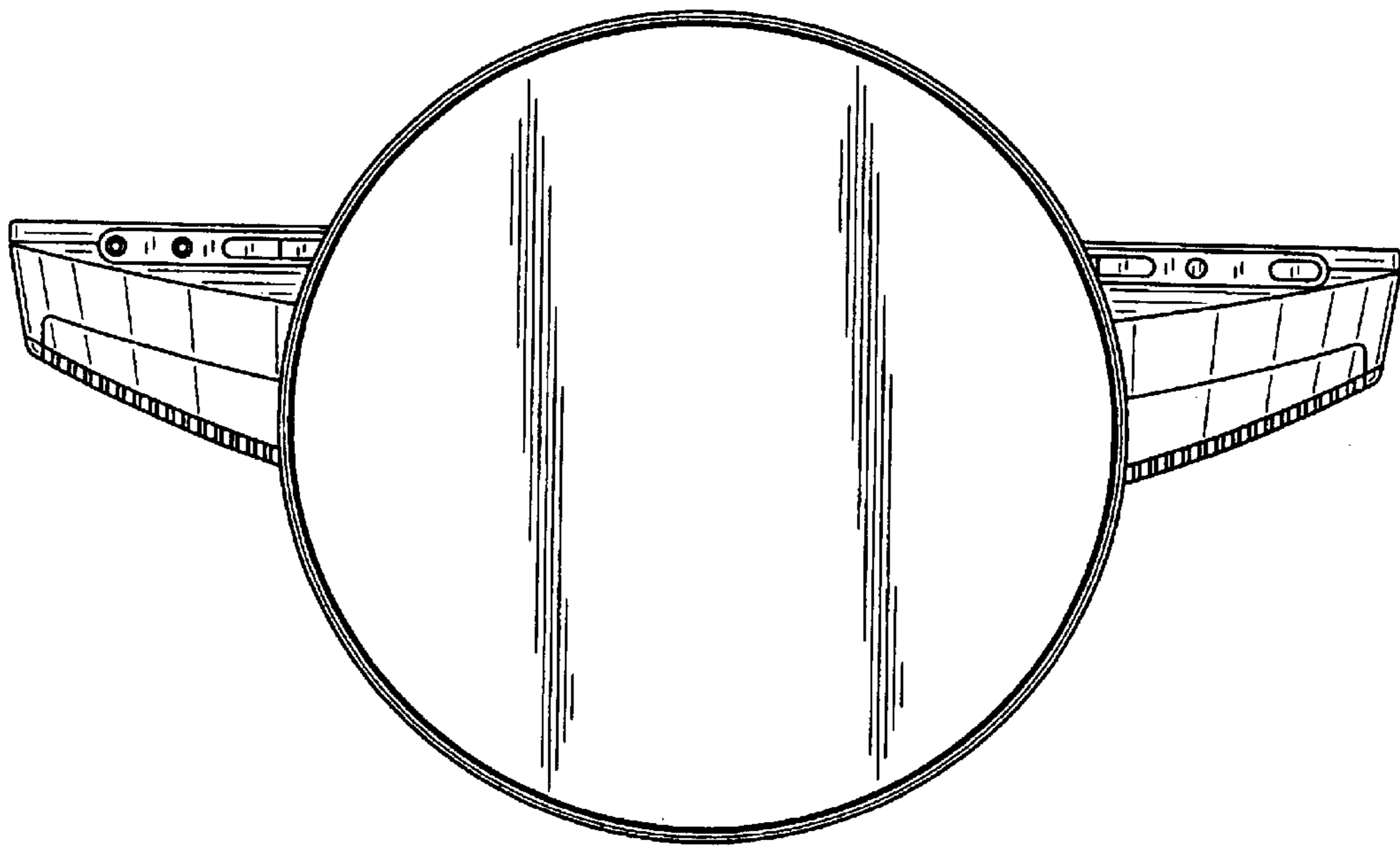


FIG. 7