

US00D540793S

(12) **United States Design Patent**  
**Kim et al.**

(10) **Patent No.:** **US D540,793 S**

(45) **Date of Patent:** **\*\* Apr. 17, 2007**

(54) **NETWORK TERMINAL**

(75) Inventors: **Dae-Joung Kim**, Seoul (KR); **Bum-Ho Chun**, Seoul (KR); **Sung-Jin Yum**, Seoul (KR); **So-Yoon Jeon**, Seoul (KR)

(73) Assignee: **Samsung Electronics Co., Ltd.**,  
Kyunggi-do (KR)

(\*\*) Term: **14 Years**

(21) Appl. No.: **29/256,665**

(22) Filed: **Mar. 23, 2006**

(51) **LOC (8) Cl.** ..... **14-02**

(52) **U.S. Cl.** ..... **D14/358; D14/240**

(58) **Field of Classification Search** ..... D14/242,  
D14/496, 125, 240, 135-6, 167, 300-2, 314,  
D14/341, 356-8, 362-70, 383, 385, 348,  
D14/353, 156; D13/103; 220/4.02; 361/679,  
361/683-6; 379/413.04

See application file for complete search history.

(56) **References Cited**

**U.S. PATENT DOCUMENTS**

D260,886 S	*	9/1981	Taylor	.....	D14/314
D263,957 S	*	4/1982	Pemberton	.....	D14/356
D289,644 S	*	5/1987	Aldrich et al.	.....	D14/240
D299,451 S	*	1/1989	Ikeda	.....	D14/158
D303,791 S	*	10/1989	Peart et al.	.....	D14/355
D310,355 S	*	9/1990	Trager	.....	D14/365
D340,230 S	*	10/1993	Sforni	.....	D14/314
D355,172 S	*	2/1995	Hadaegh	.....	D14/242

D363,703 S	*	10/1995	Ray et al.	.....	D14/355
D363,722 S	*	10/1995	Aldridge et al.	.....	D14/242
D479,238 S	*	9/2003	Brown	.....	D14/388
D493,165 S	*	7/2004	Kiple et al.	.....	D14/242
D524,272 S	*	7/2006	Ryu	.....	D14/136

**OTHER PUBLICATIONS**

Internet: [http://www.tau.ac.il/lifesci/computer/hardware/new\\_computer/thin\\_client.htm](http://www.tau.ac.il/lifesci/computer/hardware/new_computer/thin_client.htm), Jan. 2, 2006.\*  
U.S. Appl. No. 29/256,666, Applicant: Dae-Joung Kim, filed Mar. 23, 2006, entitled Terminal for Network.

\* cited by examiner

*Primary Examiner*—Robin Webster

*Assistant Examiner*—Karen E. Patterson

(74) *Attorney, Agent, or Firm*—Flynn, Thiel, Boutell & Tanis, P.C.

(57) **CLAIM**

The ornamental design for a network terminal, as shown and described.

**DESCRIPTION**

FIG. 1 is a top front perspective view of a network terminal showing our new design;

FIG. 2 is a front elevational view thereof;

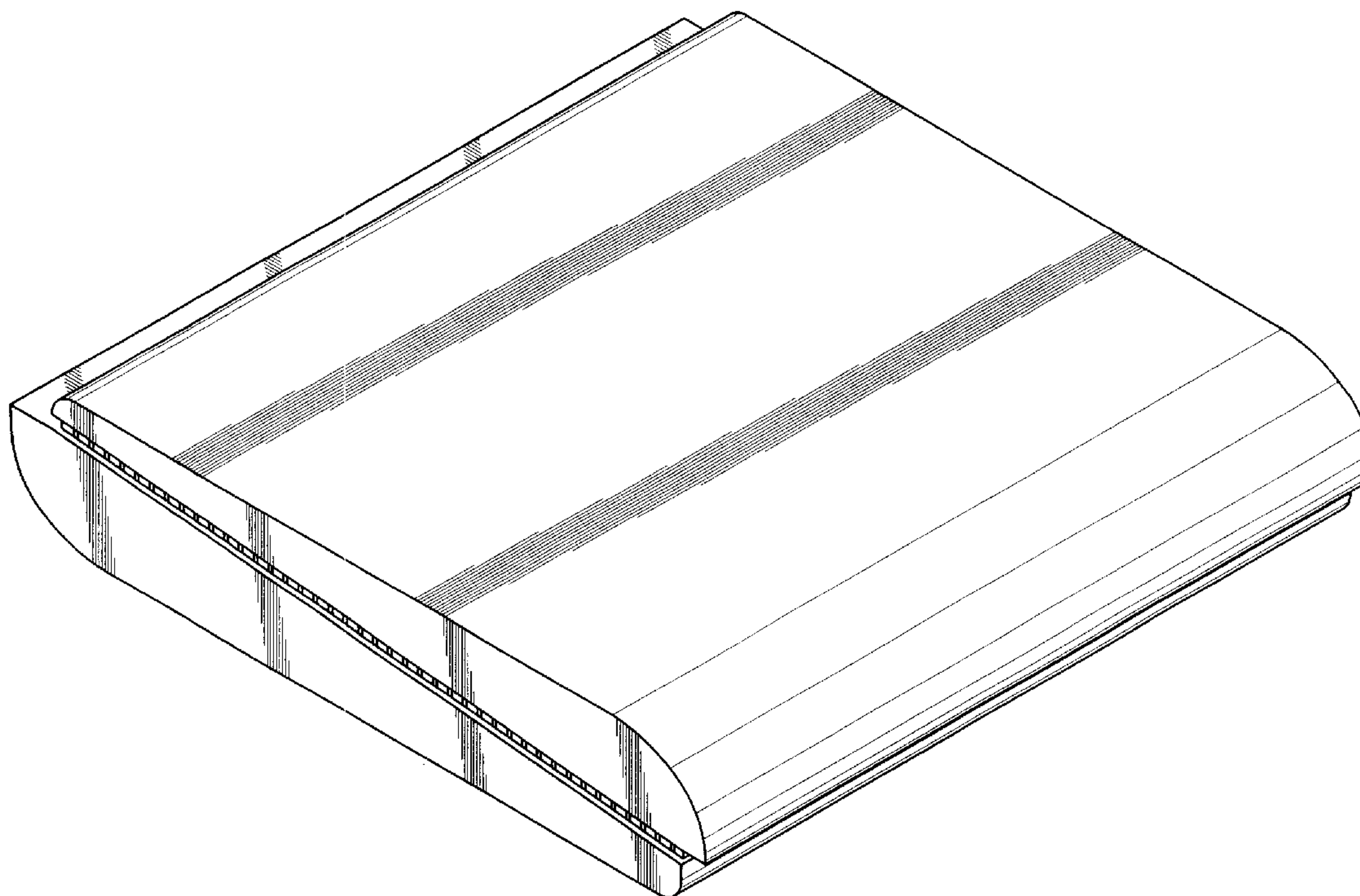
FIG. 3 is a rear elevational view thereof;

FIG. 4 is a left side elevational view, the right side being symmetrical thereof;

FIG. 5 is a top plan view thereof; and,

FIG. 6 is a bottom plan view thereof.

**1 Claim, 4 Drawing Sheets**



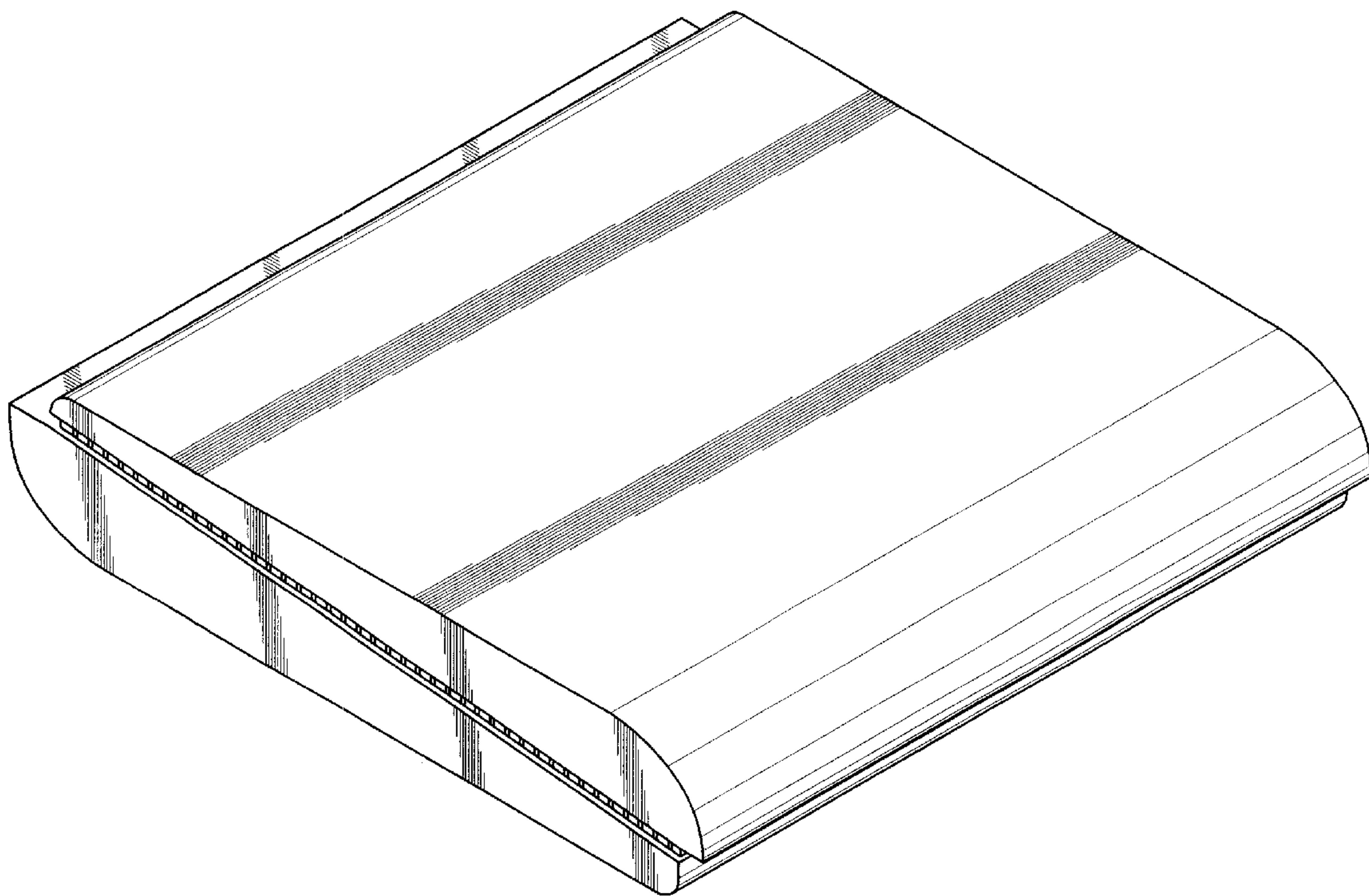


FIG. 1

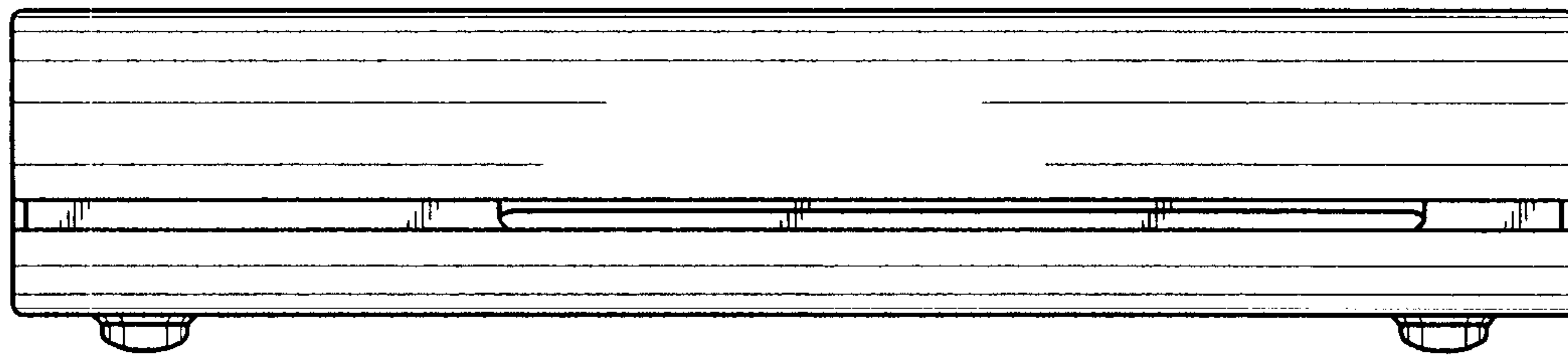


FIG. 2

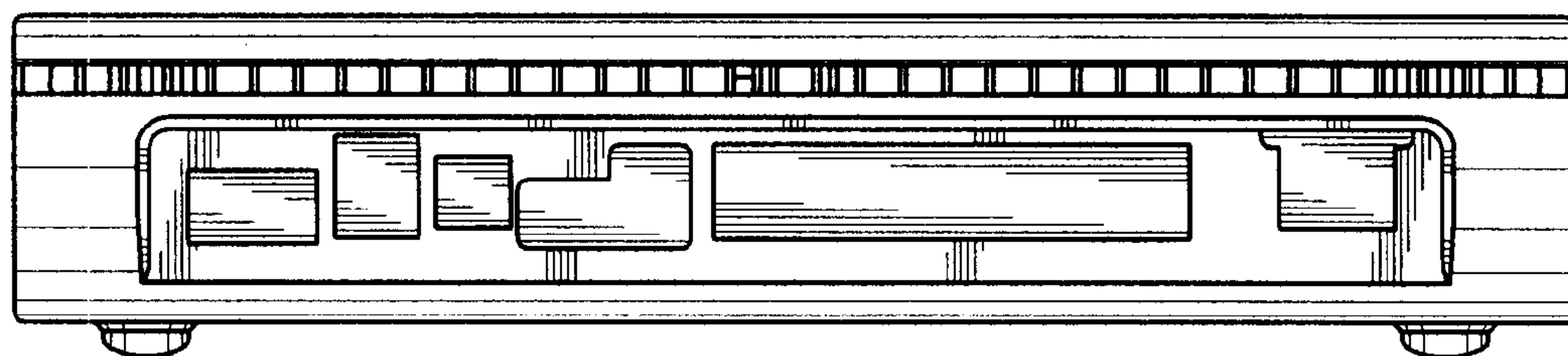


FIG. 3

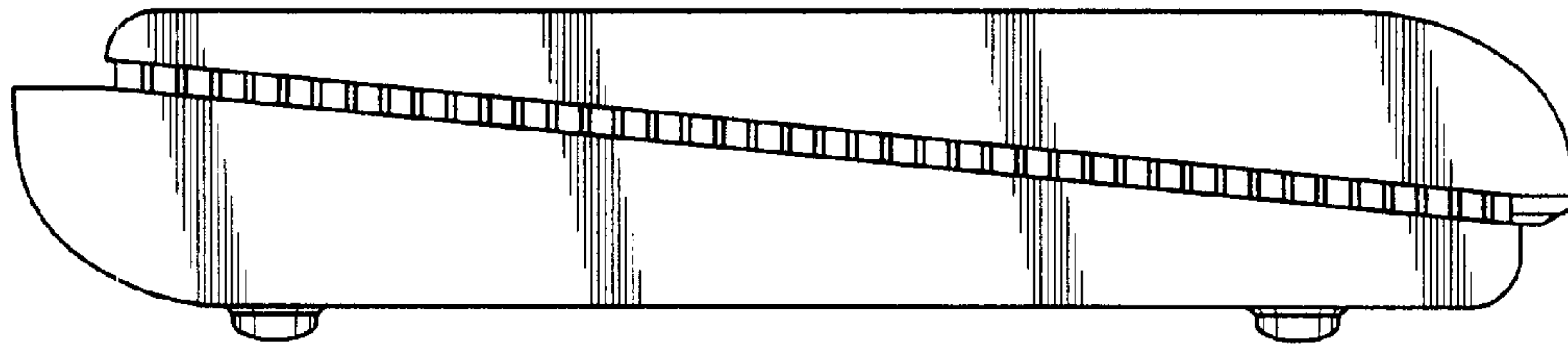


FIG. 4

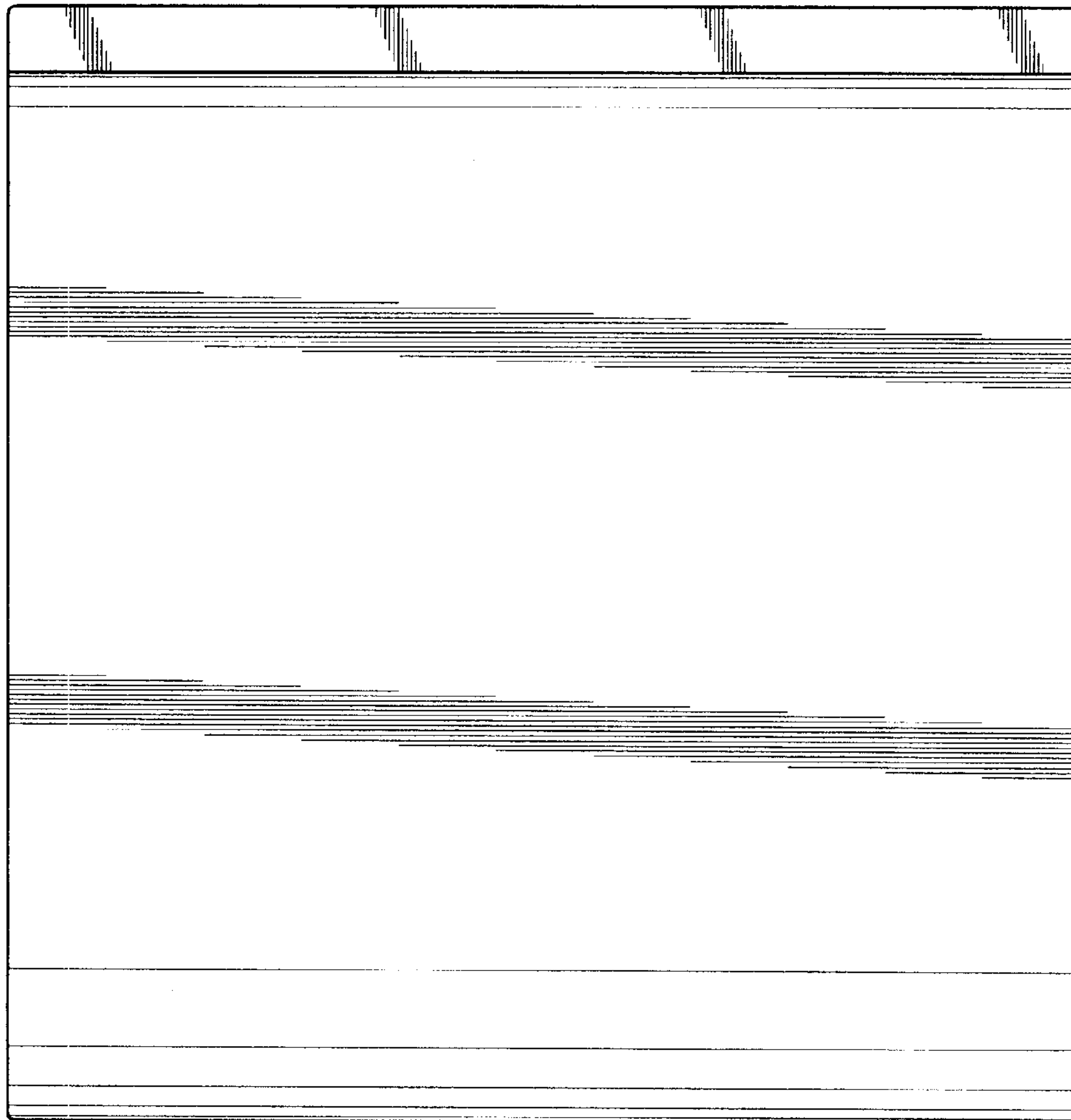


FIG. 5

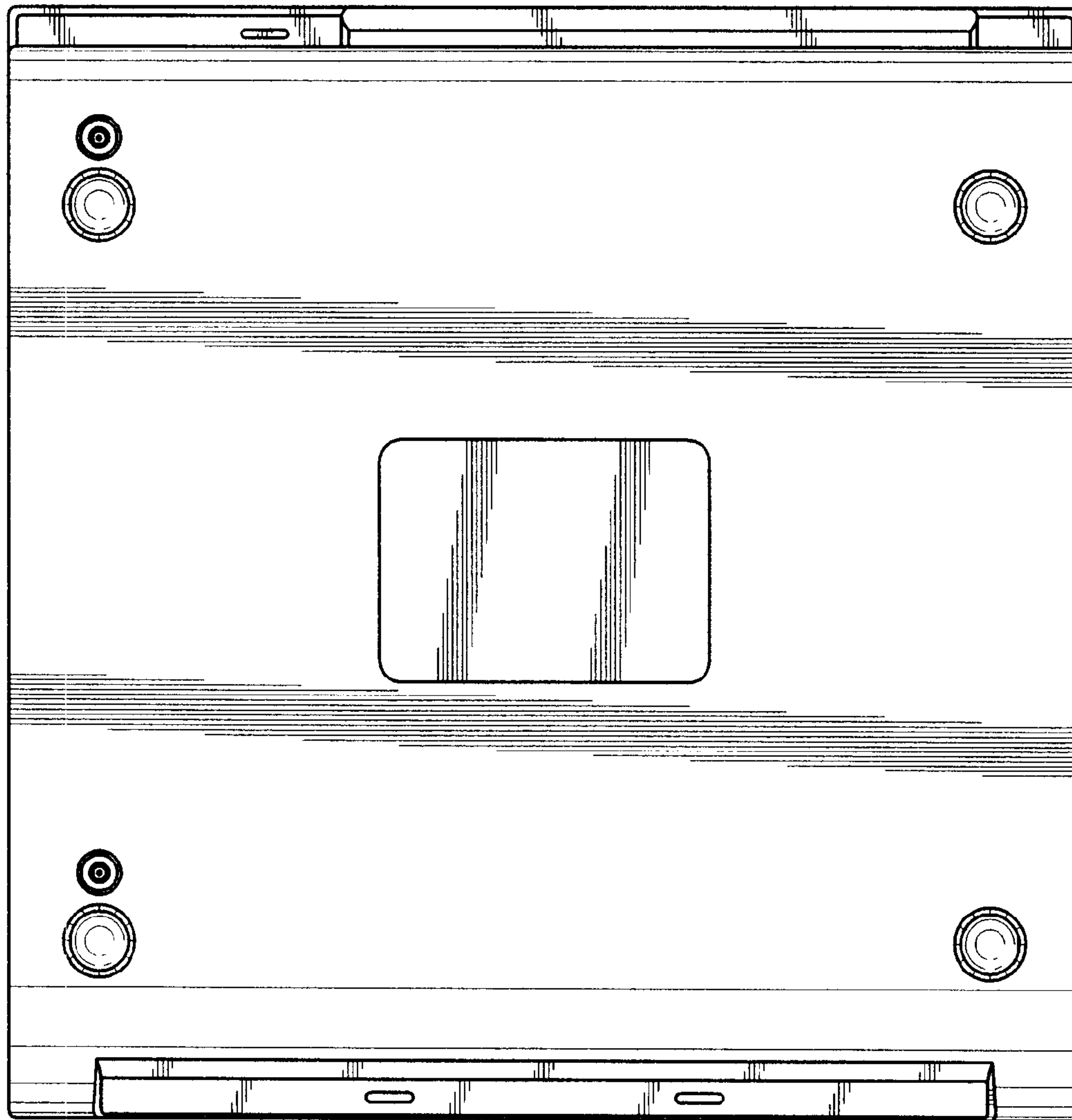


FIG.6