

US00D540792S

(12) **United States Design Patent**
Wang

(10) **Patent No.:** **US D540,792 S**

(45) **Date of Patent:** **** Apr. 17, 2007**

(54) **CASE FOR EXTERNAL DATA STORAGE MEDIA**

(75) Inventor: **Chia-Jen Wang**, Taipei Hsien (TW)

(73) Assignee: **Datastor Technology Co., Ltd.**, Taipei Hsien (TW)

(**) Term: **14 Years**

(21) Appl. No.: **29/254,495**

(22) Filed: **Feb. 23, 2006**

(30) **Foreign Application Priority Data**

Aug. 25, 2005 (TW) 94305127

(51) **LOC (8) Cl.** **14-02**

(52) **U.S. Cl.** **D14/356**

(58) **Field of Classification Search** D14/242,
D14/496, 125, 240, 135-6, 167, 300-2, 314,
D14/341, 356-8, 362-70, 383, 385, 348,
D14/353, 156; D13/103; 220/4.02; 361/679,
361/683-6; 379/413.04

See application file for complete search history.

(56) **References Cited**

U.S. PATENT DOCUMENTS

D322,777 S * 12/1991 Nishio D14/314
5,627,450 A * 5/1997 Ryan et al. 361/686
D381,330 S * 7/1997 Kaufman et al. D14/496

D402,979 S * 12/1998 Ogasawara D14/136
6,129,237 A * 10/2000 Miyahara 220/812
6,430,038 B1 * 8/2002 Helot et al. 361/681
D486,480 S * 2/2004 Tanaka D14/242
D494,165 S * 8/2004 Yokota D14/341
D502,465 S * 3/2005 Laity et al. D14/242
D505,428 S * 5/2005 Yagihashi D14/496
D510,729 S * 10/2005 Chen et al. D14/125
D518,471 S * 4/2006 Deguchi D14/167
D530,709 S * 10/2006 Bang et al. D14/240

* cited by examiner

Primary Examiner—Robin Webster

Assistant Examiner—Karen E. Patterson

(74) *Attorney, Agent, or Firm*—Ladas & Parry LLP

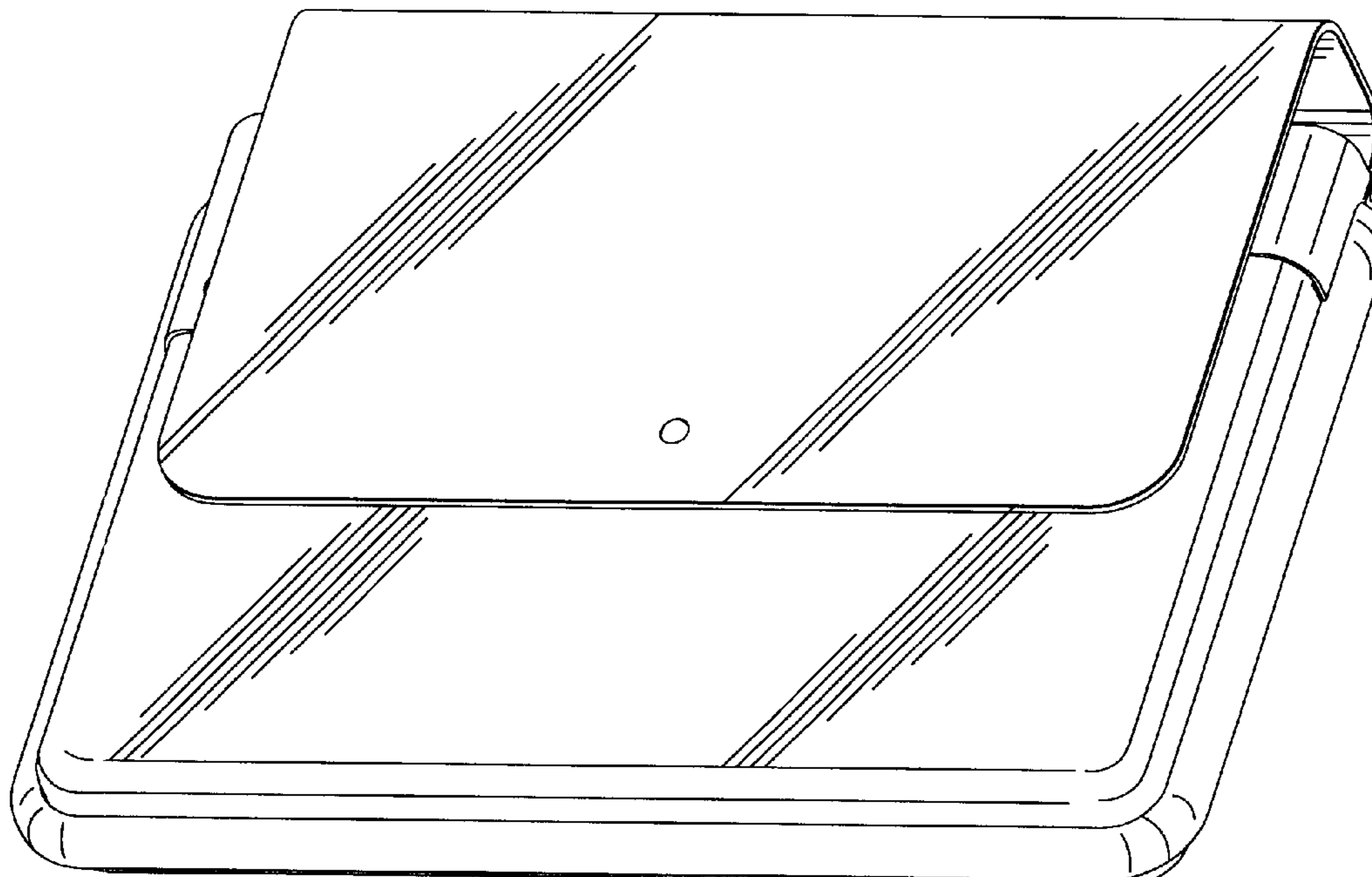
(57) **CLAIM**

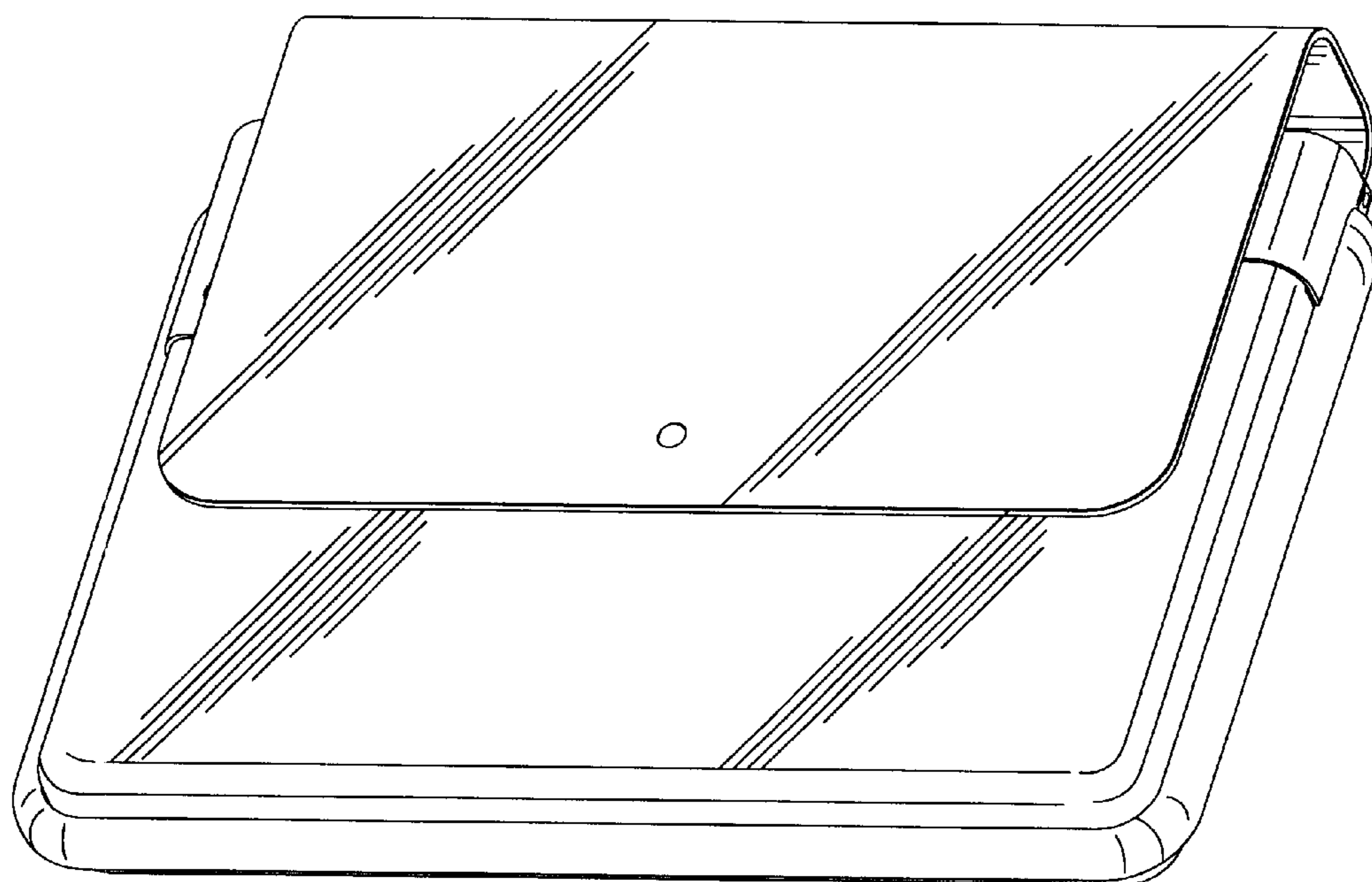
The ornamental design for case for external data storage media, as shown and described.

DESCRIPTION

FIG. 1 is a perspective view of case for external data storage media showing my new design;
FIG. 2 is a front elevational view thereof;
FIG. 3 is a rear elevational view thereof;
FIG. 4 is a left side elevational view thereof;
FIG. 5 is a right side elevational view thereof;
FIG. 6 is a top plan view thereof; and,
FIG. 7 is a bottom plan view thereof.

1 Claim, 3 Drawing Sheets





F I G. 1

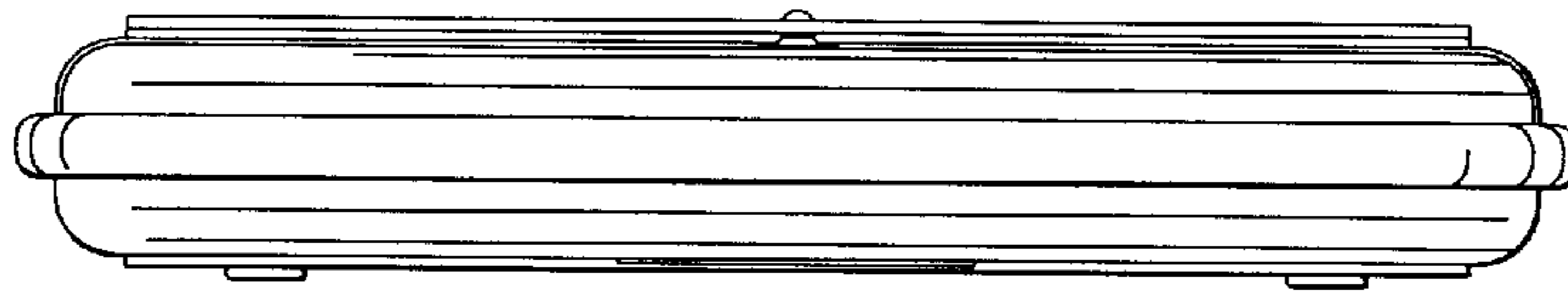


FIG. 2

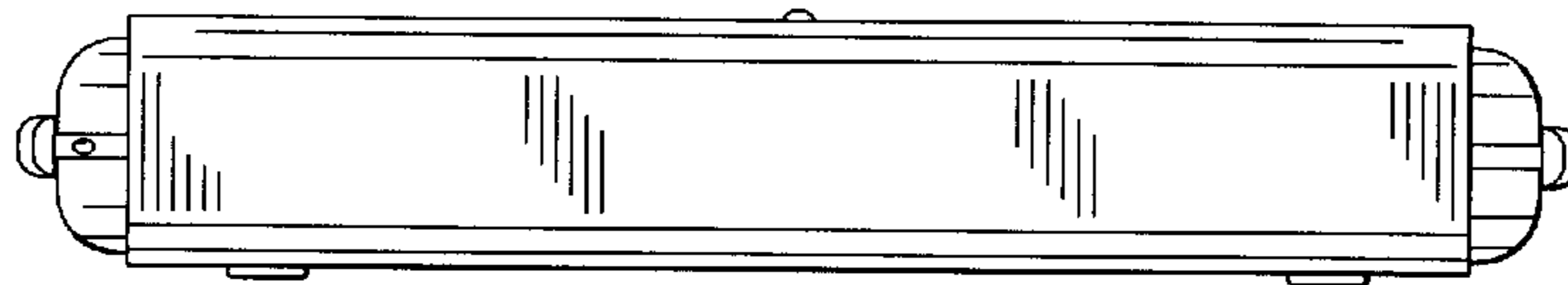


FIG. 3

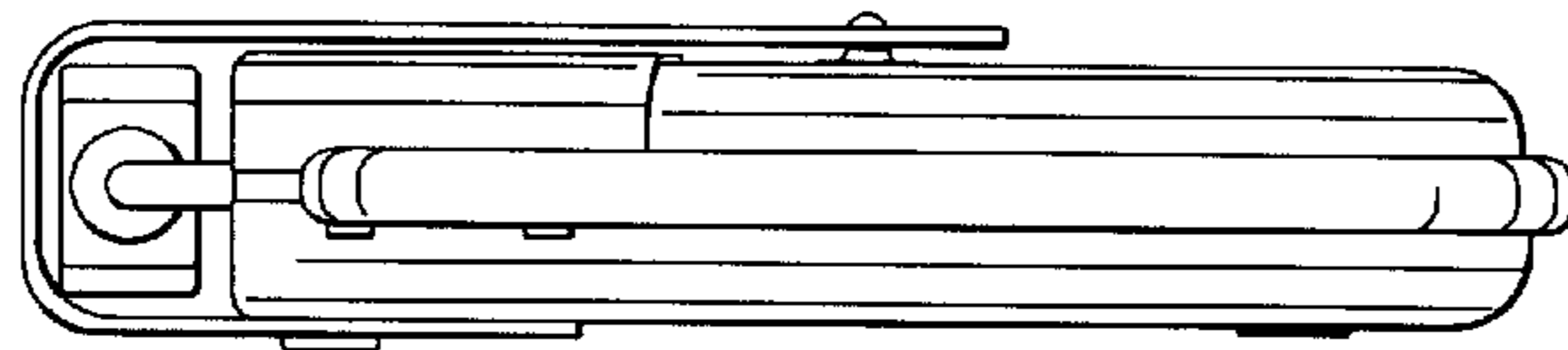


FIG. 4

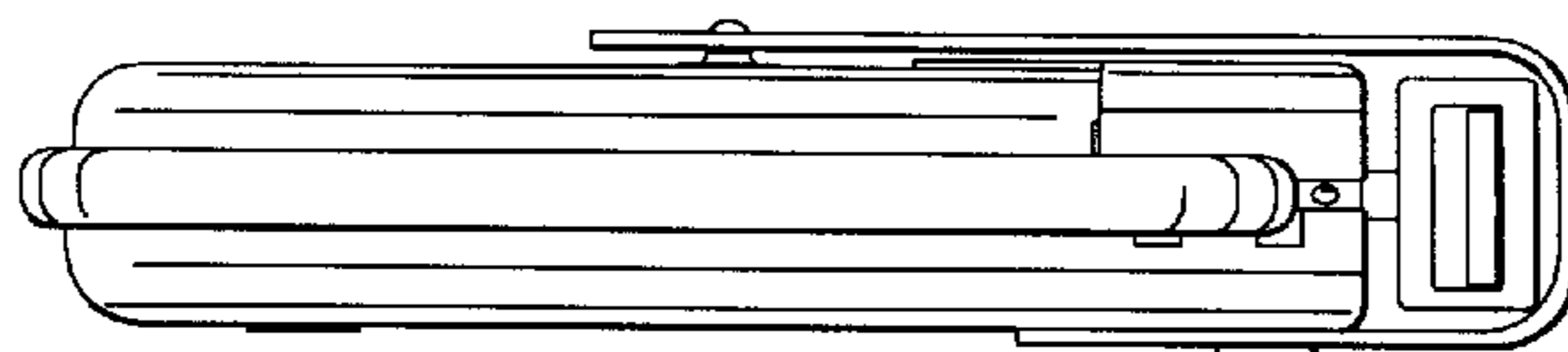


FIG. 5

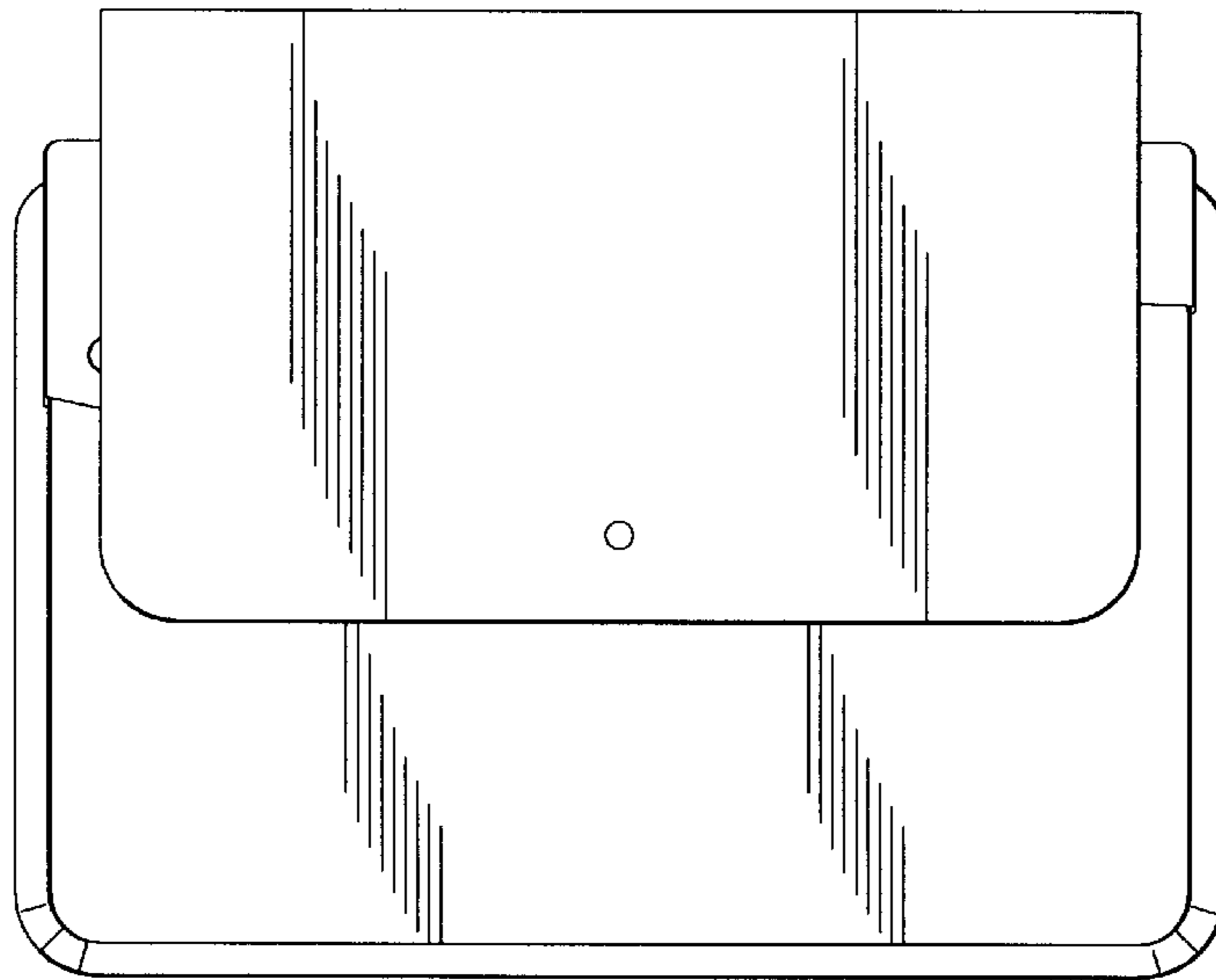


FIG. 6

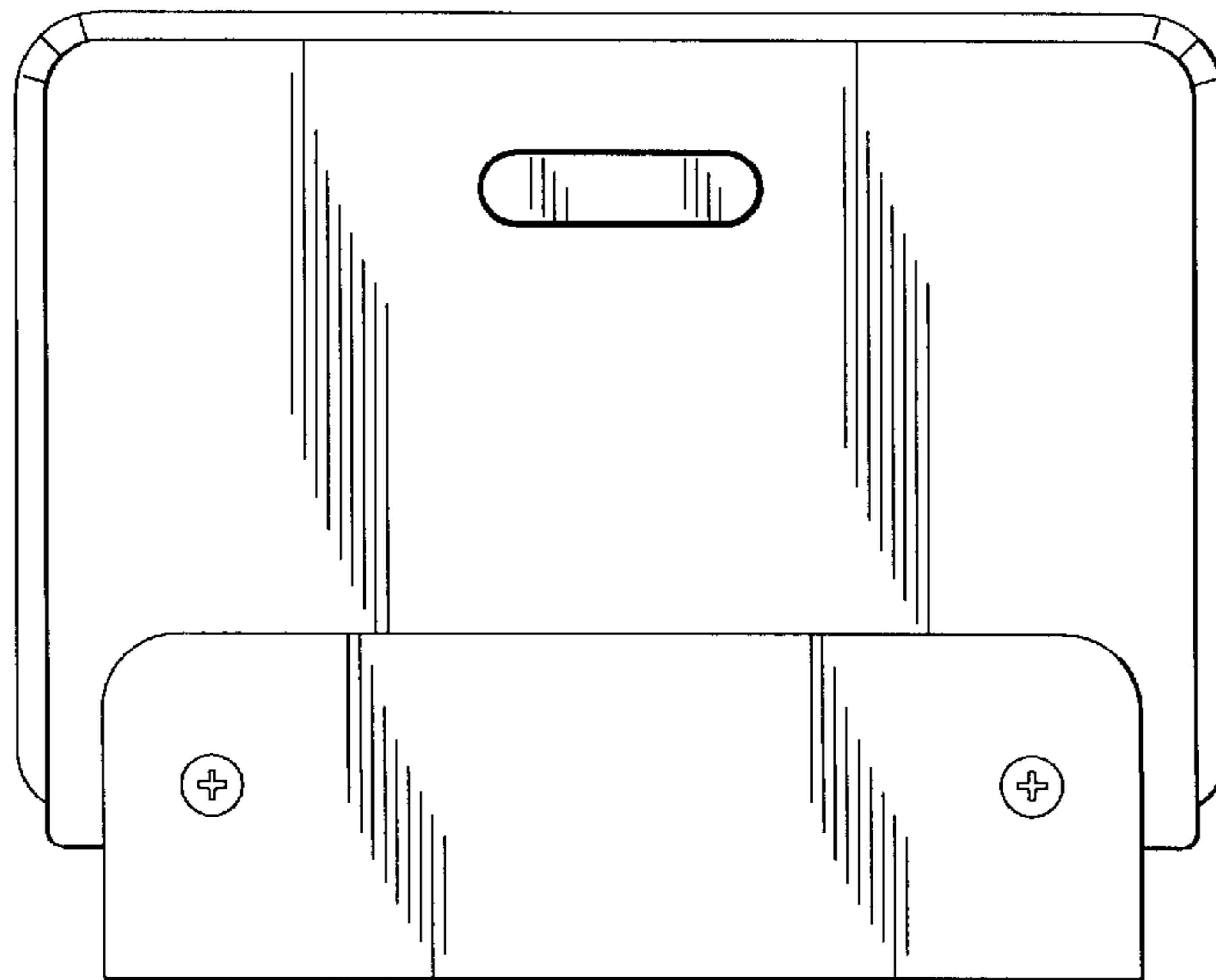


FIG. 7