

US00D540791S

(12) **United States Design Patent**
Wang

(10) **Patent No.:** **US D540,791 S**
(45) **Date of Patent:** **** Apr. 17, 2007**

(54) **COMPUTER CASING**

(75) Inventor: **Jen-Yu Wang**, Chung-Ho (TW)

(73) Assignee: **Cooler Master Co., Ltd.**, Taipei Hsien (TW)

(**) Term: **14 Years**

(21) Appl. No.: **29/245,034**

(22) Filed: **Dec. 19, 2005**

(30) **Foreign Application Priority Data**

Jul. 14, 2005 (TW) 94304227

(51) **LOC (8) Cl.** **14-02**

(52) **U.S. Cl.** **D14/349**

(58) **Field of Classification Search** D14/349-356;
D13/162, 184, 199; 312/223.2, 265.6; 361/680-686,
361/690-696; 369/34.01, 36.01
See application file for complete search history.

(56) **References Cited**

U.S. PATENT DOCUMENTS

5,934,774 A * 8/1999 Wu et al. 312/223.2
5,992,955 A * 11/1999 Yang 312/265.6

D452,239 S * 12/2001 Kitayama et al. D14/349

FOREIGN PATENT DOCUMENTS

DE M9401677 * 10/1994
JP 1048621 * 9/1999

* cited by examiner

Primary Examiner—Freda S. Nunn

(74) *Attorney, Agent, or Firm*—Rabin & Berdo, P.C.

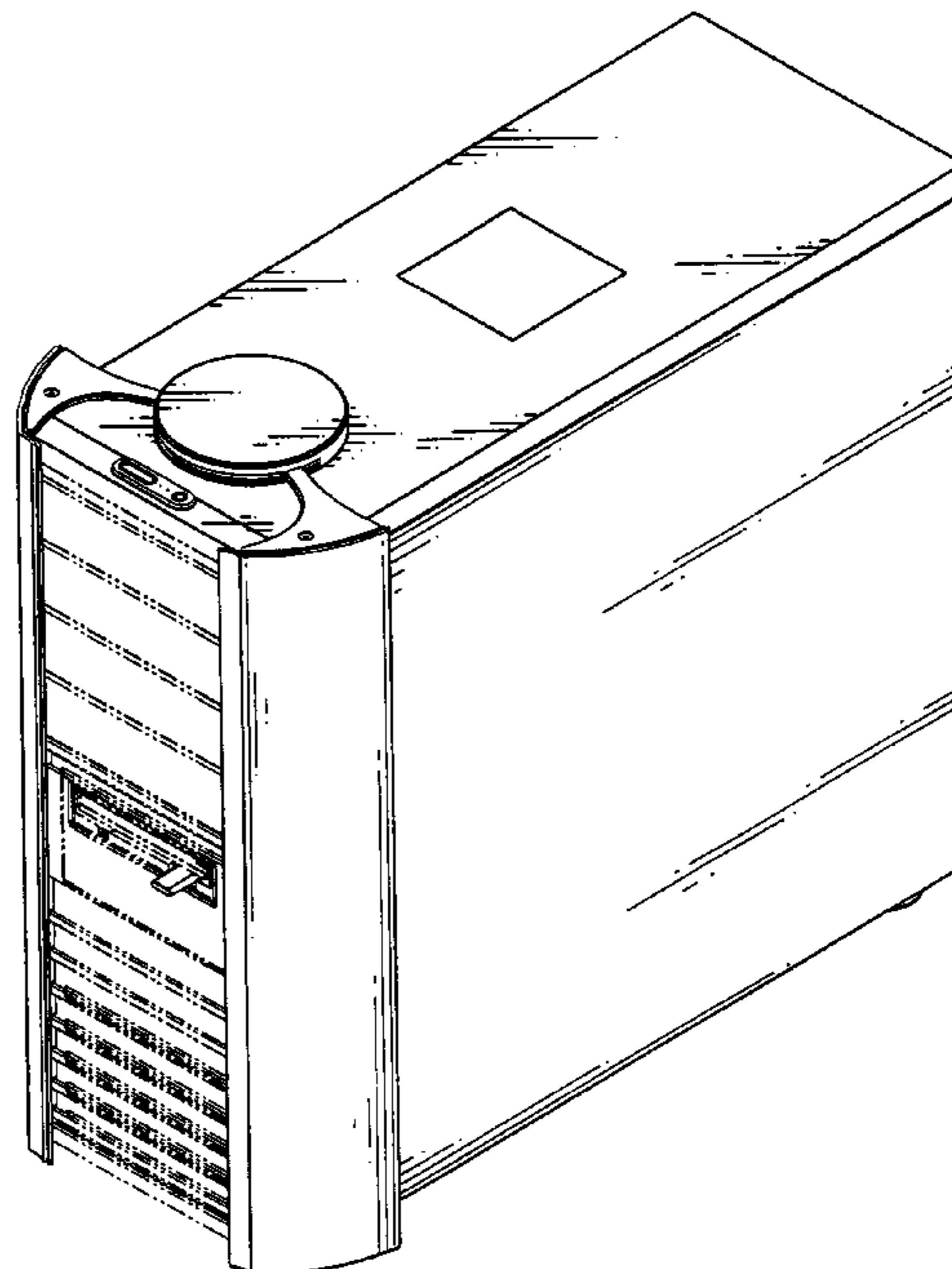
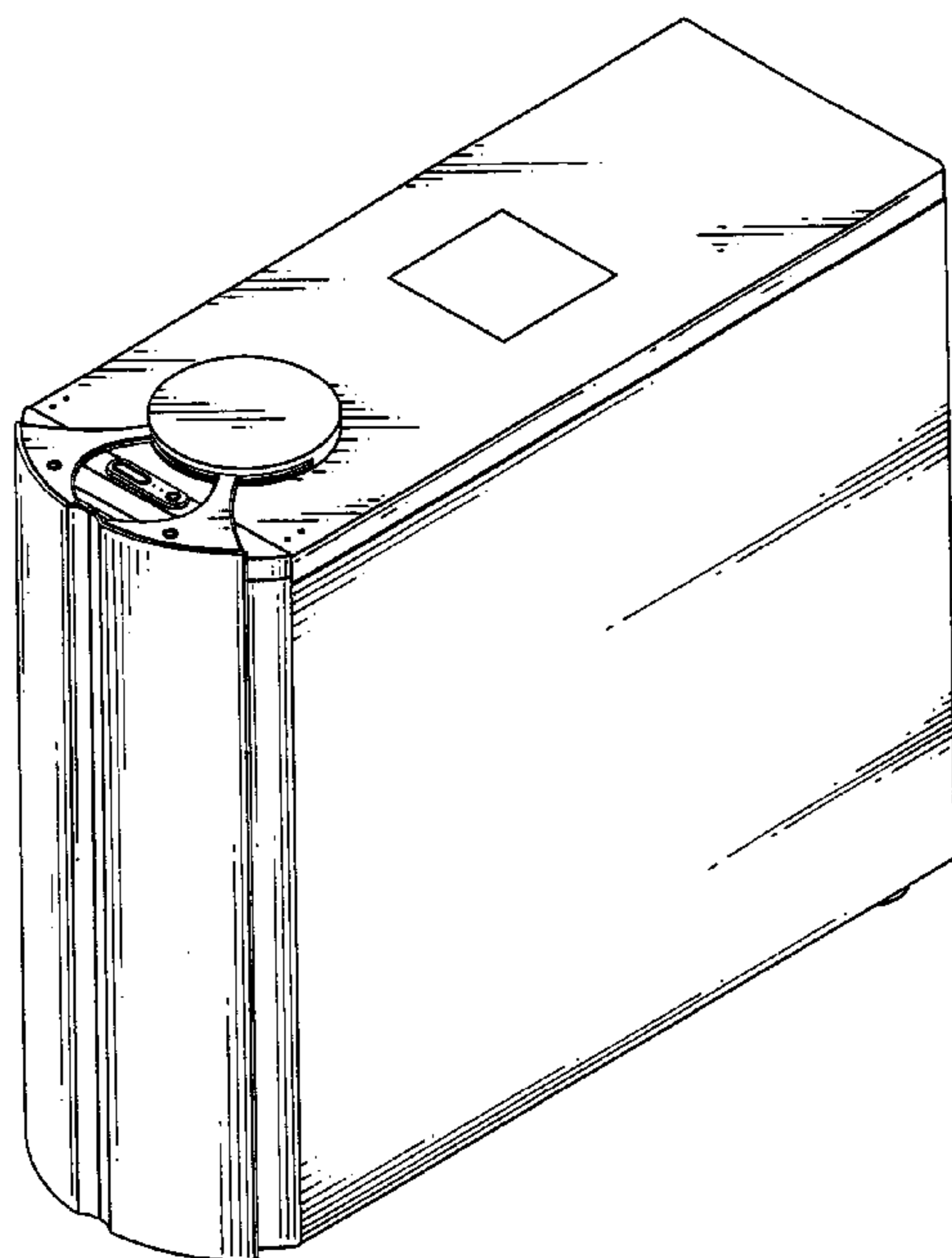
(57) **CLAIM**

The ornamental design for a computer casing, as shown and described.

DESCRIPTION

FIG. 1 is a perspective view of a computer casing showing my new design;
FIG. 2 is a front view thereof;
FIG. 3 is a rear view thereof;
FIG. 4 is a right view thereof;
FIG. 5 is a top view thereof;
FIG. 6 is a bottom view thereof; and,
FIG. 7 is a perspective view thereof showing a front cover opened with broken lines being provided for reference only and forming no part of the claimed design.

1 Claim, 5 Drawing Sheets



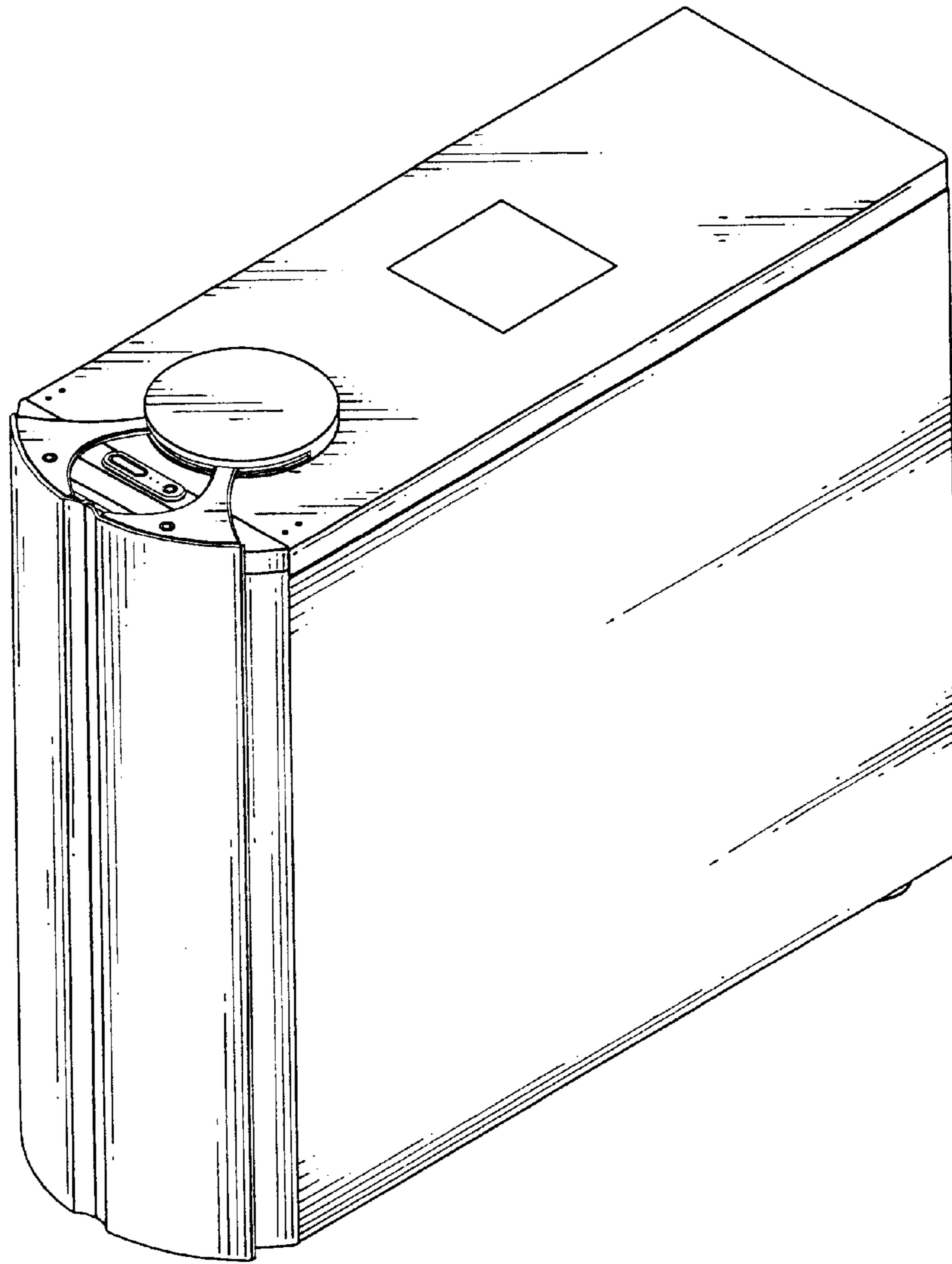


FIG.1

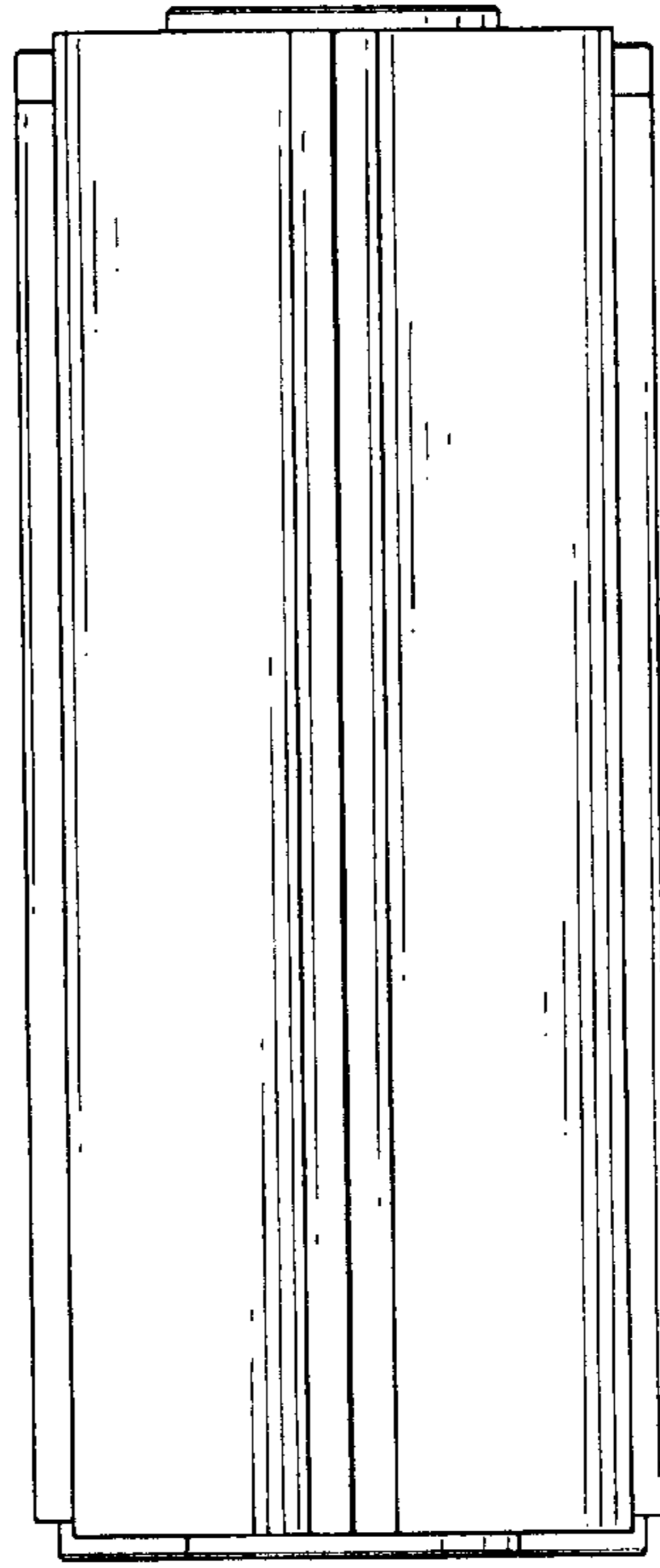


FIG. 2

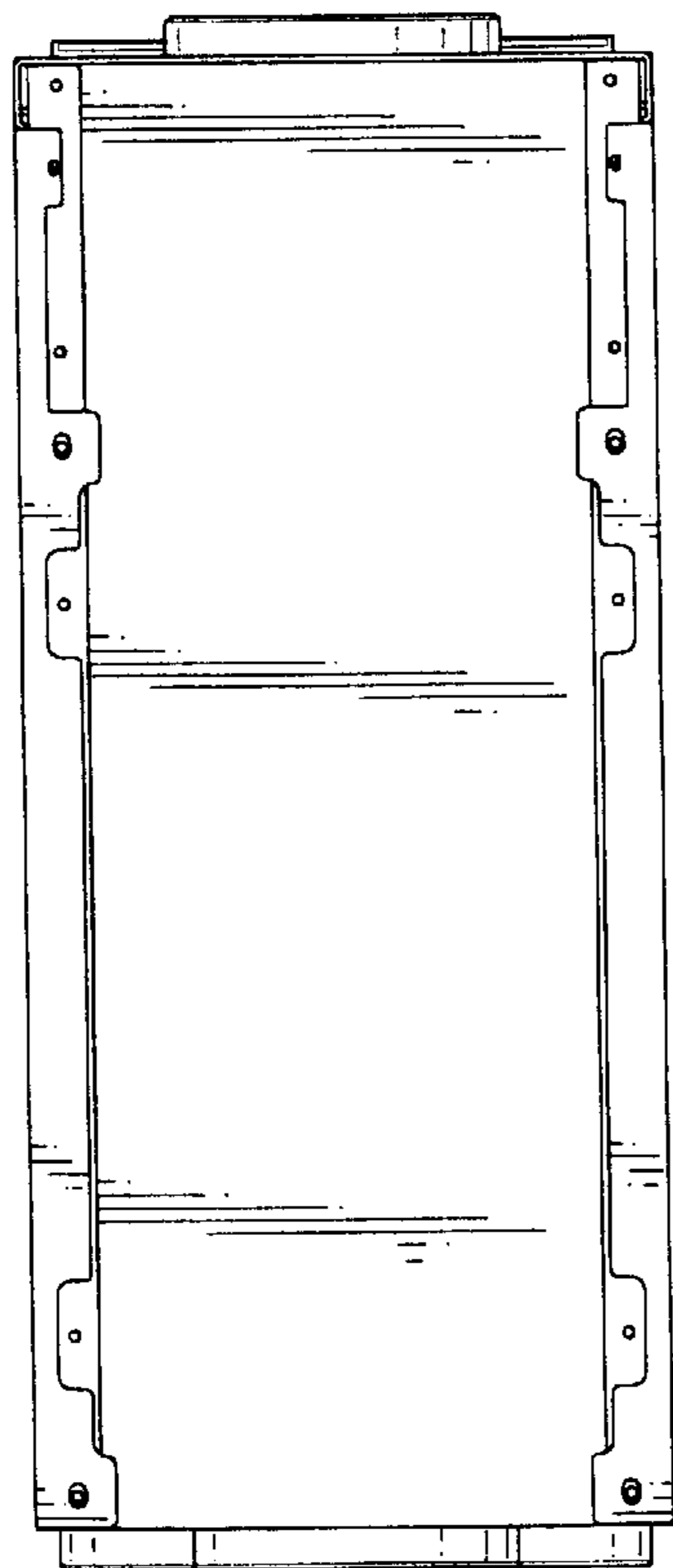


FIG. 3

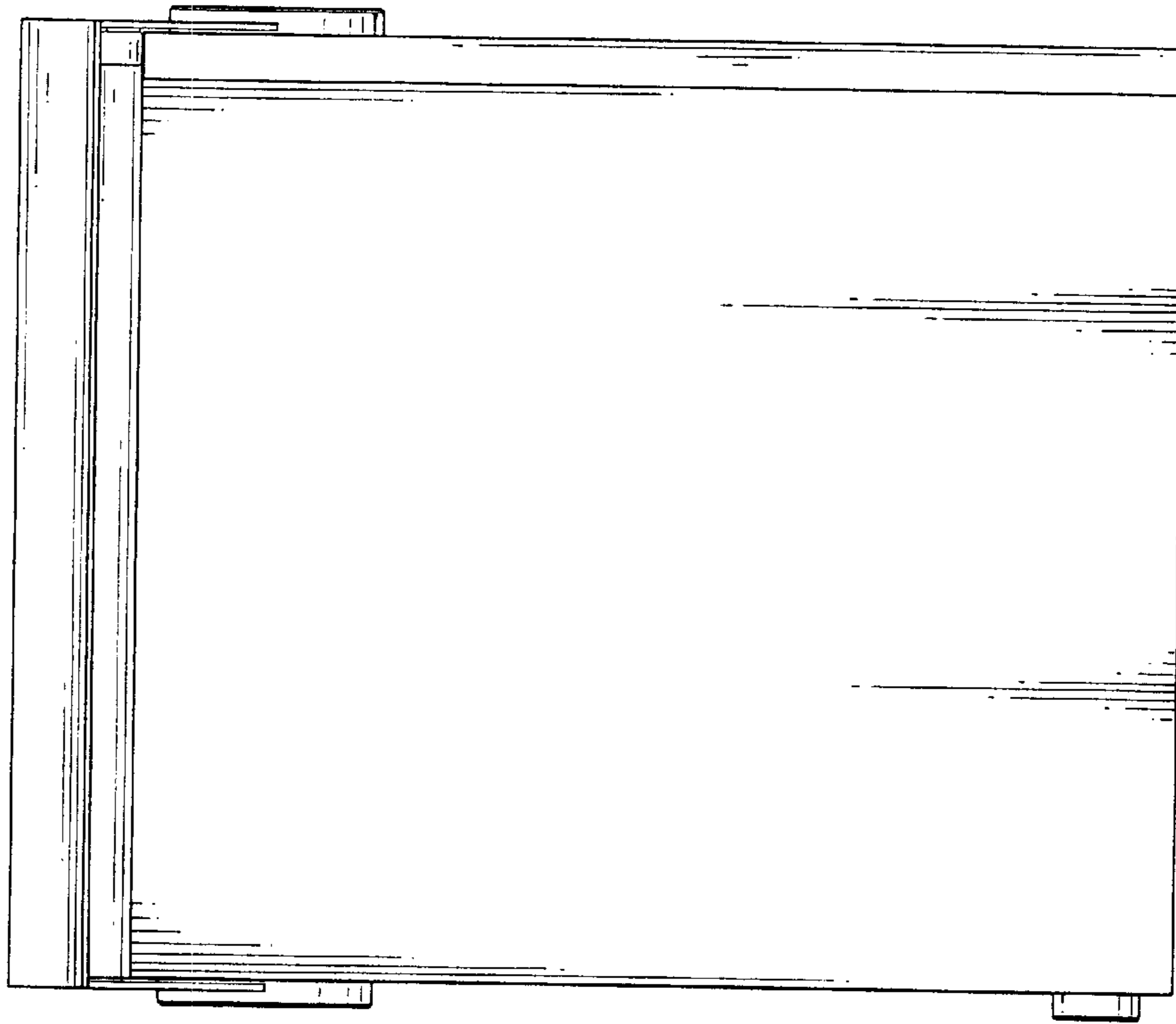


FIG.4

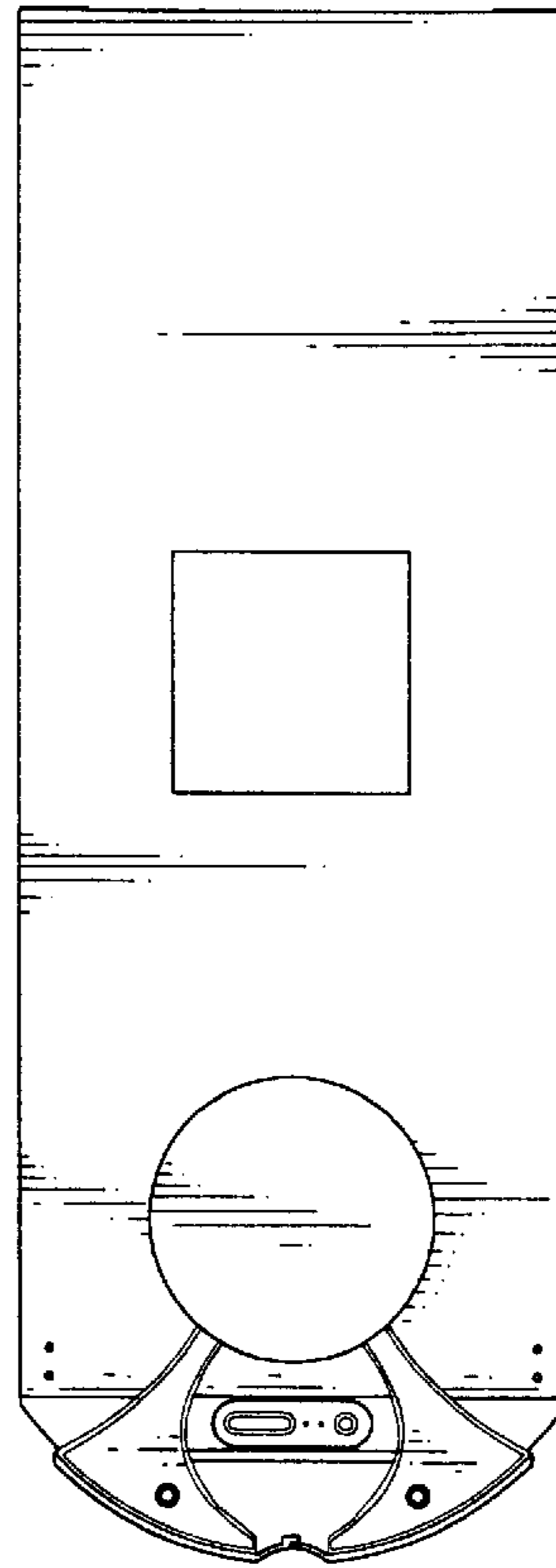


FIG.5

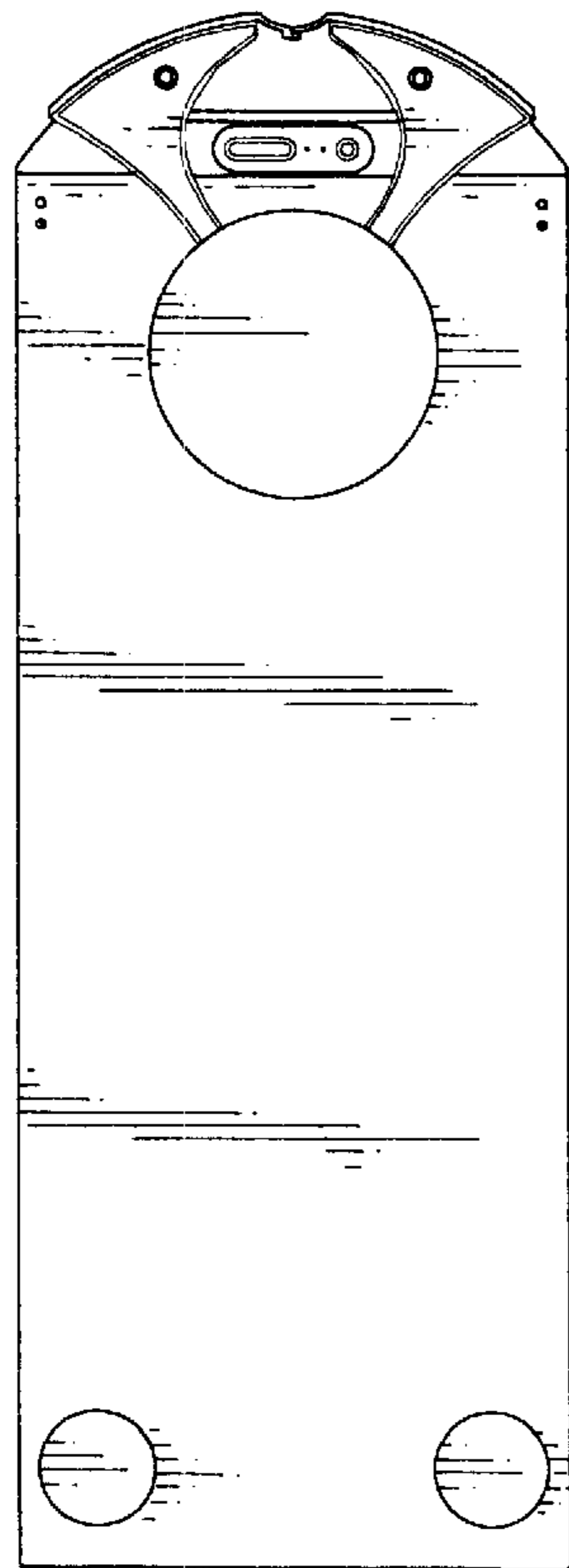


FIG.6

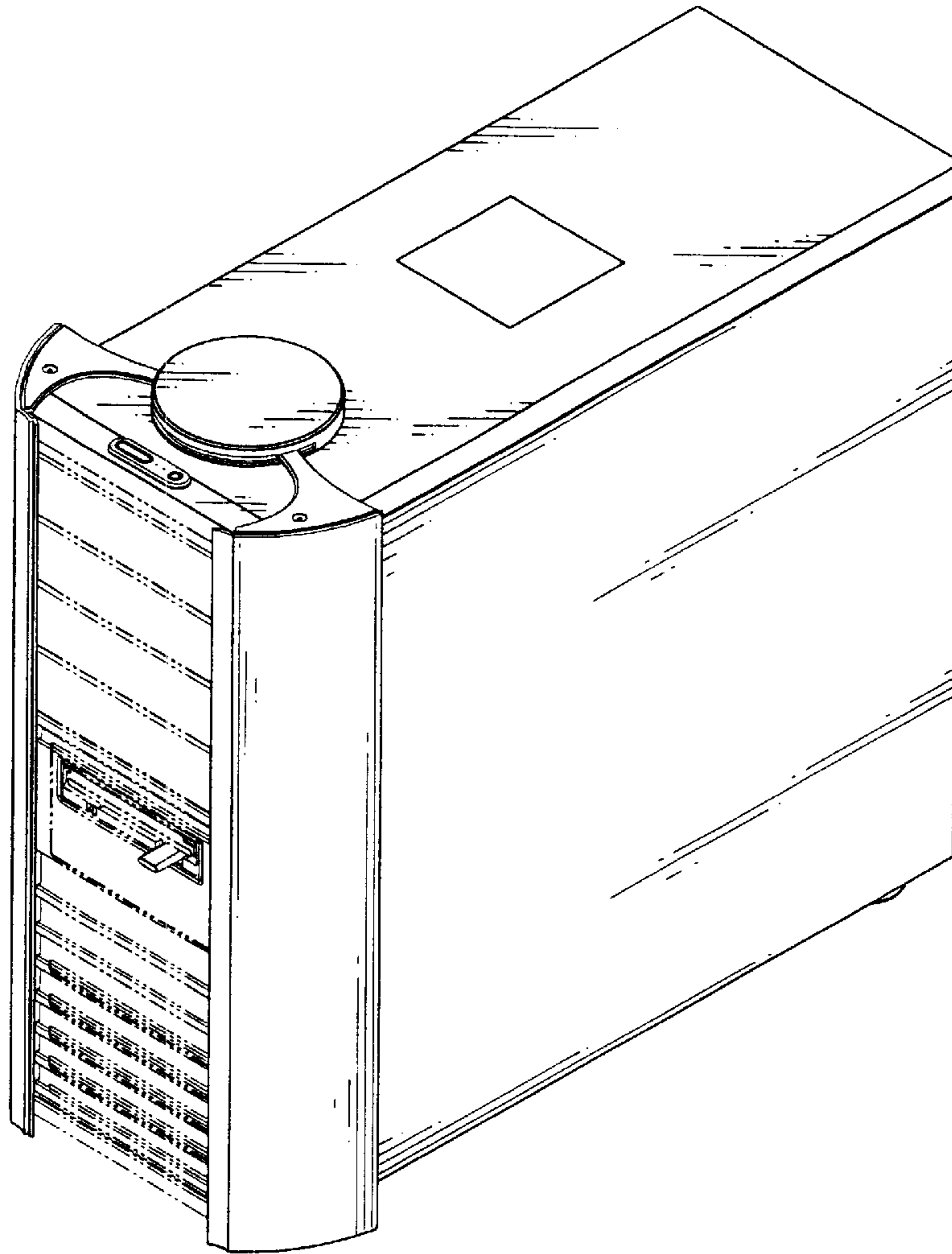


FIG.7