



US00D540787S

(12) **United States Design Patent**
Potosky et al.

(10) **Patent No.:** **US D540,787 S**

(45) **Date of Patent:** **** Apr. 17, 2007**

(54) **AUDIO COMPONENT FRONT FACE**

(75) Inventors: **Scott Potosky**, Granger, IN (US); **Jose Jorge Silva**, Mishawaka, IN (US); **Kevin Giannini**, Osceola, IN (US)

(73) Assignee: **Harman International Industries, Incorporated**, Northridge, CA (US)

(**) Term: **14 Years**

(21) Appl. No.: **29/214,261**

(22) Filed: **Sep. 30, 2004**

(51) **LOC (8) Cl.** **14-01**

(52) **U.S. Cl.** **D14/257**

(58) **Field of Classification Search** D14/192–198,
D14/188, 444, 445, 126, 257, 156, 160–165,
D14/441, 443, 135–137; D10/125, 113; D13/184;
369/75.11, 75.21

See application file for complete search history.

(56) **References Cited**

U.S. PATENT DOCUMENTS

| | | | | | |
|------------|---|---------|-----------------|-------|---------|
| D407,082 S | * | 3/1999 | Waler | | D14/442 |
| D412,905 S | * | 8/1999 | Miyazaki et al. | | D14/156 |
| D415,486 S | * | 10/1999 | Lee et al. | | D14/126 |
| D418,518 S | * | 1/2000 | Storti et al. | | D14/257 |
| D427,990 S | * | 7/2000 | Ito et al. | | D14/156 |
| D436,965 S | * | 1/2001 | Lin | | D14/441 |
| D450,774 S | * | 11/2001 | Whittier et al. | | D20/10 |

| | | | | | |
|------------|---|---------|-----------------|-------|---------|
| D454,372 S | * | 3/2002 | Whittier et al. | | D20/10 |
| D459,334 S | * | 6/2002 | Tsuge | | D14/156 |
| D462,392 S | * | 9/2002 | Whittier et al. | | D20/42 |
| D469,428 S | * | 1/2003 | Senda et al. | | D14/257 |
| D473,854 S | * | 4/2003 | Powell et al. | | D14/188 |
| D475,036 S | * | 5/2003 | Tejima | | D14/168 |
| D511,333 S | * | 11/2005 | Lai et al. | | D14/136 |
| D512,995 S | * | 12/2005 | Storti et al. | | D14/257 |

* cited by examiner

Primary Examiner—Caron D. Veynar

Assistant Examiner—Kelley A. Donnelly

(74) *Attorney, Agent, or Firm*—Plumsea Law Group, LLC

(57) **CLAIM**

The ornamental design for an audio component front face, as shown and described.

DESCRIPTION

FIG. 1 is a perspective view of an audio component front face showing our new design;

FIG. 2 is a front elevational view thereof;

FIG. 3 is a top plan view thereof;

FIG. 4 is a bottom plan view thereof;

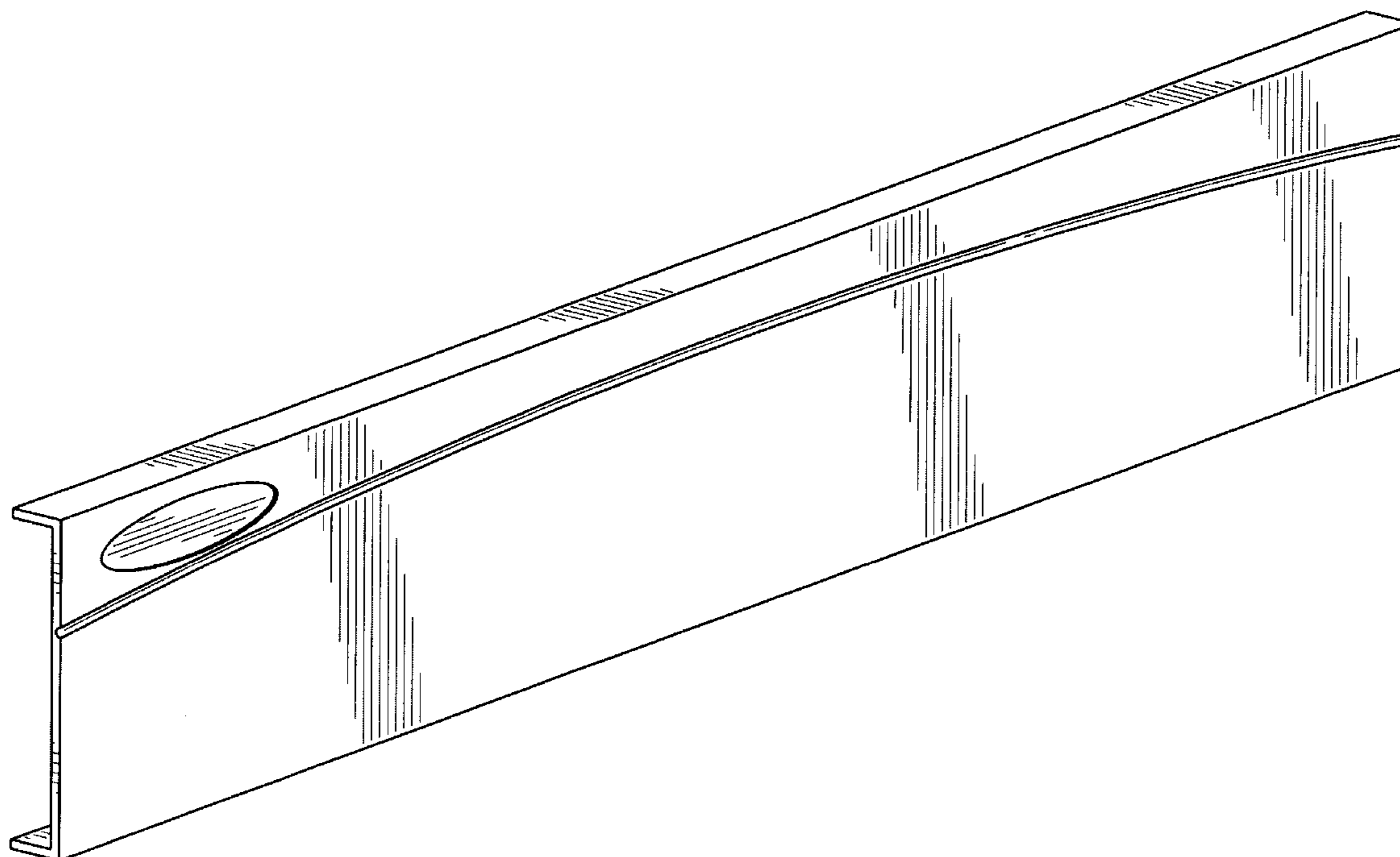
FIG. 5 is a side elevational view of one side thereof;

FIG. 6 is a side elevational view of the other side thereof; and,

FIG. 7 is a cross-section taken along line 7—7 of FIG. 2.

The rear surface of the front face is not illustrated and forms no part of the claimed invention.

1 Claim, 3 Drawing Sheets



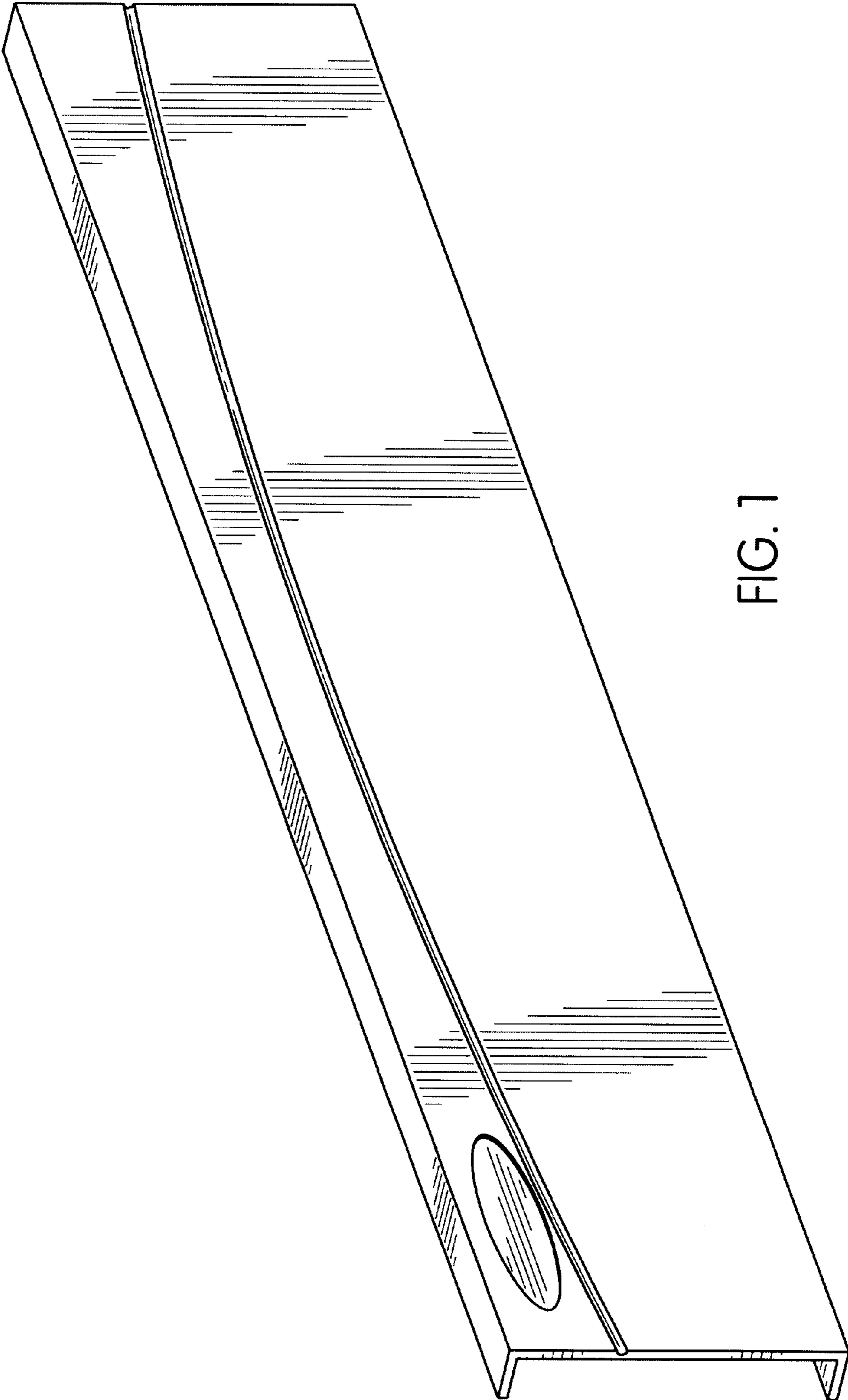


FIG. 1

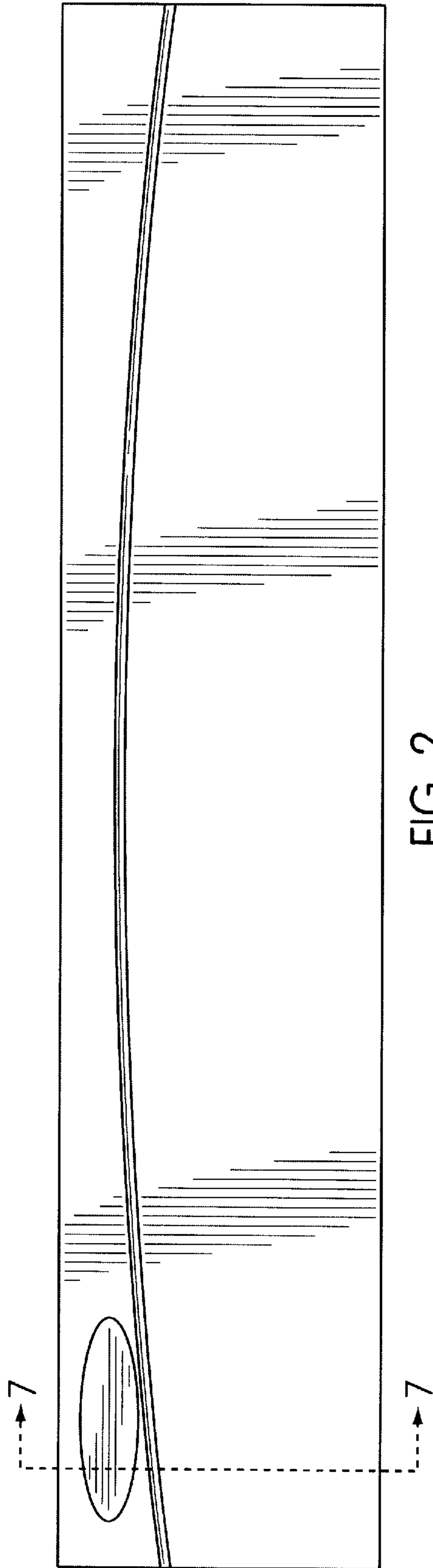


FIG. 2

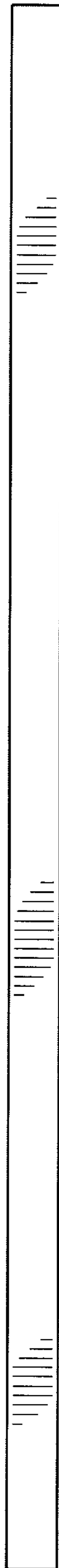


FIG. 3



FIG. 4



FIG. 5



FIG. 6



FIG. 7