



US00D540786S

(12) **United States Design Patent**
Hensen

(10) **Patent No.:** **US D540,786 S**

(45) **Date of Patent:** **** Apr. 17, 2007**

(54) **MICROPHONE HOLDER AND WINDCOVER**

(75) Inventor: **Ruben Hensen**, Græsted (DK)

(73) Assignee: **DPA Microphones A/S**, Allerød (DK)

(**) Term: **14 Years**

(21) Appl. No.: **29/218,948**

(22) Filed: **Dec. 10, 2004**

(51) **LOC (8) Cl.** **14-01**

(52) **U.S. Cl.** **D14/228**

(58) **Field of Classification Search** D14/226-229,
D14/225; 181/242; D10/59; D12/333; 116/28 R,
116/173, 174; 73/170.05, 170.06, 170.07
See application file for complete search history.

(56) **References Cited**

U.S. PATENT DOCUMENTS

1,579,034	A	*	3/1926	Roberts	73/170.05
1,736,109	A	*	11/1929	Barton	73/170.05
1,742,574	A	*	1/1930	Breedlove	73/170.06
2,236,114	A	*	3/1941	Randl	73/170.05
2,467,374	A	*	4/1949	Findlater	73/170.07
2,623,957	A	*	12/1952	Cragg et al.	181/242
4,627,278	A	*	12/1986	Soto	73/170.06
D292,701	S	*	11/1987	Drever	D14/228
4,730,488	A	*	3/1988	David	73/170.07
4,901,662	A	*	2/1990	Sandeen et al.	116/28 R
D315,105	S	*	3/1991	Sutton	D10/59
D328,872	S	*	8/1992	Sutton	D10/59
D387,687	S	*	12/1997	Larson	D10/59

* cited by examiner

Primary Examiner—Paula A. Greene

(74) *Attorney, Agent, or Firm*—The Nath Law Group;
Gregory B. Kang; Derek Richmond

(57) **CLAIM**

The ornamental design for a microphone holder and windcover, as shown and described.

DESCRIPTION

FIG. 1 is an oblique side view of the microphone holder and windcover;

FIG. 2 is a back view of the microphone holder and windcover;

FIG. 3 is a bottom view of the microphone holder and windcover

FIG. 4 is a right side view of the microphone holder and windcover;

FIG. 5 is a left side view of the microphone holder and windcover;

FIG. 6 is a top view of the microphone holder and windcover;

FIG. 7 is a front view of the microphone holder and windcover;

FIG. 8 is an oblique front view of the microphone holder;

FIG. 9 is a left side view of the microphone holder;

FIG. 10 is an oblique back view of the microphone holder;

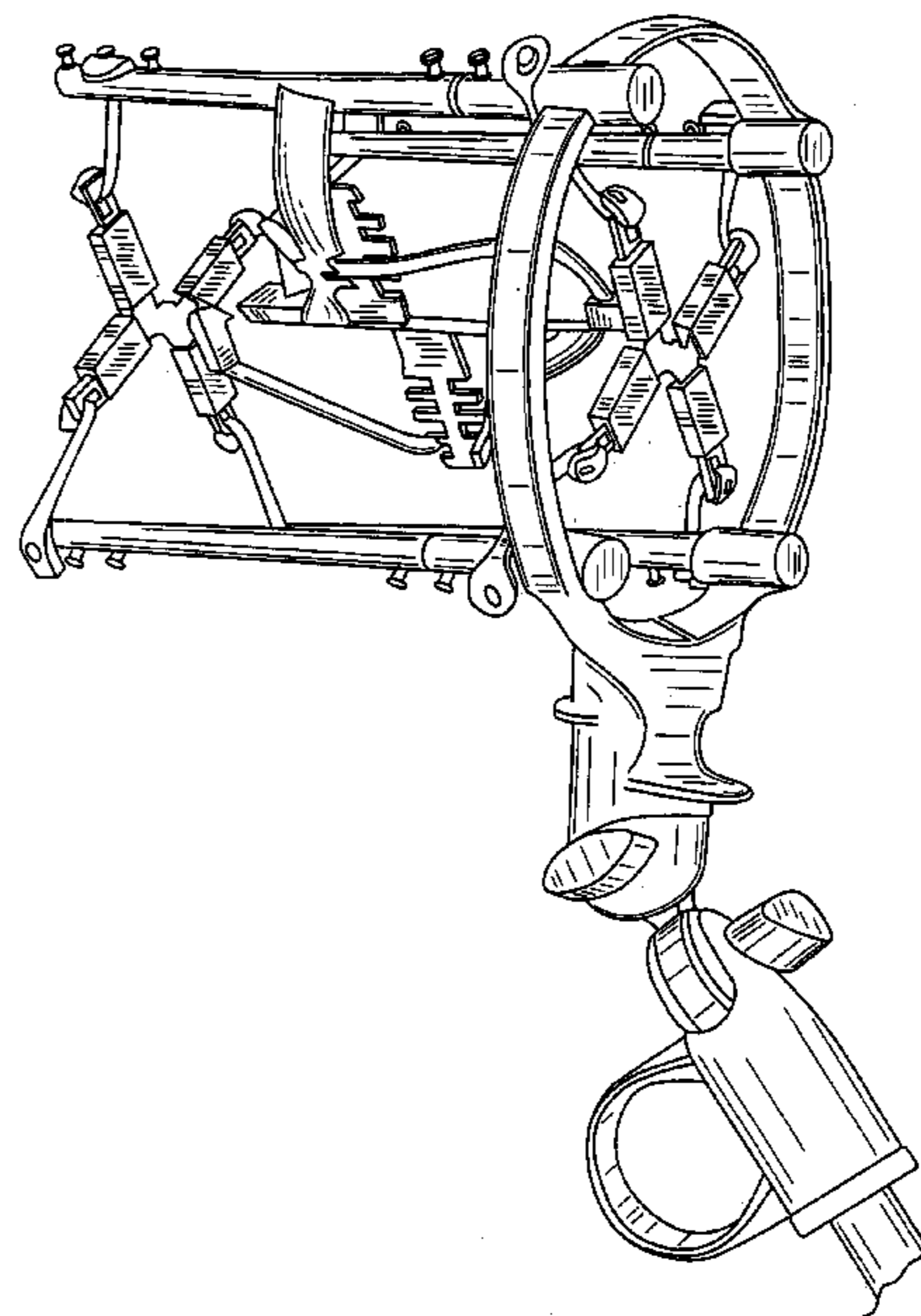
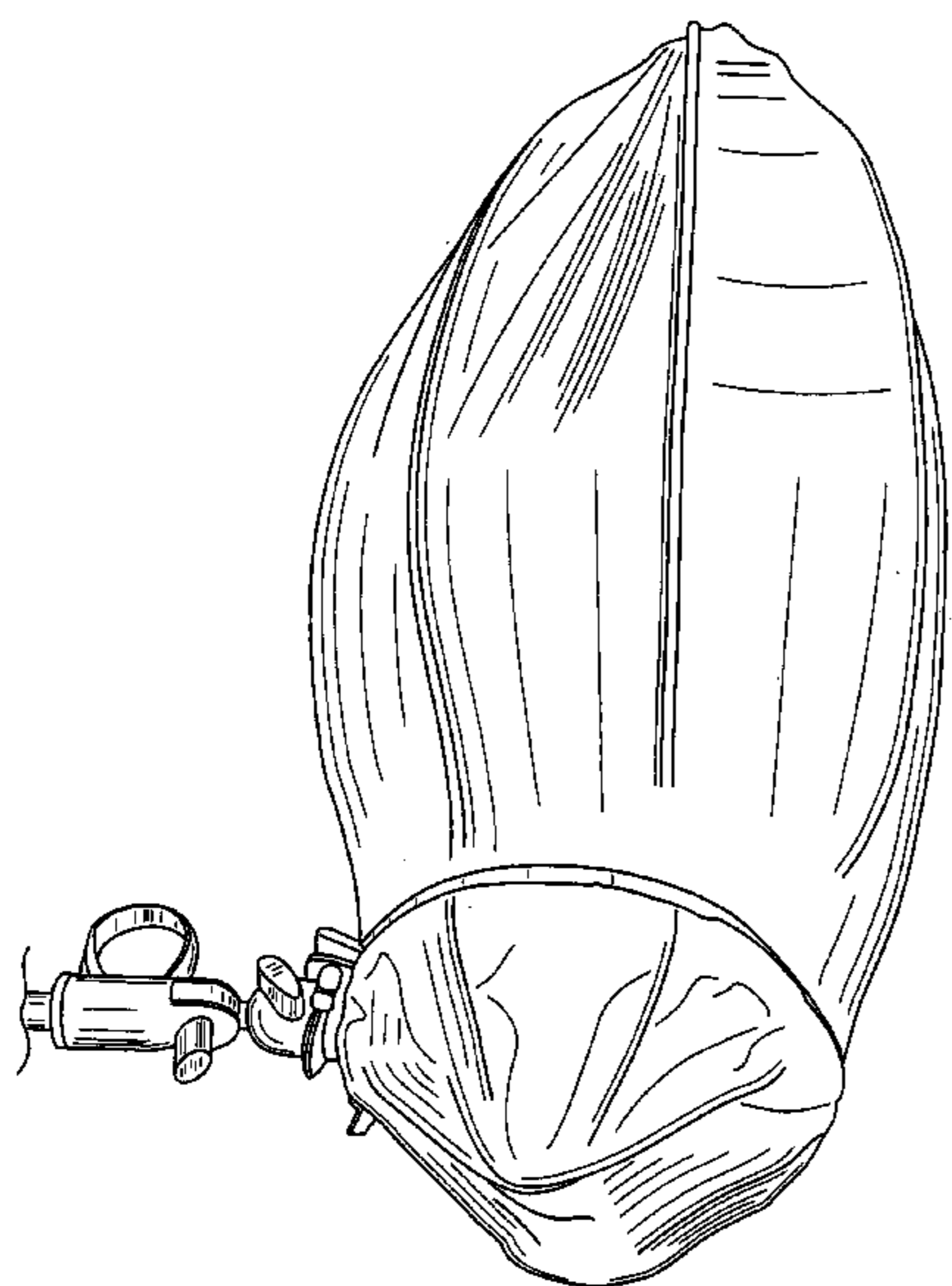
FIG. 11 is an oblique left side view of the microphone holder;

FIG. 12 is a further oblique left side view of the microphone holder shown in FIG. 11;

FIG. 13 is an oblique right side view of the microphone holder; and,

FIG. 14 is a right side view of the microphone holder.

1 Claim, 14 Drawing Sheets



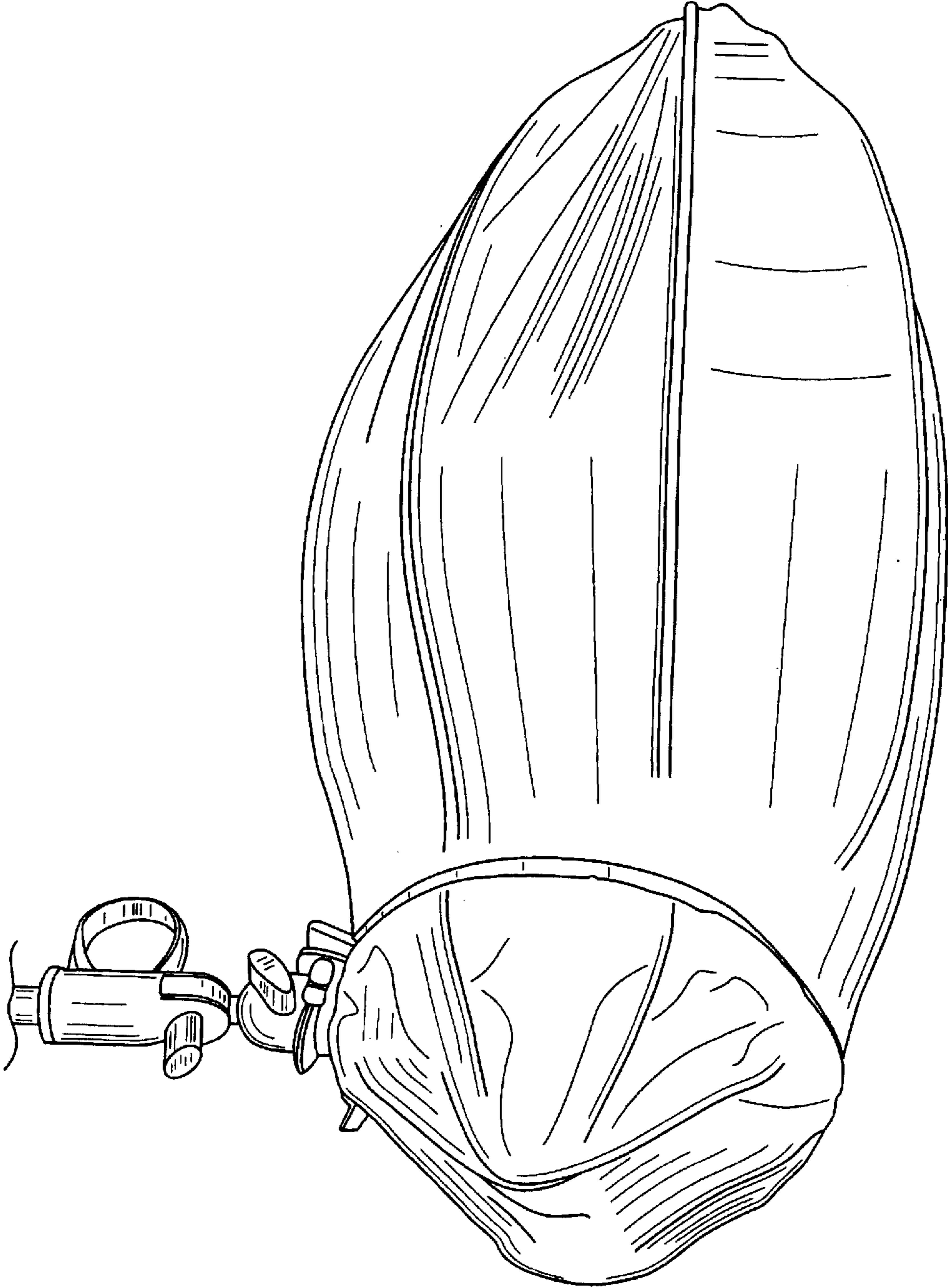


FIG. 1

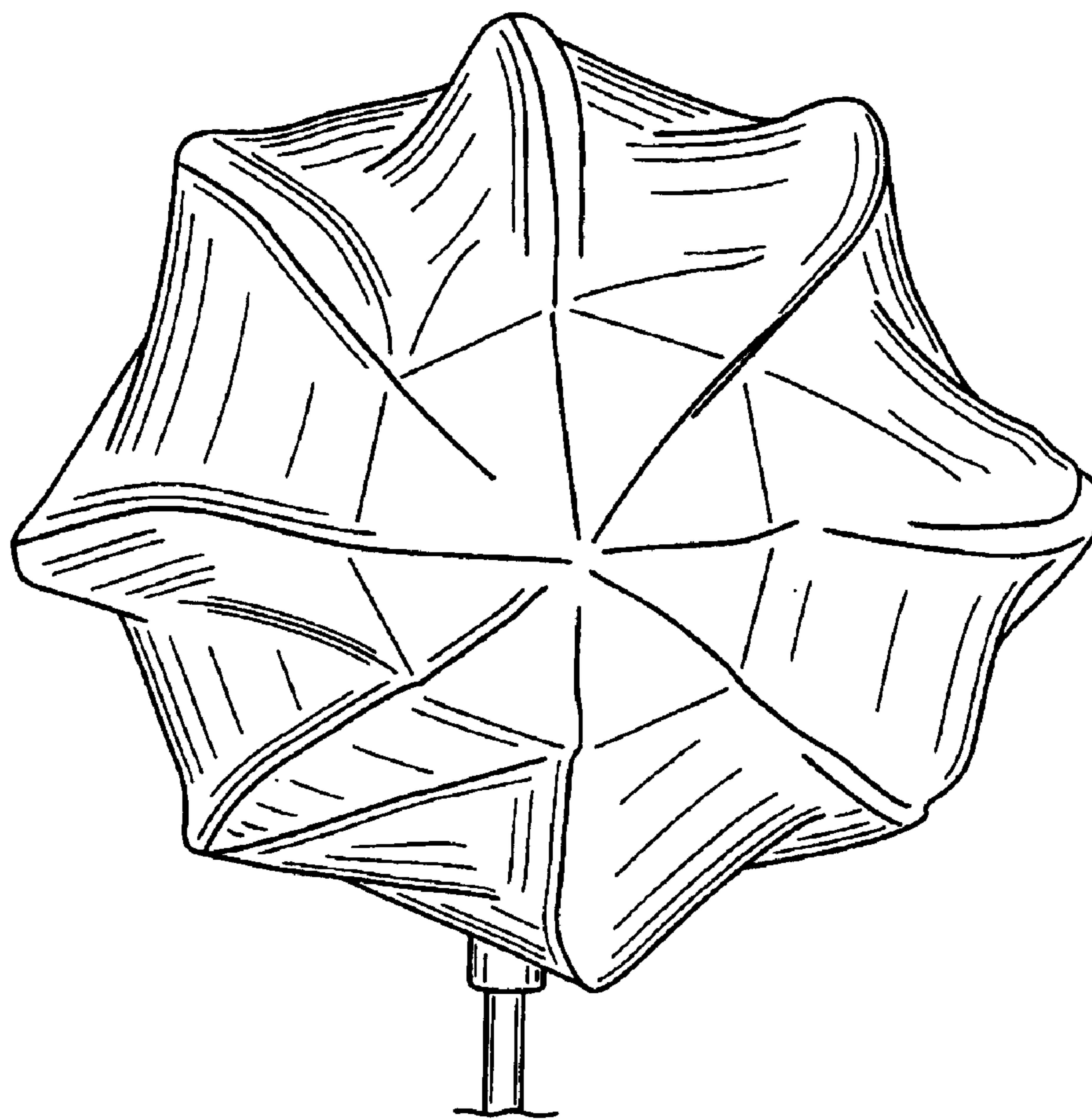


FIG. 2



FIG. 3

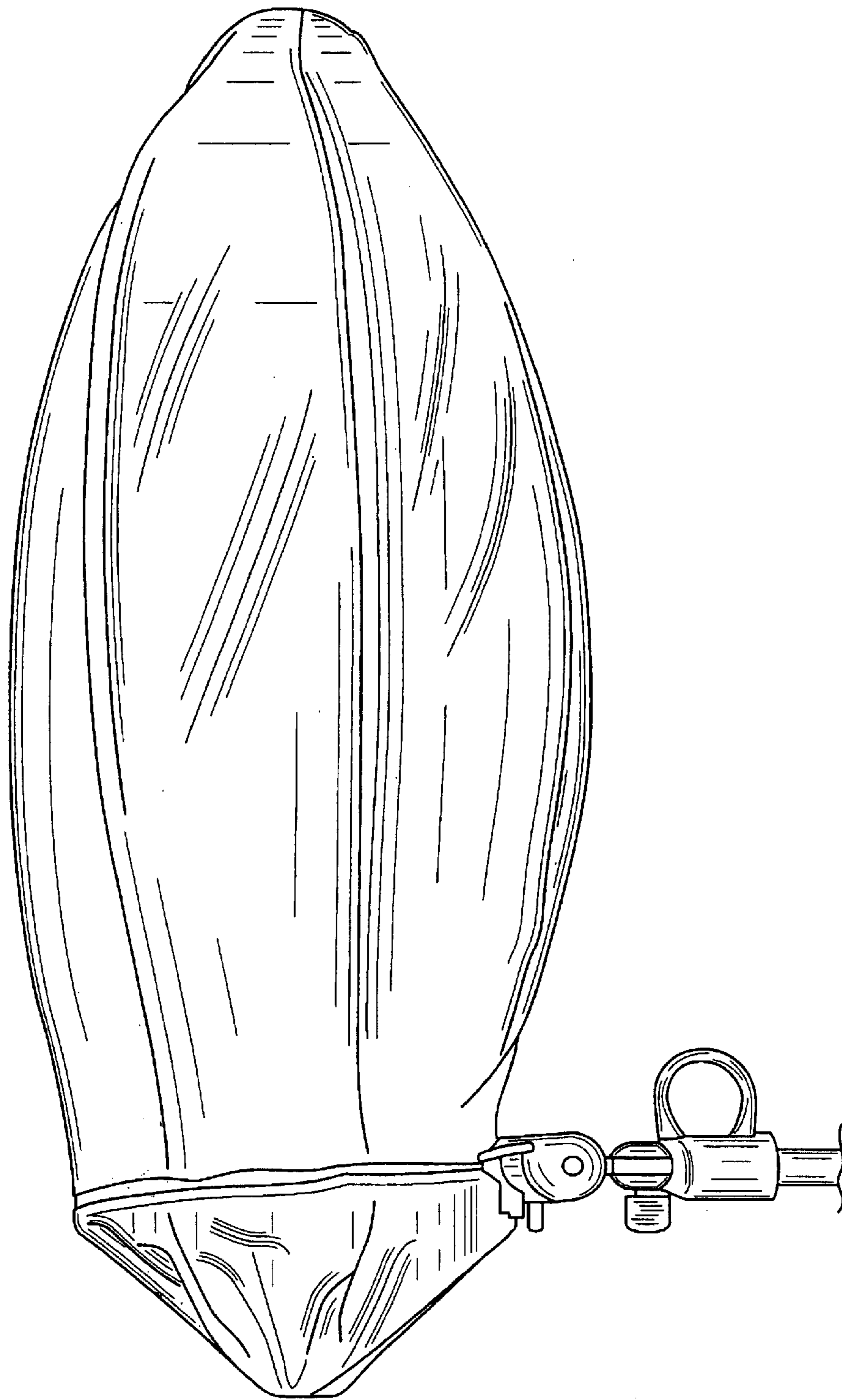


FIG. 4



FIG. 5



FIG. 6

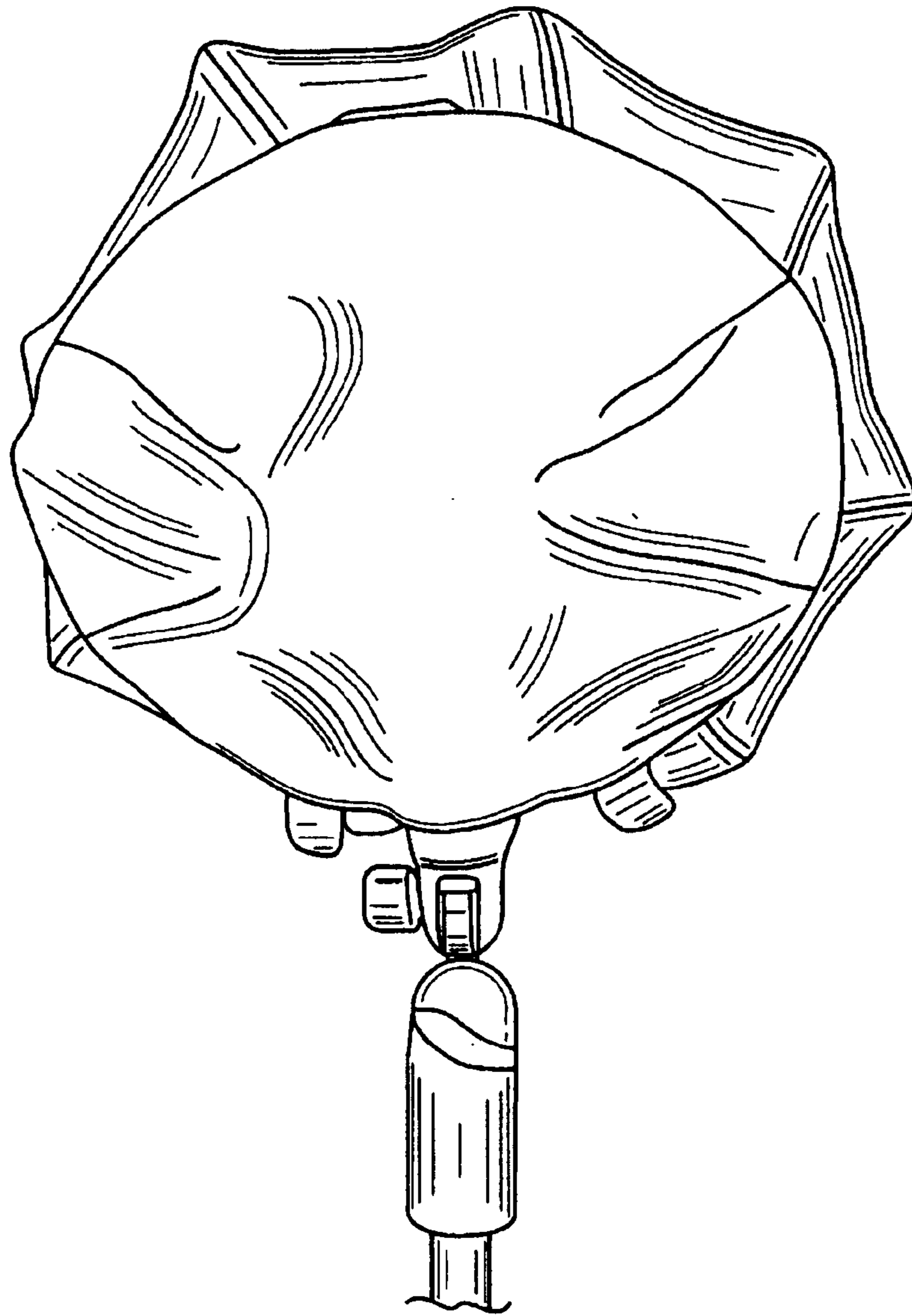


FIG. 7

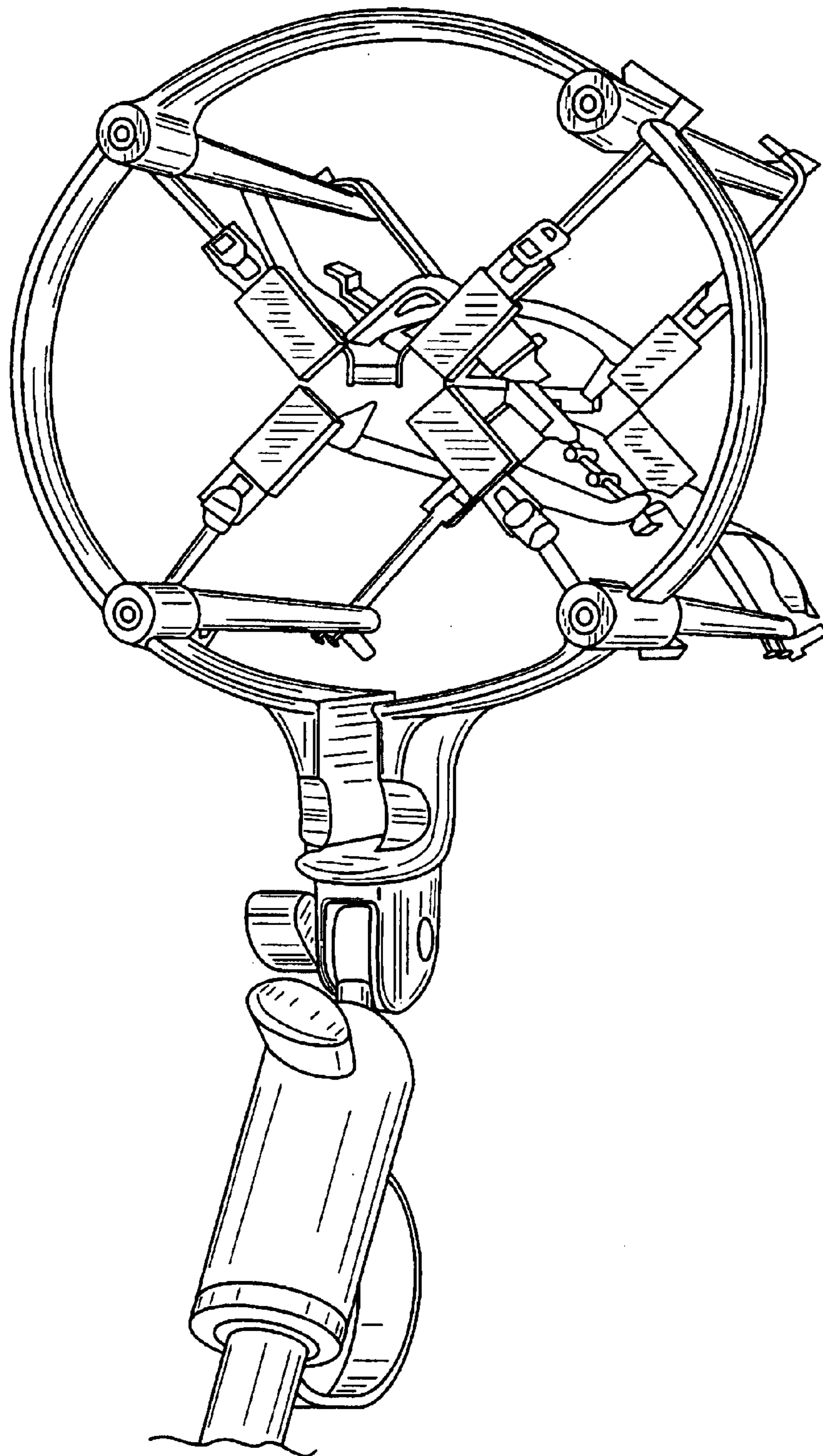


FIG. 8

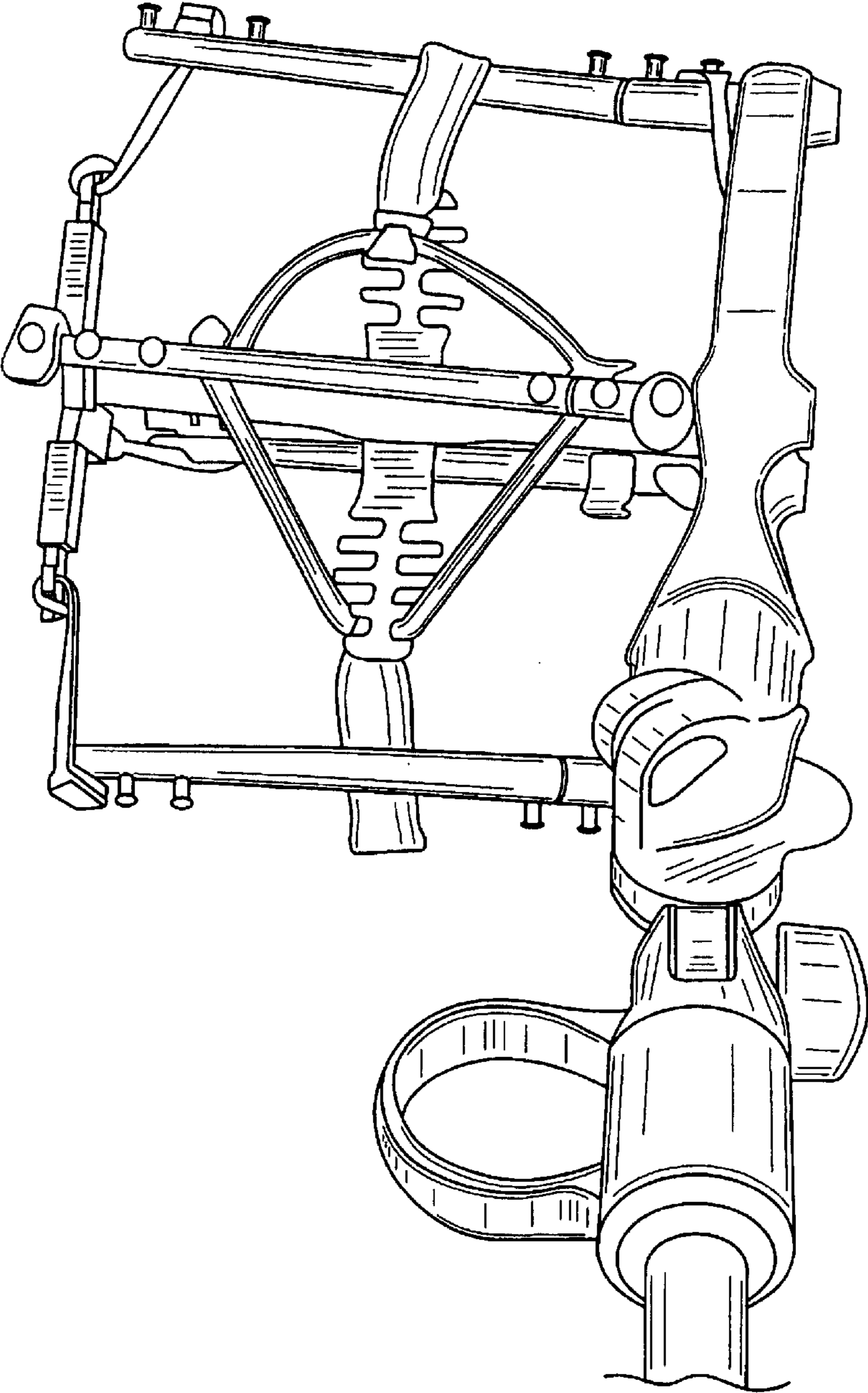


FIG. 9

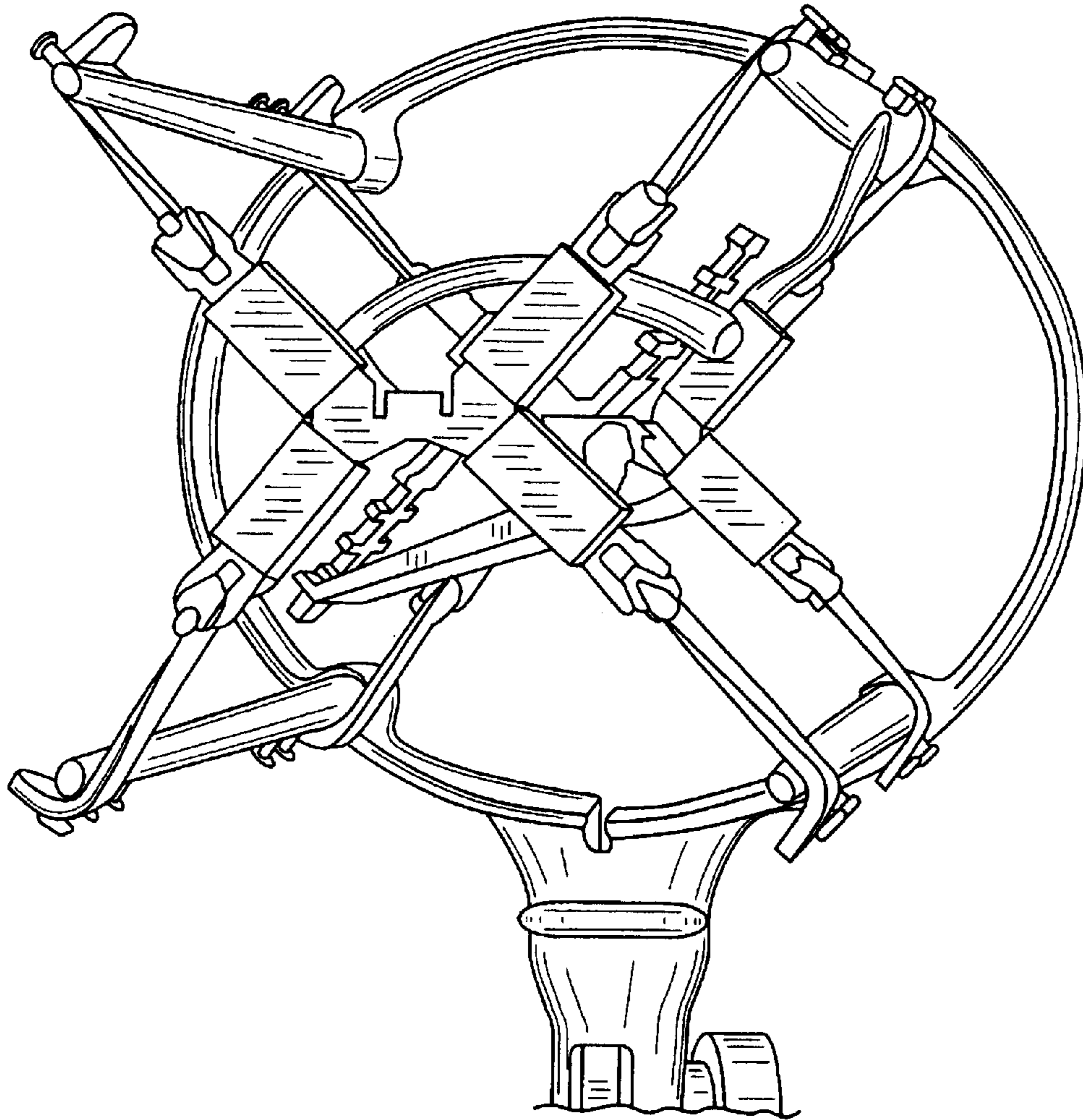


FIG. 10

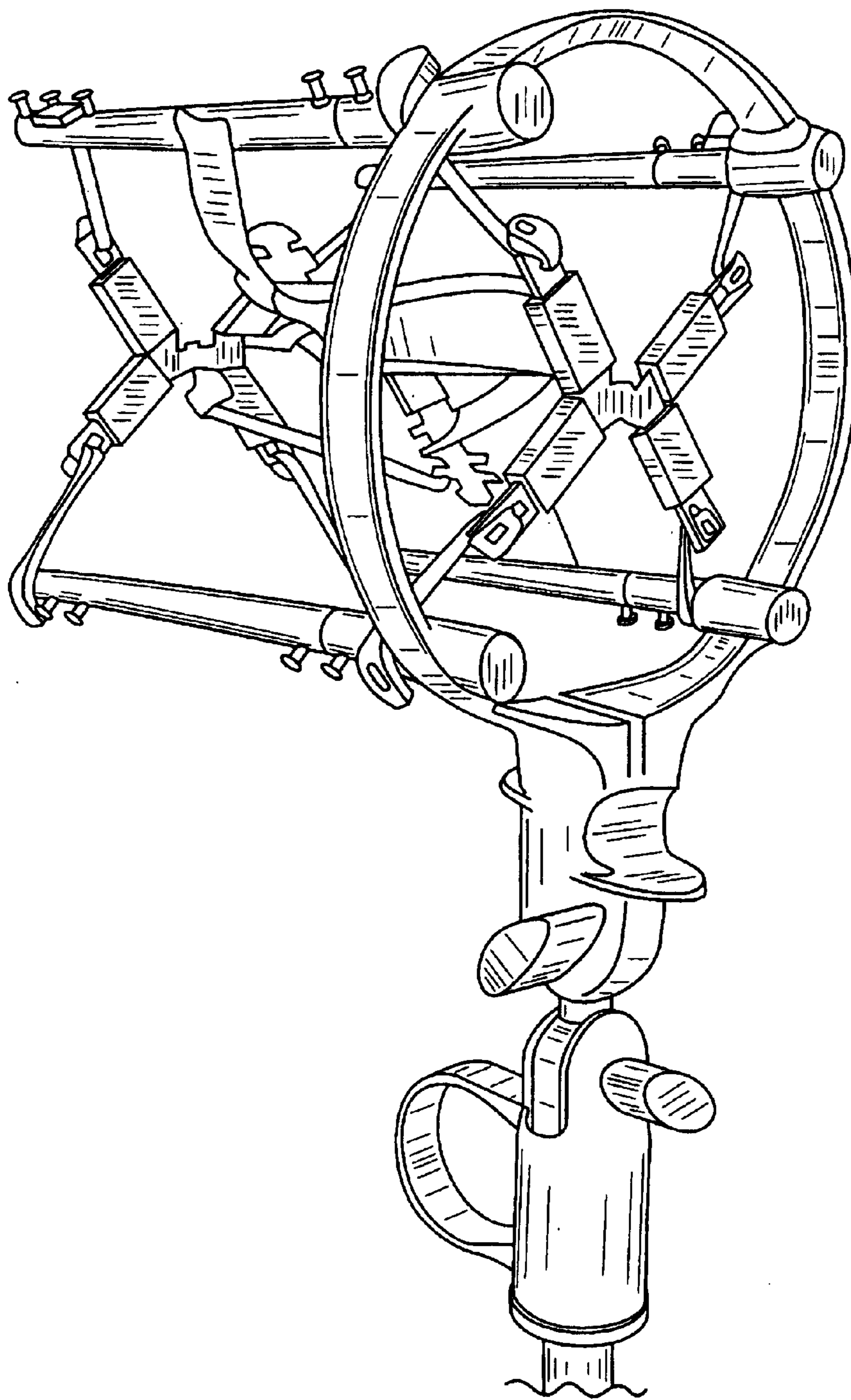


FIG. 11

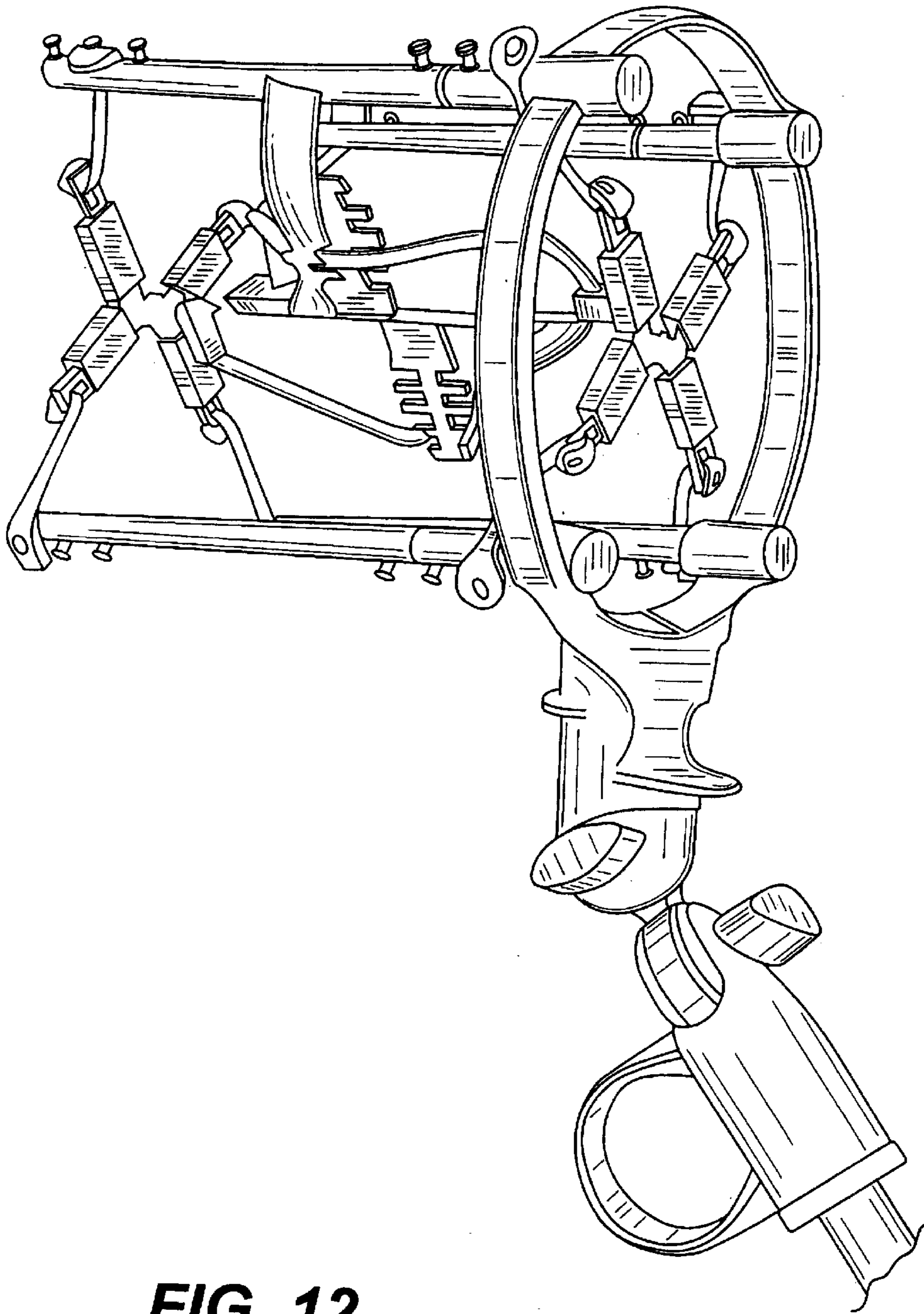


FIG. 12

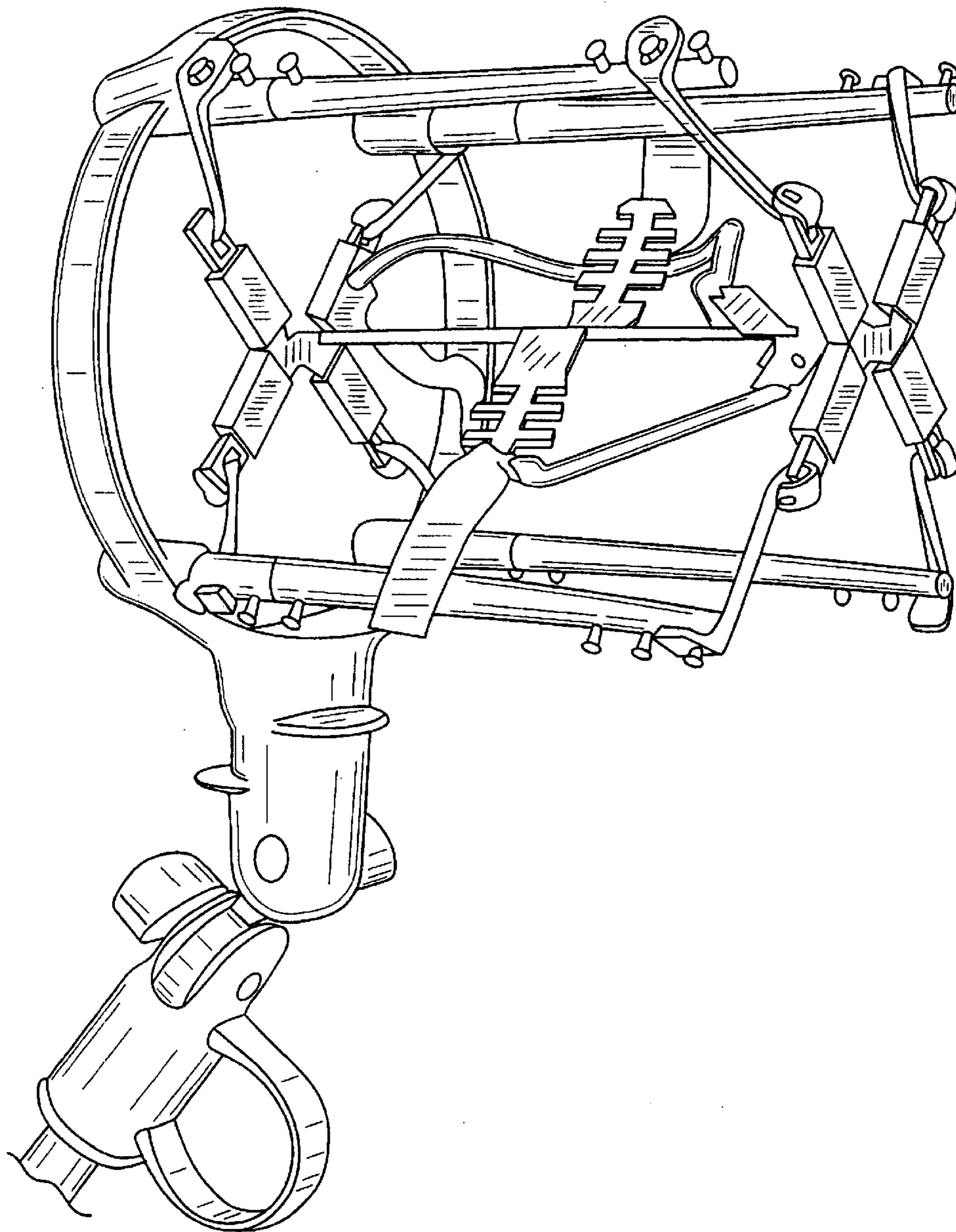


FIG. 13

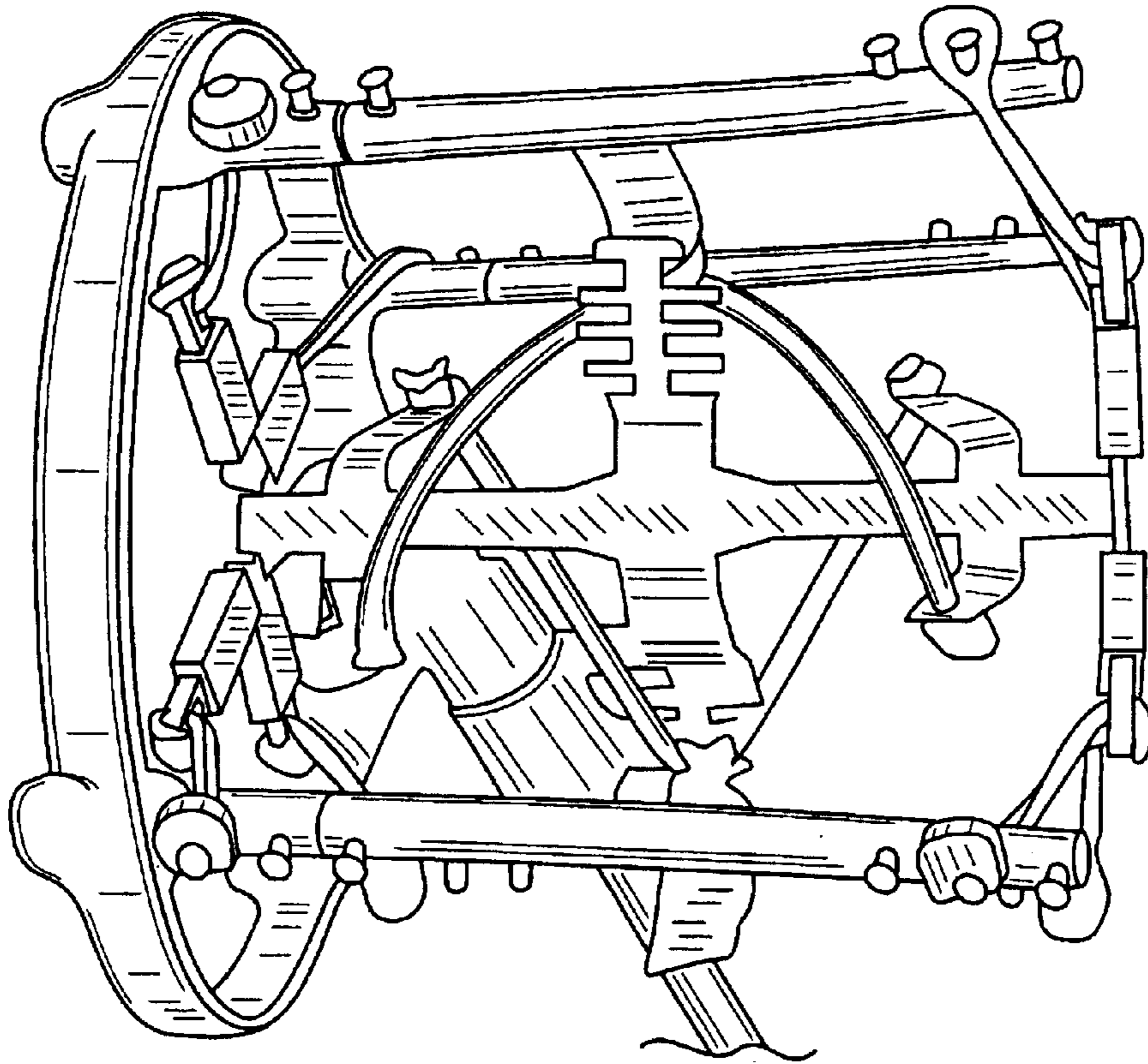


FIG. 14

UNITED STATES PATENT AND TRADEMARK OFFICE
CERTIFICATE OF CORRECTION

PATENT NO. : Des. 540,786 S
APPLICATION NO. : 29/218948
DATED : April 17, 2007
INVENTOR(S) : Ruben Hensen

Page 1 of 1

It is certified that error appears in the above-identified patent and that said Letters Patent is hereby corrected as shown below:

Title Page, Please insert:

(30) Foreign Application Priority Data
June 11, 2004 (EP) 000189758

Signed and Sealed this

Seventh Day of August, 2007

A handwritten signature in black ink on a dotted background. The signature reads "Jon W. Dudas" in a cursive style.

JON W. DUDAS

Director of the United States Patent and Trademark Office