

US00D540785S

(12) **United States Design Patent**  
**Quilling, II**

(10) **Patent No.:** **US D540,785 S**

(45) **Date of Patent:** **\*\* Apr. 17, 2007**

(54) **ISO/DIN AUTO STEREO MOUNTING  
DEVICE**

(75) **Inventor:** **R. Spencer Quilling, II**, DeLand, FL  
(US)

(73) **Assignee:** **Metra Electronics Corp.**, Holly Hills,  
FL (US)

(\*\*) **Term:** **14 Years**

(21) **Appl. No.:** **29/263,605**

(22) **Filed:** **Jul. 26, 2006**

(51) **LOC (8) Cl.** ..... **14-03**

(52) **U.S. Cl.** ..... **D14/224**

(58) **Field of Classification Search** ..... D14/445,  
D14/260.1, 258, 257, 224, 217, 198, 197,  
D14/196, 195, 194, 193, 192, 188, 168, 167,  
D14/156, 136, 191, 157; D12/415, 420; 455/344,  
455/350, 347; 248/27.3, 27.1, 558  
See application file for complete search history.

(56) **References Cited**

**U.S. PATENT DOCUMENTS**

D422,280 S \* 4/2000 Zeitman ..... D14/156

D444,074 S \* 6/2001 Duke ..... D10/15

D459,721 S \* 7/2002 Gonopolskaya et al. ... D14/257  
D481,707 S \* 11/2003 Quilling et al. .... D14/224  
D492,288 S \* 6/2004 Quilling, II ..... D14/224  
D519,995 S \* 5/2006 Quilling, II ..... D14/258  
2006/0095166 A1 \* 5/2006 Daly et al. .... 701/1

\* cited by examiner

*Primary Examiner*—Cathron C. Brooks

*Assistant Examiner*—Austin Murphy

(74) *Attorney, Agent, or Firm*—John Wiley Horton

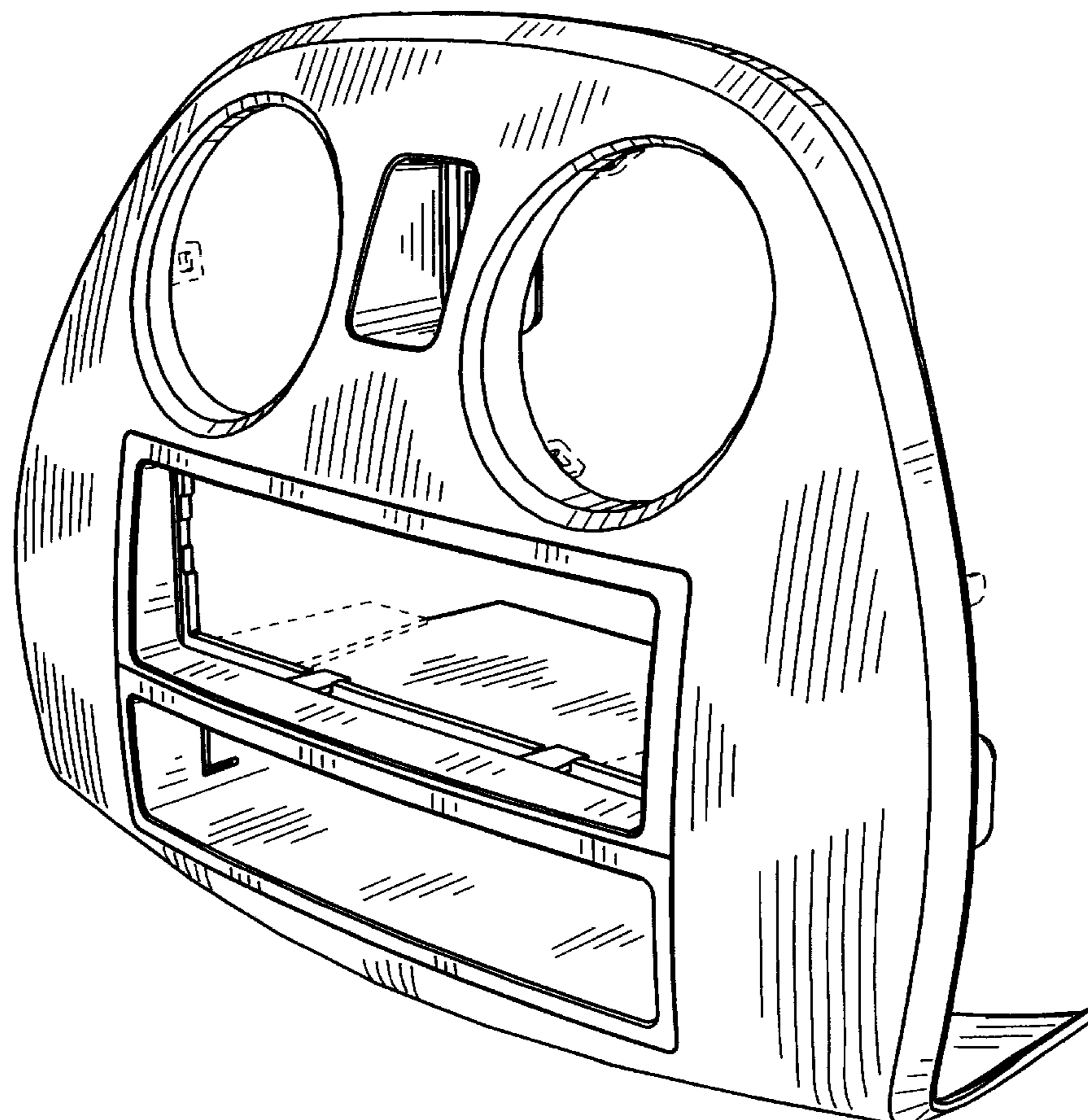
(57) **CLAIM**

The ornamental design for an ISO/DIN auto stereo mounting device, as shown and described.

**DESCRIPTION**

FIG. 1 is a perspective view of an ISO/DIN auto stereo mounting device, showing my design;  
FIG. 2 is a front elevation view of FIG. 1;  
FIG. 3 is a rear elevation view of FIG. 1;  
FIG. 4 is a right side elevation view of FIG. 1;  
FIG. 5 is a left side elevation view of FIG. 1;  
FIG. 6 is a top plan view of FIG. 1; and,  
FIG. 7 is a bottom plan view of FIG. 1.  
The broken lines shown in the drawings form no part of the claimed design.

**1 Claim, 7 Drawing Sheets**



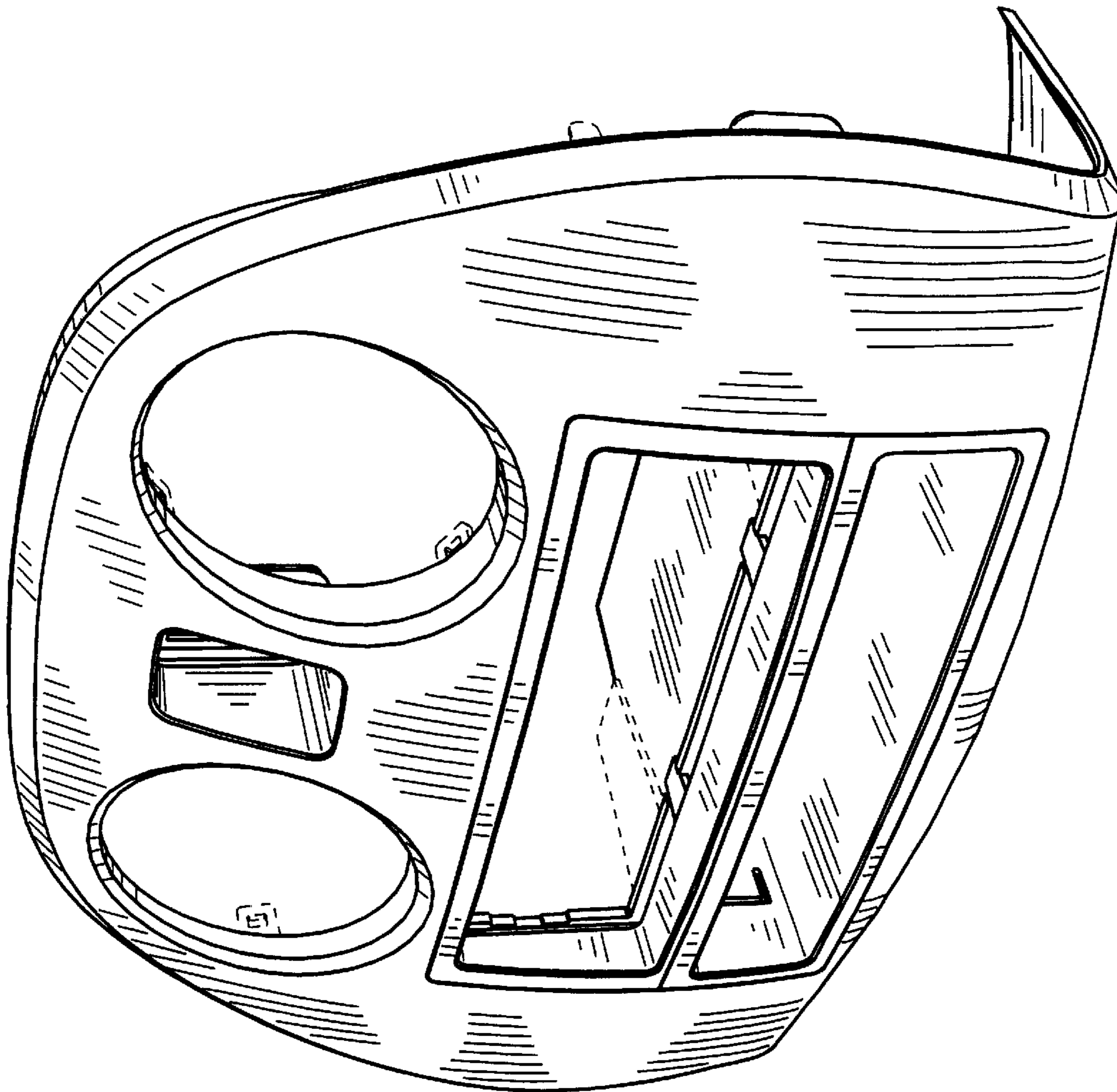
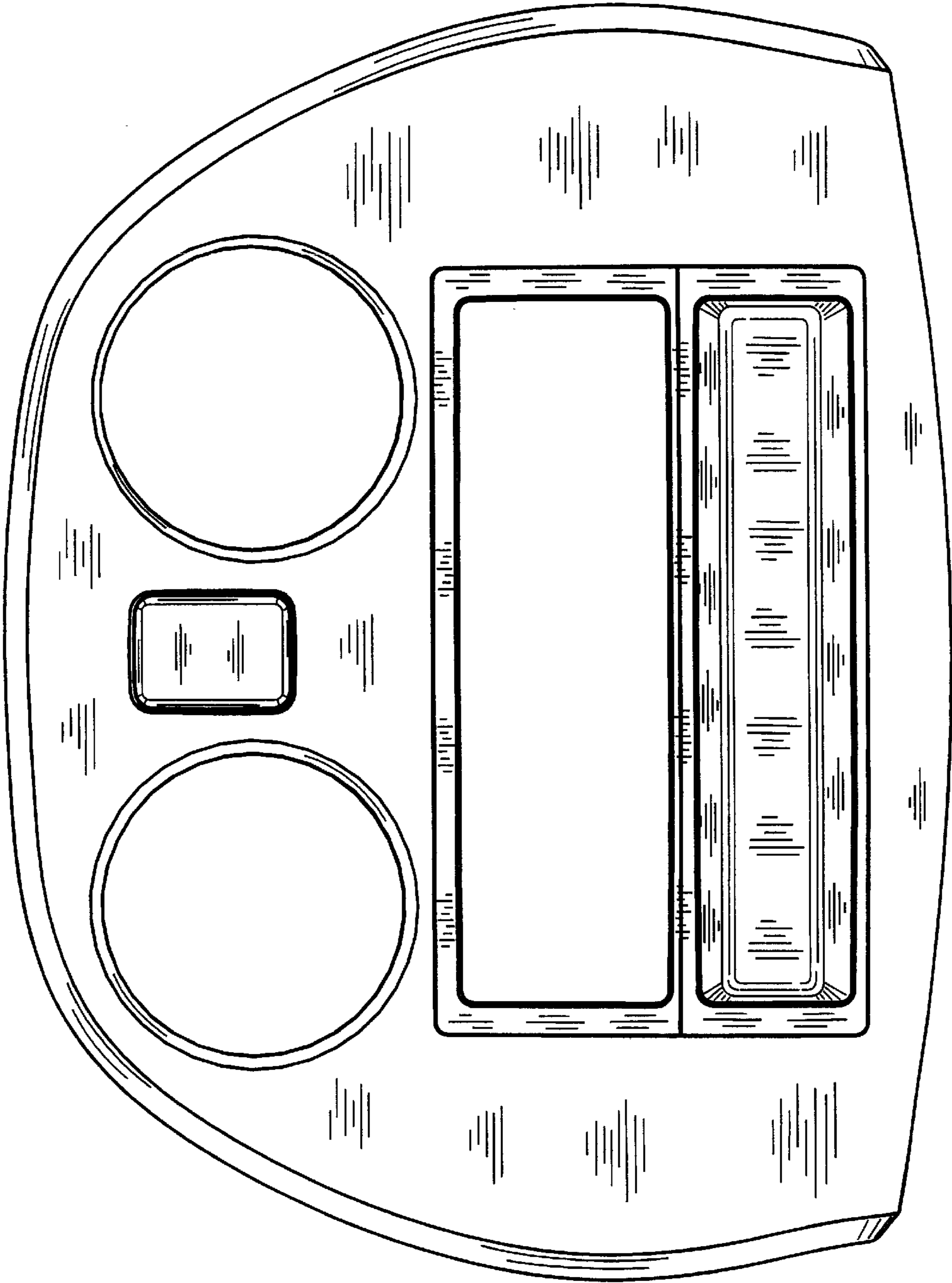


FIG. 1



**FIG. 2**

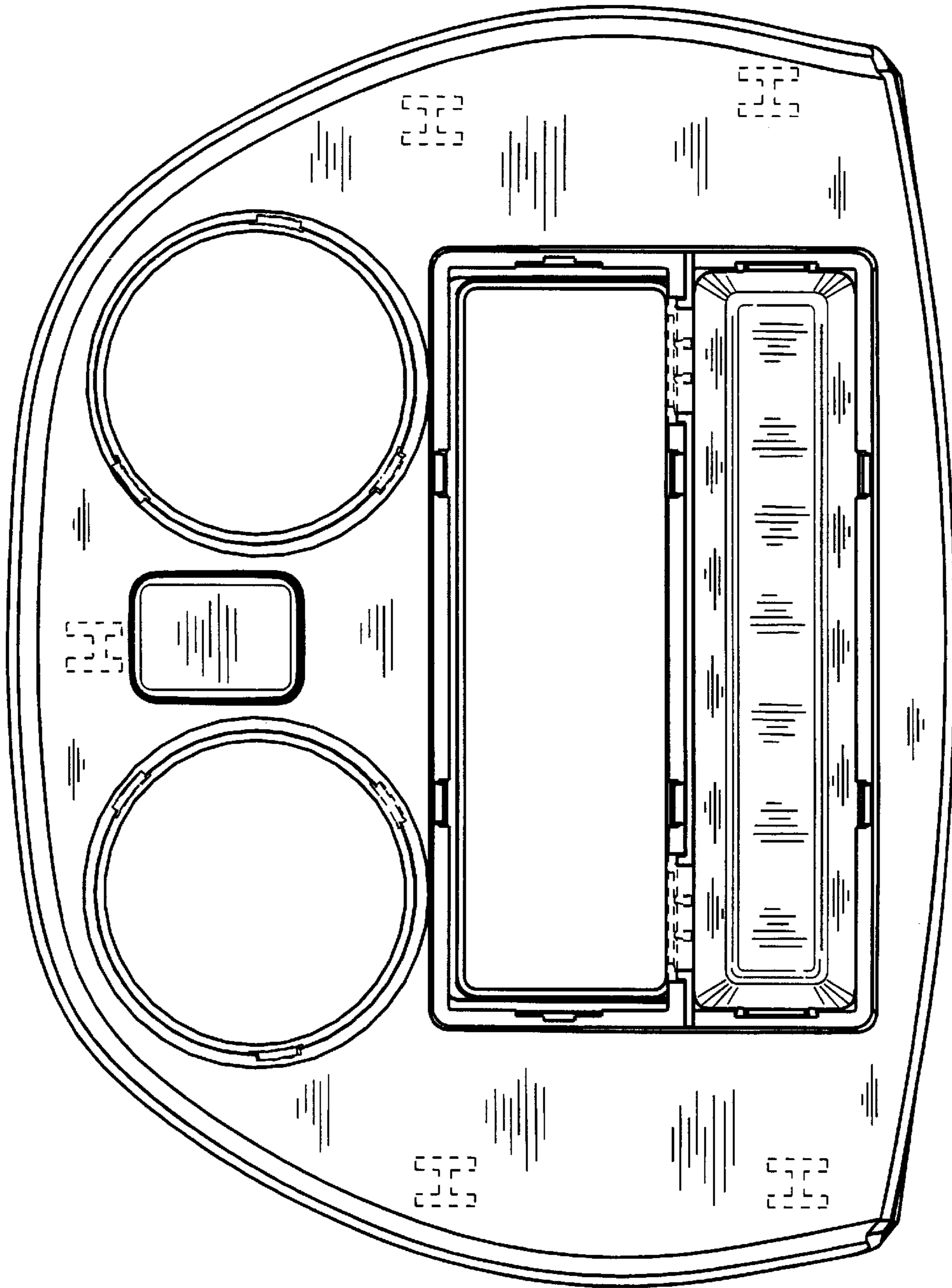
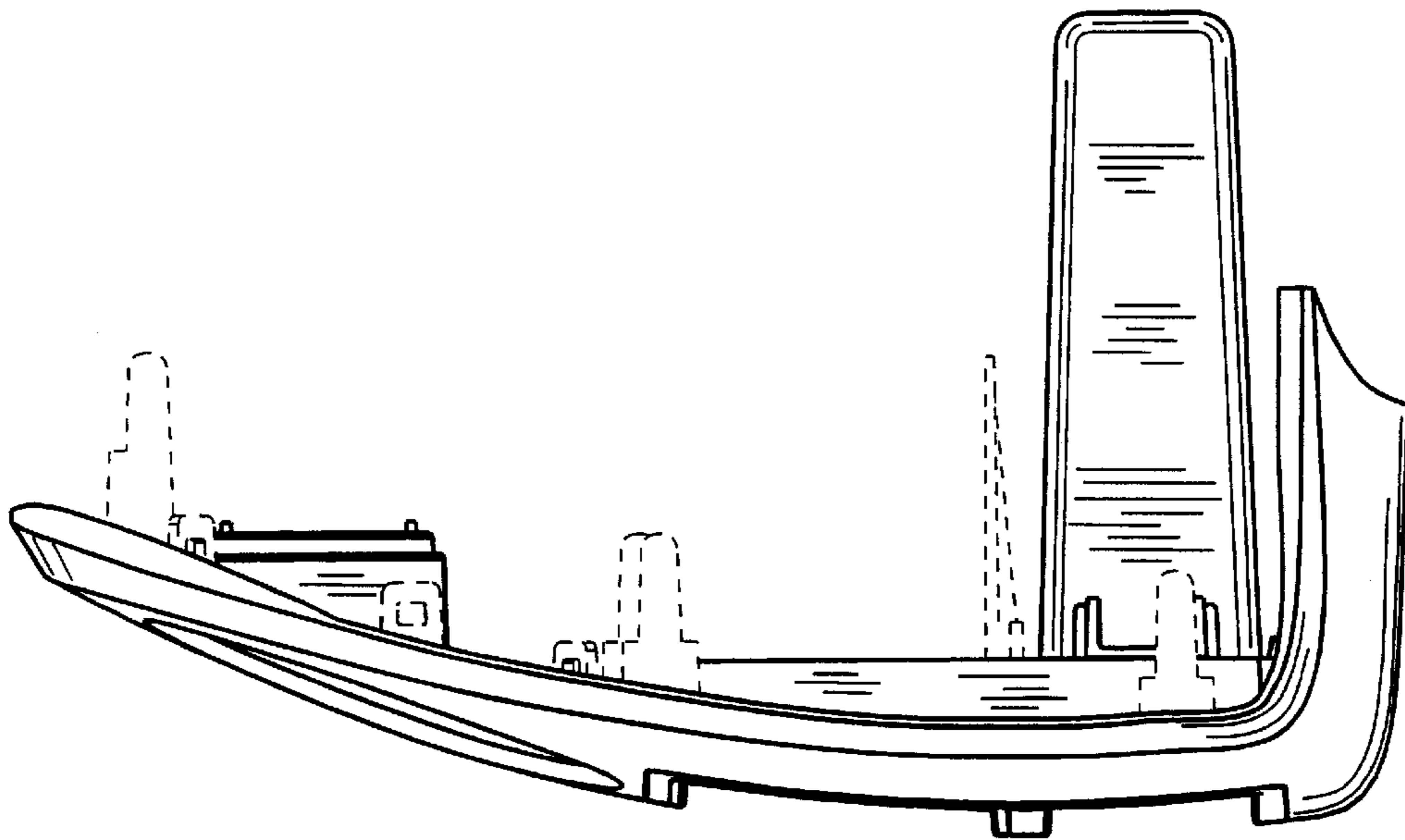
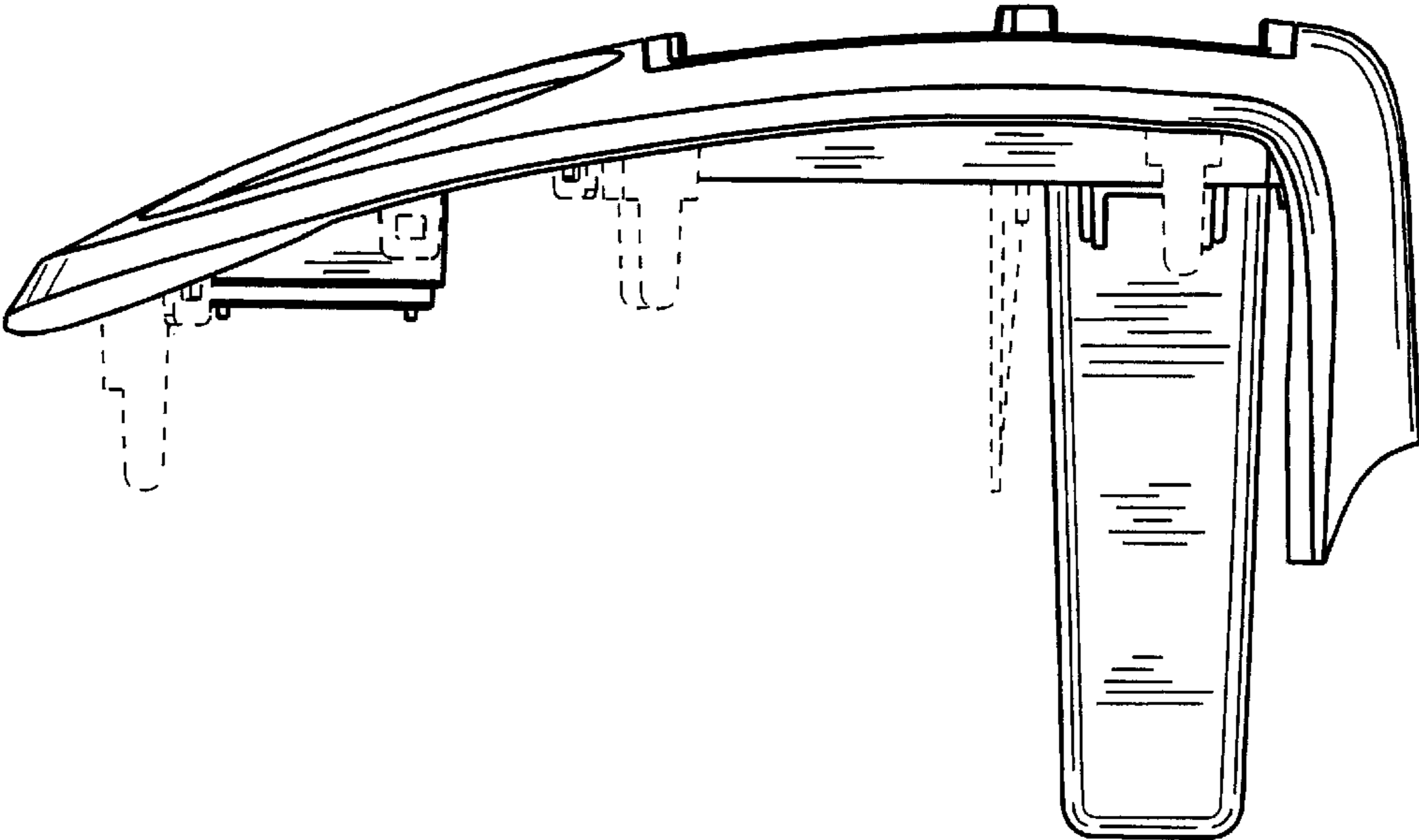


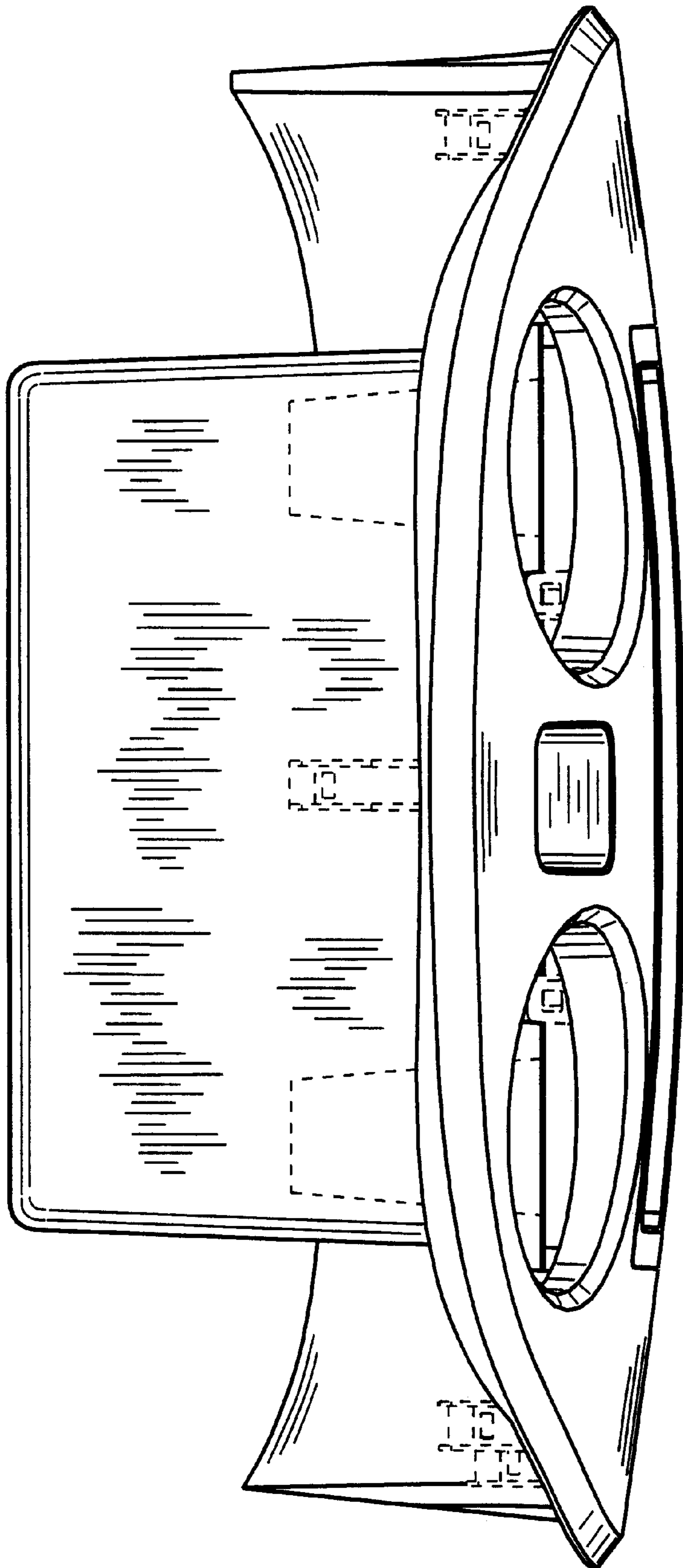
FIG. 3



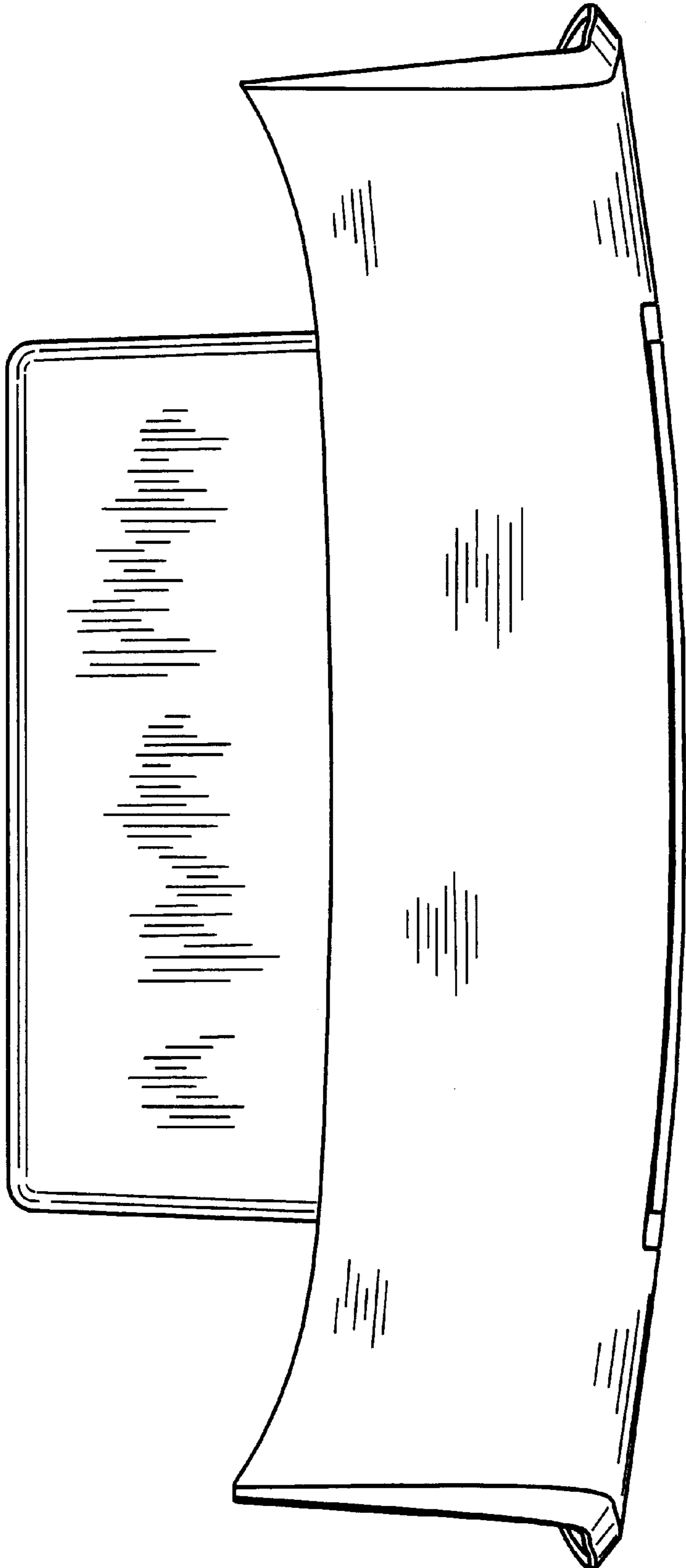
**FIG. 4**



**FIG. 5**



**FIG. 6**



**FIG. 7**