



US00D540783S

(12) **United States Design Patent**
Hakoda

(10) **Patent No.:** **US D540,783 S**

(45) **Date of Patent:** **** Apr. 17, 2007**

(54) **SPEAKER BOX**

(75) Inventor: **Katsuhisa Hakoda**, Tokyo (JP)

(73) Assignee: **Sony Corporation**, Tokyo (JP)

(**) Term: **14 Years**

(21) Appl. No.: **29/254,680**

(22) Filed: **Feb. 28, 2006**

(30) **Foreign Application Priority Data**

Sep. 9, 2005 (JP) D2005-026118

(51) **LOC (8) Cl.** **14-01**

(52) **U.S. Cl.** **D14/214**

(58) **Field of Classification Search** D14/204,
D14/209-216; 181/143-144, 147-148, 150,
181/157, 198-199, 151, 153; 381/300-302,
381/306, 333, 345, 361-364, 386-388, 332,
381/336

See application file for complete search history.

(56) **References Cited**

U.S. PATENT DOCUMENTS

D392,974 S * 3/1998 Fenner et al. D14/214

D432,117 S 10/2000 Miyazaki
D435,539 S * 12/2000 Tsuge D14/214
D476,312 S * 6/2003 Harris et al. D14/214
D501,199 S * 1/2005 Wang D14/215
D503,169 S * 3/2005 Hisatsune D14/214
D509,212 S 9/2005 Hioki
D512,412 S * 12/2005 Tsuge D14/214

* cited by examiner

Primary Examiner—Nanda Bondade

(74) *Attorney, Agent, or Firm*—Rader, Fishman & Grauer
PLLC

(57) **CLAIM**

The ornamental design for a speaker box, as shown.

DESCRIPTION

FIG. 1 is a perspective view of a speaker box showing my
new design;

FIG. 2 is a front elevational view thereof;

FIG. 3 is a rear elevational view thereof;

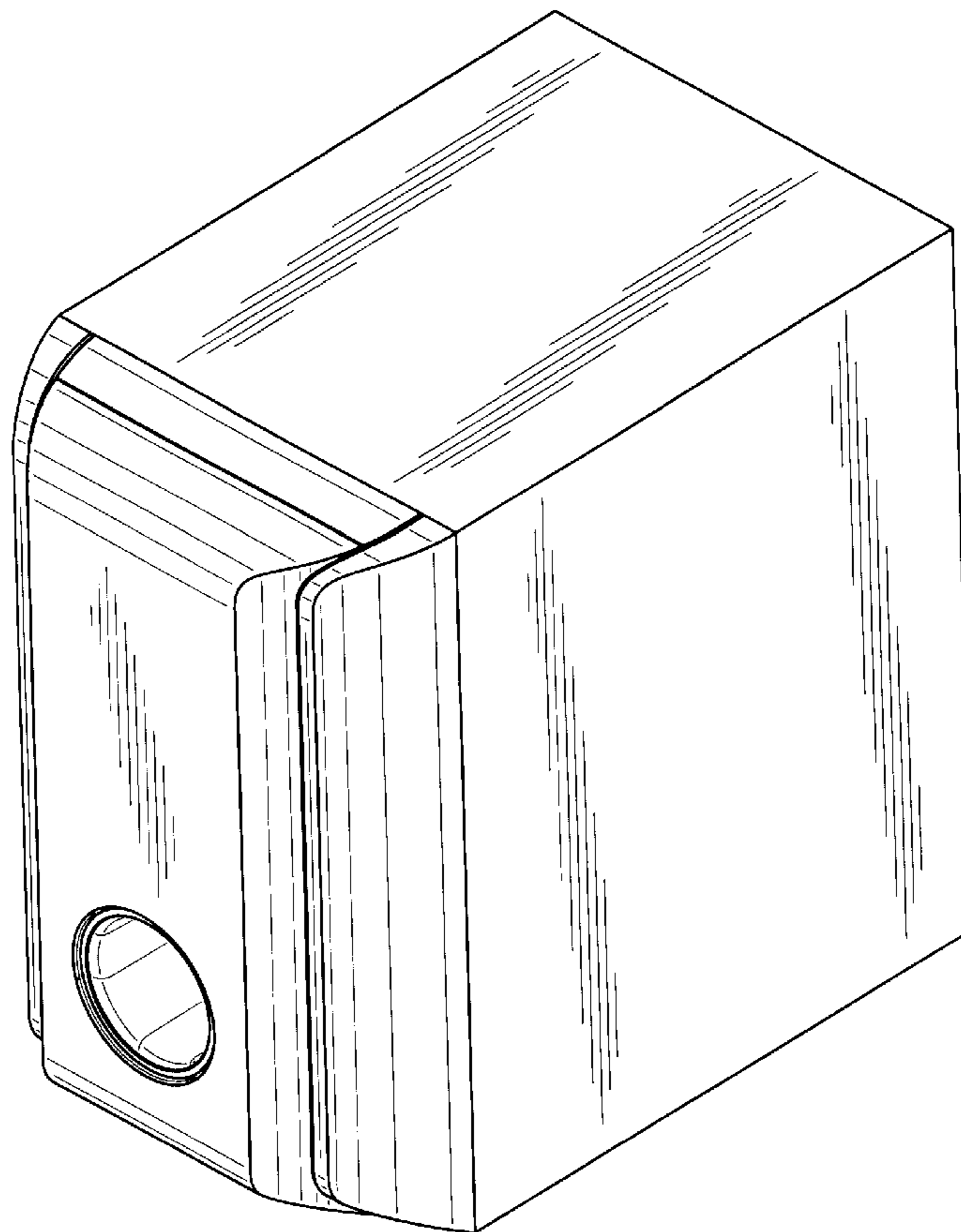
FIG. 4 is a left side elevational view thereof;

FIG. 5 is a right side elevational view thereof;

FIG. 6 is a top plan view thereof; and,

FIG. 7 is a bottom plan view thereof.

1 Claim, 7 Drawing Sheets



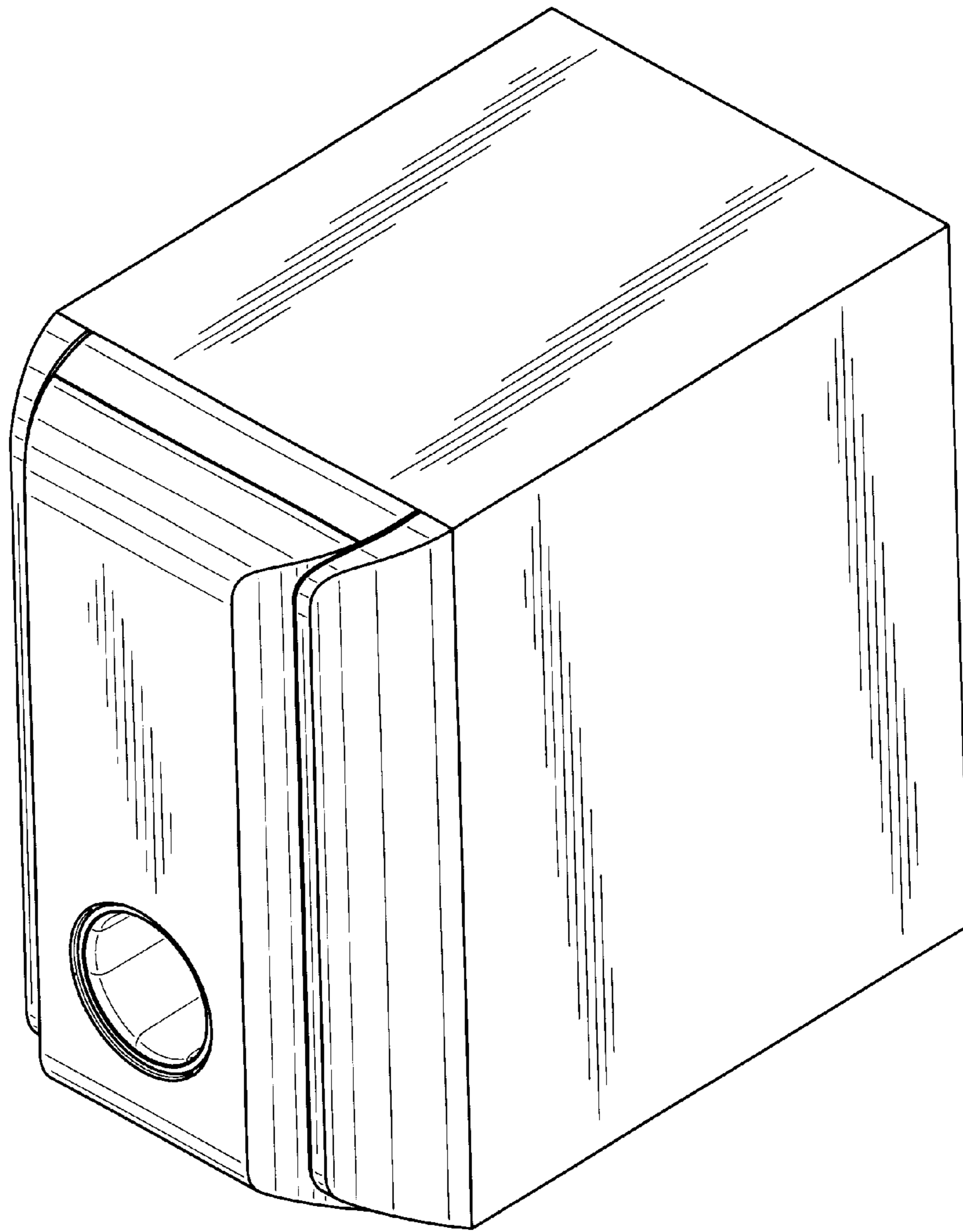


FIG. 1

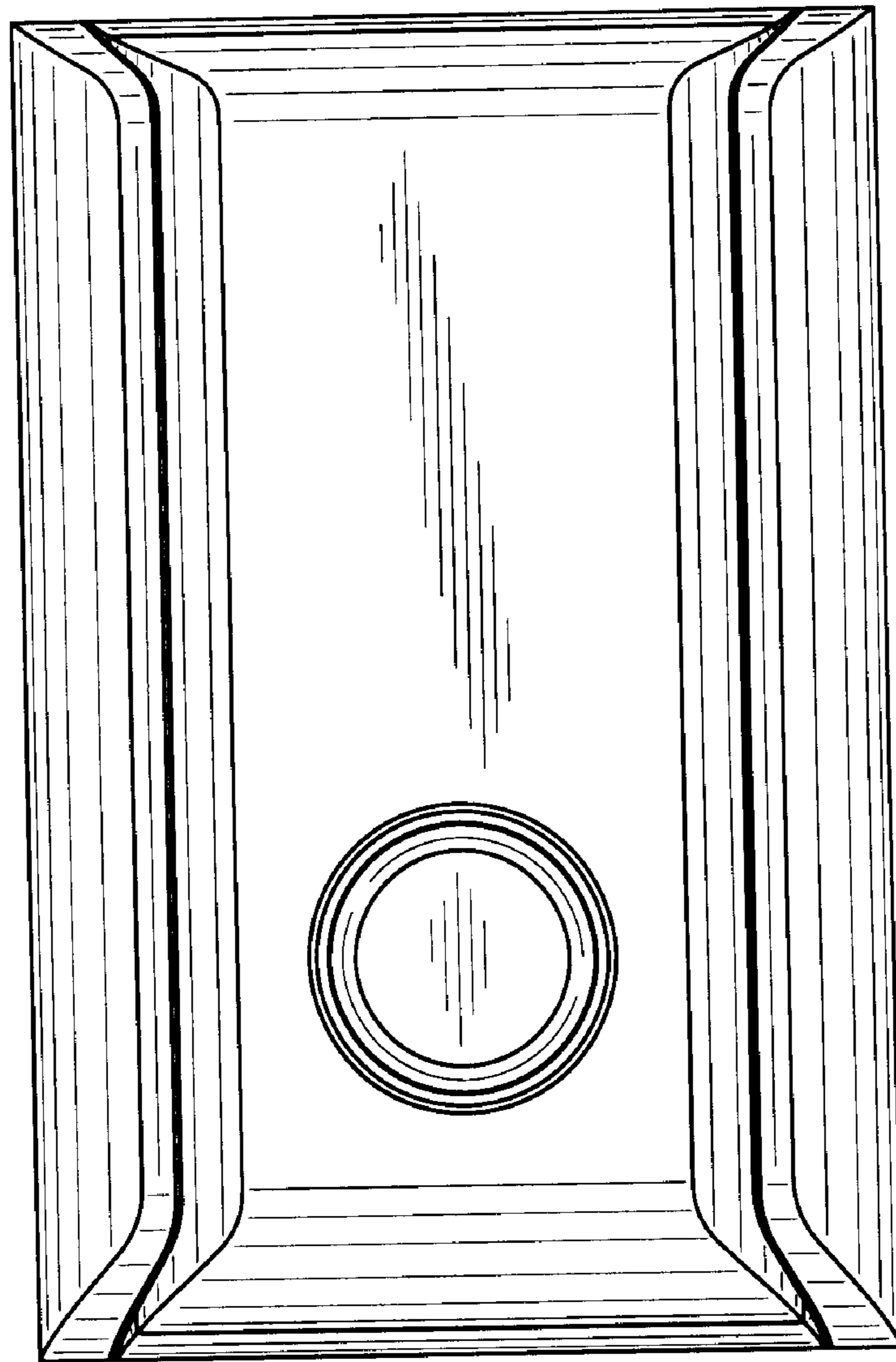


FIG. 2

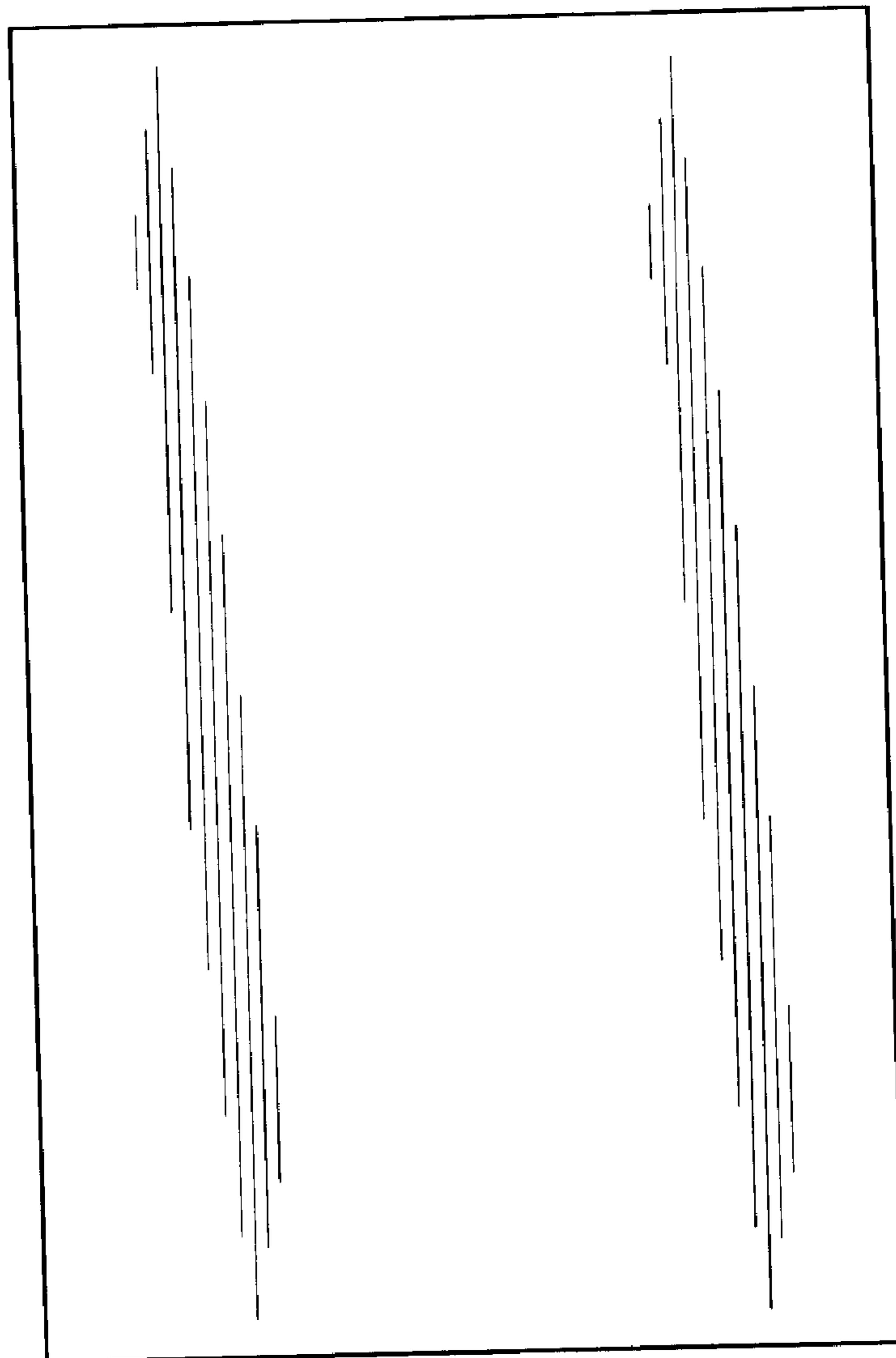


FIG. 3

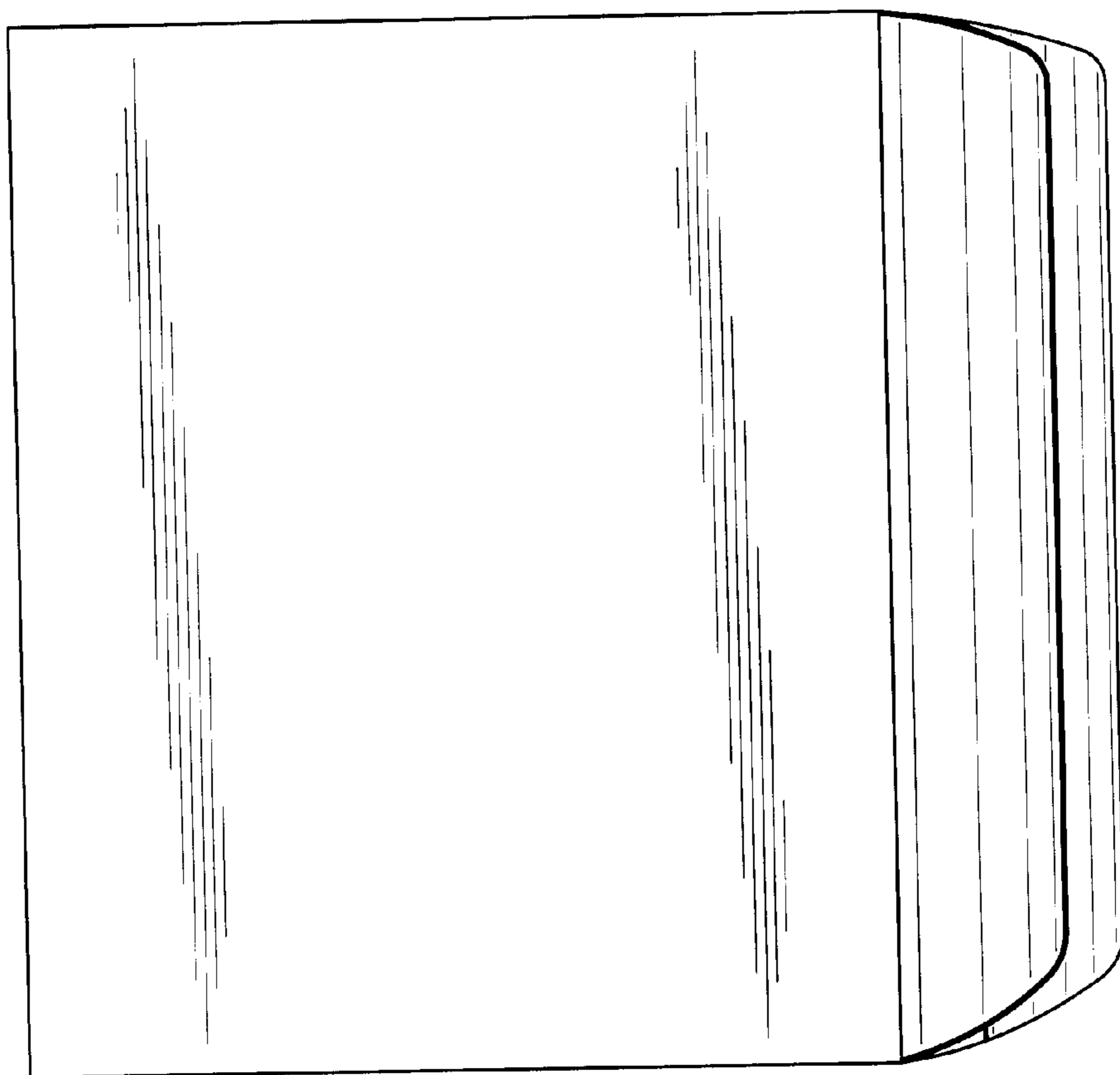


FIG. 4

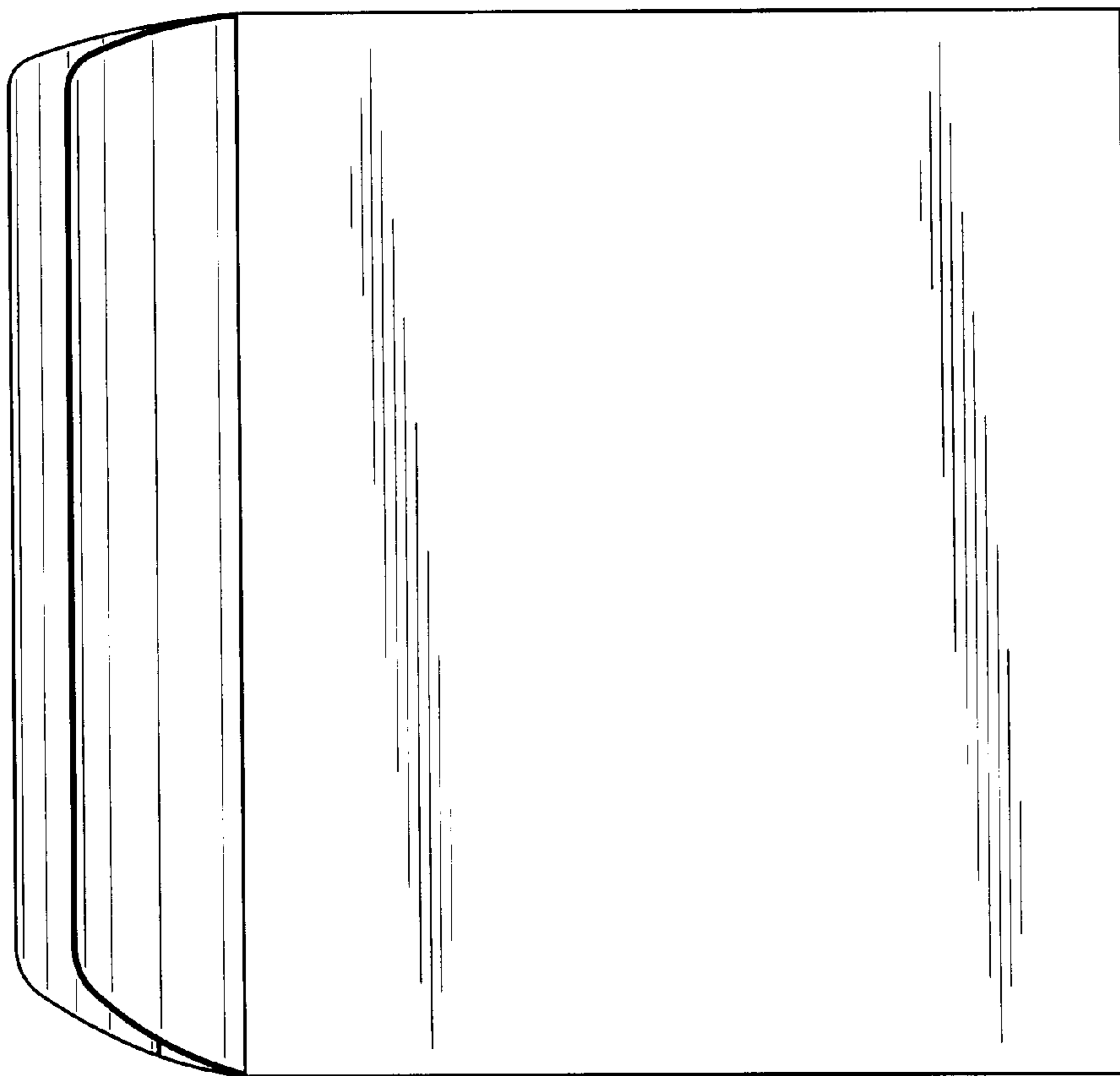


FIG. 5

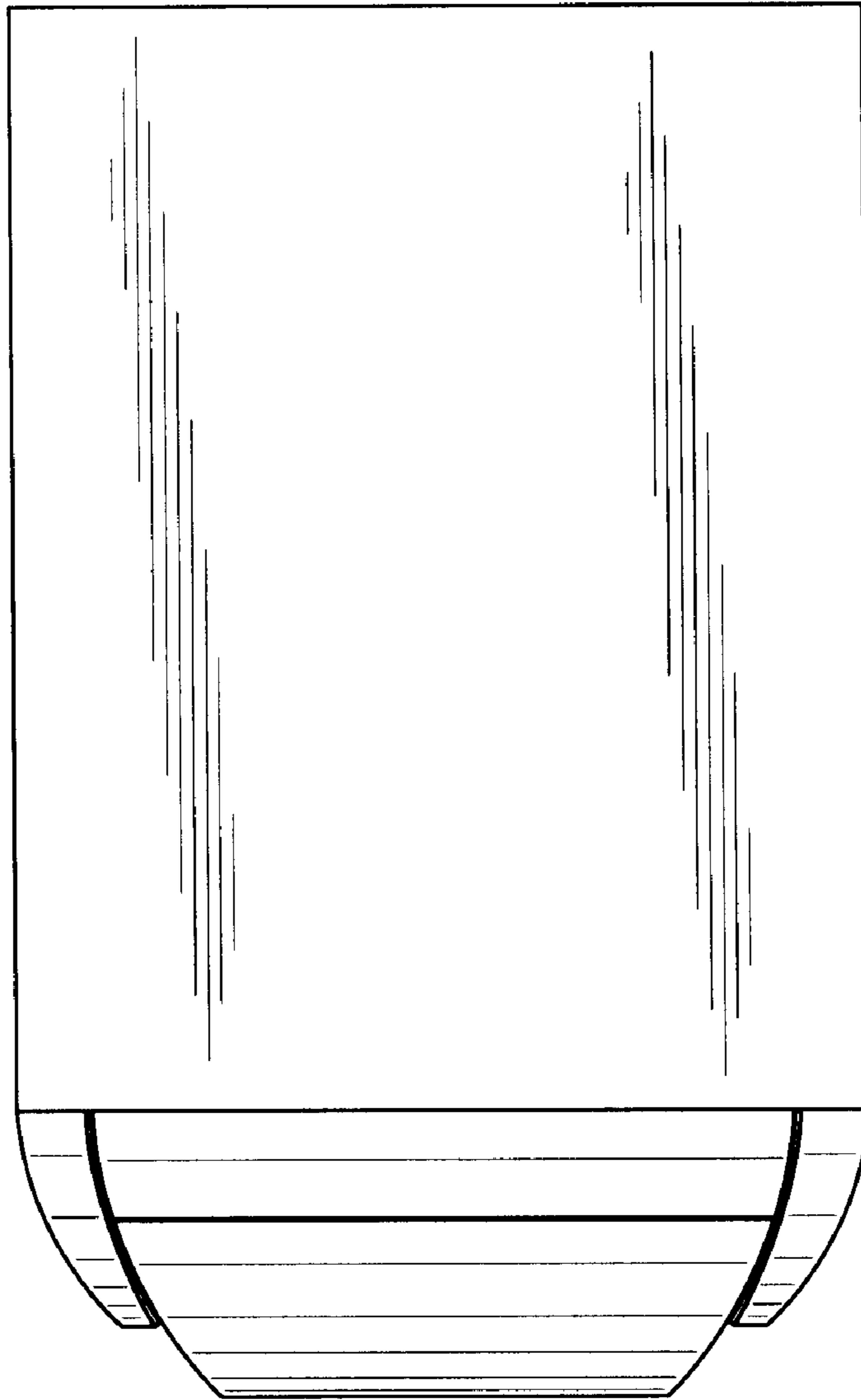


FIG. 6

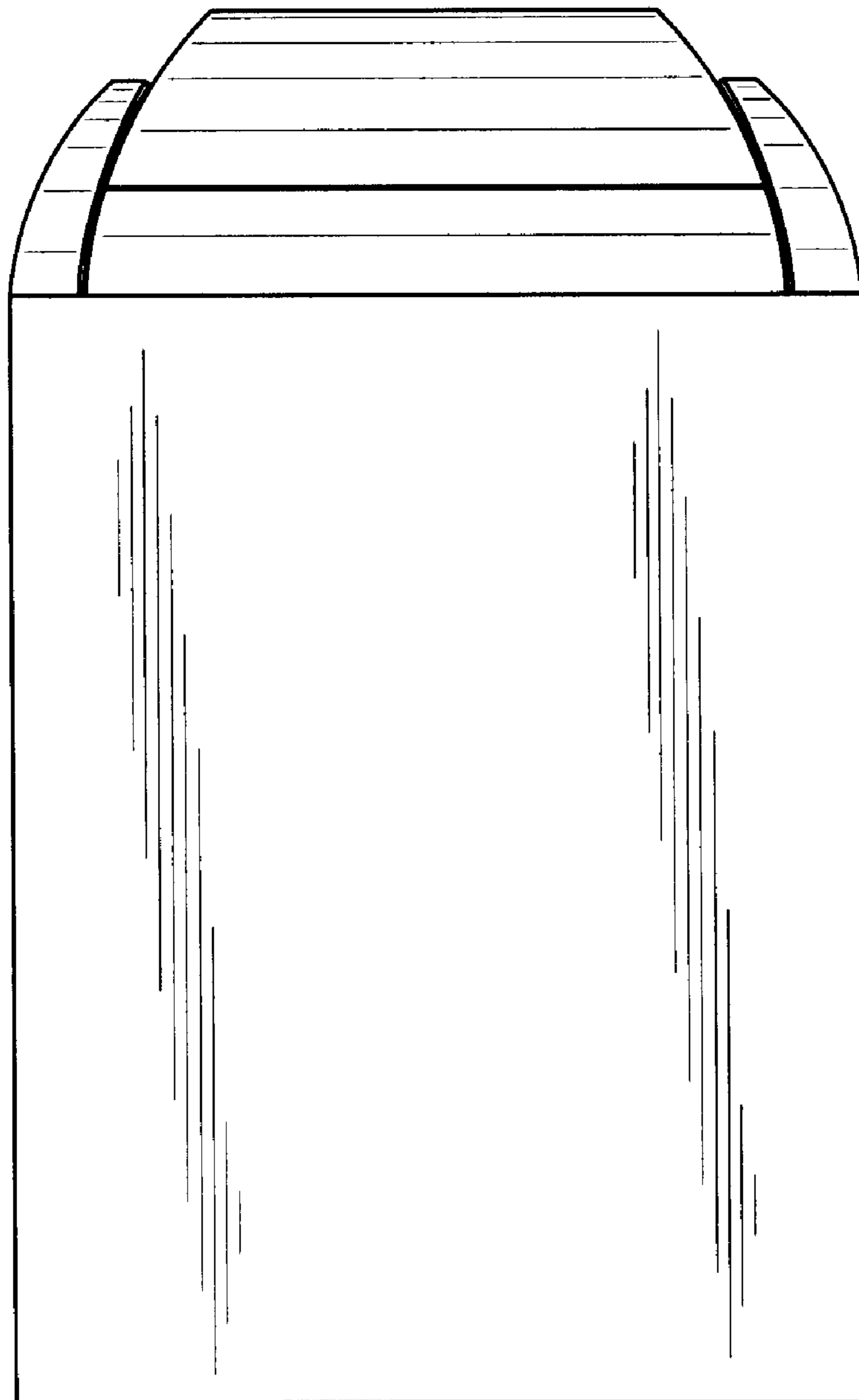


FIG. 7