

US00D540782S

(12) **United States Design Patent**
Katsumata

(10) **Patent No.:** **US D540,782 S**

(45) **Date of Patent:** **** Apr. 17, 2007**

(54) **SPEAKER BOX**

D503,169 S 3/2005 Hisatsune
D503,396 S 3/2005 Hisatsune
D511,339 S 11/2005 Tsuge

(75) Inventor: **Kenji Katsumata**, Tokyo (JP)

(73) Assignee: **Sony Corporation**, Tokyo (JP)

(**) Term: **14 Years**

(21) Appl. No.: **29/253,999**

(22) Filed: **Feb. 16, 2006**

(51) **LOC (8) Cl.** **14-01**

(52) **U.S. Cl.** **D14/214**

(58) **Field of Classification Search** D14/204,
D14/209-216, 172; 181/143-144, 147-148,
181/150, 157, 198-199, 151, 153; 381/300-302,
381/306, 333, 345, 361-364, 386-388, 332,
381/336

See application file for complete search history.

(56) **References Cited**

U.S. PATENT DOCUMENTS

D472,542 S * 4/2003 Oikawa D14/214
D478,891 S * 8/2003 Hisatsune D14/211
D489,707 S * 5/2004 Kobayashi D14/214

FOREIGN PATENT DOCUMENTS

JP D1142699 S 6/2002

* cited by examiner

Primary Examiner—Nanda Bondade

(74) *Attorney, Agent, or Firm*—Rader, Fishman & Grauer
PLLC

(57) **CLAIM**

The ornamental design for a speaker box, as shown.

DESCRIPTION

FIG. 1 is a perspective view of a speaker box showing my new design;

FIG. 2 is a front elevational view thereof;

FIG. 3 is a rear elevational view thereof;

FIG. 4 is a left side elevational view thereof;

FIG. 5 is a right side elevational view thereof;

FIG. 6 is a top plan view thereof; and,

FIG. 7 is a bottom plan view thereof.

1 Claim, 7 Drawing Sheets

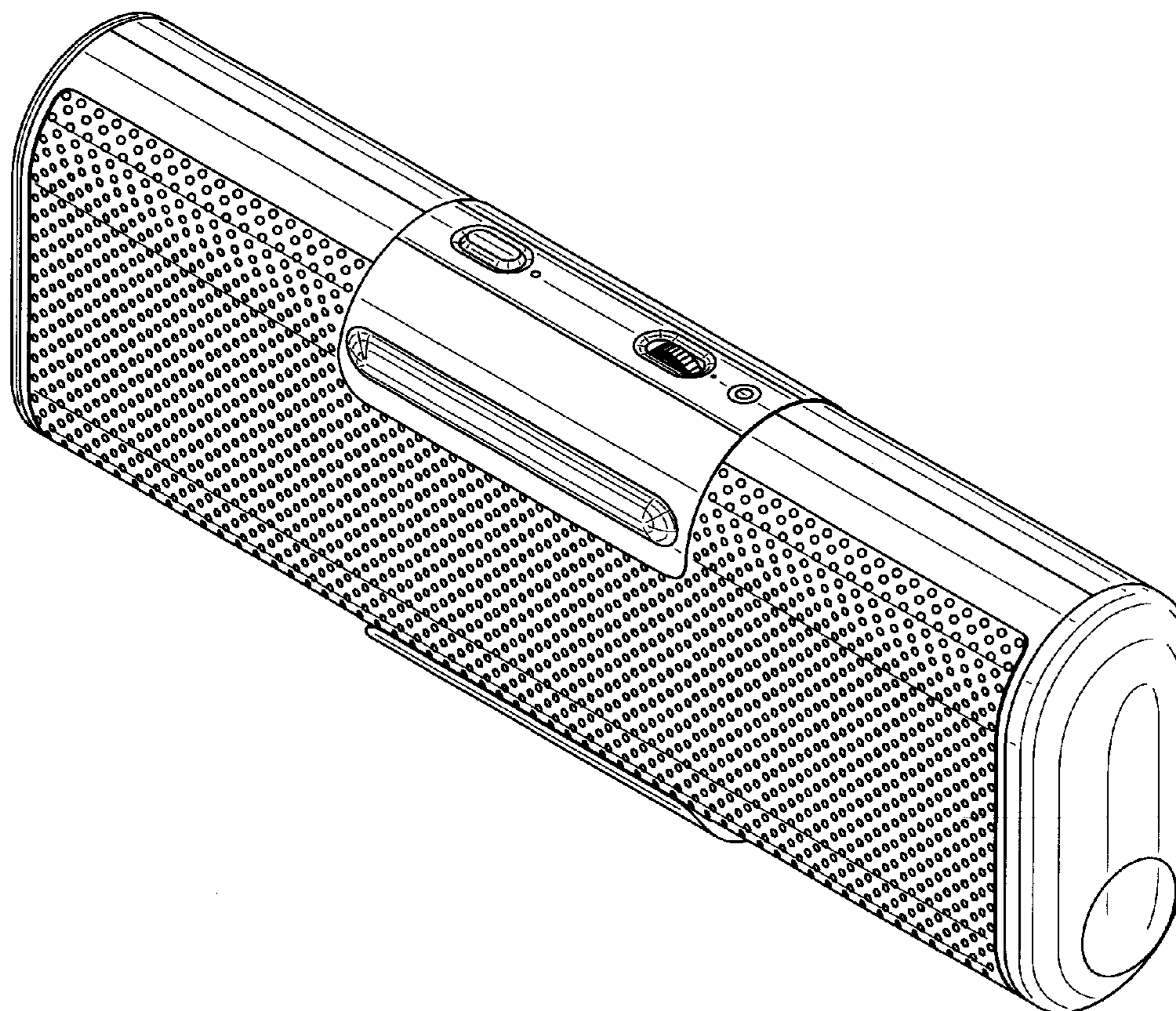


Fig.1

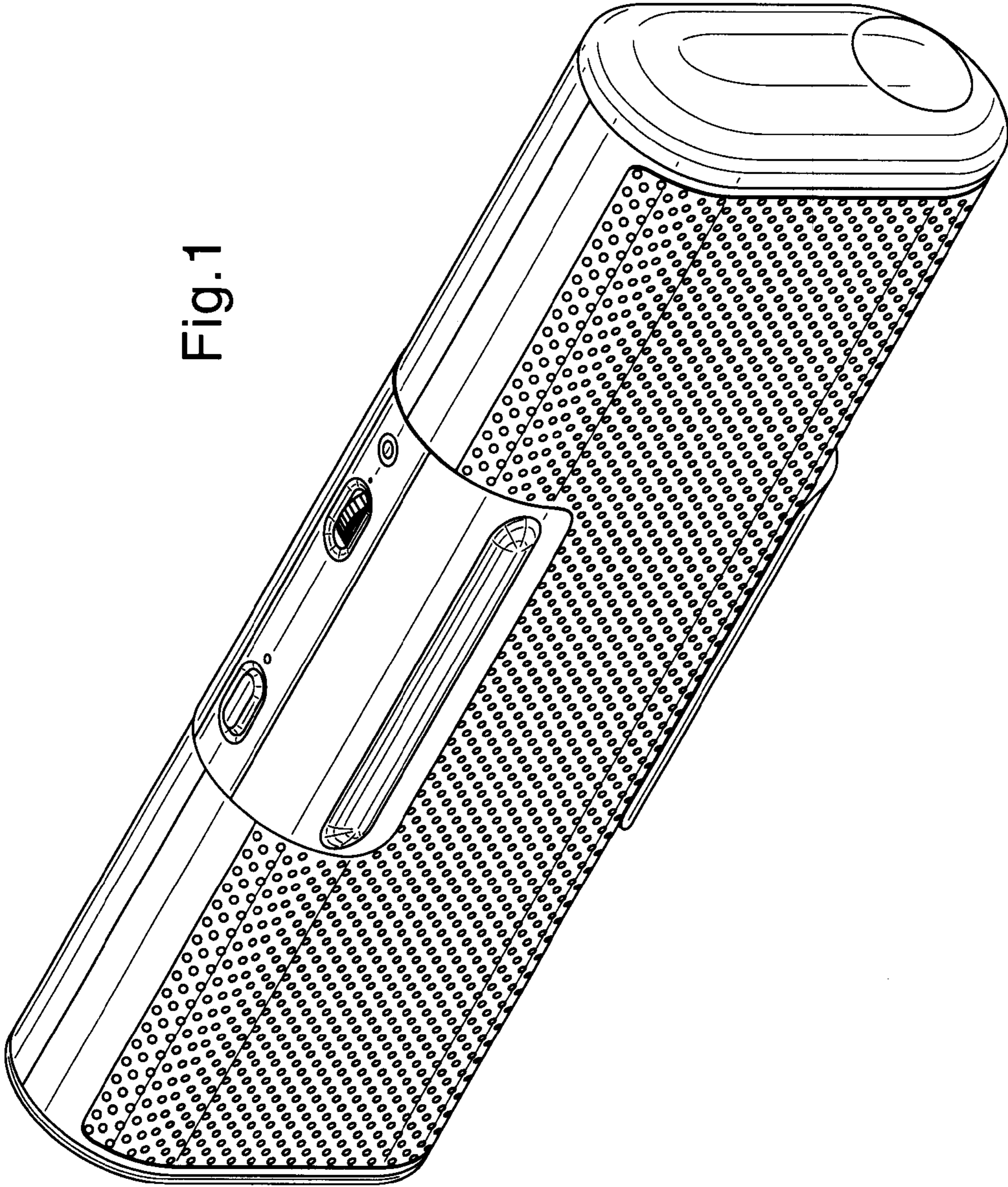


Fig.2

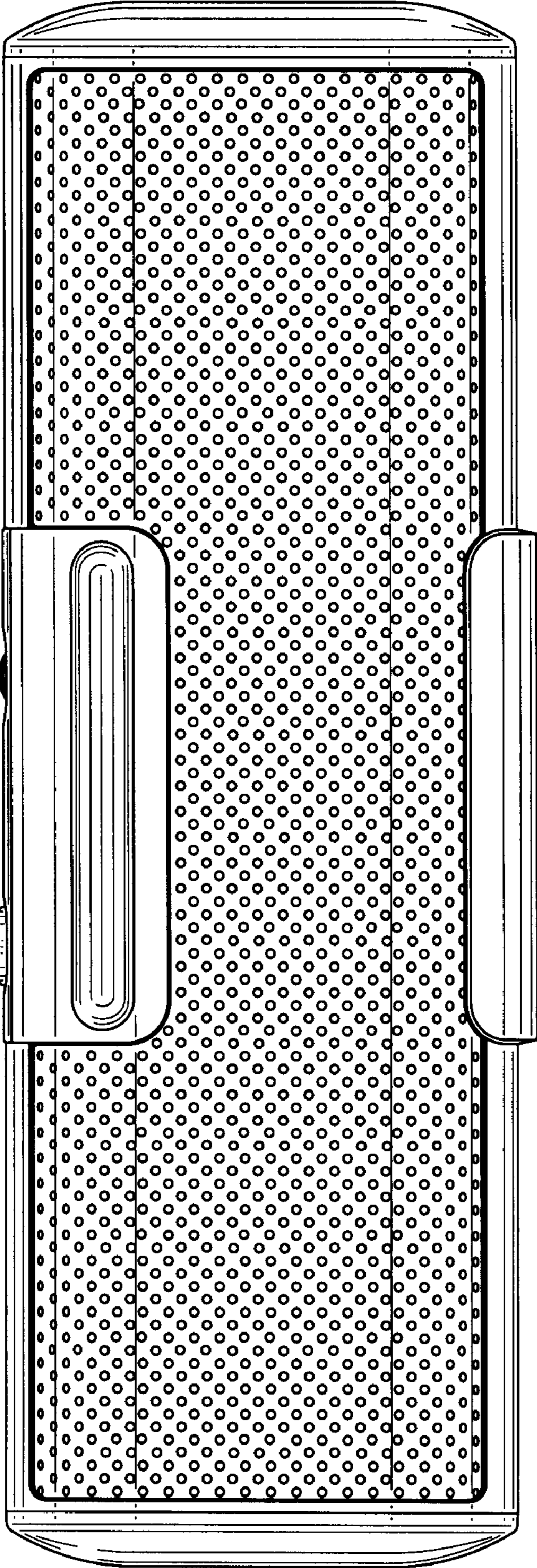


Fig.3

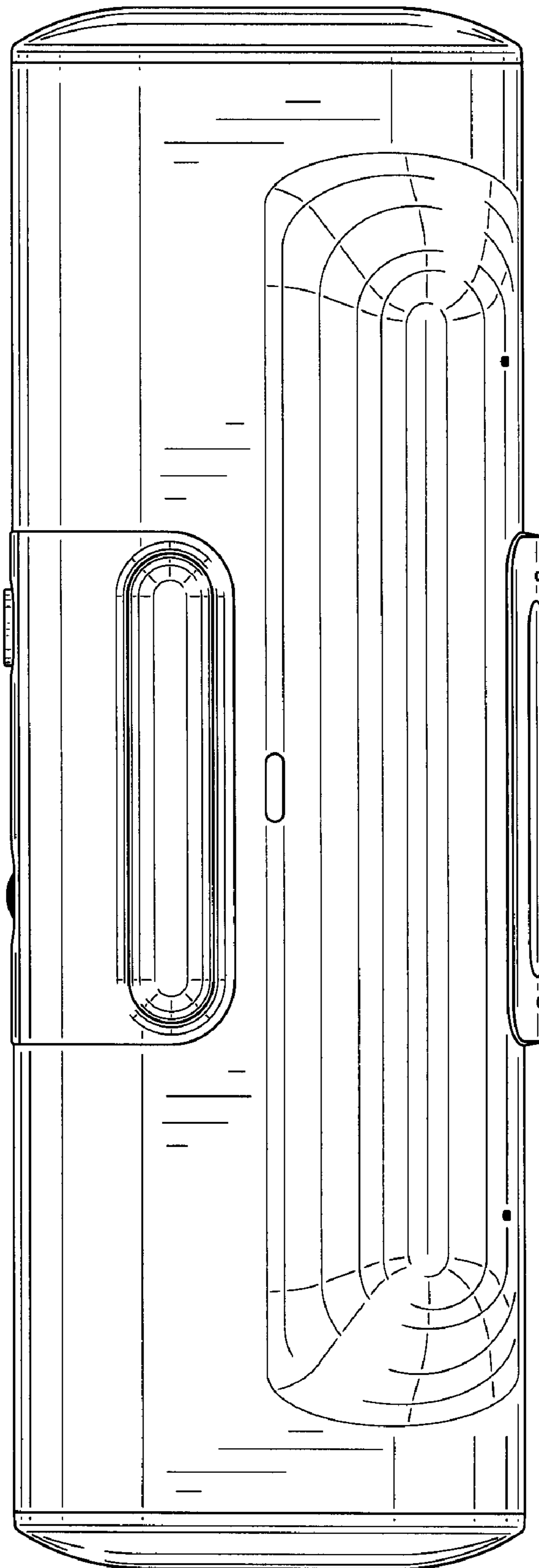


Fig. 4

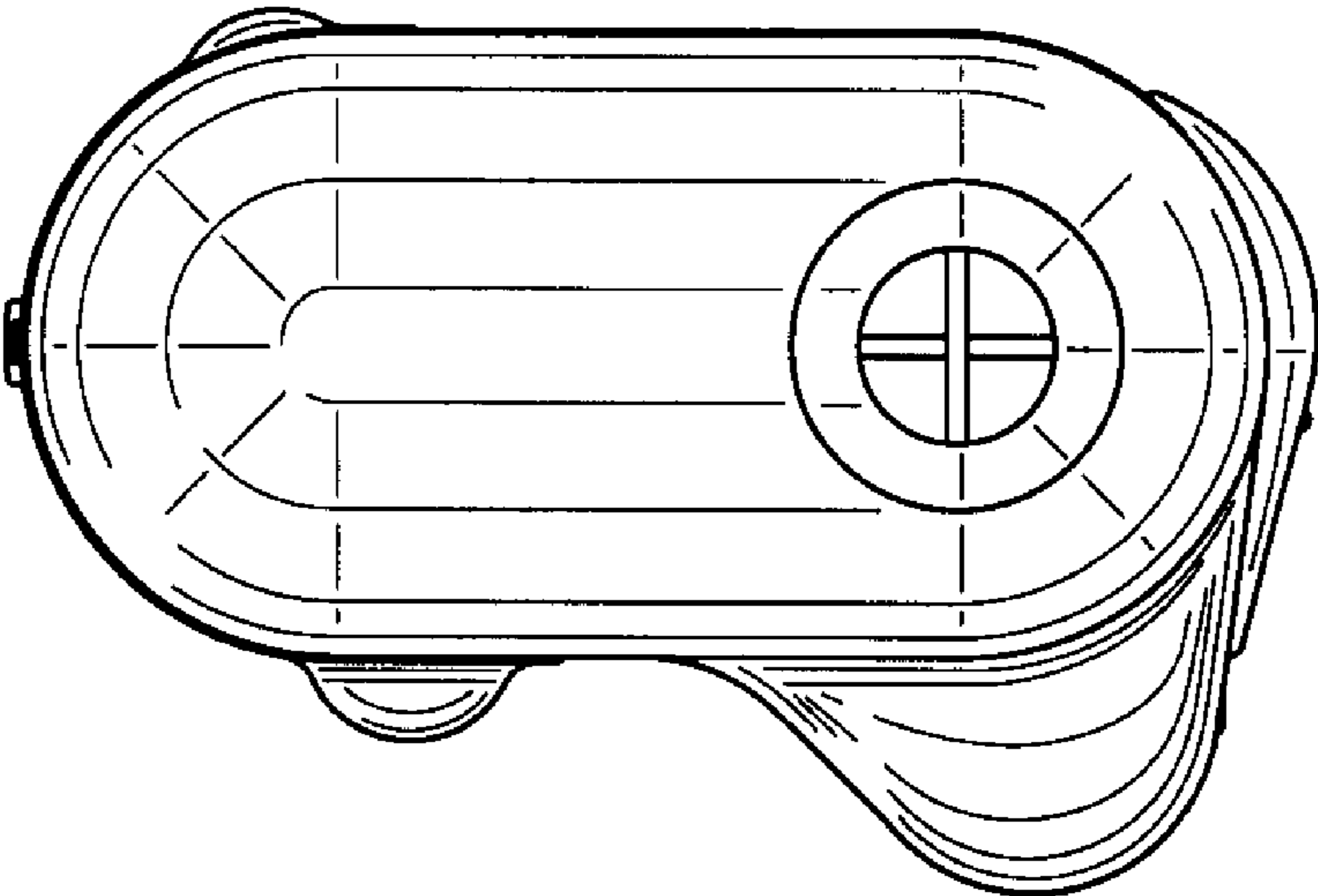


Fig. 5

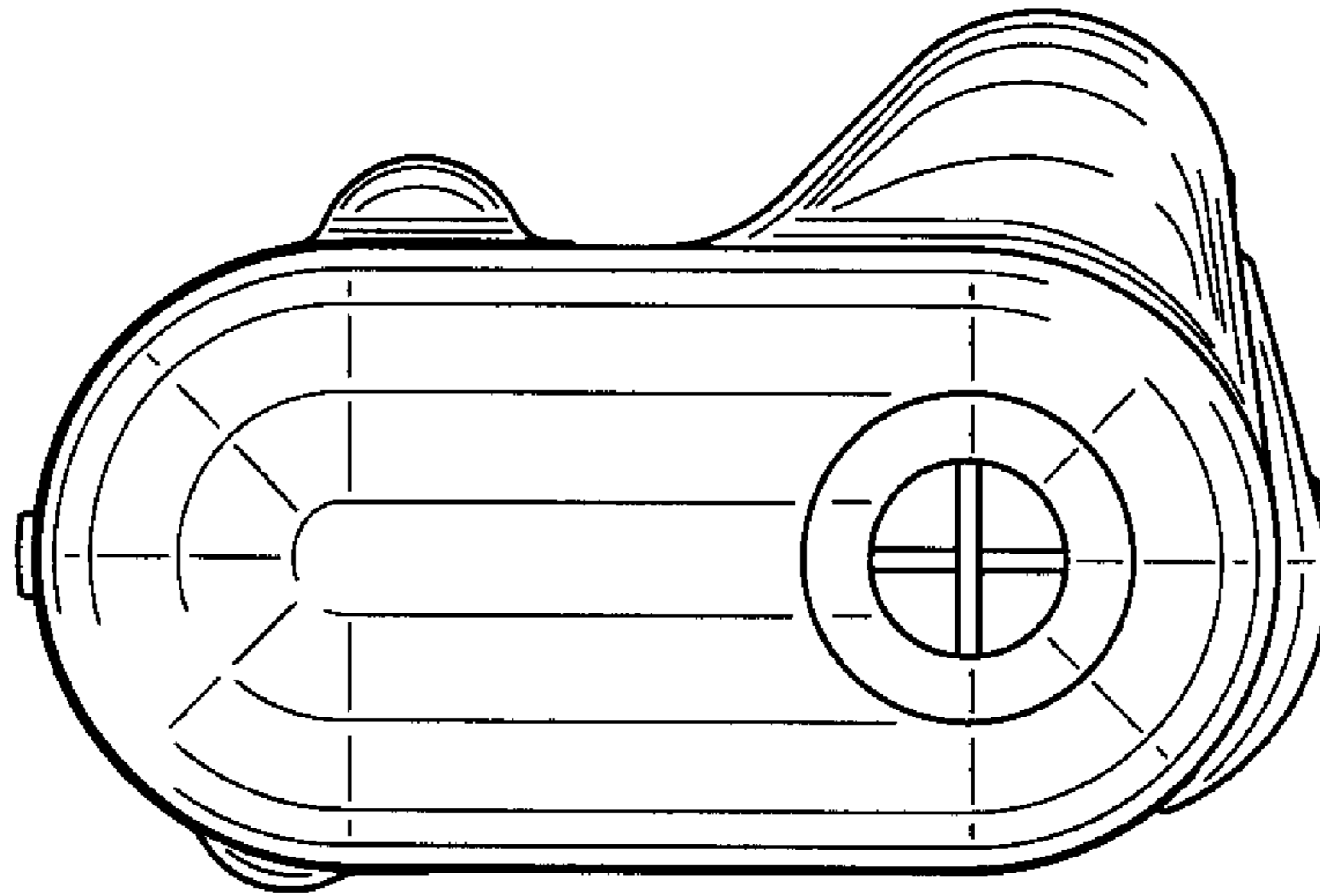


Fig.6

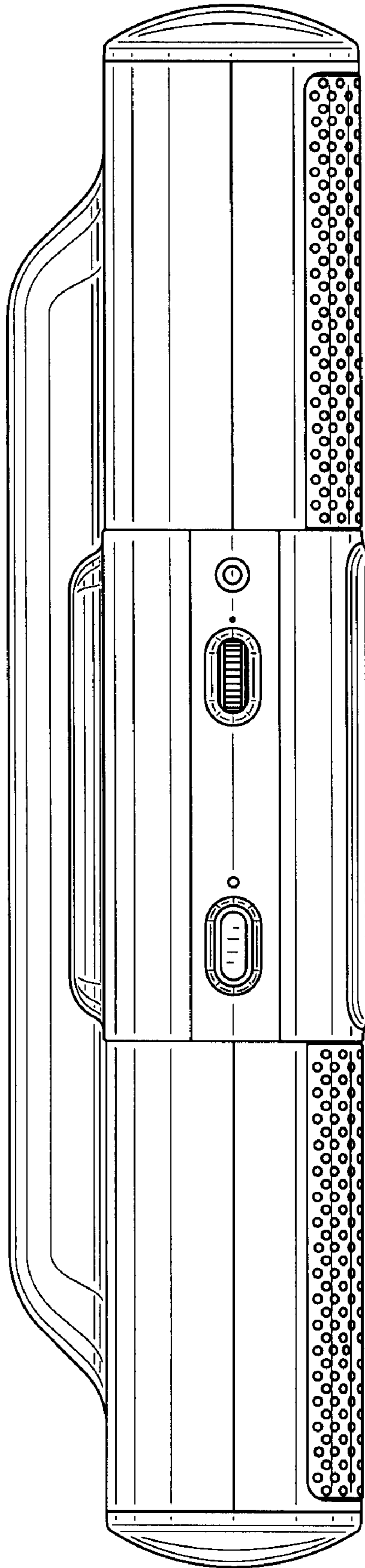


Fig. 7

