

US00D540781S

(12) **United States Design Patent** (10) **Patent No.:** **US D540,781 S**
Patel et al. (45) **Date of Patent:** **** Apr. 17, 2007**

(54) **SUPPORT FOR SPEAKERS**

(75) Inventors: **Ashvin Patel**, Stanmore (GB); **Michael Tse Kin Man**, Hong Kong (HK)

(73) Assignee: **Logic 3 International Limited Co.**, London (GB)

(**) Term: **14 Years**

(21) Appl. No.: **29/236,723**

(22) Filed: **Aug. 18, 2005**

(51) **LOC (8) Cl.** **14-01**

(52) **U.S. Cl.** **D14/214; D14/496**

(58) **Field of Classification Search** D14/204,
D14/207, 209–216, 496; 181/143–144, 147–148,
181/150, 157, 198–199, 151, 153; 381/300–302,
381/306, 333, 345, 361–364, 386–388, 332,
381/336

See application file for complete search history.

(56) **References Cited**

U.S. PATENT DOCUMENTS

5,546,468	A	*	8/1996	Beard	381/86
D477,829	S	*	7/2003	Hussaini et al.	D14/496
D477,830	S	*	7/2003	Hussaini et al.	D14/496
D483,349	S	*	12/2003	Murakami	D14/215
D485,256	S	*	1/2004	Allen	D14/215
D491,167	S	*	6/2004	Yokoyama	D14/215

* cited by examiner

Primary Examiner—Nanda Bondade

(74) *Attorney, Agent, or Firm*—Klarquist Sparkman LLP

(57) **CLAIM**

The ornamental design for support for speakers, as shown and described.

DESCRIPTION

FIG. 1 is a perspective view of a support for speaker showing our new design;

FIG. 2 is front view thereof, with the central supporting portion in an upright position;

FIG. 3 is a top view thereof;

FIG. 4 is a bottom view thereof;

FIG. 5 is a rear view thereof;

FIG. 6 is a left side view thereof, the right side view being a mirror image;

FIG. 7 is a top perspective view thereof, with the central supporting portion in down position;

FIG. 8 is a bottom perspective view of FIG. 7;

FIG. 9 is a front view of FIG. 7;

FIG. 10 is a rear view of FIG. 7;

FIG. 11 is a left side view of FIG. 7; and,

FIG. 12 is a right side view of FIG. 7.

The broken line showing on the drawing disclosure is for illustrative purposes only and forms no part of the claimed design.

1 Claim, 5 Drawing Sheets

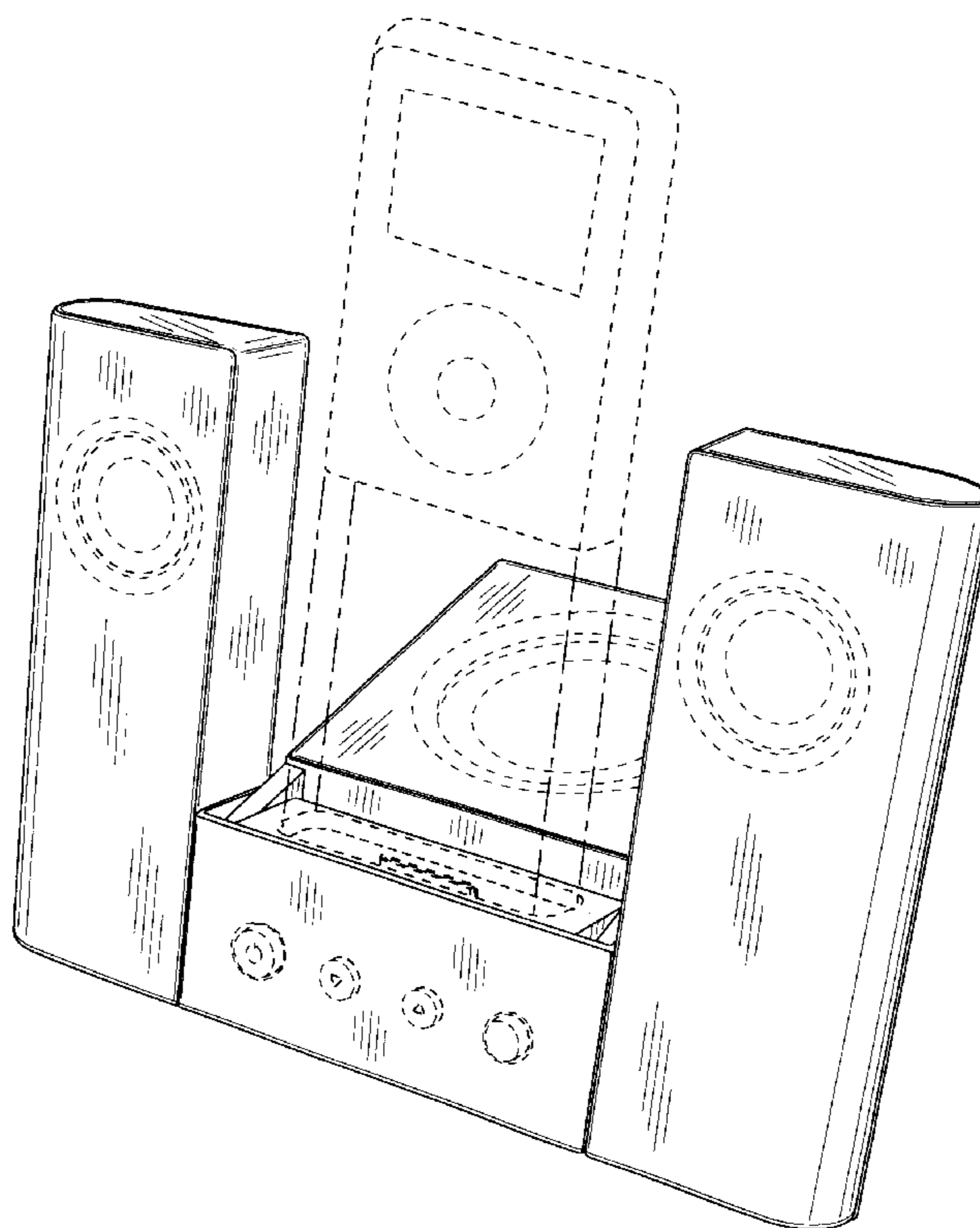


FIG. 1

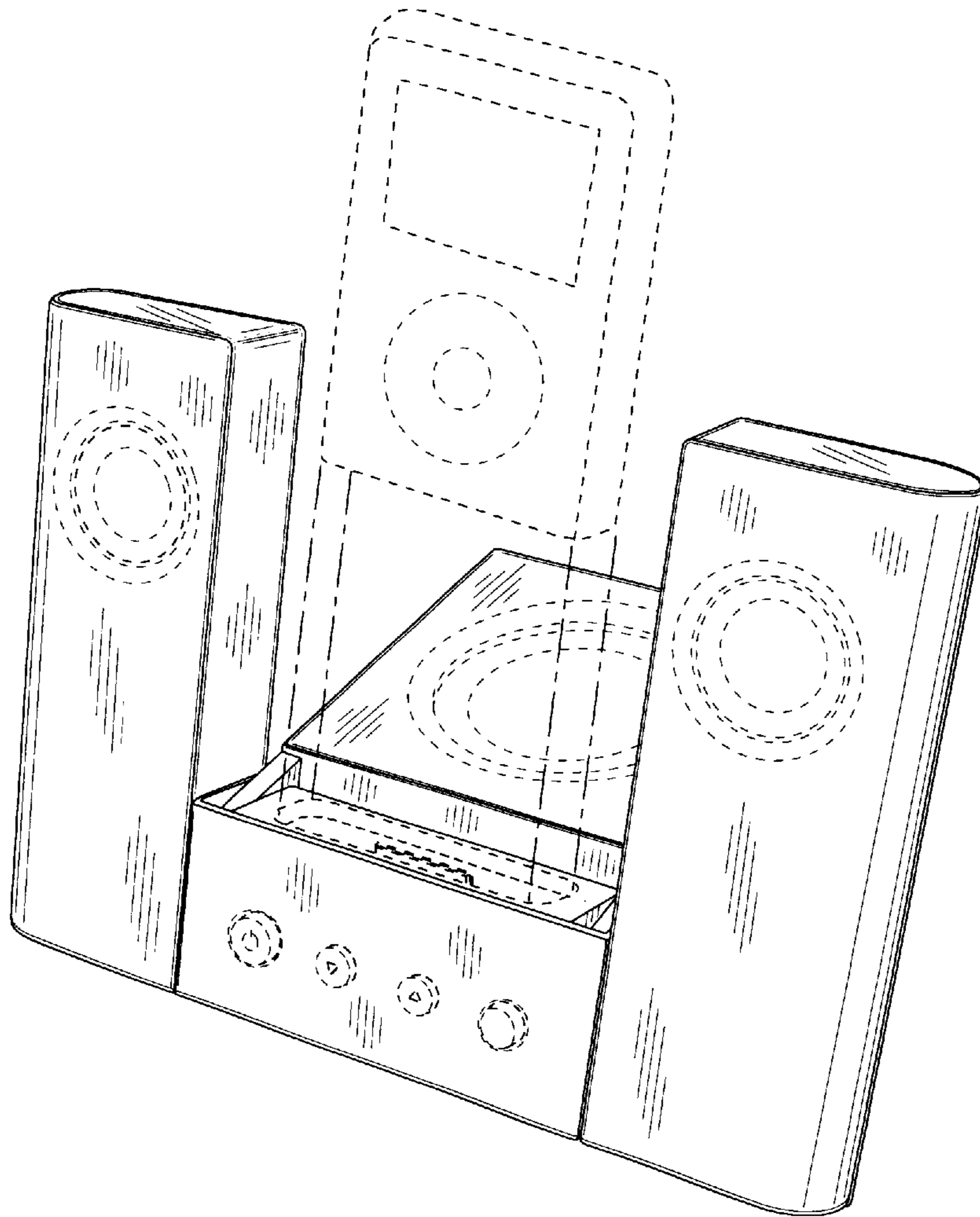


FIG. 2

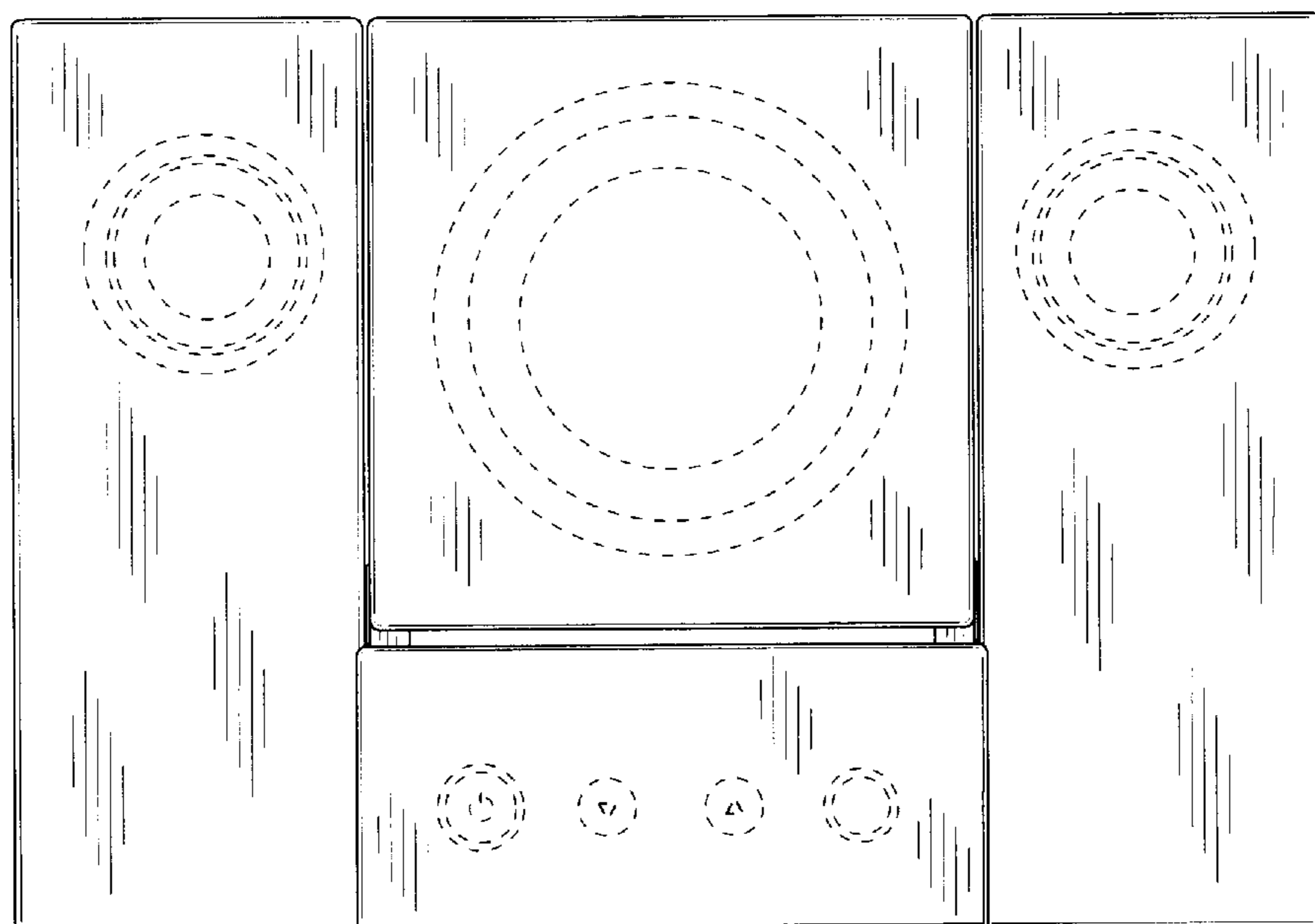


FIG. 3

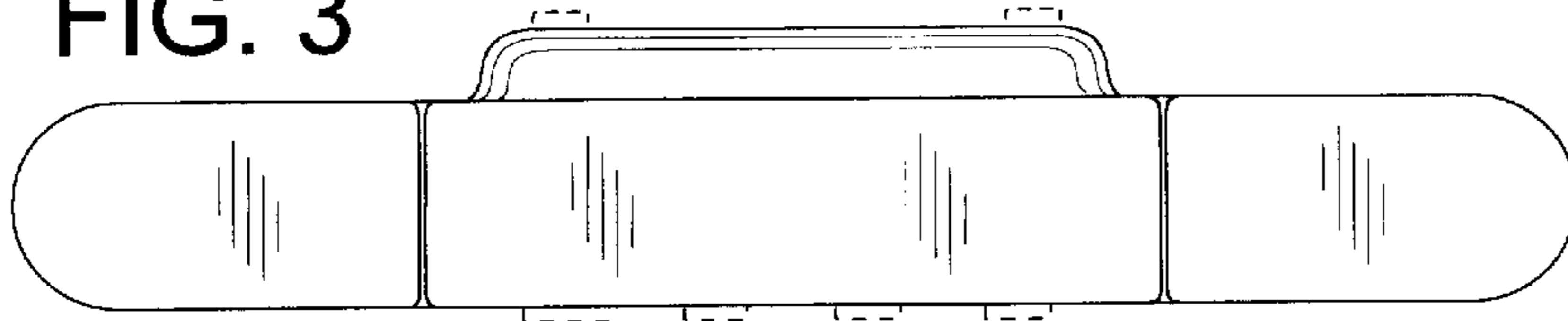


FIG. 4

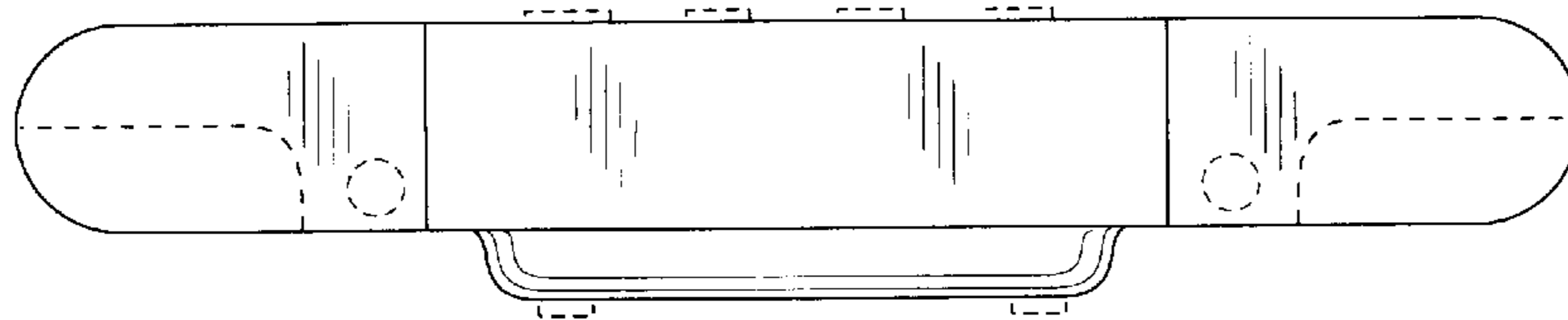


FIG. 5

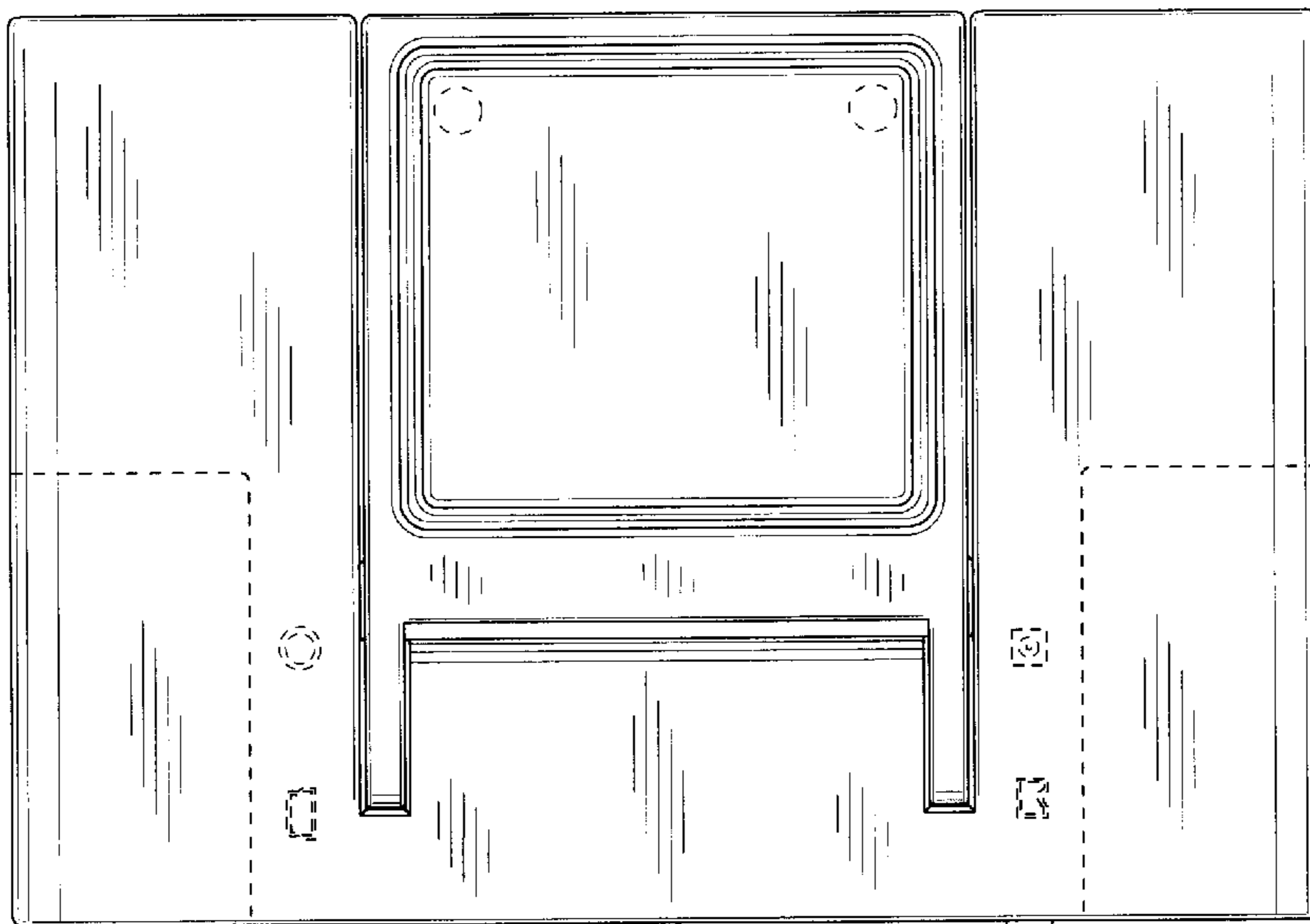
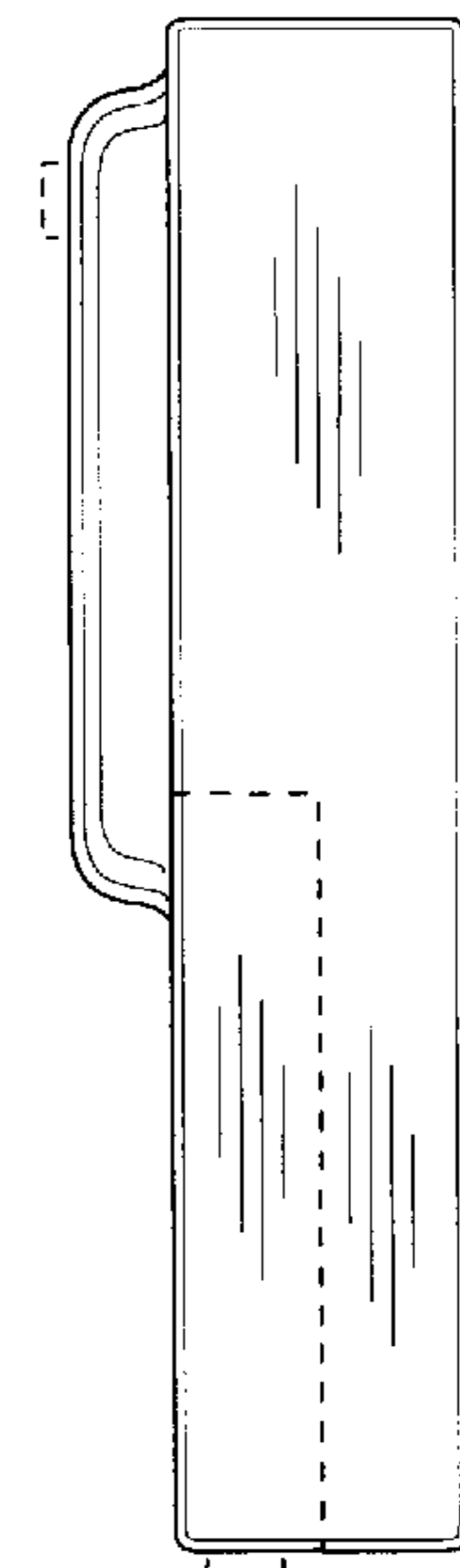


FIG. 6



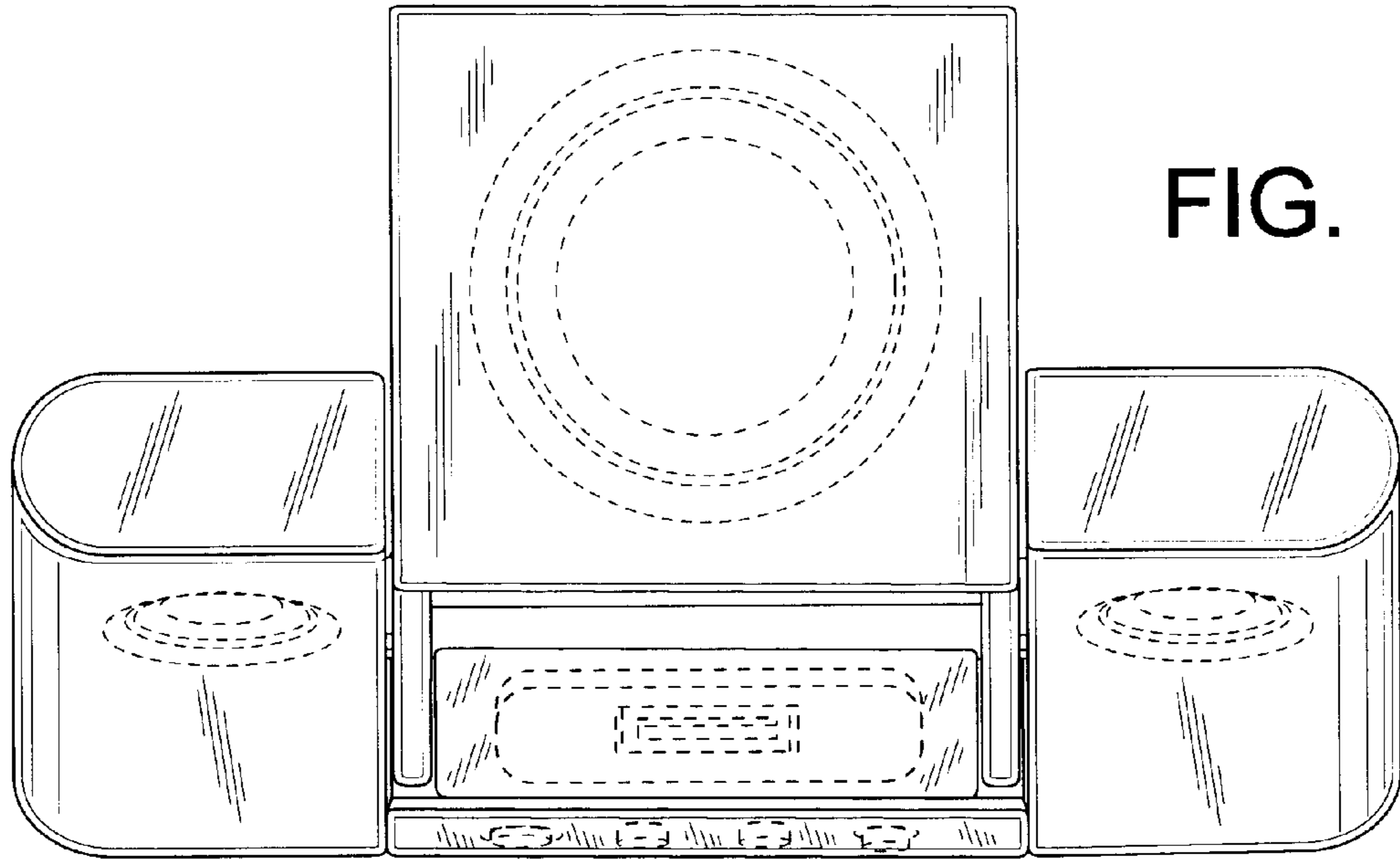


FIG. 7

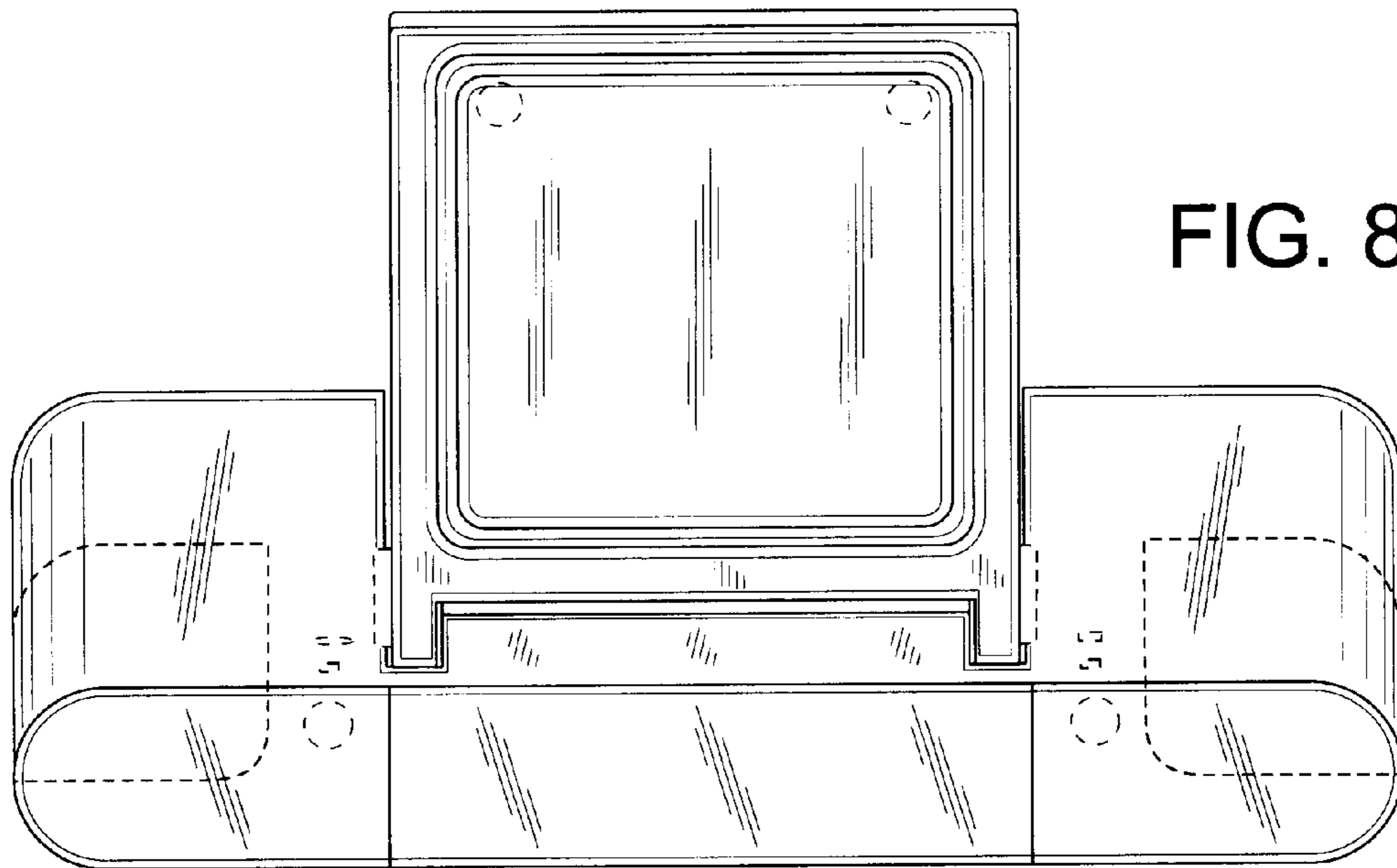


FIG. 8

FIG. 9

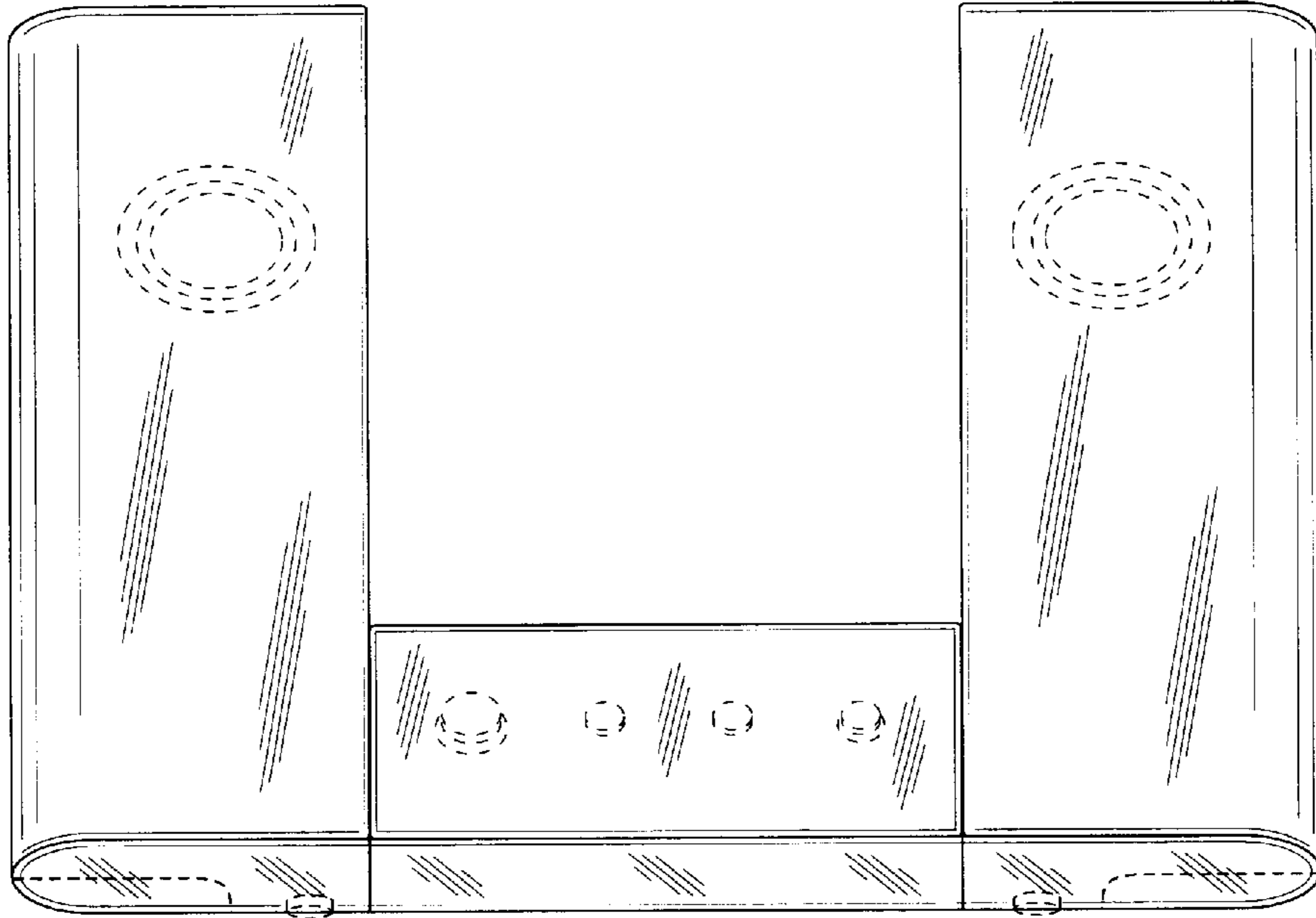


FIG. 10

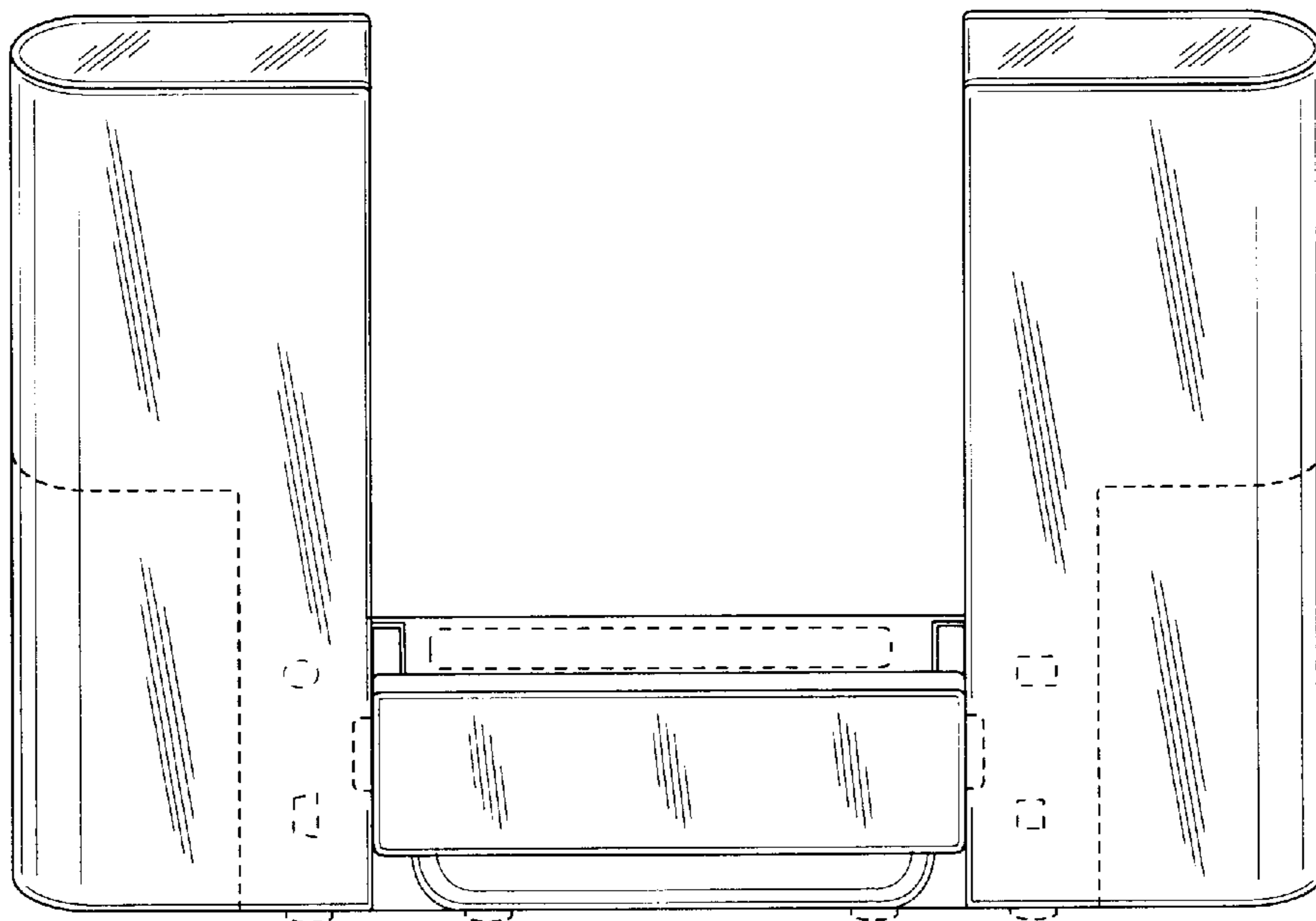


FIG. 11

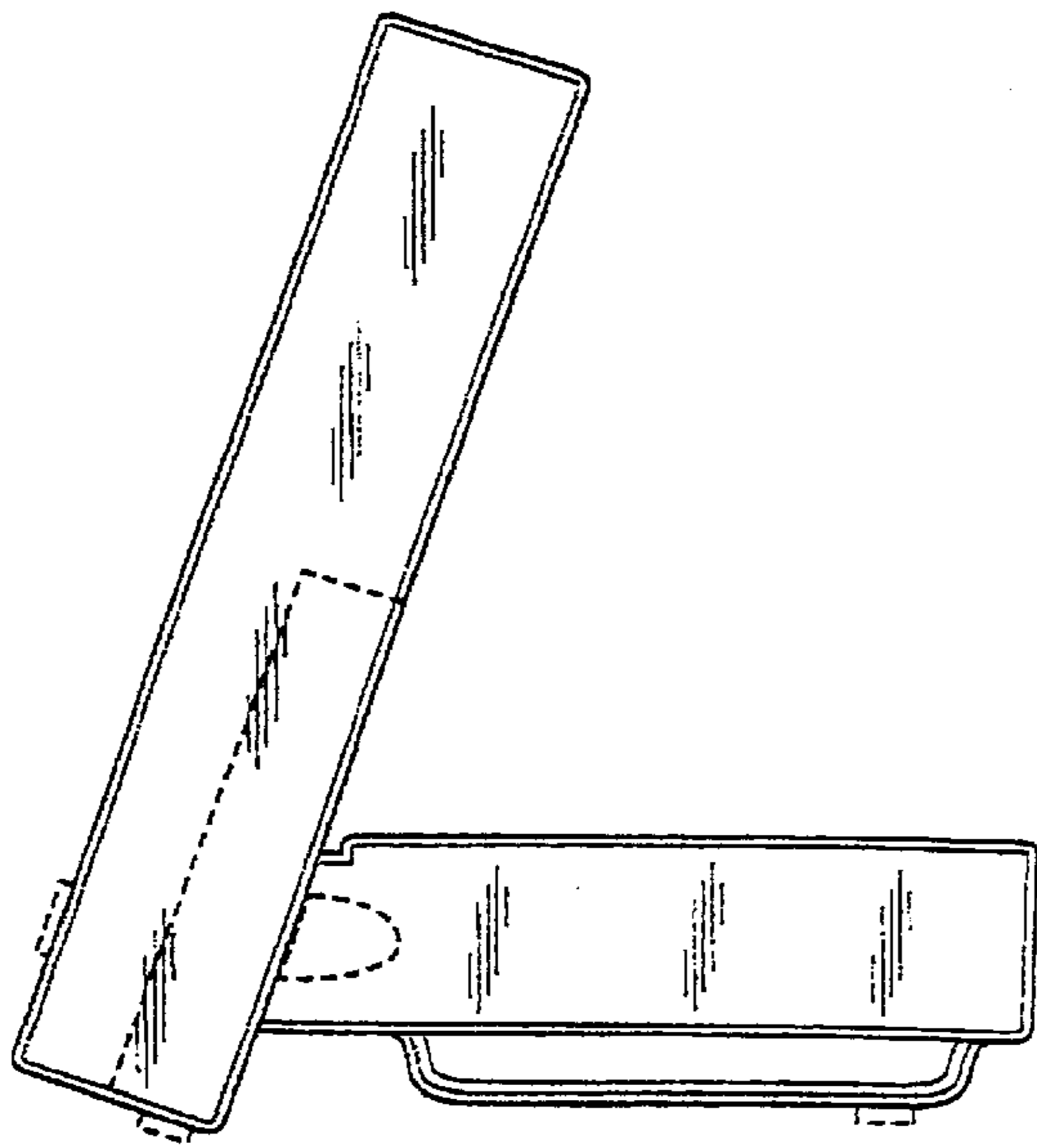


FIG. 12

