

US00D540770S

(12) **United States Design Patent**  
**Park et al.**

(10) **Patent No.:** **US D540,770 S**

(45) **Date of Patent:** **\*\* Apr. 17, 2007**

(54) **MOBILE PHONE**

(75) Inventors: **Sang Min Park**, Gyeonggi-do (KR);  
**Byung Soo Oh**, Seoul (KR)

(73) Assignee: **LG Electronics Inc.**, Seoul (KR)

(\*\*) Term: **14 Years**

(21) Appl. No.: **29/238,256**

(22) Filed: **Sep. 14, 2005**

(30) **Foreign Application Priority Data**

Mar. 15, 2005 (KR) ..... 30-2005-0008454

(51) **LOC (8) Cl.** ..... **14-03**

(52) **U.S. Cl.** ..... **D14/138**

(58) **Field of Classification Search** ..... D14/191,  
D14/138, 147-148, 247-248, 144, 496, 156,  
D14/341-347; 379/433.01-433.13; 455/575.3,  
455/566, 575.1, 556.1, 556.2, 90.3; D21/517;  
D16/208

See application file for complete search history.

(56) **References Cited**

**U.S. PATENT DOCUMENTS**

D496,020 S	*	9/2004	Lee	.....	D14/138
D496,021 S	*	9/2004	Jang	.....	D14/138
D501,838 S	*	2/2005	Kim et al.	.....	D14/138
D502,457 S	*	3/2005	Eigenstetter et al.	.....	D14/138
D508,475 S	*	8/2005	Wu et al.	.....	D14/138
D508,903 S	*	8/2005	Kim et al.	.....	D14/138
D511,509 S	*	11/2005	Kim et al.	.....	D14/138
D512,395 S	*	12/2005	Kim et al.	.....	D14/138
D518,460 S	*	4/2006	Jung et al.	.....	D14/138
D518,807 S	*	4/2006	Choi et al.	.....	D14/138
D518,812 S	*	4/2006	Kim et al.	.....	D14/138
D519,972 S	*	5/2006	Chung et al.	.....	D14/138
D520,485 S	*	5/2006	Cho	.....	D14/138
D520,980 S	*	5/2006	Taniyama et al.	.....	D14/138

D523,833 S	*	6/2006	Koh et al.	.....	D14/138
D524,776 S	*	7/2006	Chang	.....	D14/138
2003/0013417 A1	*	1/2003	Bum	.....	455/90
2004/0203527 A1	*	10/2004	Matsumoto	.....	455/90.3
2005/0075082 A1	*	4/2005	Iwai et al.	.....	455/90.3
2005/0124392 A1	*	6/2005	Jeong	.....	455/575.1
2005/0186985 A1	*	8/2005	Im et al.	.....	455/550.1

**FOREIGN PATENT DOCUMENTS**

JP 805597 \* 1/1991

**OTHER PUBLICATIONS**

Sony Ericsson Z530 telephone, announced Feb. 2006, [online], [retrieved on Nov. 21, 2006]. Retrieved from Internet, <URL: http://www.gsmarena.com>.\*

BenQ-Siemens EF91 telephone, announced Feb. 2006, [online], [retrieved on Sep. 10, 2006]. Retrieved from Internet, <URL: http://www.gsmarena.com>.\*

\* cited by examiner

*Primary Examiner*—Jeffrey Asch  
(74) *Attorney, Agent, or Firm*—Birch, Stewart, Kolasch & Birch, LLP

(57) **CLAIM**

The ornamental design for a mobile phone, as shown and described.

**DESCRIPTION**

FIG. 1 is a perspective view of a mobile phone showing my (our) new design;  
FIG. 2 is a front view thereof;  
FIG. 3 is a rear view thereof;  
FIG. 4 is a left side view thereof;  
FIG. 5 is a right side view thereof;  
FIG. 6 is a top plan view thereof; and,  
FIG. 7 is a bottom plan view thereof.

**1 Claim, 6 Drawing Sheets**

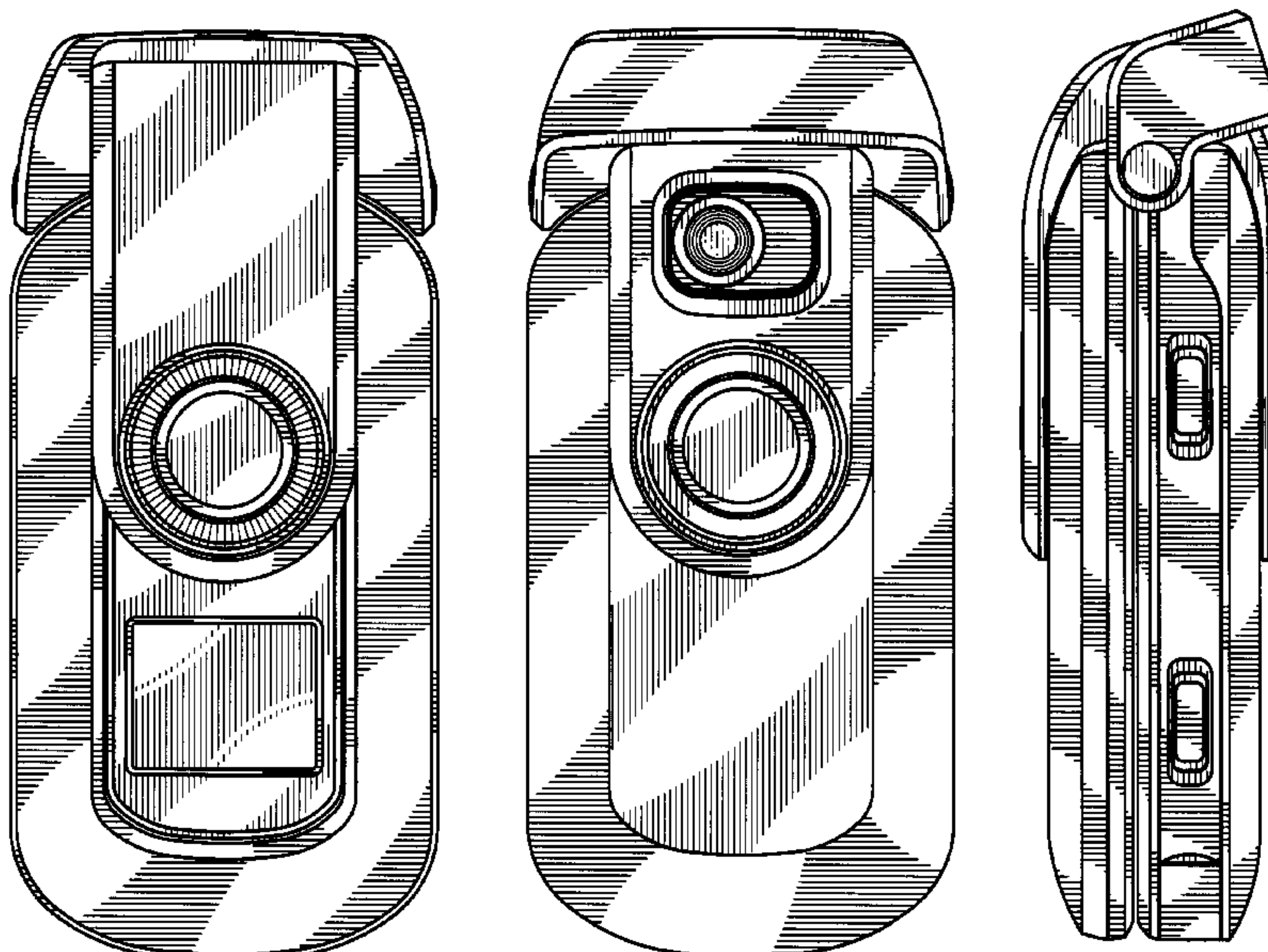


FIG. 1

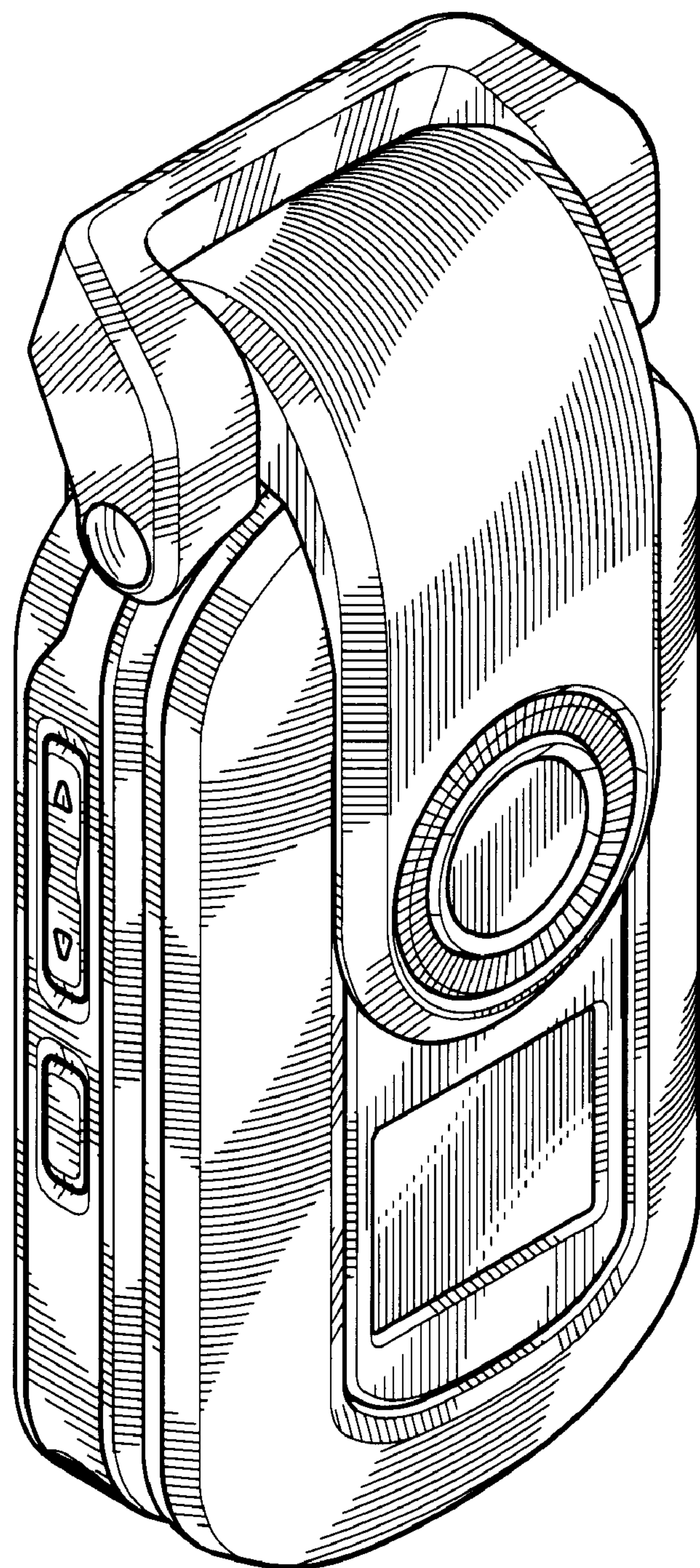


FIG. 2

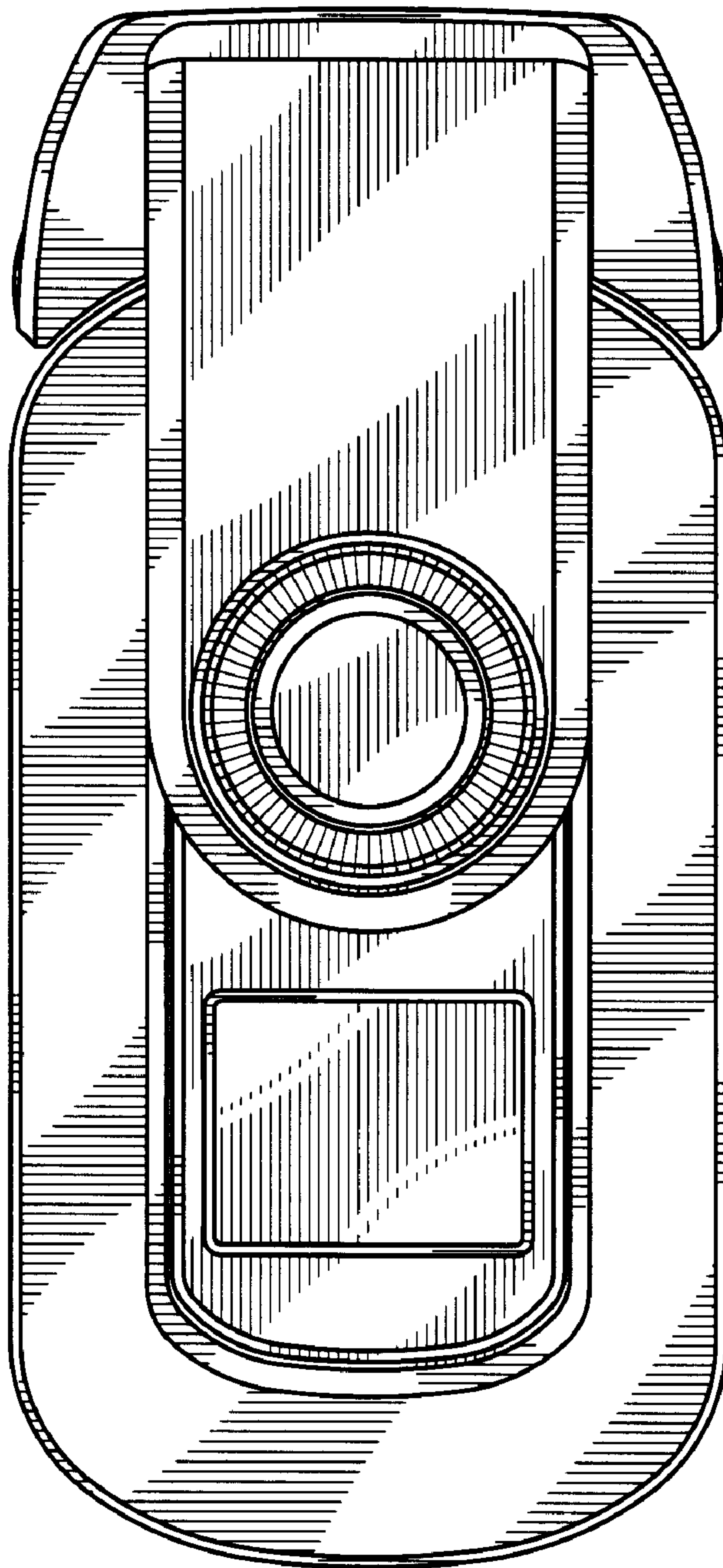




FIG. 3

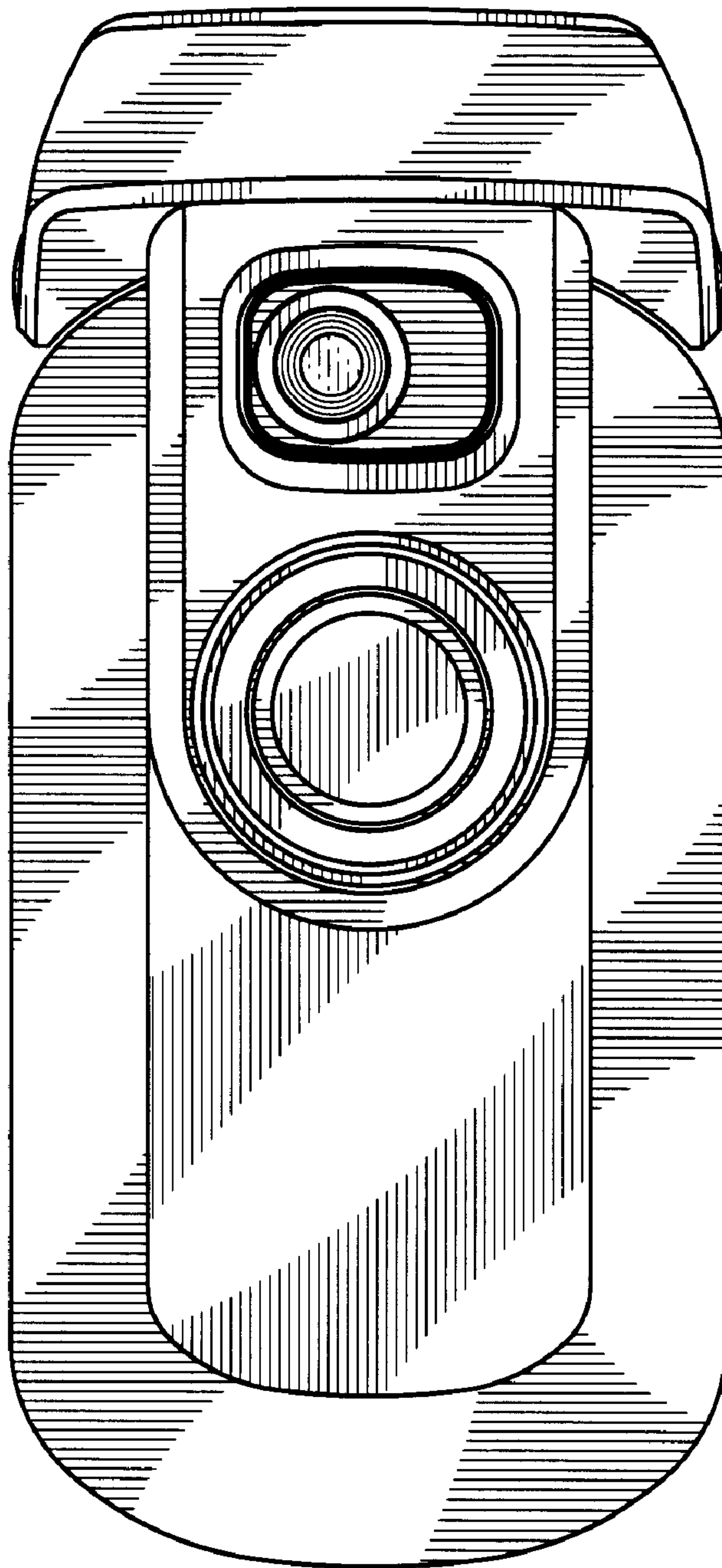


FIG. 4

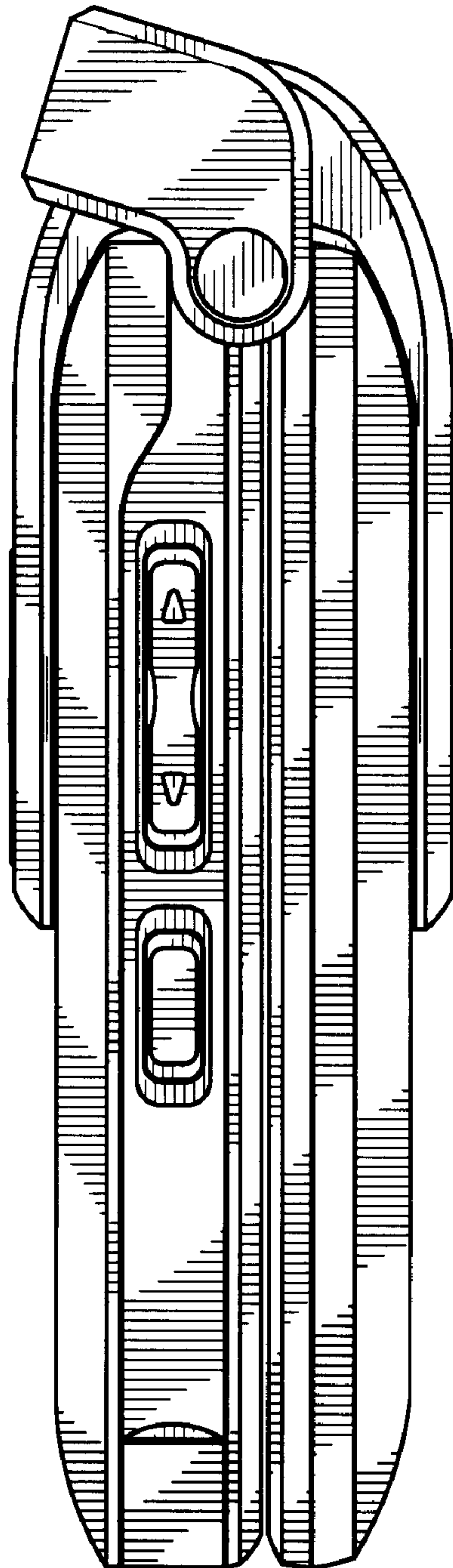


FIG. 5

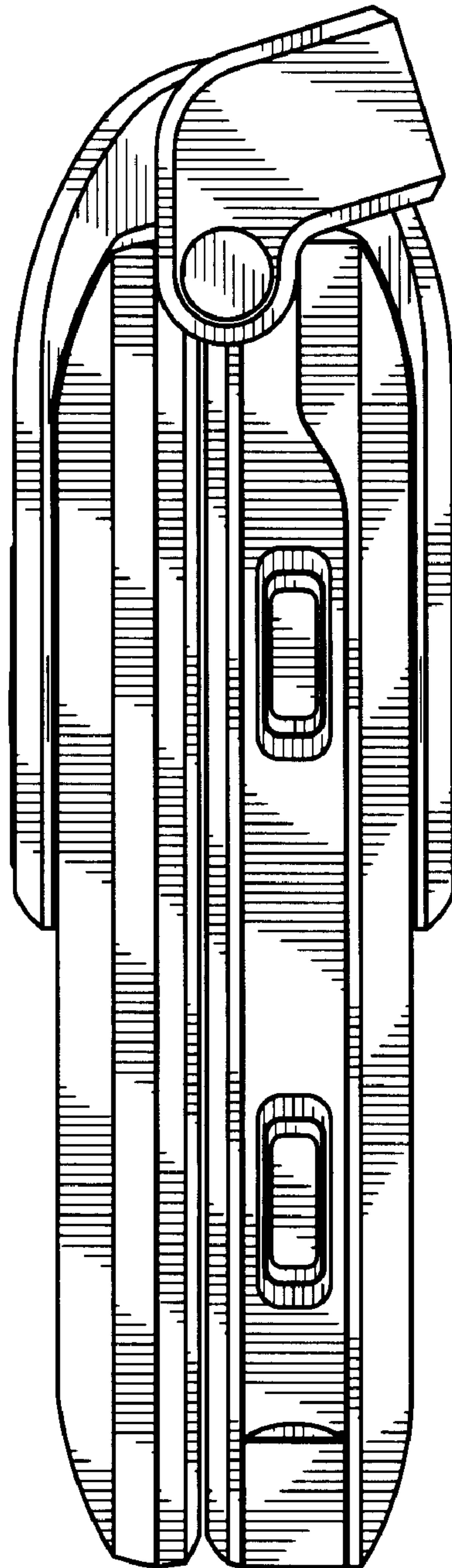


FIG. 6

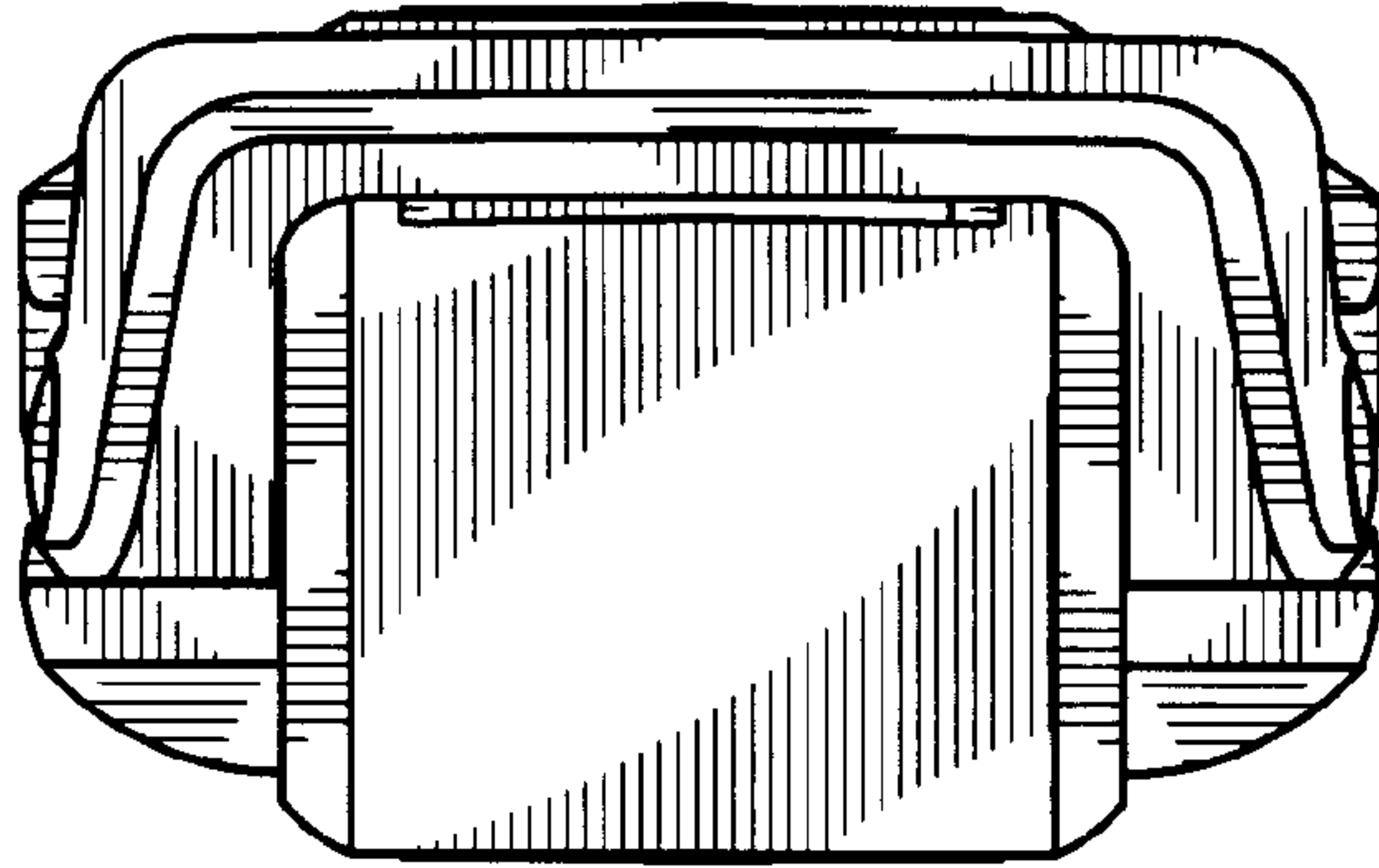


FIG. 7

