

US00D540760S

(12) **United States Design Patent**  
**Macey et al.**

(10) **Patent No.:** **US D540,760 S**

(45) **Date of Patent:** **\*\* Apr. 17, 2007**

(54) **VIDEO DISPLAY**

(75) Inventors: **Stephen S. Macey**, Oceanside, CA  
(US); **Christopher Larsen**, Vista, CA  
(US)

(73) Assignee: **Watkins Manufacturing Corporation**,  
Vista, CA (US)

(\*\*) **Term:** **14 Years**

(21) Appl. No.: **29/251,745**

(22) Filed: **Jan. 12, 2006**

(51) **LOC (8) Cl.** ..... **14-03**

(52) **U.S. Cl.** ..... **D14/126; D16/134**

(58) **Field of Classification Search** ..... D14/125-134,  
D14/239, 371, 136, 374-377; 312/7.2; 348/836,  
348/838, 180, 184, 325, 739; 341/12; 248/917-924,  
248/465; 345/104, 133, 156, 168, 87, 173;  
720/605, 669, 600, 655; 369/99, 197; 455/344-347  
See application file for complete search history.

(56) **References Cited**

**U.S. PATENT DOCUMENTS**

D447,138 S \* 8/2001 Arpe ..... D14/336  
D460,055 S \* 7/2002 Rosen ..... D14/126

6,585,554 B1 \* 7/2003 Hewitt et al. .... 446/146  
D482,035 S \* 11/2003 Olson et al. .... D14/375  
D483,367 S \* 12/2003 Olson et al. .... D14/375  
D494,165 S \* 8/2004 Yokota ..... D14/341  
D495,702 S \* 9/2004 Olson et al. .... D14/371  
D502,152 S \* 2/2005 Peng ..... D14/126  
D505,402 S \* 5/2005 Wong ..... D14/125  
6,937,464 B2 \* 8/2005 Adams et al. .... 361/681  
D515,048 S \* 2/2006 Villalobos et al. .... D14/128  
D524,772 S \* 7/2006 Reza ..... D14/126  
D525,956 S \* 8/2006 Lee ..... D14/126

\* cited by examiner

*Primary Examiner*—Raphael Barkai

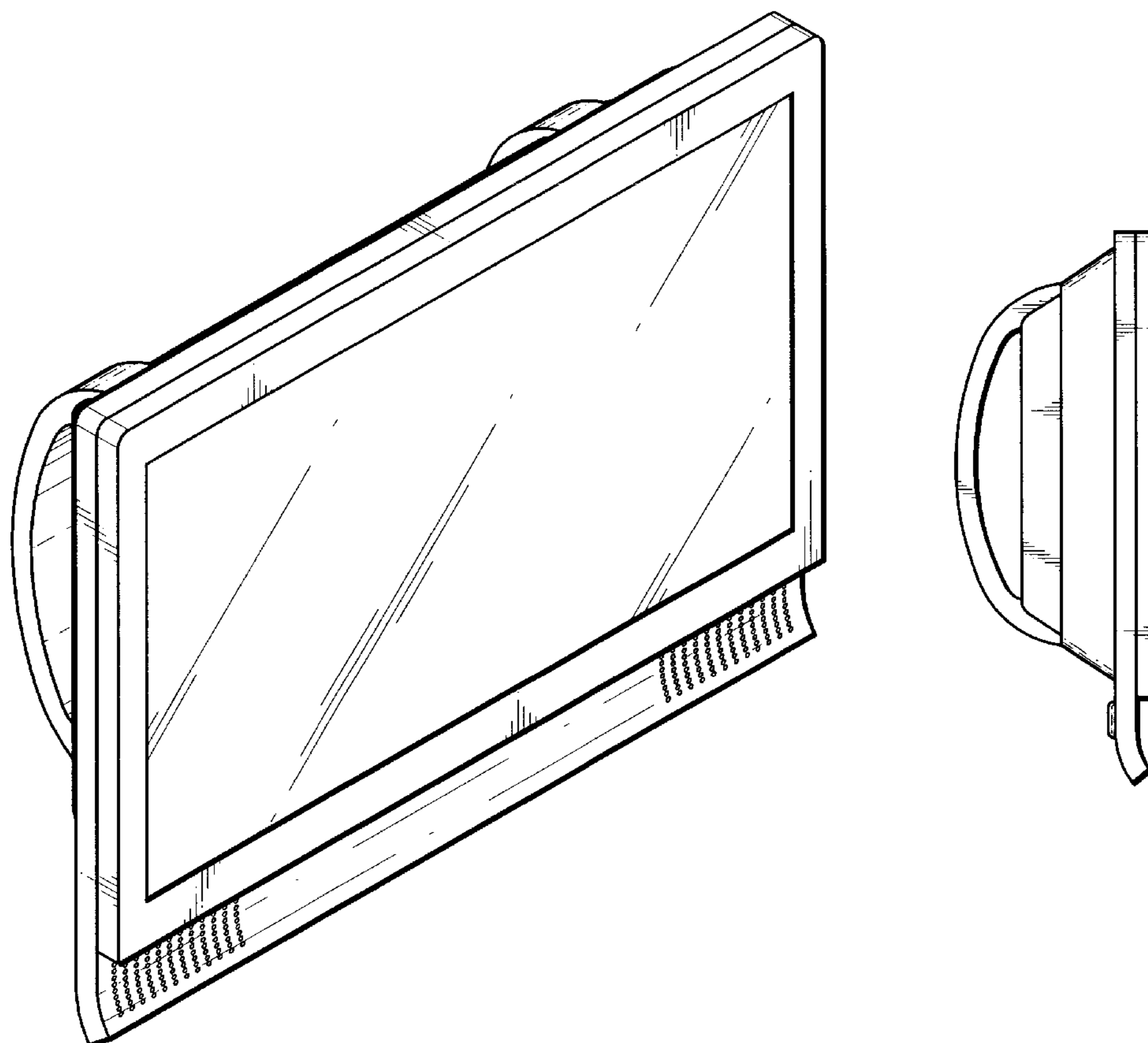
(57) **CLAIM**

I claim the ornamental design for a video display, as shown and described.

**DESCRIPTION**

FIG. 1 is a front perspective view of the video display;  
FIG. 2 is a front elevation view of the video display;  
FIG. 3 is a back elevation view of the video display;  
FIG. 4 is a right side elevation view of the video display, the  
left side being a mirror image,  
FIG. 5 is a top elevation view of the video display; and,  
FIG. 6 is a bottom elevation view of the video display.

**1 Claim, 3 Drawing Sheets**



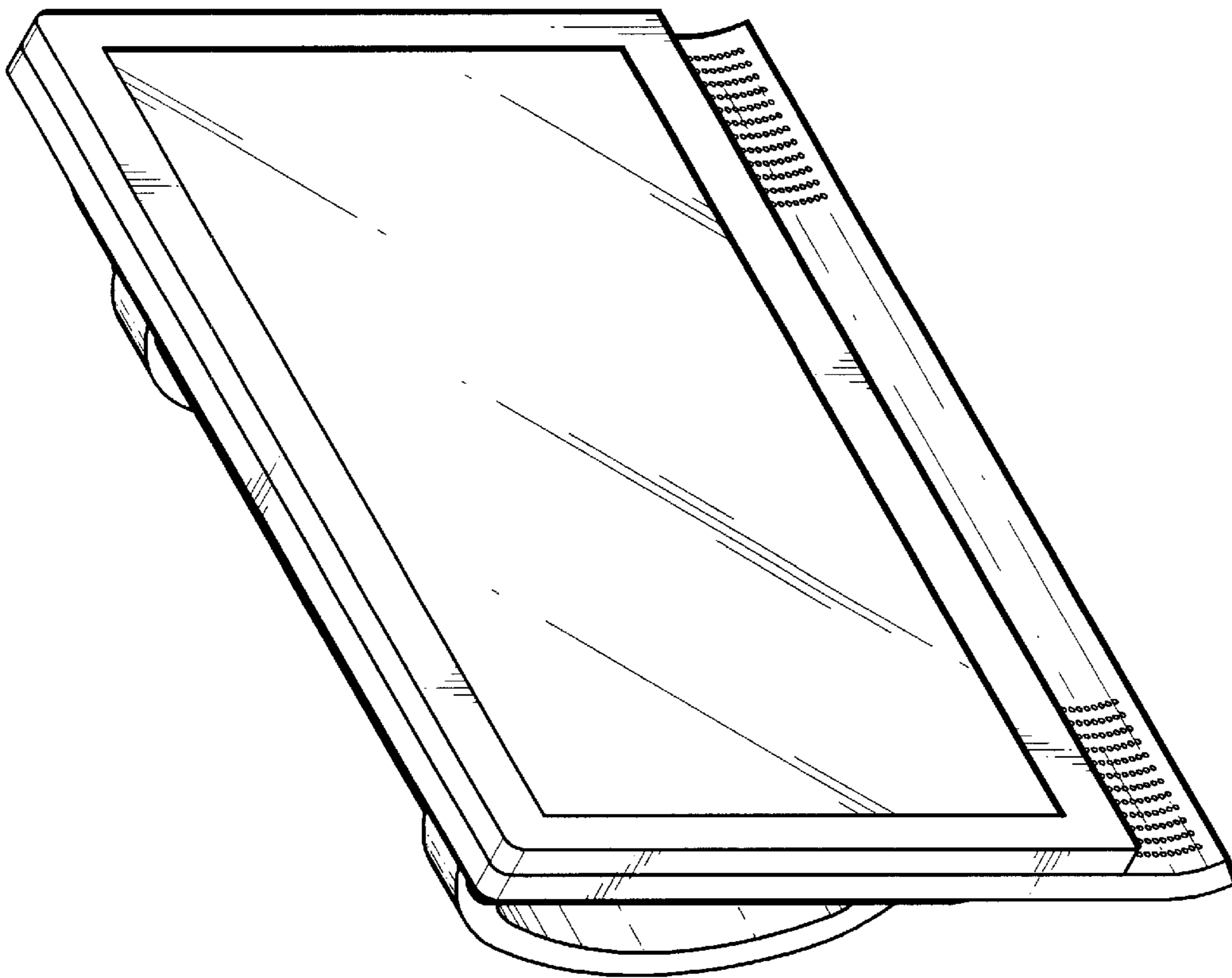


FIG. 1

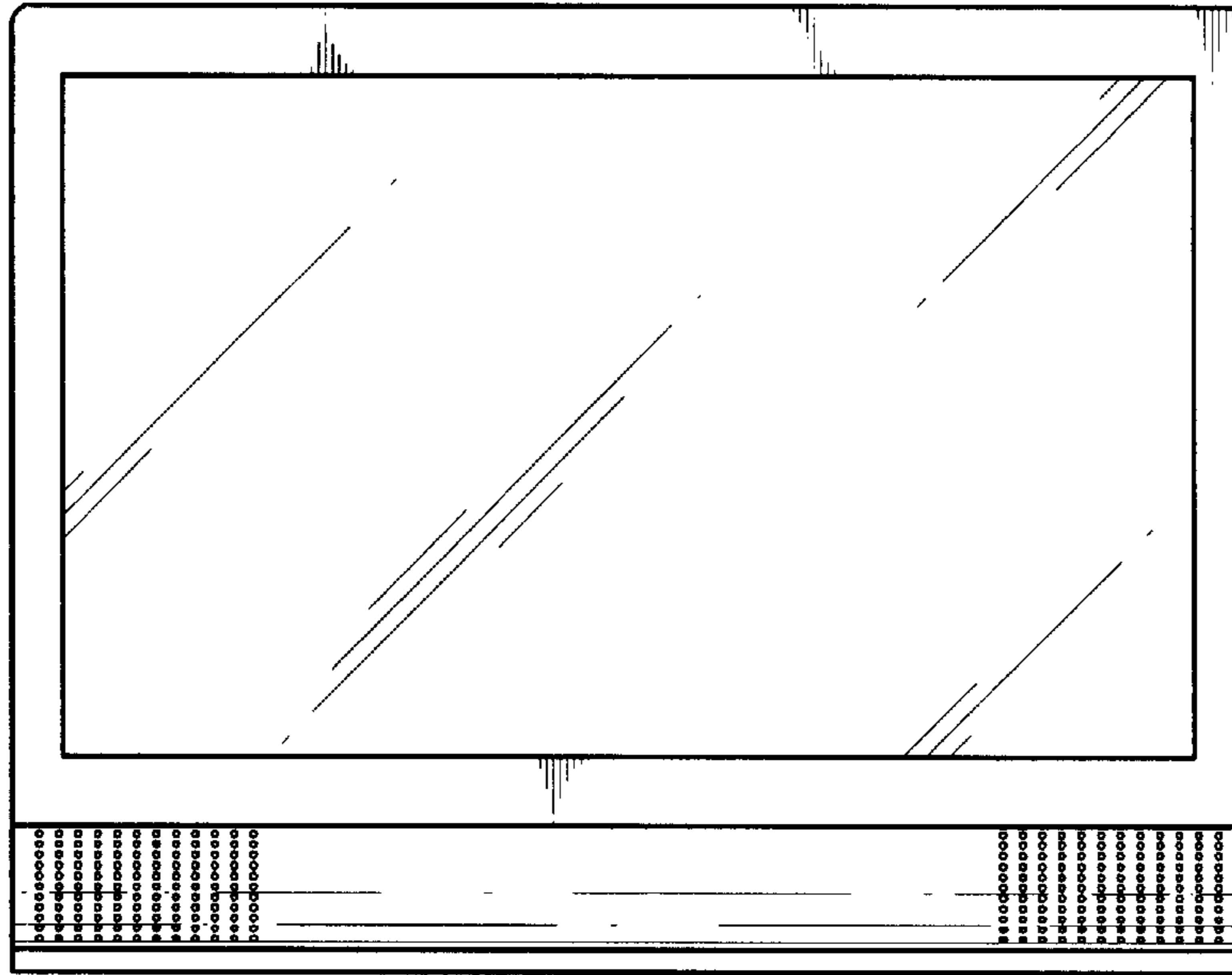


FIG. 2

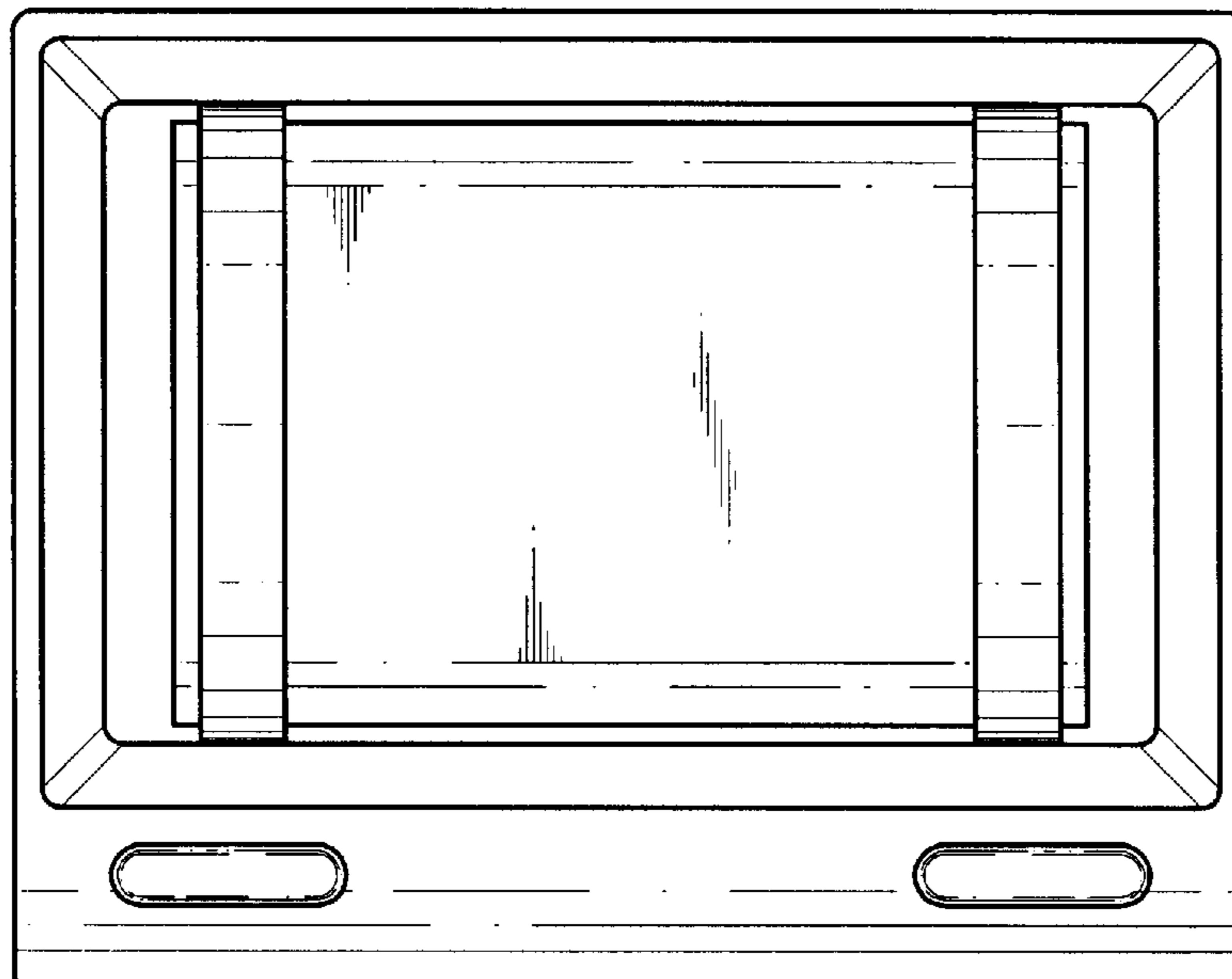


FIG. 3

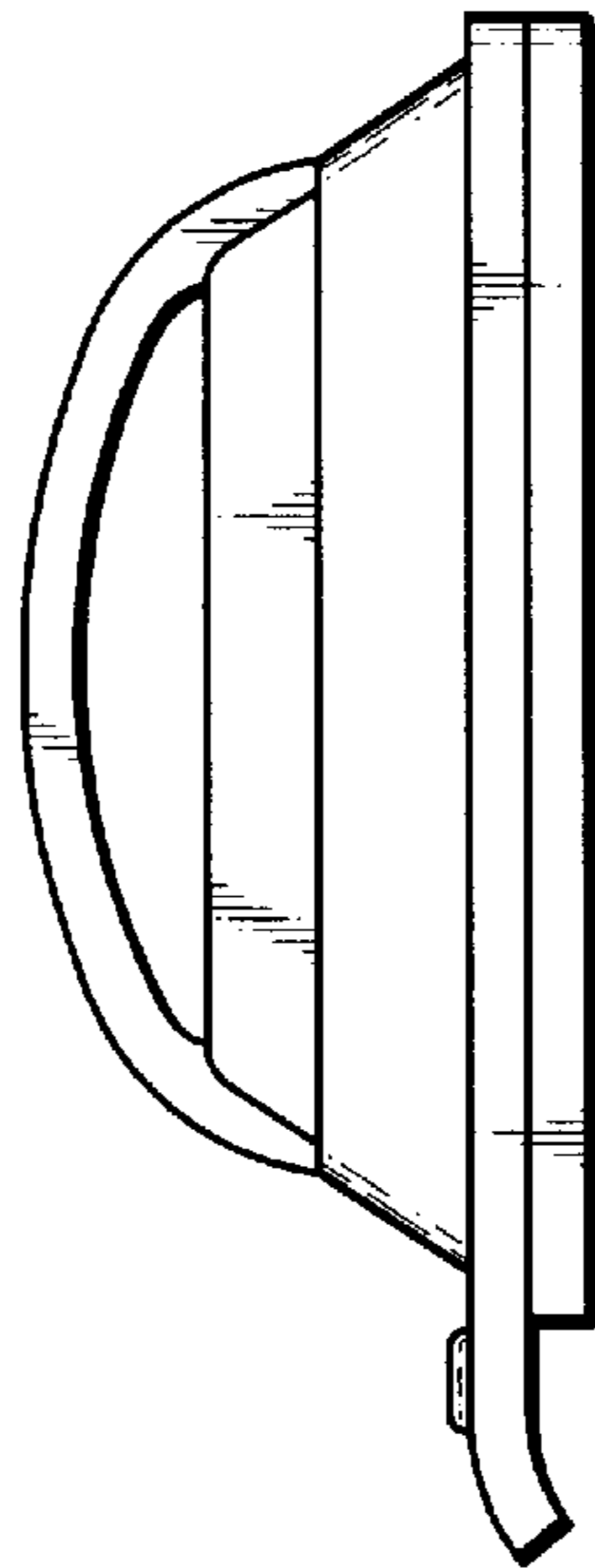


FIG. 4

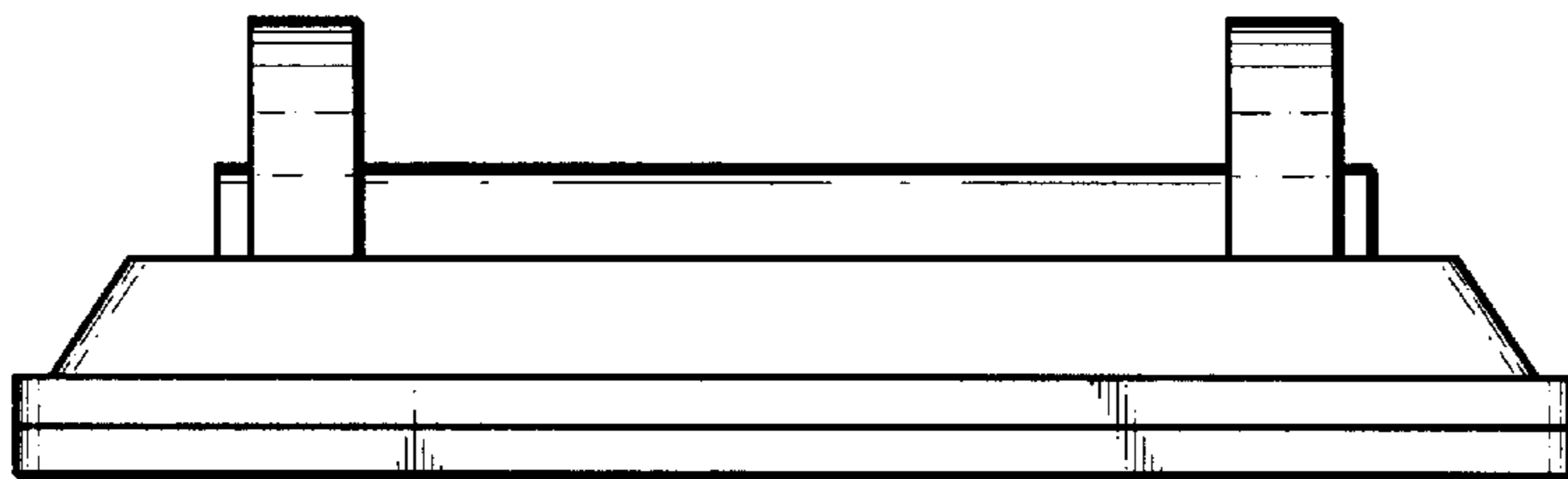


FIG. 5

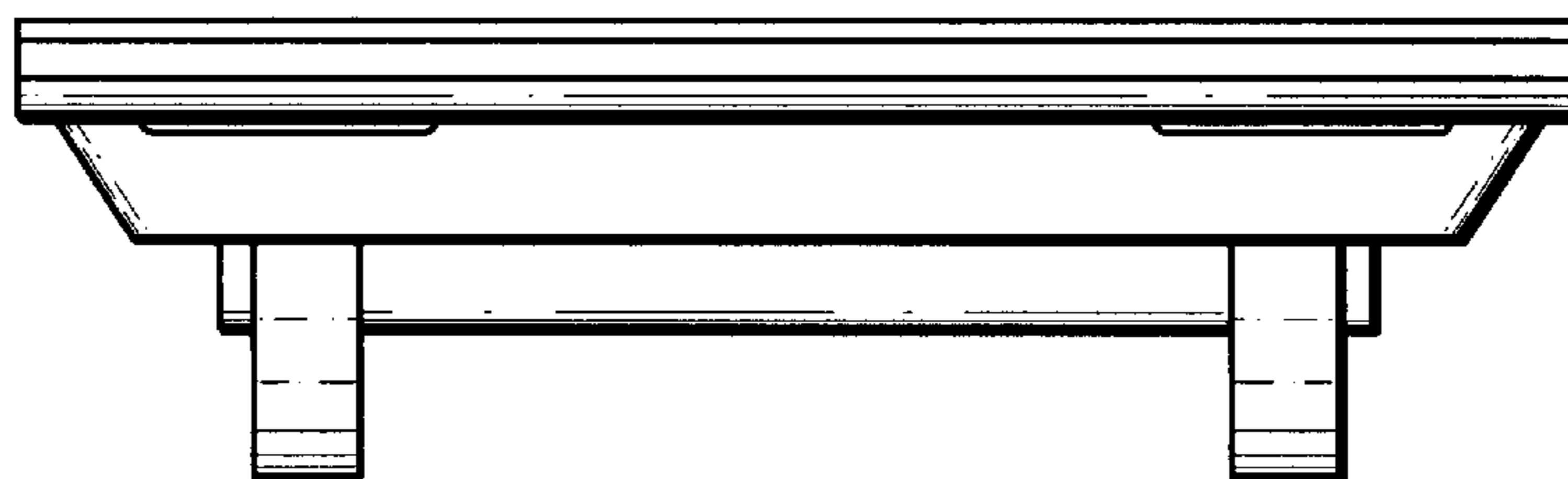


FIG. 6