



US00D540759S

(12) **United States Design Patent**
Macey et al.

(10) **Patent No.:** **US D540,759 S**

(45) **Date of Patent:** **** Apr. 17, 2007**

(54) **VIDEO DISPLAY**

(75) Inventors: **Stephen S. Macey**, Oceanside, CA
(US); **Christopher Larsen**, Vista, CA
(US)

(73) Assignee: **Watkins Manufacturing Corporation**,
Vista, CA (US)

(**) Term: **14 Years**

(21) Appl. No.: **29/251,737**

(22) Filed: **Jan. 12, 2006**

(51) **LOC (8) Cl.** **14-03**

(52) **U.S. Cl.** **D14/126; D16/134**

(58) **Field of Classification Search** D14/125-134,
D14/239, 371, 136, 374-377; 312/7.2; 348/836,
348/838, 180, 184, 325, 739; 341/12; 248/917-924,
248/465; 345/104, 133, 156, 168, 87, 173;
720/605, 669, 600, 655; 369/99, 197; 455/344-347
See application file for complete search history.

(56) **References Cited**

U.S. PATENT DOCUMENTS

D447,138 S * 8/2001 Arpe D14/336

D460,055 S *	7/2002	Rosen	D14/126
6,585,554 B1 *	7/2003	Hewitt et al.	446/146
D482,035 S *	11/2003	Olson et al.	D14/375
D483,367 S *	12/2003	Olson et al.	D14/375
D494,165 S *	8/2004	Yokota	D14/341
D495,702 S *	9/2004	Olson et al.	D14/371
D502,152 S *	2/2005	Peng	D14/126
6,937,464 B2 *	8/2005	Adams et al.	361/681
D524,772 S *	7/2006	Reza	D14/126
D525,956 S *	8/2006	Lee	D14/126

* cited by examiner

Primary Examiner—Raphael Barkai

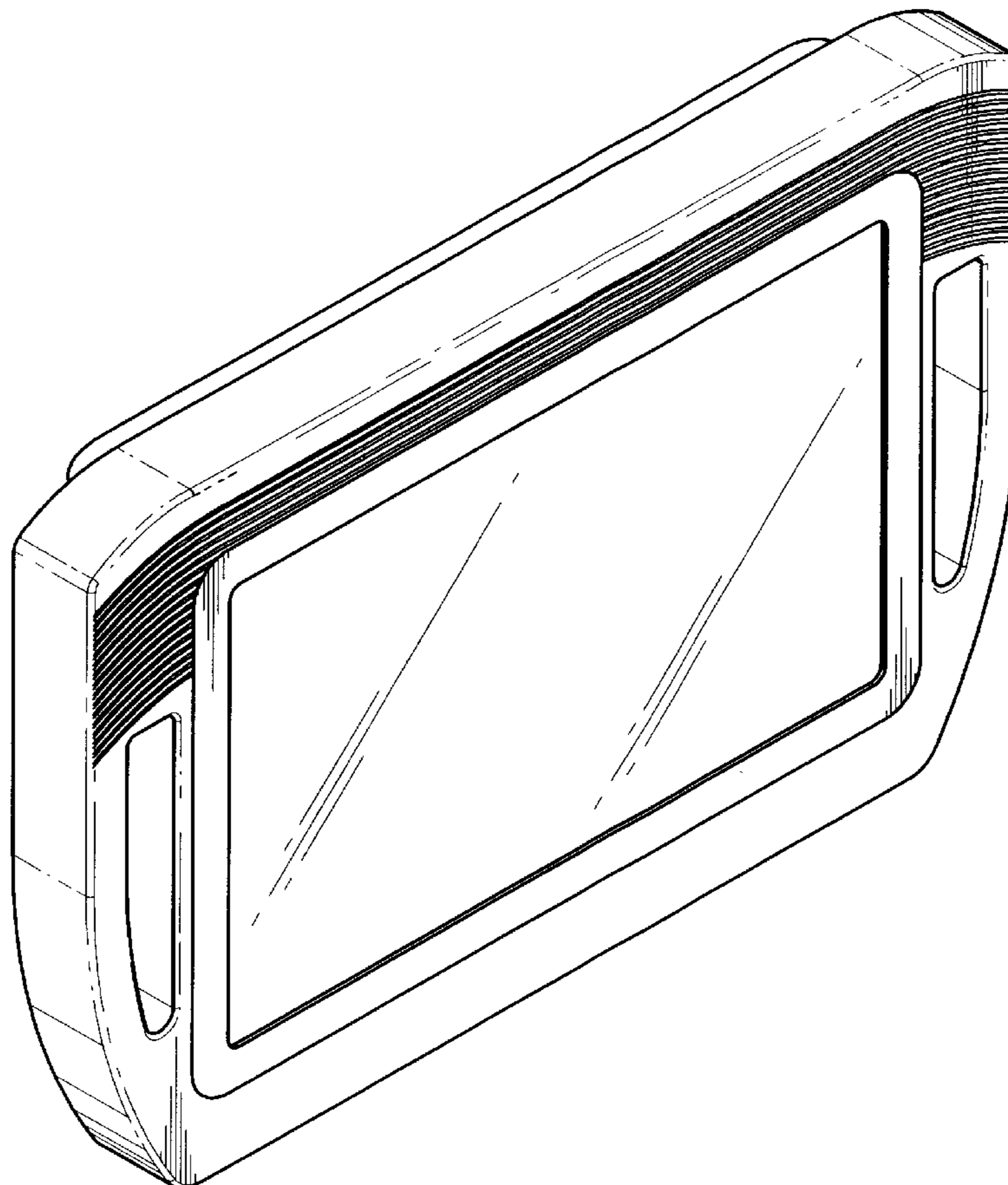
(57) **CLAIM**

I claim the ornamental design for a video display, as shown and described.

DESCRIPTION

FIG. 1 is a front perspective view of the video display; FIG. 2 is a front elevation view of the video display; FIG. 3 is a back elevation view of the video display; FIG. 4 is a left side elevation view of the video display, the right side being a mirror image, FIG. 5 is a top elevation view of the video display; and, FIG. 6 is a bottom elevation view of the video display.

1 Claim, 3 Drawing Sheets



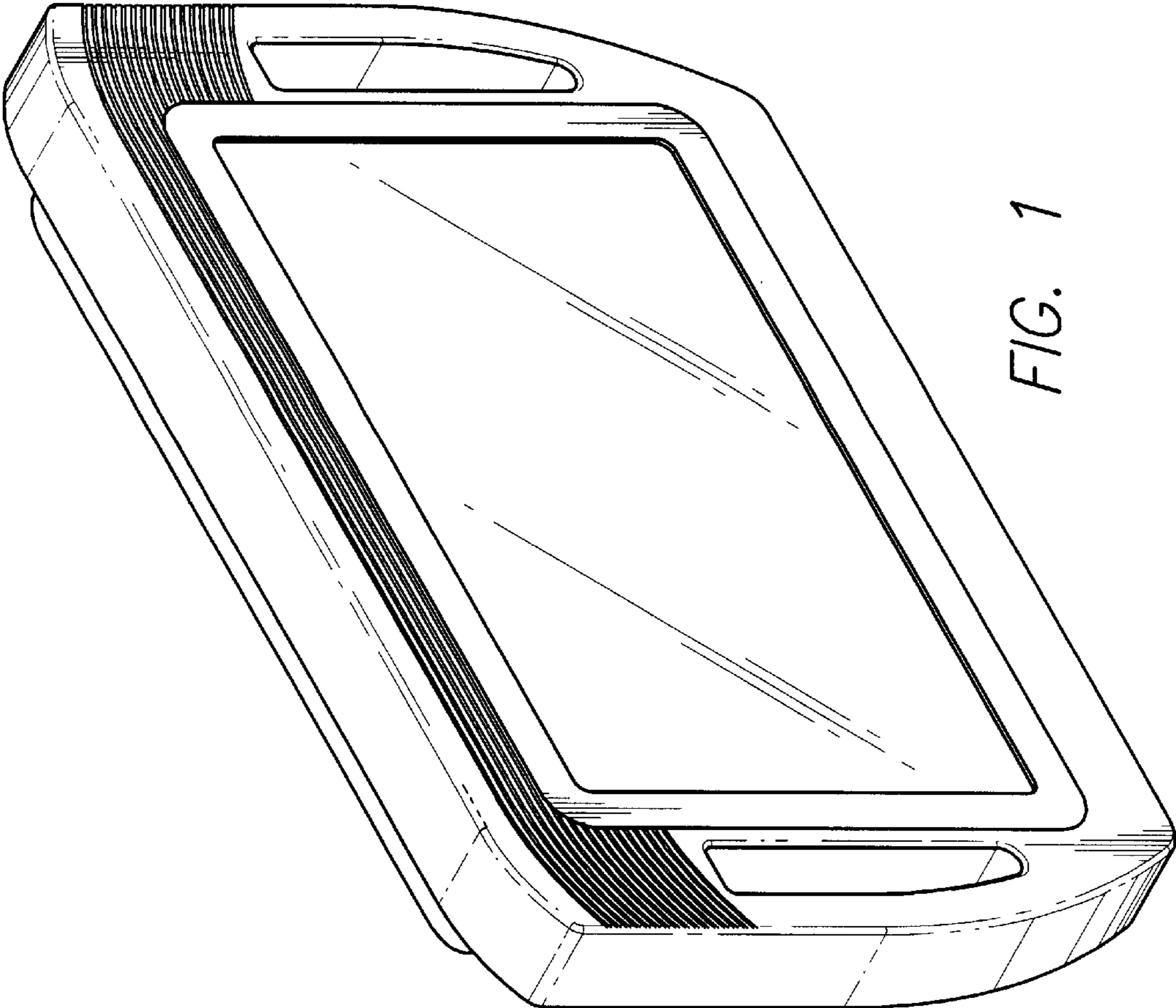


FIG. 1

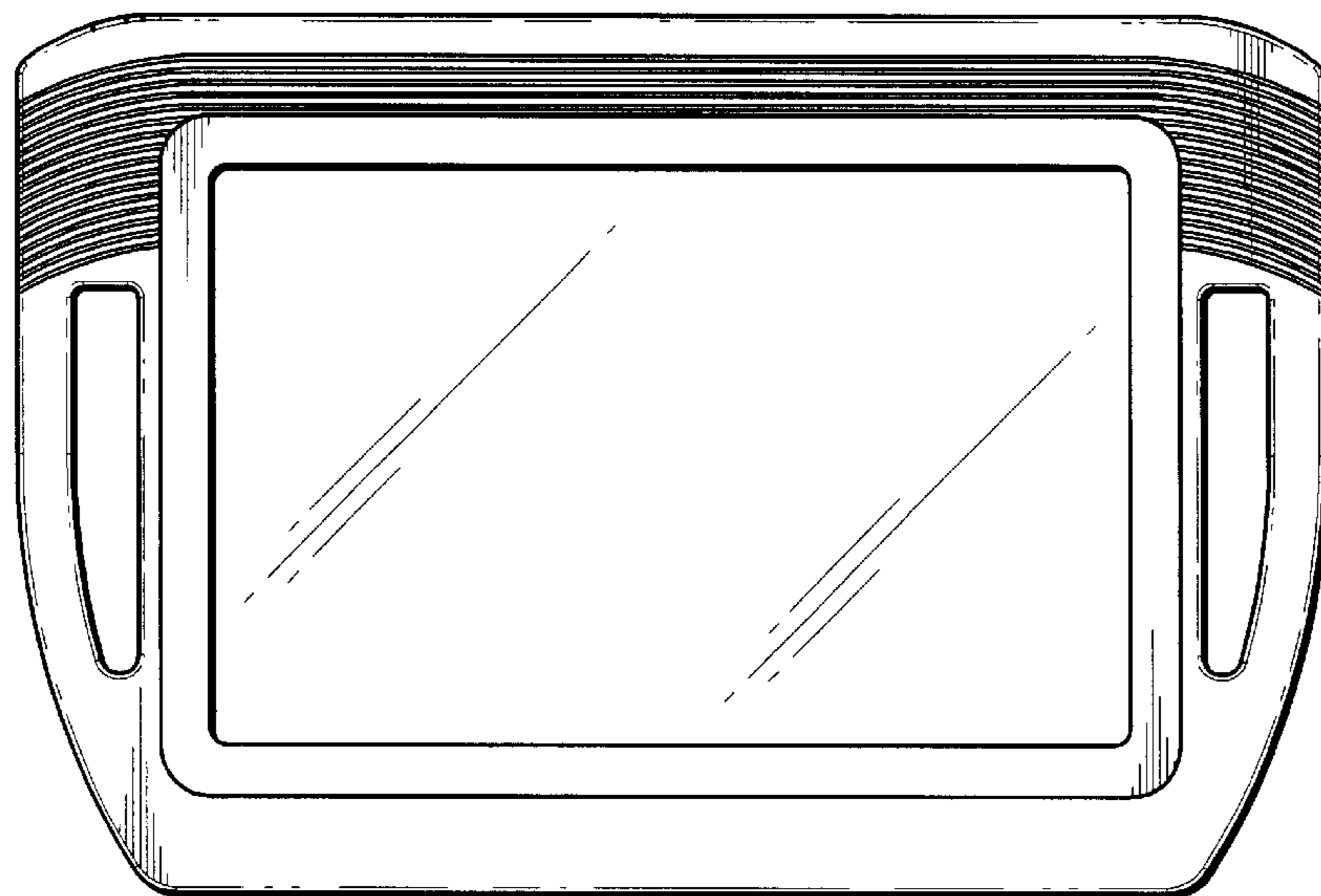


FIG. 2

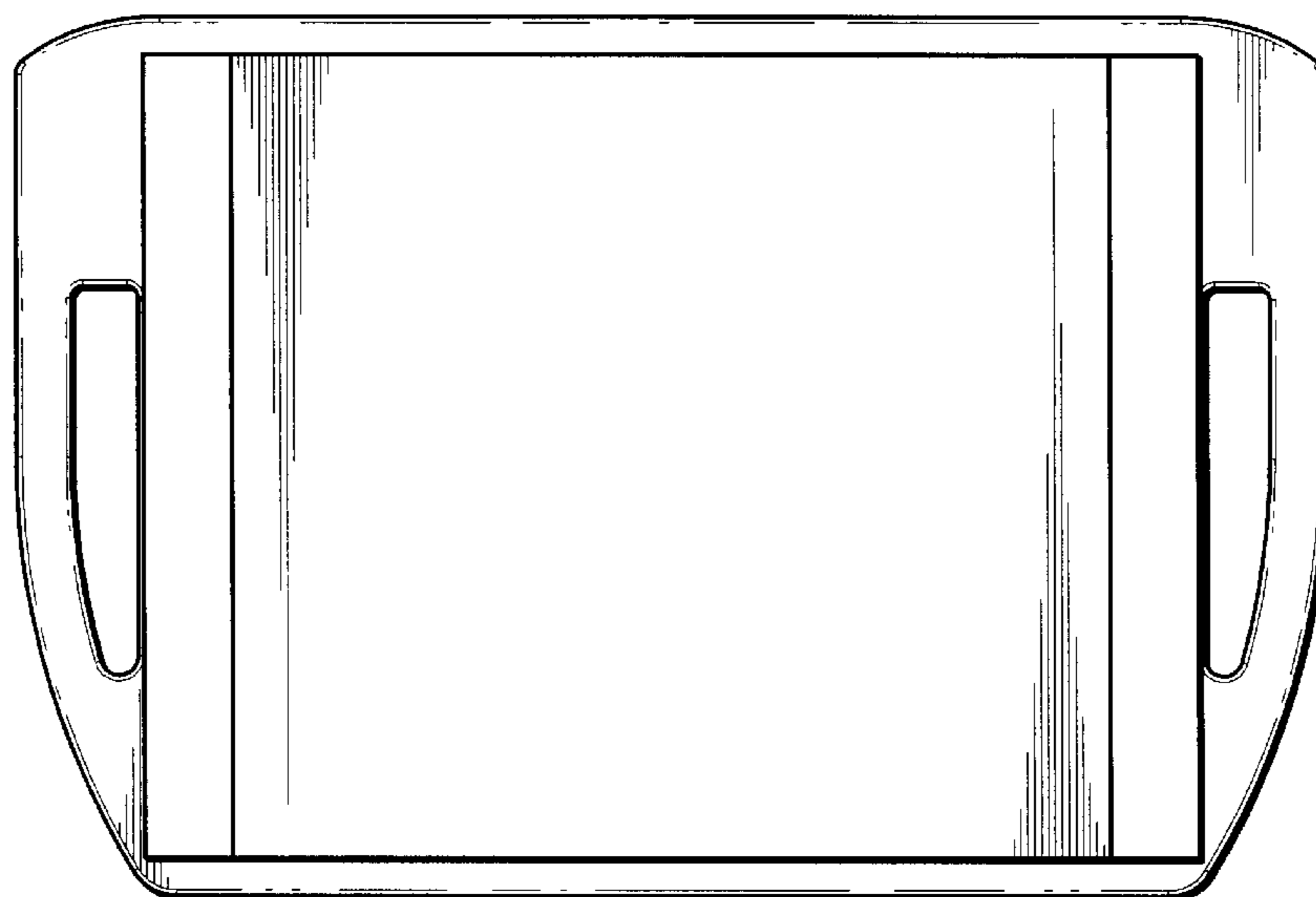


FIG. 3

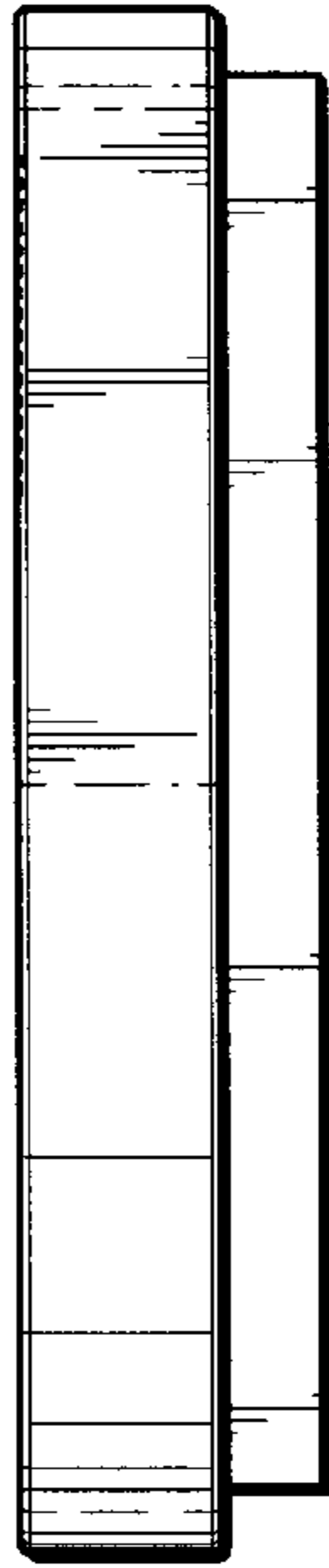


FIG. 4

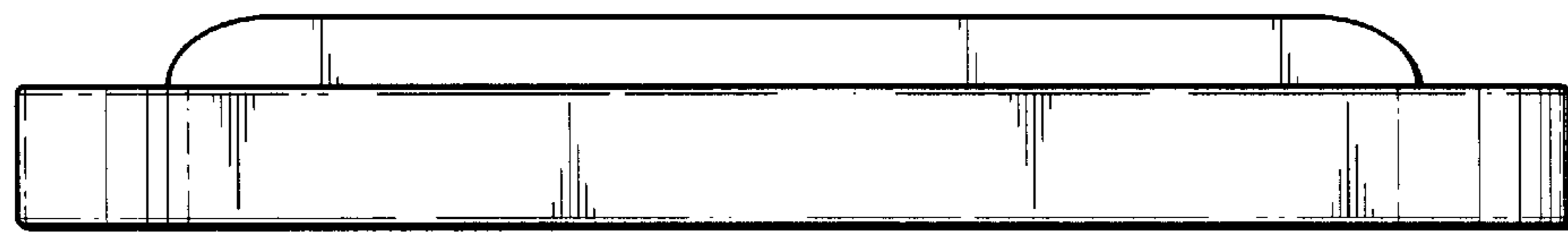


FIG. 5

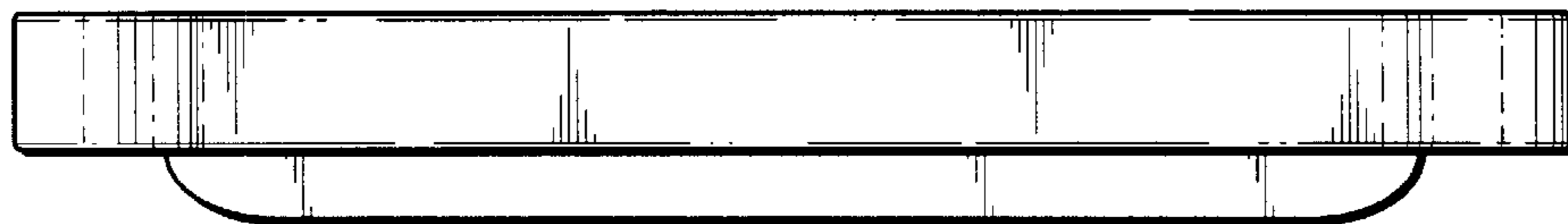


FIG. 6