



US00D540757S

(12) **United States Design Patent**
Tang

(10) **Patent No.:** **US D540,757 S**

(45) **Date of Patent:** **** Apr. 17, 2007**

(54) **TELEVISION SET**

(75) Inventor: **Huei-Jiun Tang**, Taipei (TW)

(73) Assignee: **Hannspree, Inc.**, Taipei (TW)

(**) Term: **14 Years**

(21) Appl. No.: **29/241,820**

(22) Filed: **Nov. 2, 2005**

(51) **LOC (8) Cl.** **14-03**

(52) **U.S. Cl.** **D14/126**

(58) **Field of Classification Search** D14/125-134,
D14/239, 371, 136, 374-377; 312/7.2; 348/836,
348/838, 180, 184, 325, 739; 341/12; 248/917-924,
248/465; 345/104, 133, 156, 168, 87, 173;
720/605, 669, 600, 655; 369/99, 197; 455/344-347
See application file for complete search history.

(56) **References Cited**

U.S. PATENT DOCUMENTS

D407,388 S * 3/1999 Liao D14/374
D425,035 S * 5/2000 Kondo et al. D14/375

D458,256 S * 6/2002 Liu D14/375
D492,291 S * 6/2004 Takahashi et al. D14/239
D524,267 S * 7/2006 Reza D14/126
D524,771 S * 7/2006 Reza D14/126
D528,083 S * 9/2006 Voege D14/126

* cited by examiner

Primary Examiner—Raphael Barkai

(74) *Attorney, Agent, or Firm*—Bacon & Thomas, PLLC

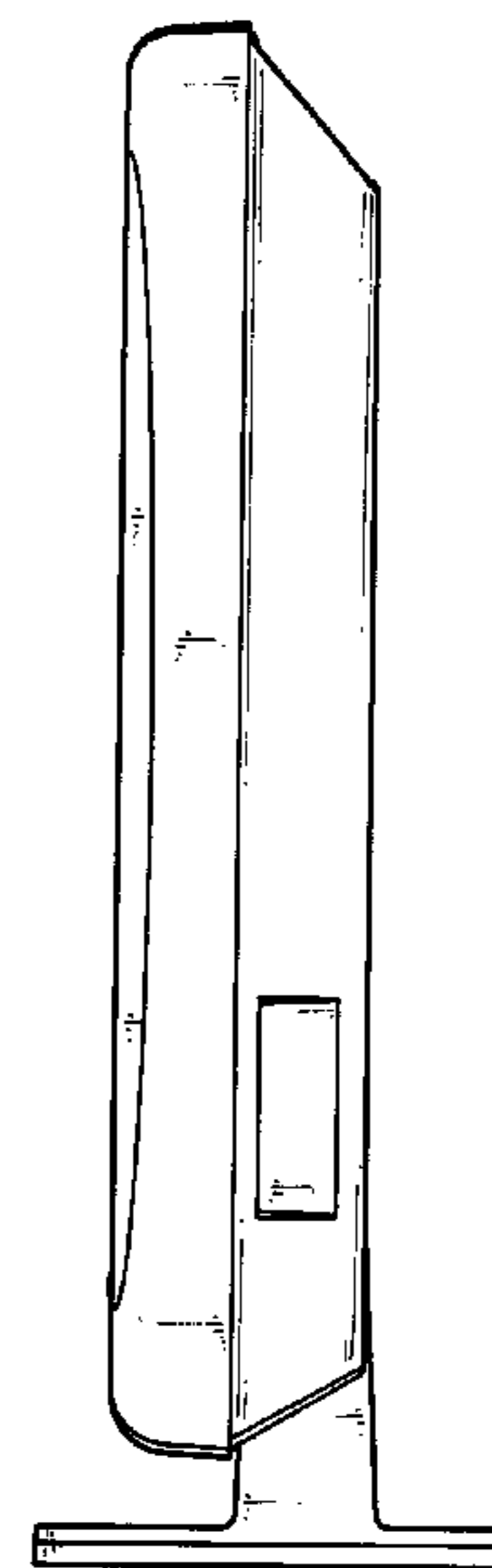
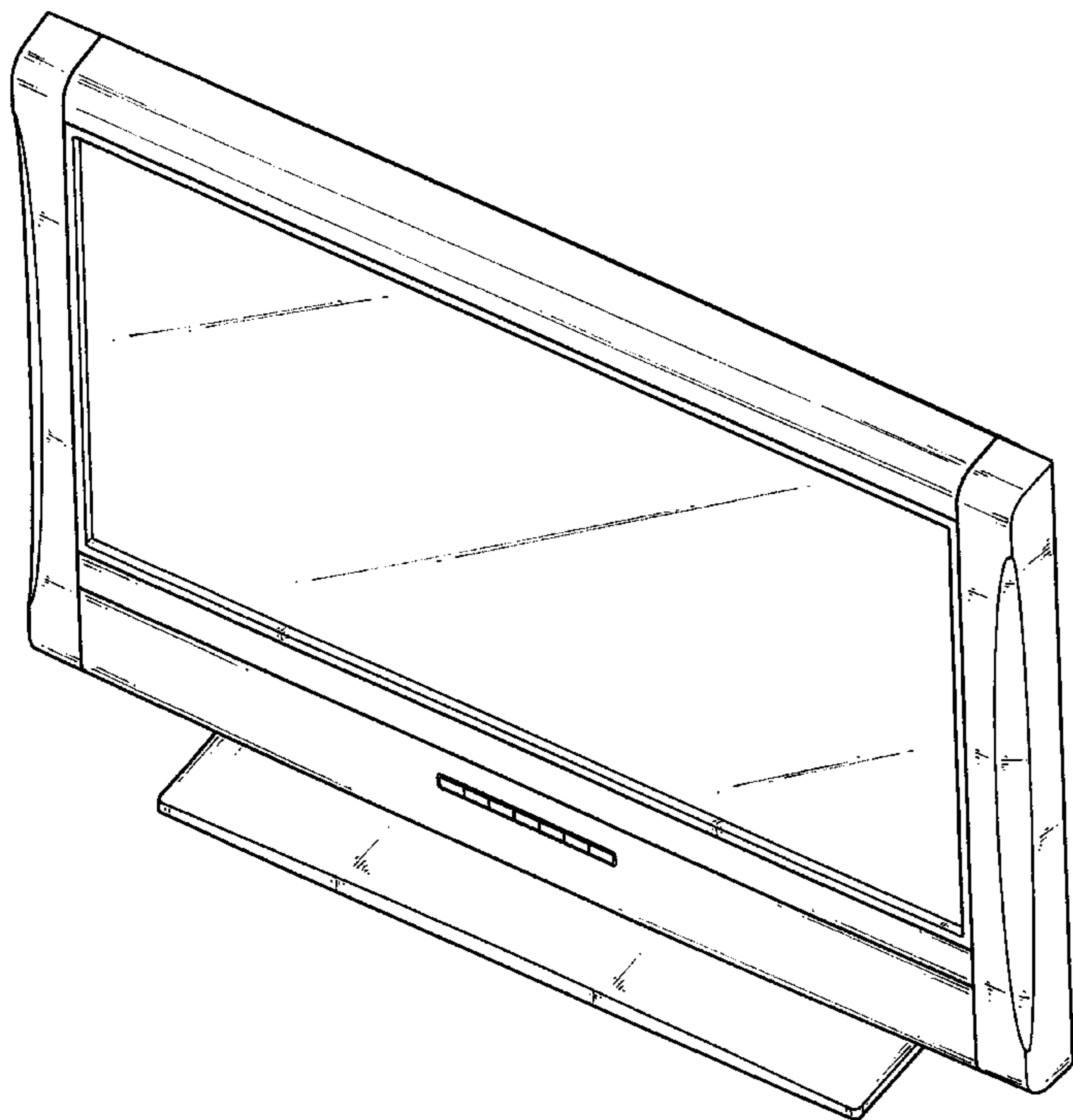
(57) **CLAIM**

The ornamental design for a television set, as shown.

DESCRIPTION

FIG. 1 is a perspective view of a television set showing my new design;
FIG. 2 is a front elevational view thereof;
FIG. 3 is a rear elevational view thereof;
FIG. 4 is a left side elevational view thereof;
FIG. 5 is a right side elevational view thereof;
FIG. 6 is a top plan view thereof; and,
FIG. 7 is a bottom plan view thereof.

1 Claim, 5 Drawing Sheets



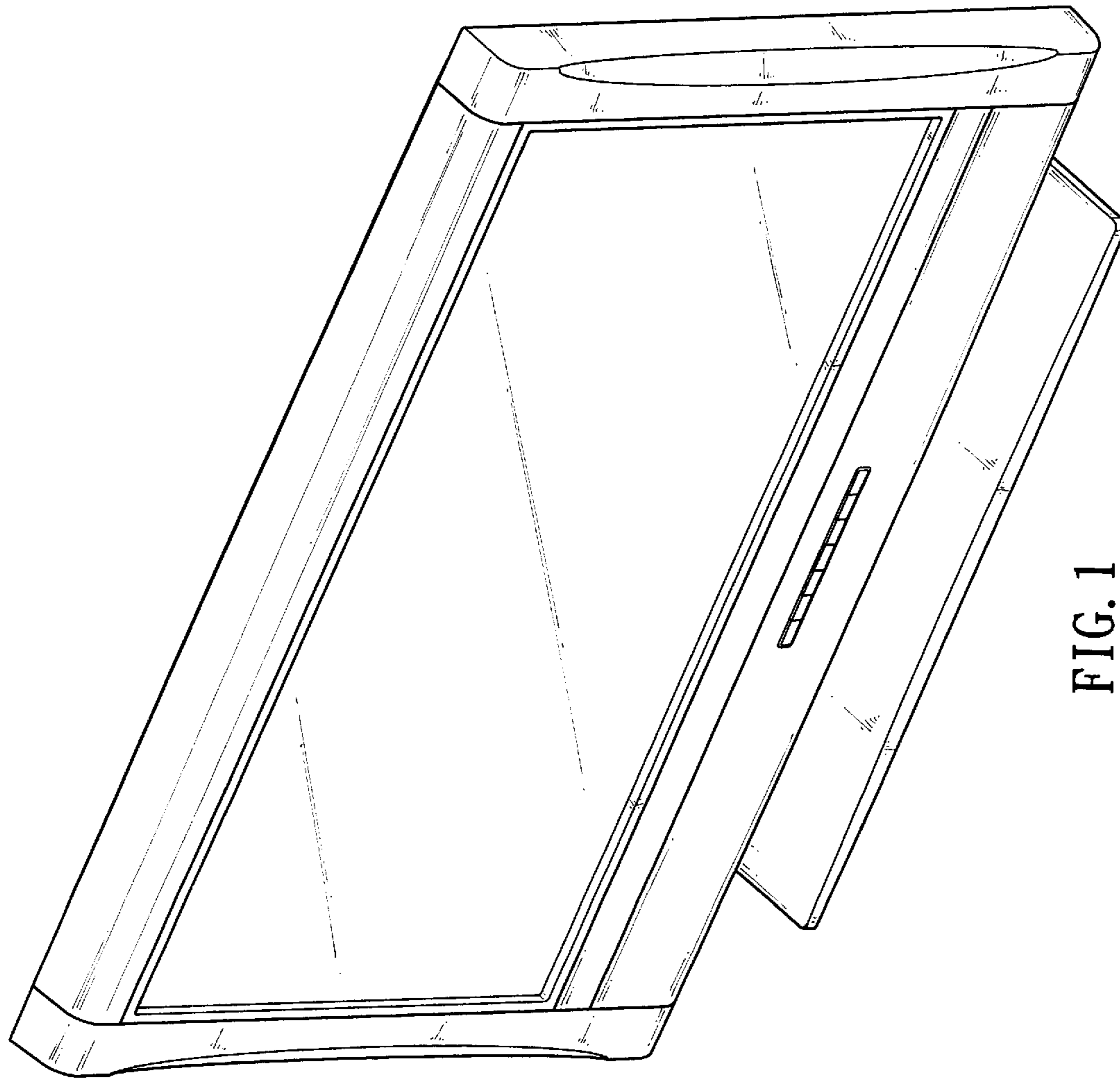


FIG. 1

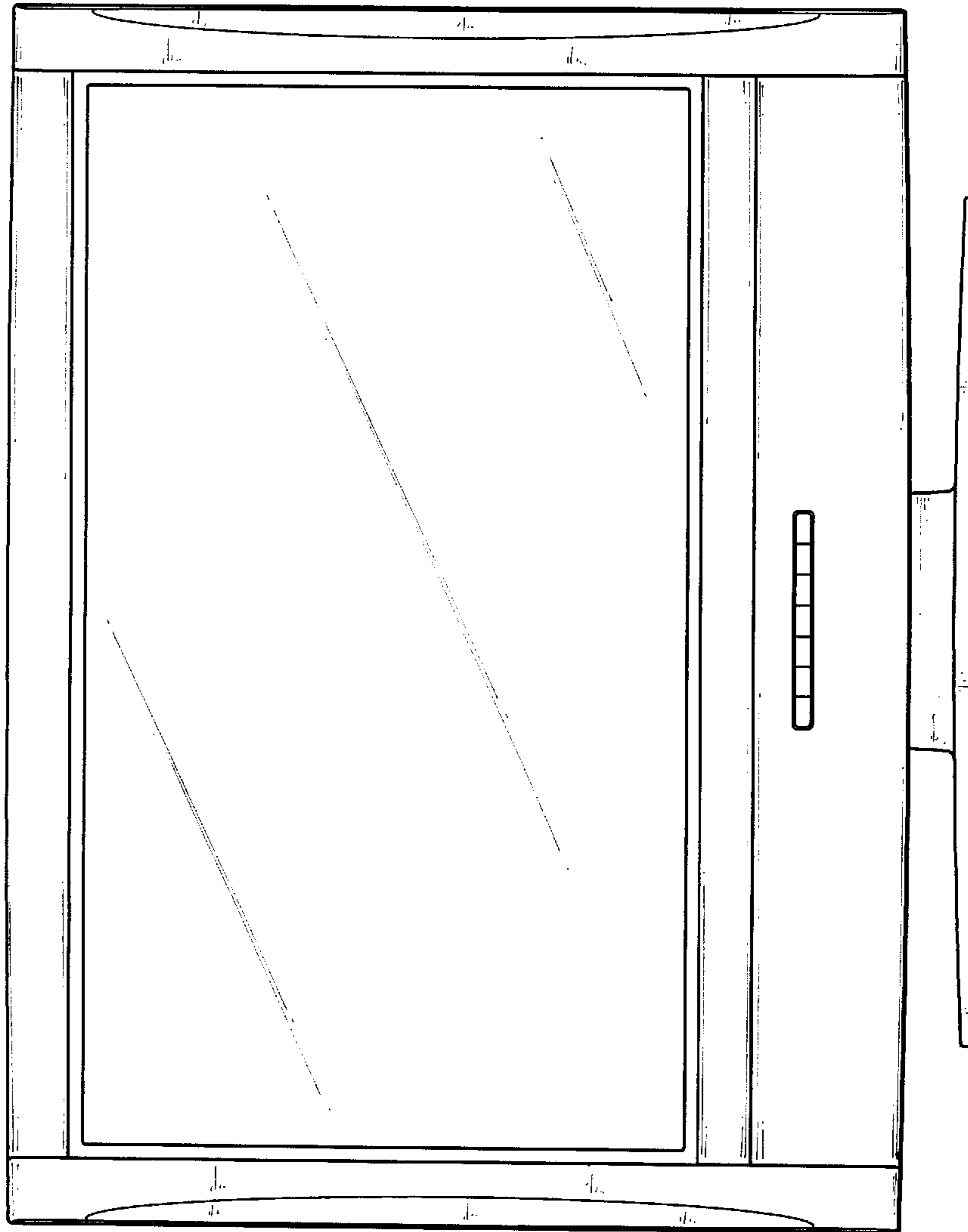


FIG. 2

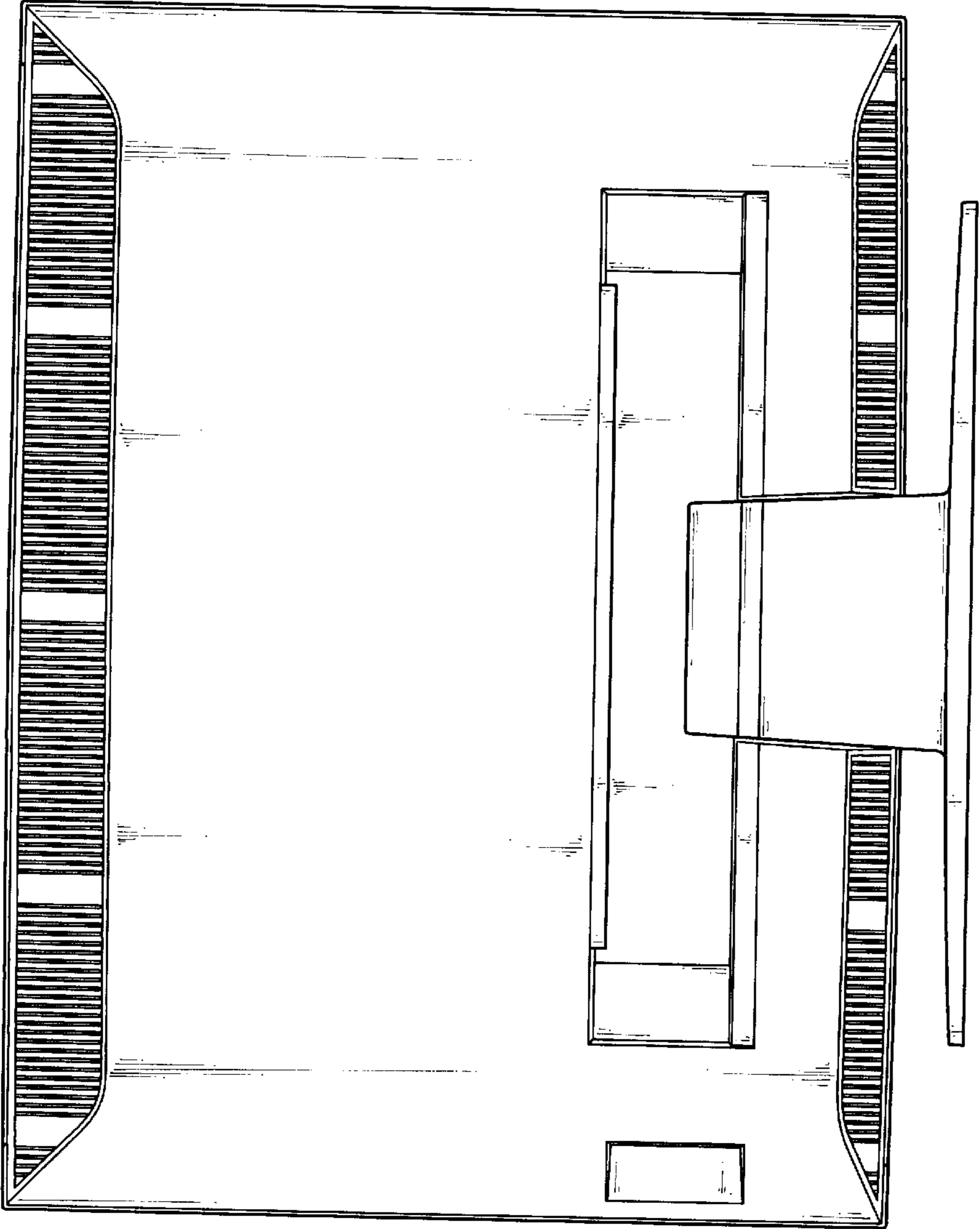


FIG. 3

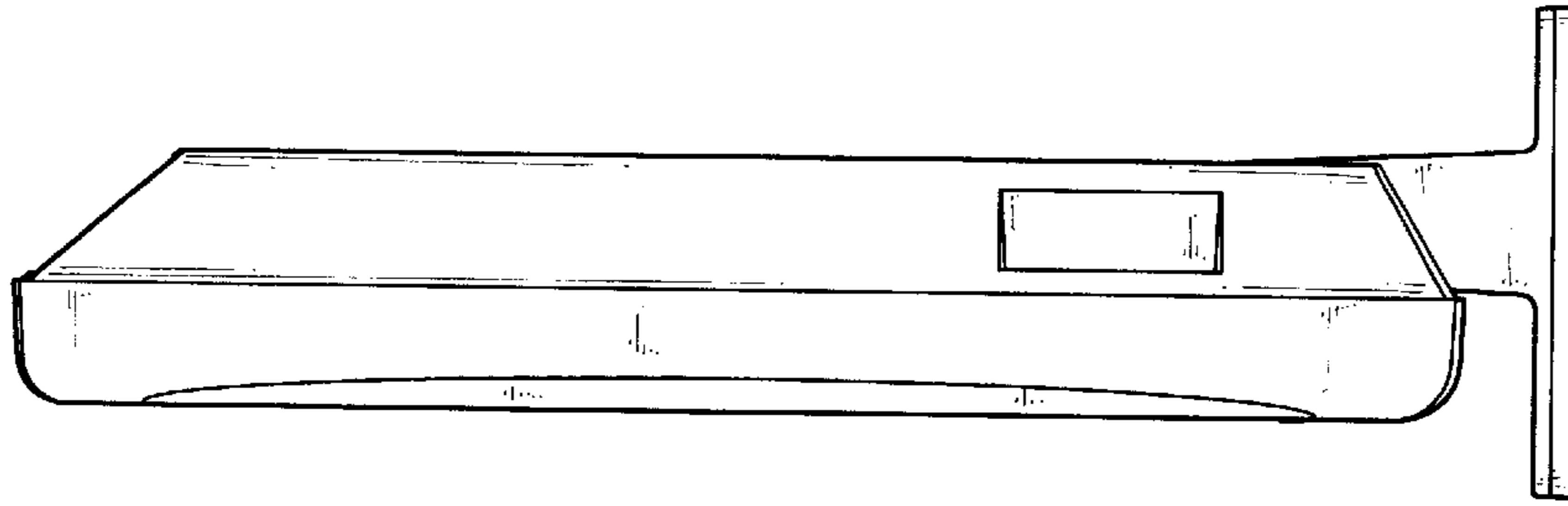


FIG. 5

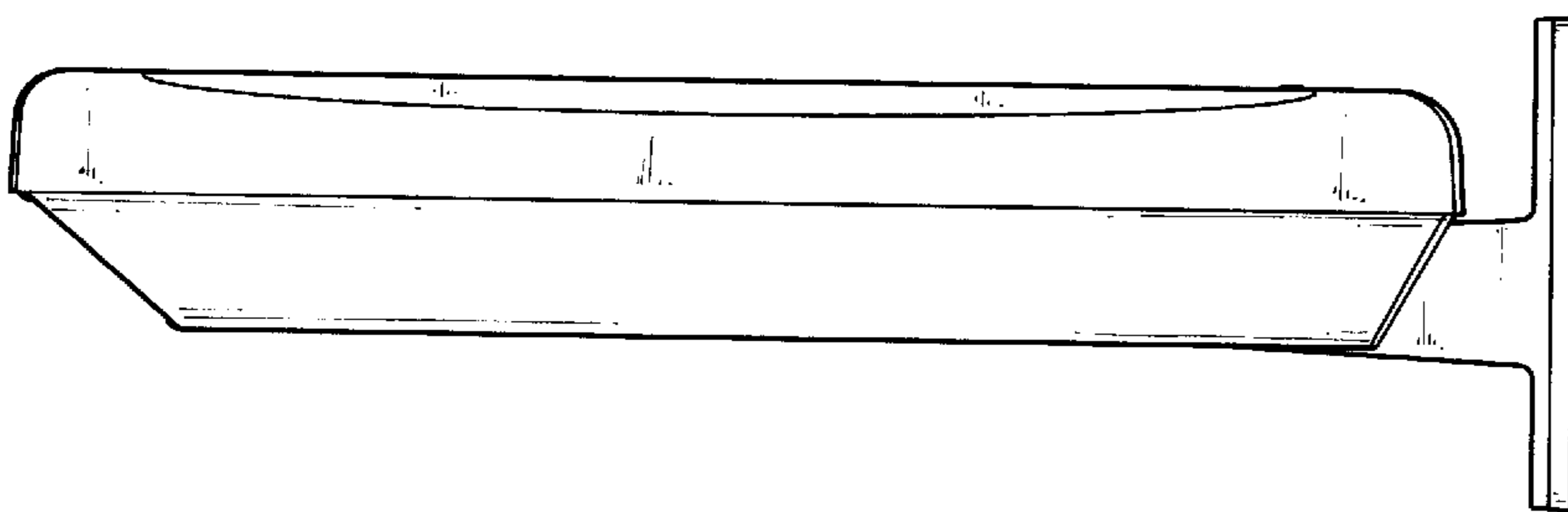


FIG. 4

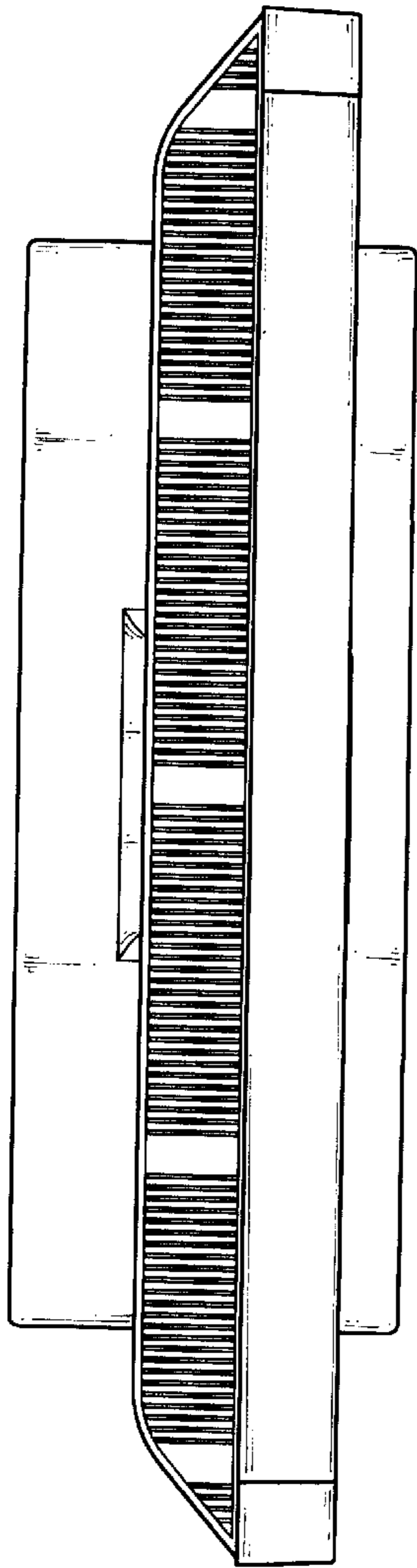


FIG. 6

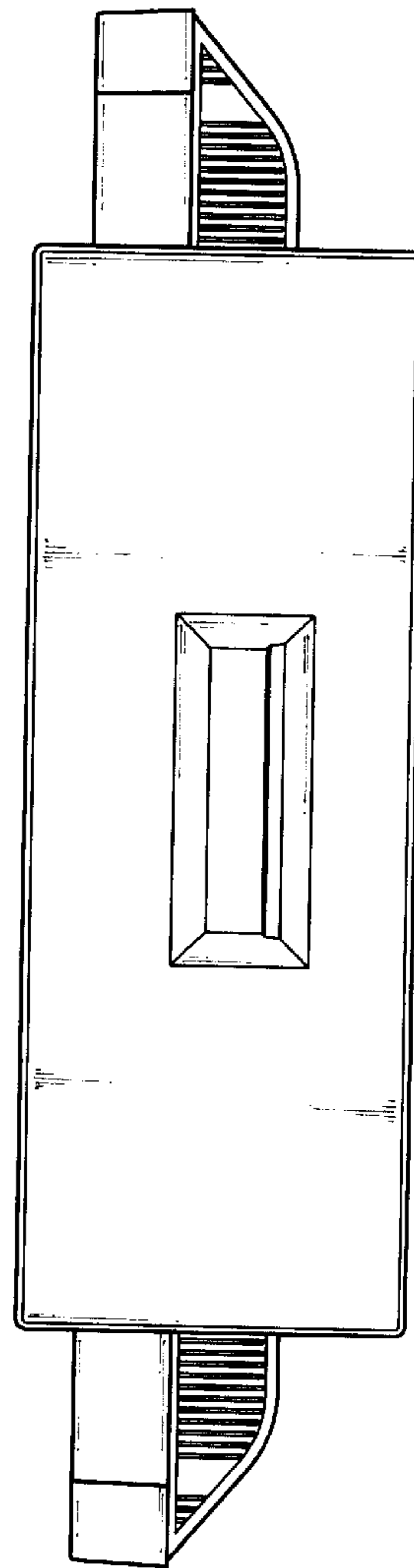


FIG. 7