

US00D540750S

(12) **United States Design Patent**  
**Lee**

(10) **Patent No.:** **US D540,750 S**

(45) **Date of Patent:** **\*\* Apr. 17, 2007**

(54) **RADIATOR FOR A CHIPSET OF A GRAPHIC CARD**

(75) Inventor: **Sang Cheol Lee, Kunpo (KR)**

(73) Assignee: **Zalman Tech Co., Ltd. (KR)**

(\*\*) Term: **14 Years**

(21) Appl. No.: **29/221,780**

(22) Filed: **Jan. 20, 2005**

(30) **Foreign Application Priority Data**

Nov. 23, 2004 (KR) ..... 30-2004-0035782

(51) **LOC (8) Cl.** ..... **13-03**

(52) **U.S. Cl.** ..... **D13/179**

(58) **Field of Classification Search** ..... D13/179;  
D23/370; 165/80.3, 104.33, 121, 122, 146,  
165/185; 174/16.3; 257/706, 707, 718-722;  
361/687, 695, 697, 700, 702, 704, 709-711,  
361/719

See application file for complete search history.

(56) **References Cited**

**U.S. PATENT DOCUMENTS**

6,289,975 B2 \* 9/2001 Kuo ..... 165/80.3  
6,295,202 B1 \* 9/2001 Tucker et al. .... 361/704  
D466,871 S \* 12/2002 Lee ..... D13/179  
D477,291 S \* 7/2003 Lee ..... D13/179  
D479,830 S \* 9/2003 Lee ..... D13/179  
D480,692 S \* 10/2003 Lee ..... D13/179  
6,675,885 B2 \* 1/2004 Kuo ..... 165/185  
6,712,127 B2 \* 3/2004 Lee ..... 165/80.3

6,883,592 B2 \* 4/2005 Lee ..... 165/80.3  
2006/0061970 A1 \* 3/2006 Lee ..... 361/709

\* cited by examiner

*Primary Examiner*—Selina Sikder

(74) *Attorney, Agent, or Firm*—Tuchman & Park LLC

(57) **CLAIM**

I claim the ornamental design for a radiator for a chipset of a graphic card, as shown and described in the drawings.

**DESCRIPTION**

FIG. 1 is a front perspective view of a radiator for a chipset of a graphic card in accordance with the new design; FIG. 2 is a front view of the radiator for a chipset of a graphic card according to FIG. 1; FIG. 3 is a rear view of the radiator for a chipset of a graphic card according to FIG. 1; FIG. 4 is a left side view of the radiator for a chipset of a graphic card according to FIG. 1; FIG. 5 is a right side view of the radiator for a chipset of a graphic card according to FIG. 1; FIG. 6 is a top plan view of the radiator for a chipset of a graphic card according to FIG. 1; FIG. 7 is a bottom plan view of the radiator for a chipset of a graphic card according to FIG. 1; and, FIG. 8 is a perspective view illustrating use of the radiator for a chipset of a graphic card according to FIG. 1. The broken lines in FIG. 8 indicate environment elements (e.g., a graphic card) for illustrative purposes only and form no part of the claimed design.

**1 Claim, 6 Drawing Sheets**

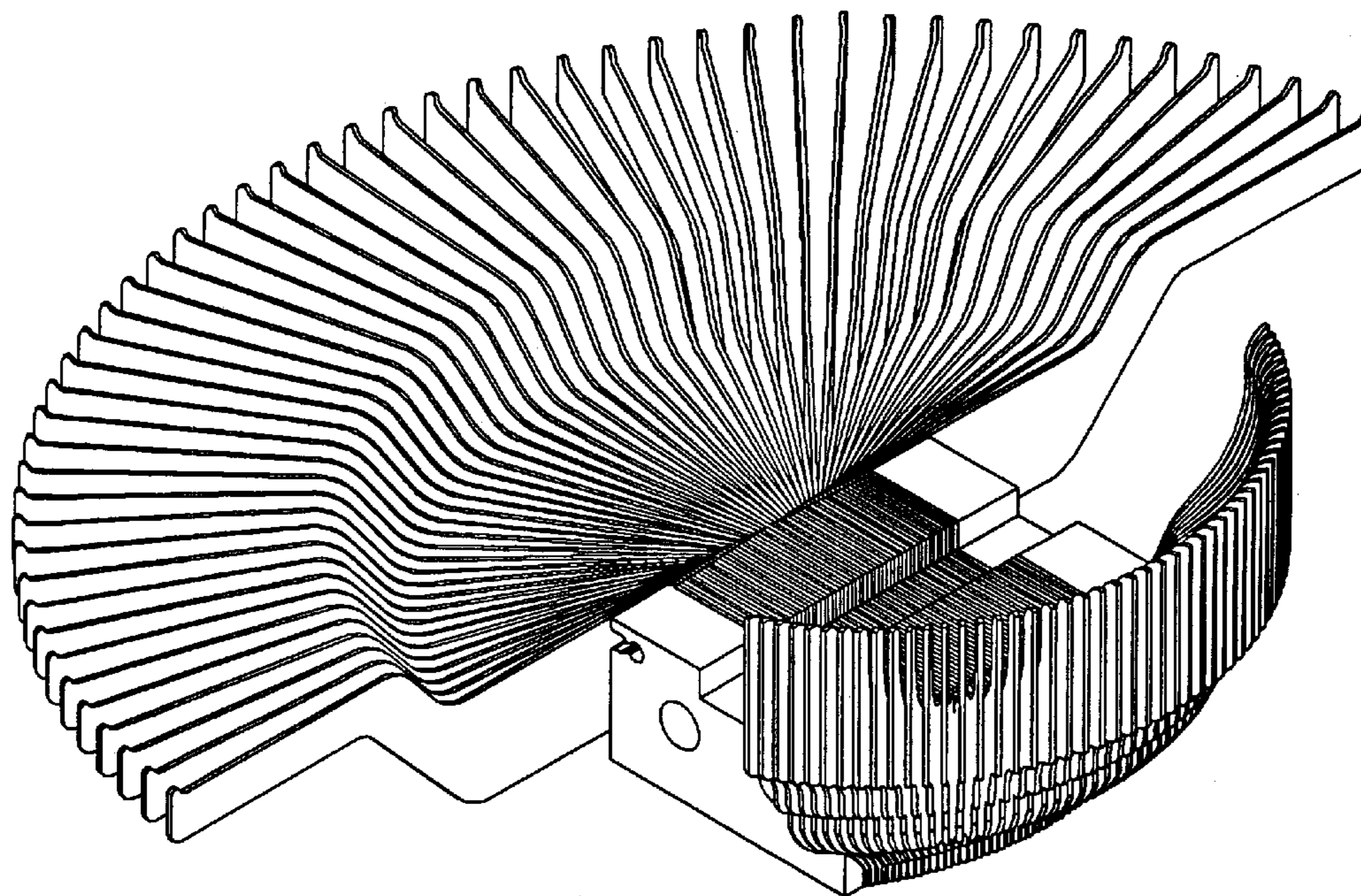


FIG. 1

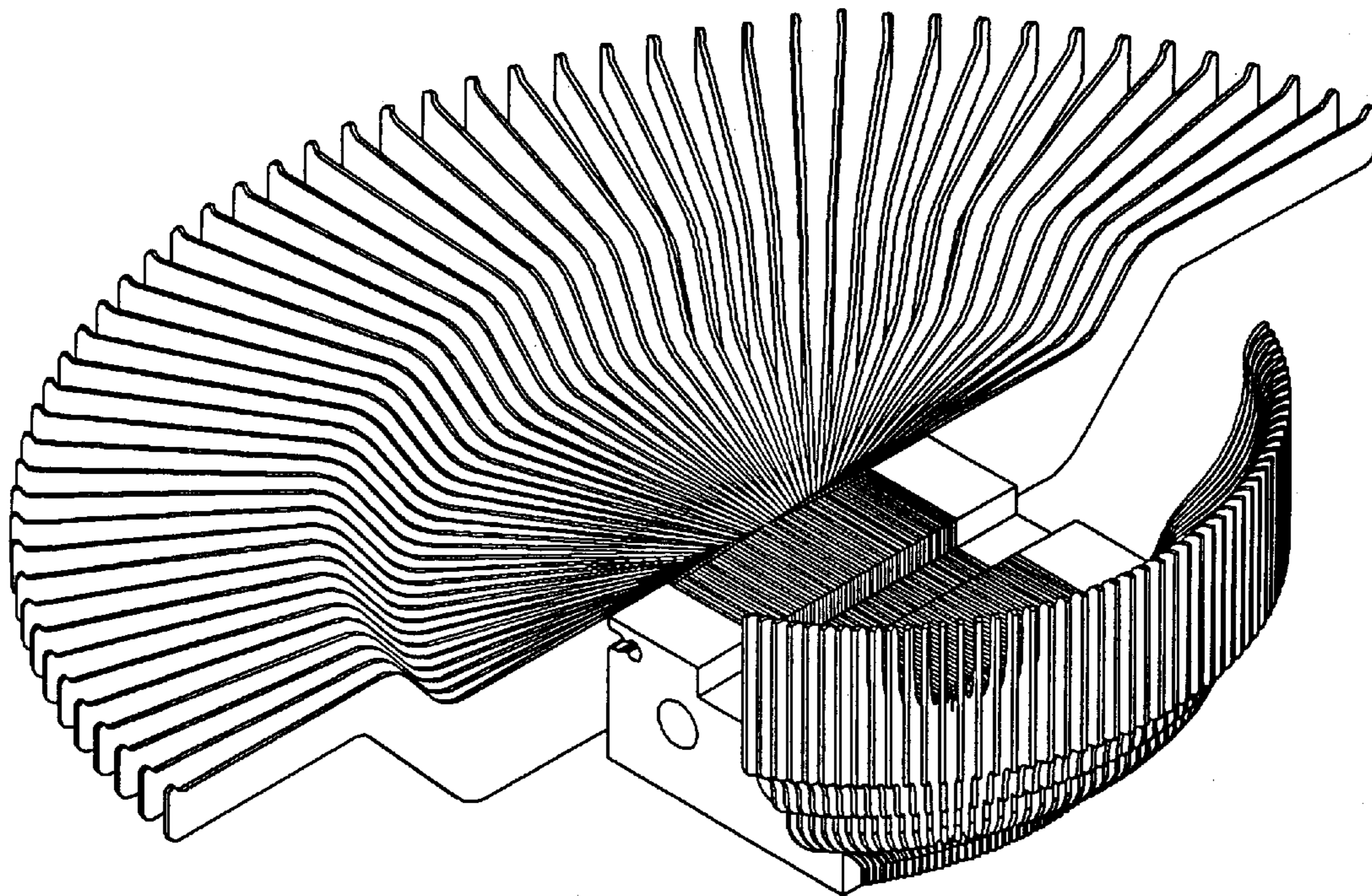


FIG. 2

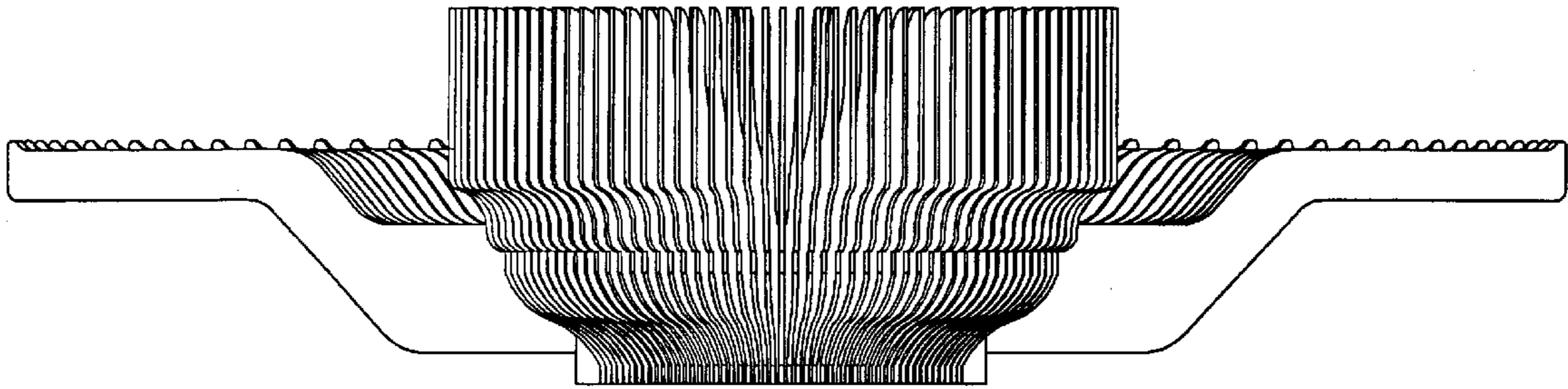


FIG. 3

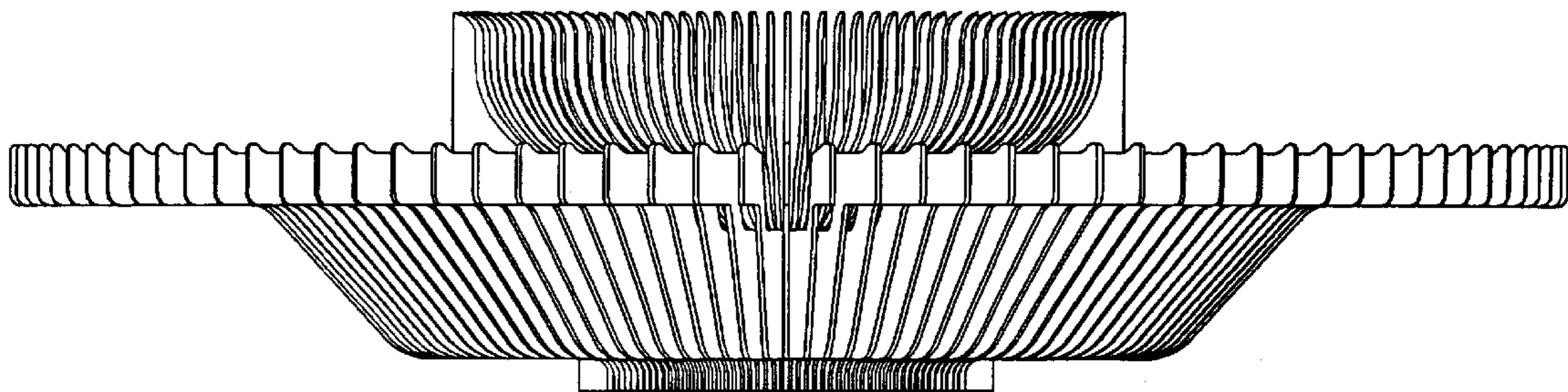


FIG. 4

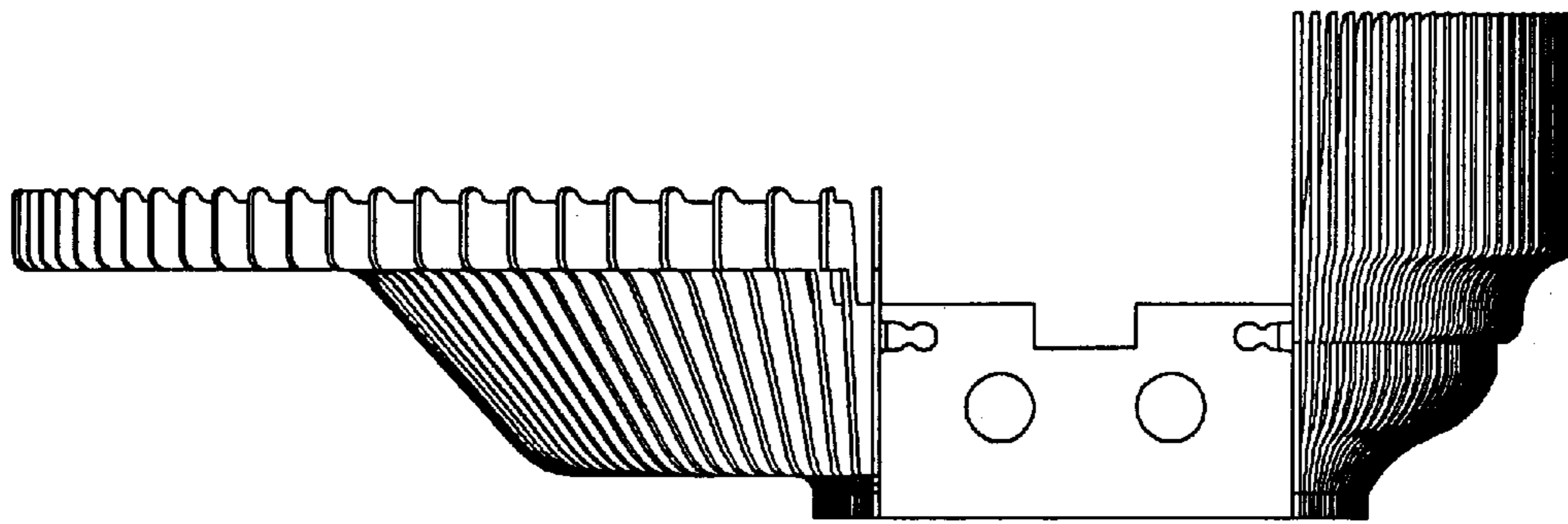


FIG. 5

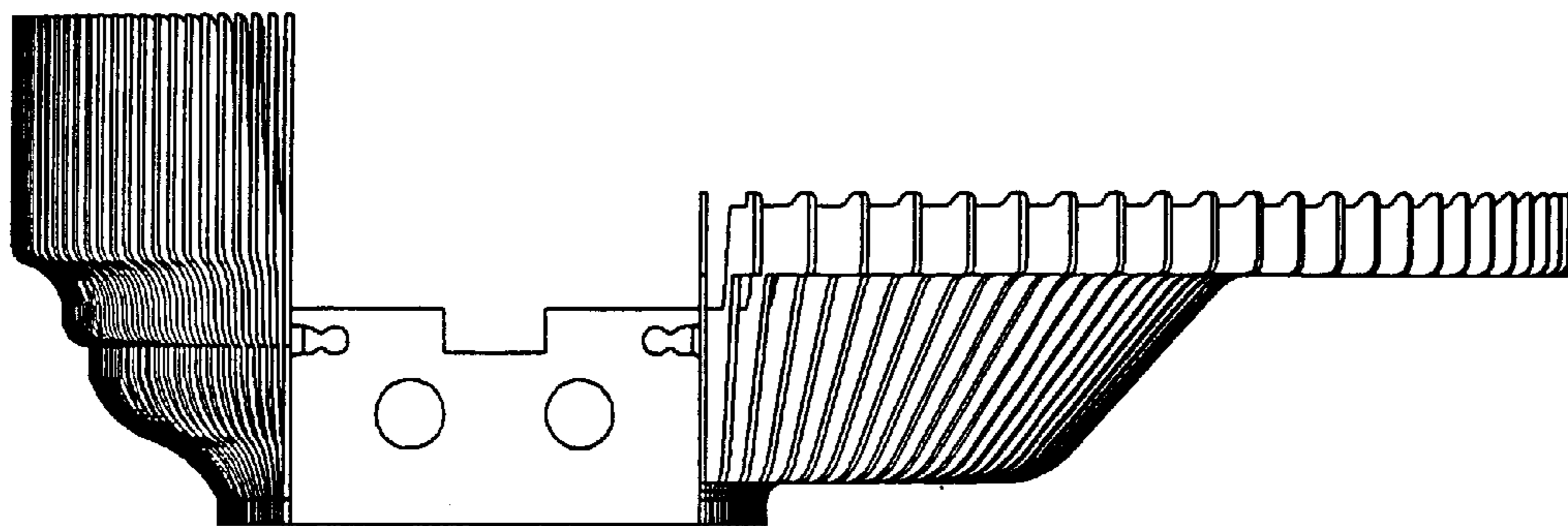


FIG. 6

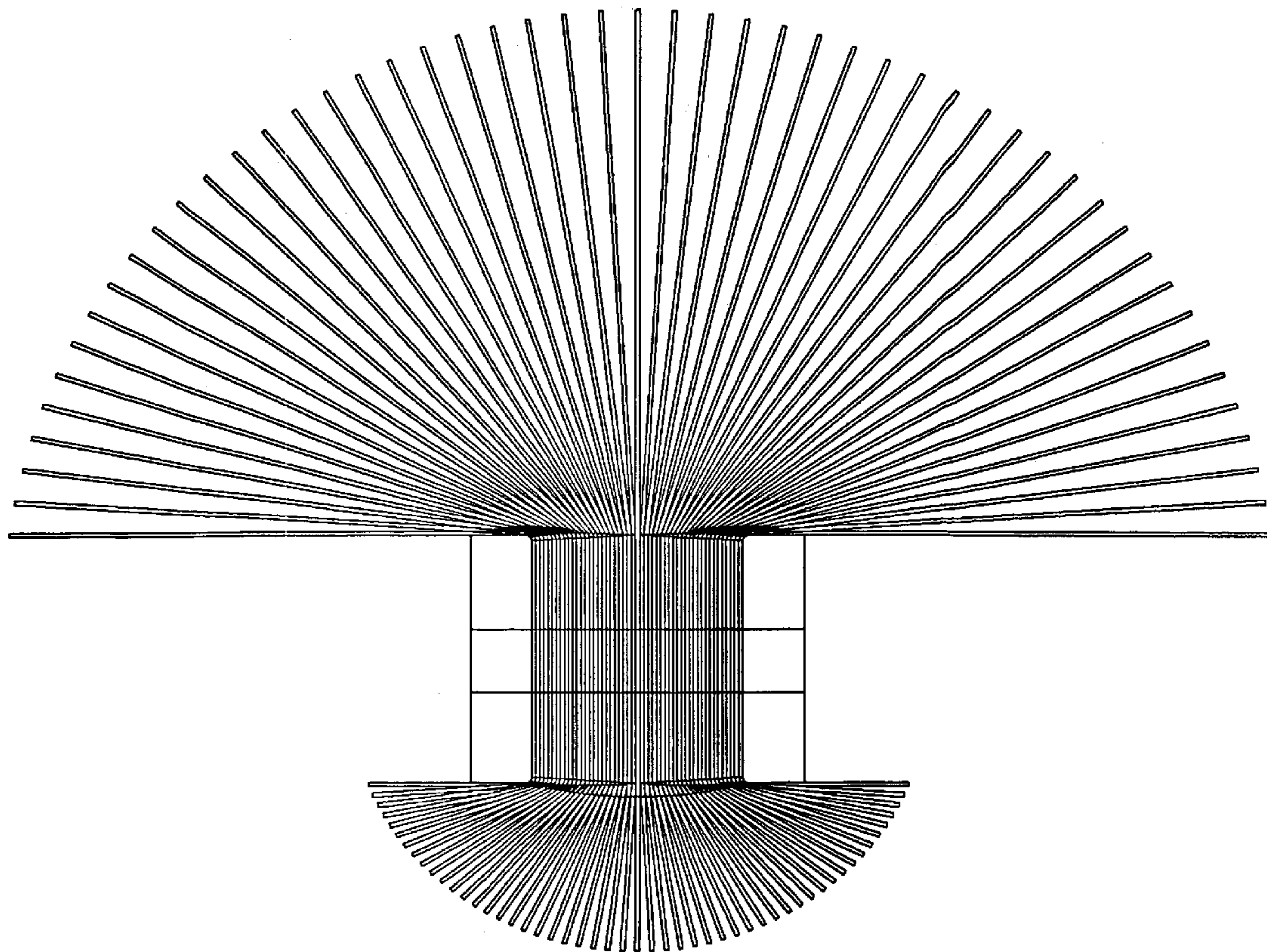


FIG. 7

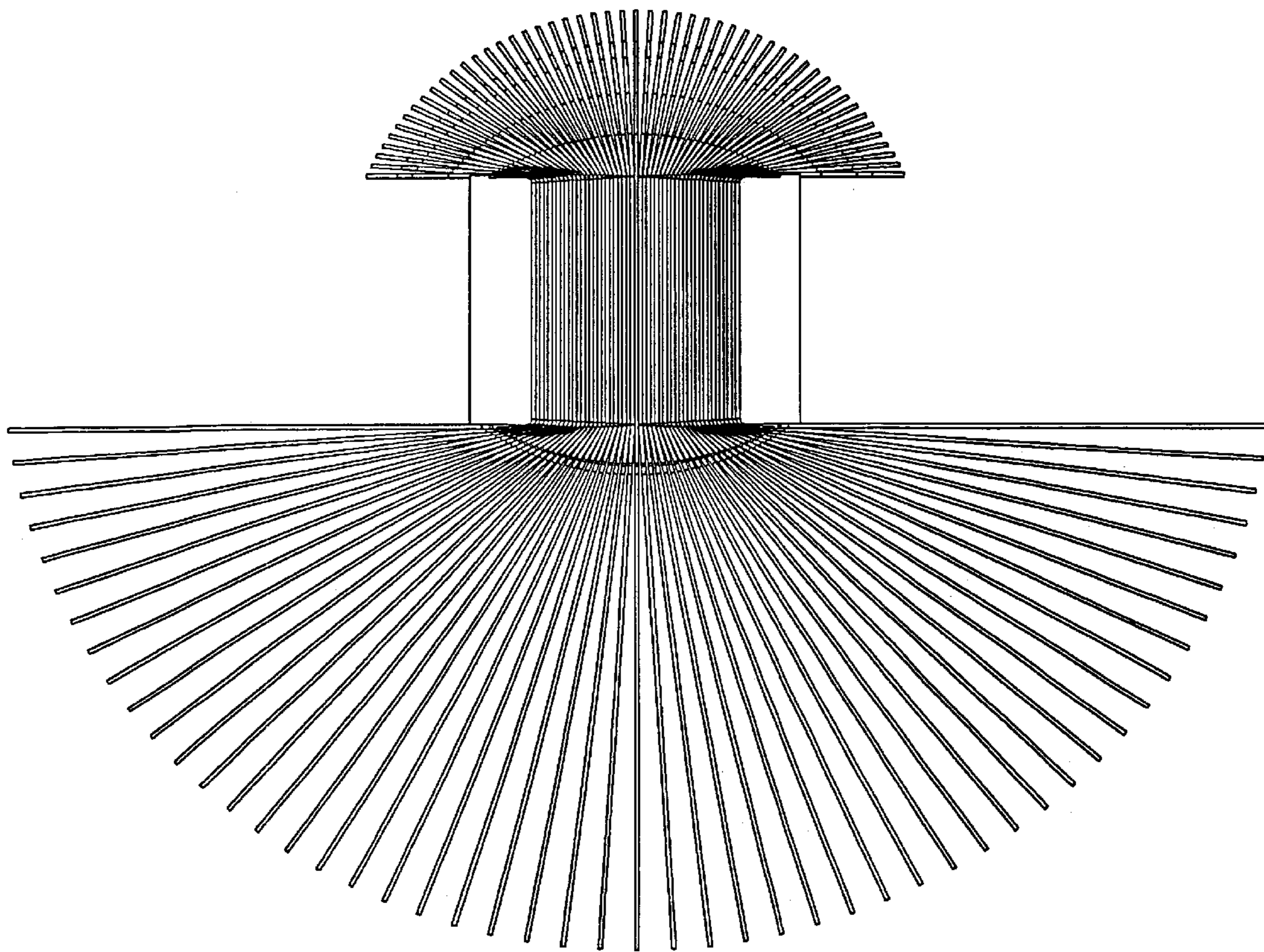


FIG. 8

