



US00D540749S

(12) **United States Design Patent**  
**Kaule**

(10) **Patent No.:** **US D540,749 S**

(45) **Date of Patent:** **\*\* Apr. 17, 2007**

(54) **REMOTE**

(75) **Inventor:** **Brian M. Kaule**, Sheboygan, WI (US)

(73) **Assignee:** **Kohler Co.**, Kohler, WI (US)

(\*\*) **Term:** **14 Years**

(21) **Appl. No.:** **29/251,239**

(22) **Filed:** **Jan. 5, 2006**

(51) **LOC (8) Cl.** ..... **13-03**

(52) **U.S. Cl.** ..... **D13/168**

(58) **Field of Classification Search** ..... 345/156,  
345/168, 169; 348/734; 455/92, 95, 100,  
455/128, 151.1–151.4, 325–355; 463/39;  
700/17, 19, 20, 281; 379/102.01, 102.3; 4/420.2,  
4/420.4; D13/168; D10/104, 106; D14/218,  
D14/247; 340/825.22, 825.24, 825.25, 825.31,  
340/825.36, 825.69, 825.71, 825.72; 341/20,  
341/22, 23, 34, 173, 174, 176

See application file for complete search history.

(56) **References Cited**

**U.S. PATENT DOCUMENTS**

D367,654	S	*	3/1996	Hertzfeld et al.	.....	D14/218
D387,061	S	*	12/1997	Nozoe	.....	D14/218
D402,966	S	*	12/1998	Lim	.....	D13/168
D422,268	S	*	4/2000	Tsui	.....	D13/168
6,327,718	B1	*	12/2001	Ono et al.	.....	4/420.2
D465,206	S	*	11/2002	Hasselmann et al.	.....	D13/168
D491,923	S	*	6/2004	Navarrete	.....	D14/218
6,754,912	B1	*	6/2004	Hayashi et al.	.....	4/420.2
2002/0071535	A1	*	6/2002	Da Silva	.....	379/102.01
2003/0140407	A1	*	7/2003	Matsumoto et al.	.....	4/420.4
2004/0040086	A1	*	3/2004	Eisenberg et al.	.....	5/81.1 R

**OTHER PUBLICATIONS**

Inax Company, remote for a bidet. <http://www.thefactory-outlet.com/bidets/bidet6a.asp>. Printed Nov. 21, 2005.

Inax Company, remote for a bidet. <http://www.thefactory-outlet.com/bidets/bidet6.asp>. Printed Nov. 21, 2005.

\* cited by examiner

*Primary Examiner*—Selina Sikder

(74) *Attorney, Agent, or Firm*—Quarles & Brady LLP

(57) **CLAIM**

The ornamental design for a remote, as shown and described.

**DESCRIPTION**

In a preferred embodiment, the nature of this product is a remote control for use with a plumbing fixture, such as for controlling the operation of a bidet.

FIG. 1 is a left, top, front perspective view of a remote embodying my new design;

FIG. 2 is a front elevational view thereof;

FIG. 3 is a top plan view thereof, the bottom plan view thereof being a mirror image of the top view shown;

FIG. 4 is a left side elevational view thereof;

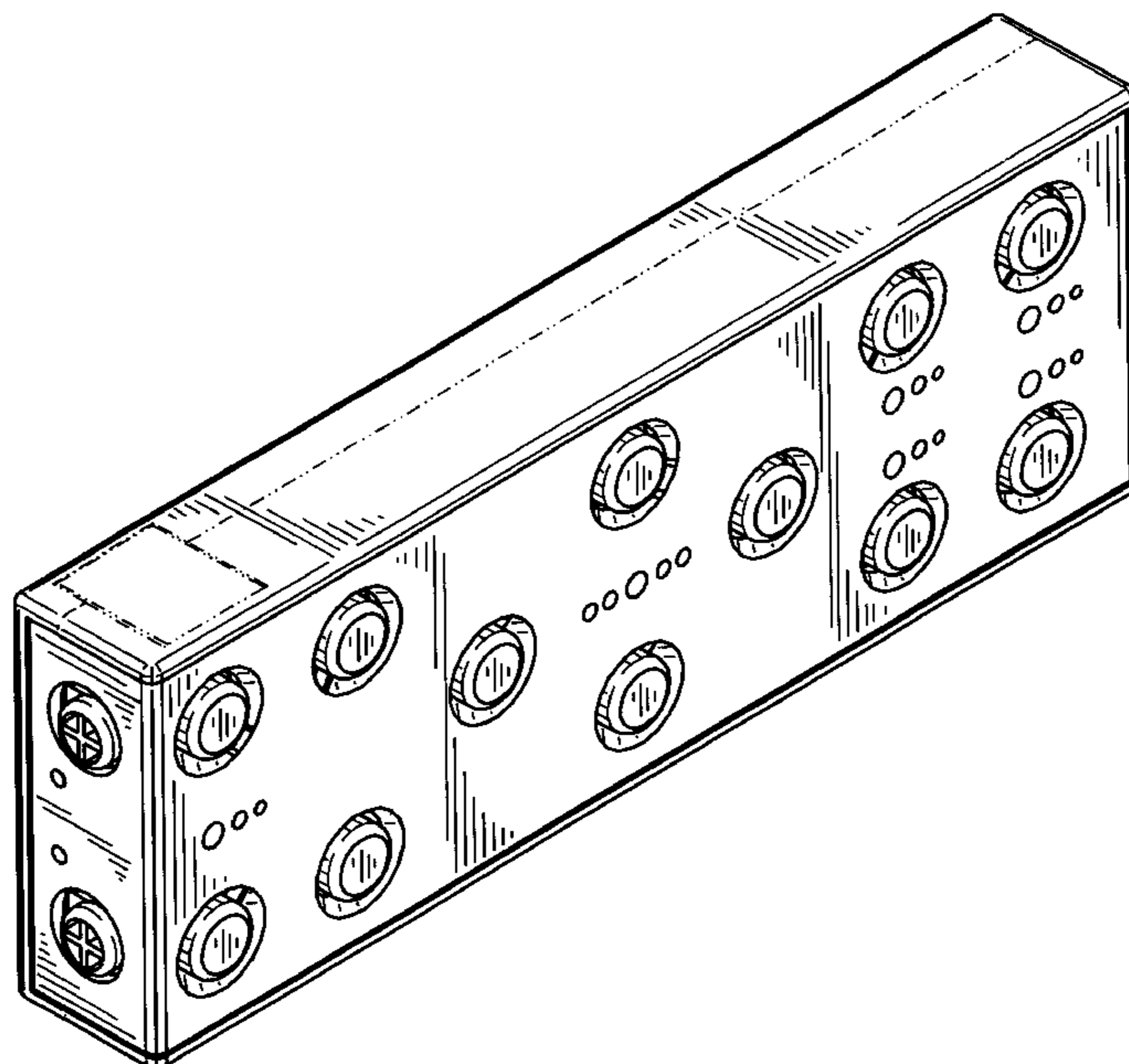
FIG. 5 is a right side elevational view thereof;

FIG. 6 is a rear elevational view thereof; and,

FIG. 7 is a right, front perspective view of the remote control of FIG. 1 shown disposed in a cradle environment.

The broken line representations of seams and other structure in FIGS. 1 and 3–6 and of the cradle environment in FIG. 7, are for the purpose of illustration only, and form no part of the claimed design.

**1 Claim, 4 Drawing Sheets**



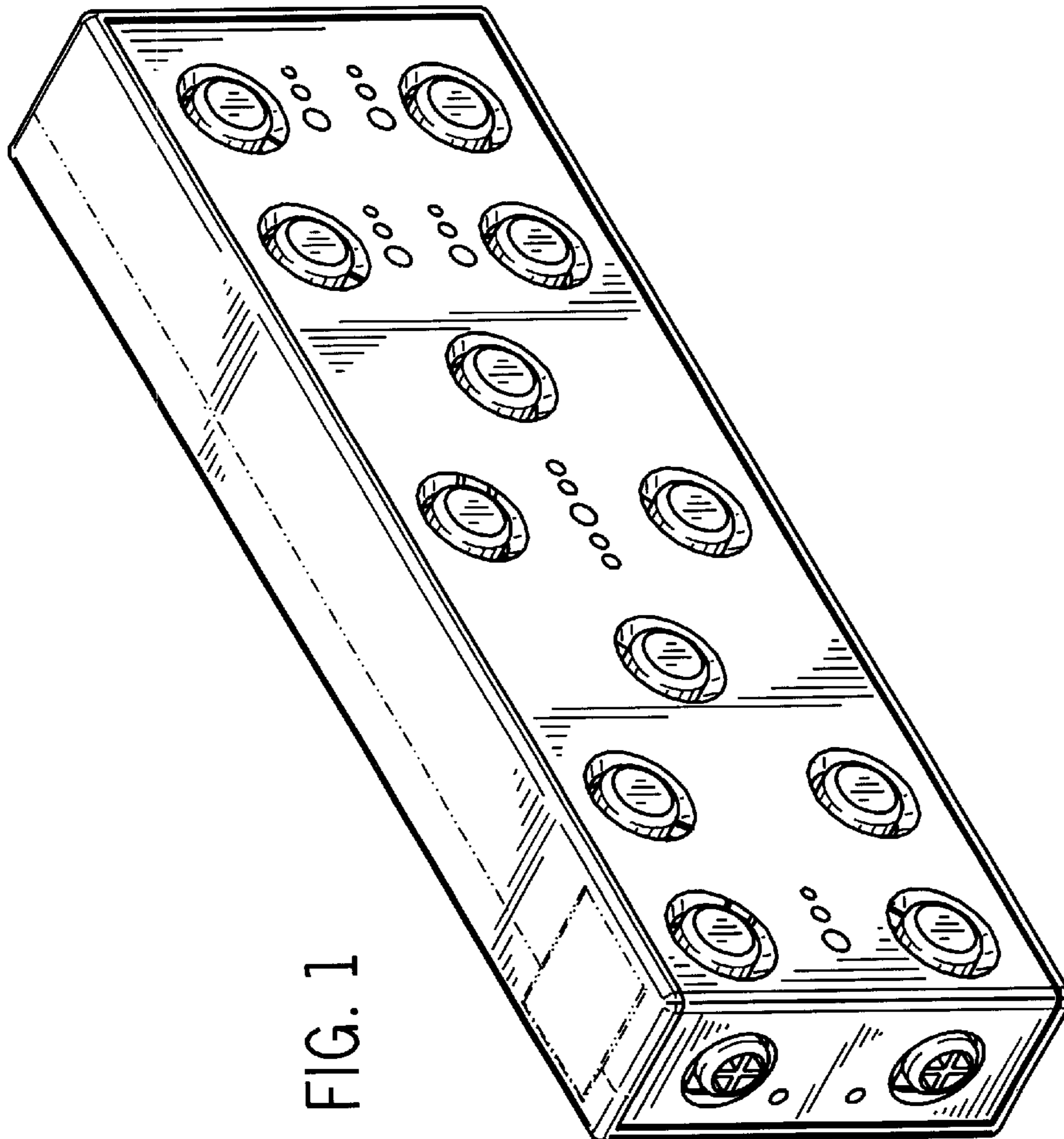


FIG. 4

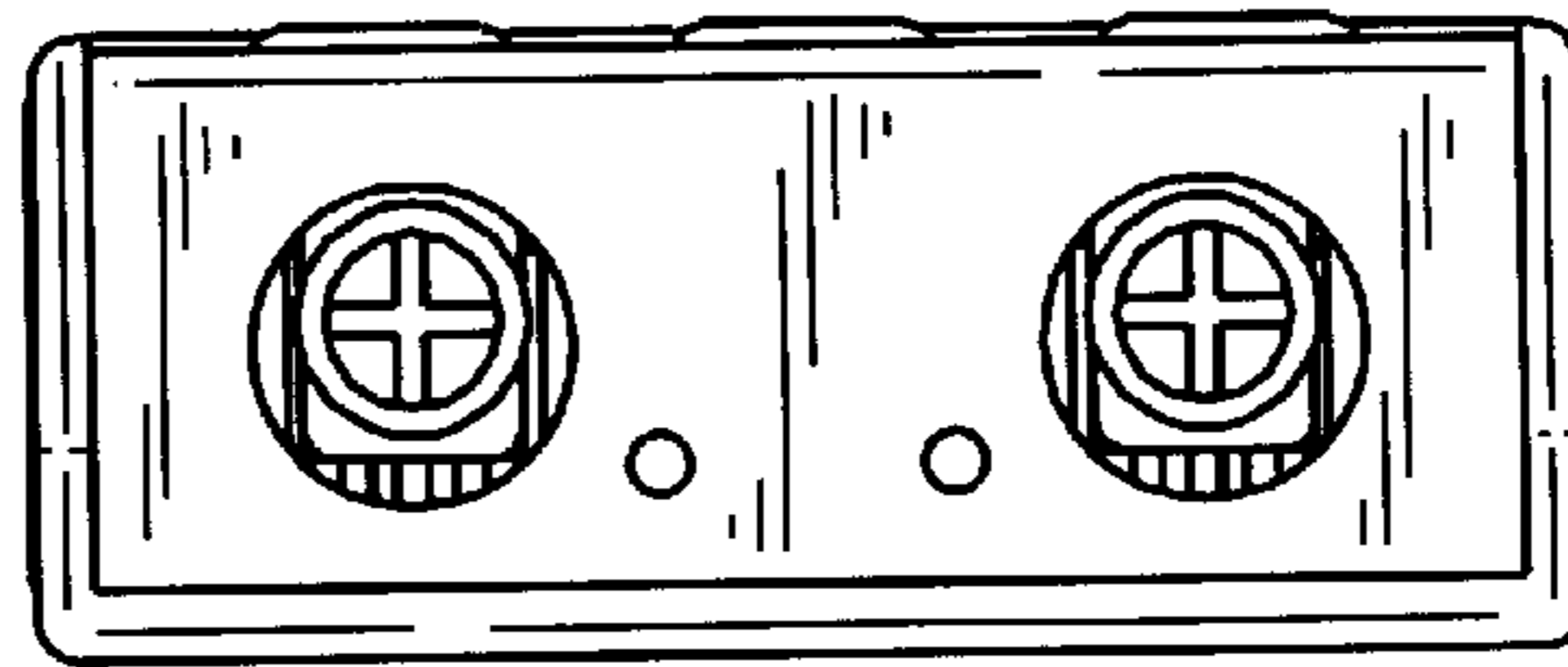


FIG. 5

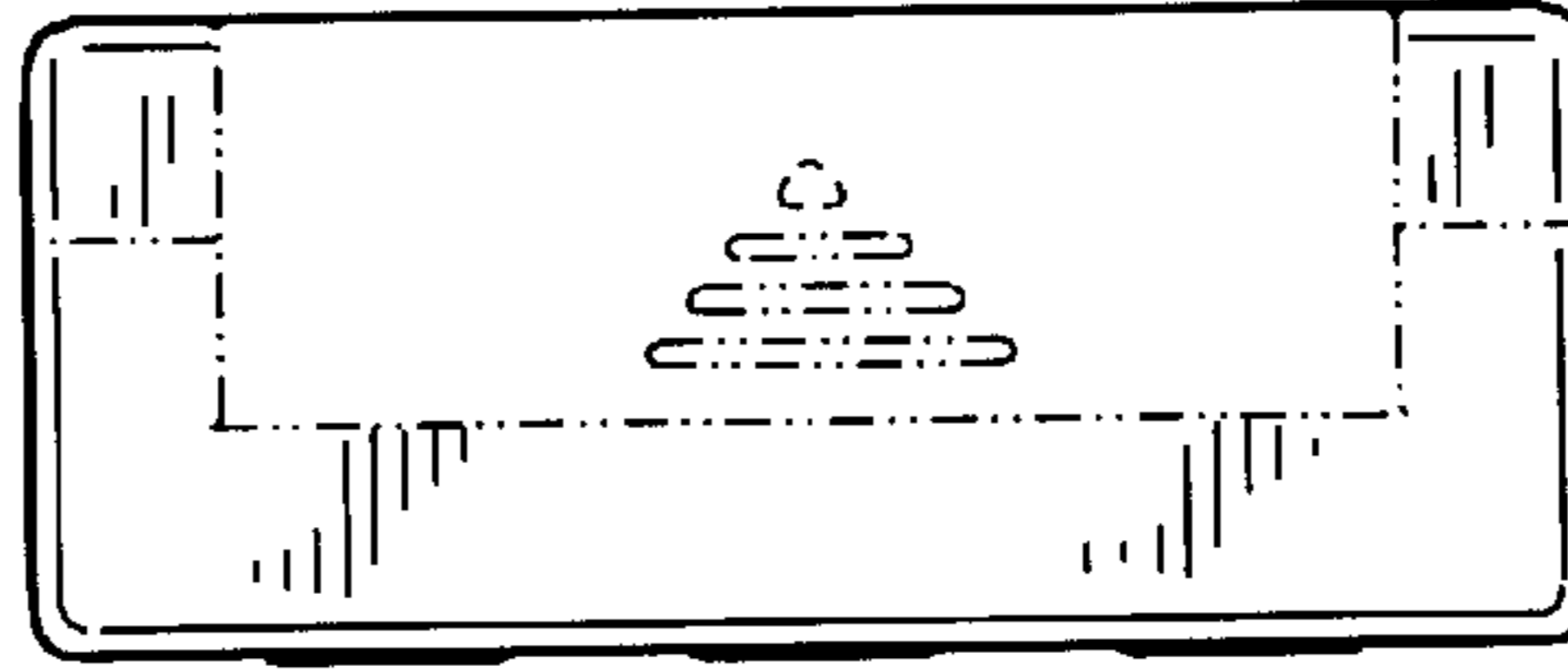


FIG. 2

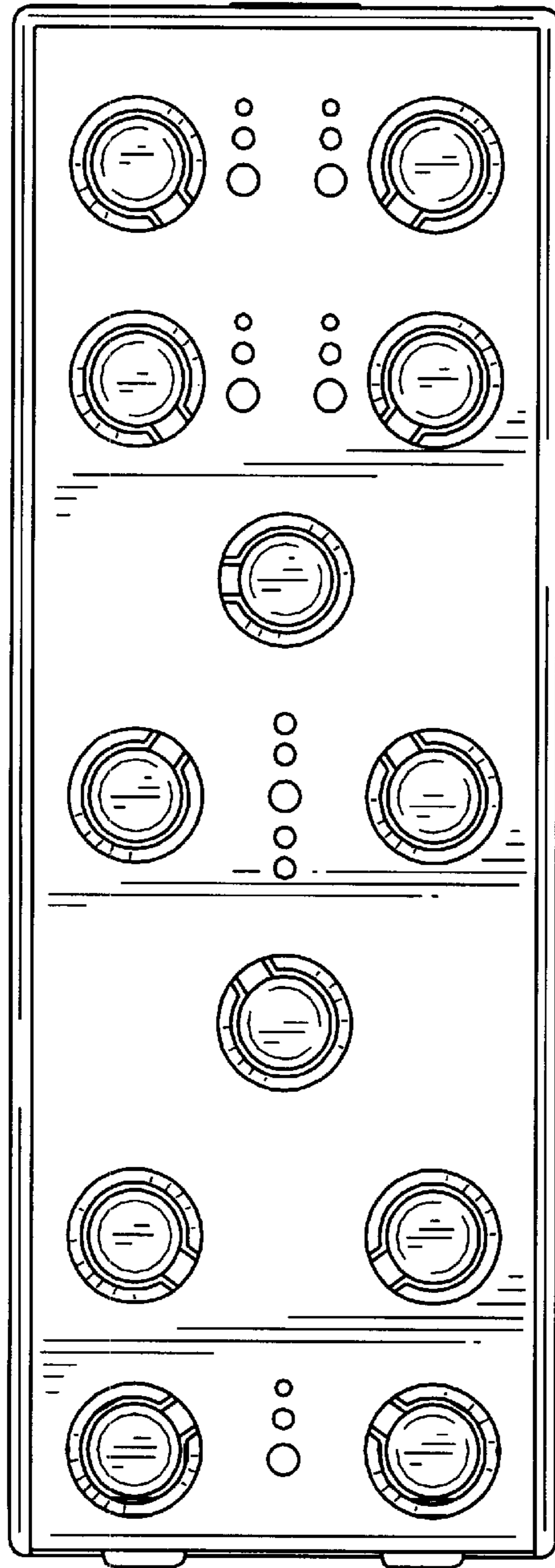
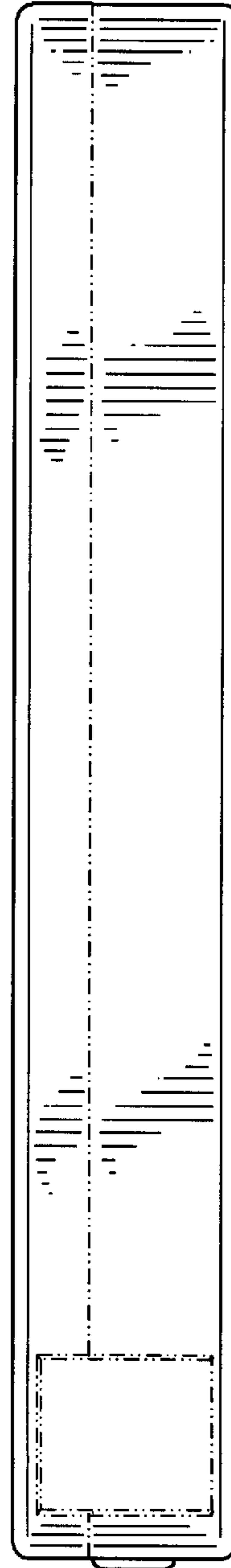


FIG. 3



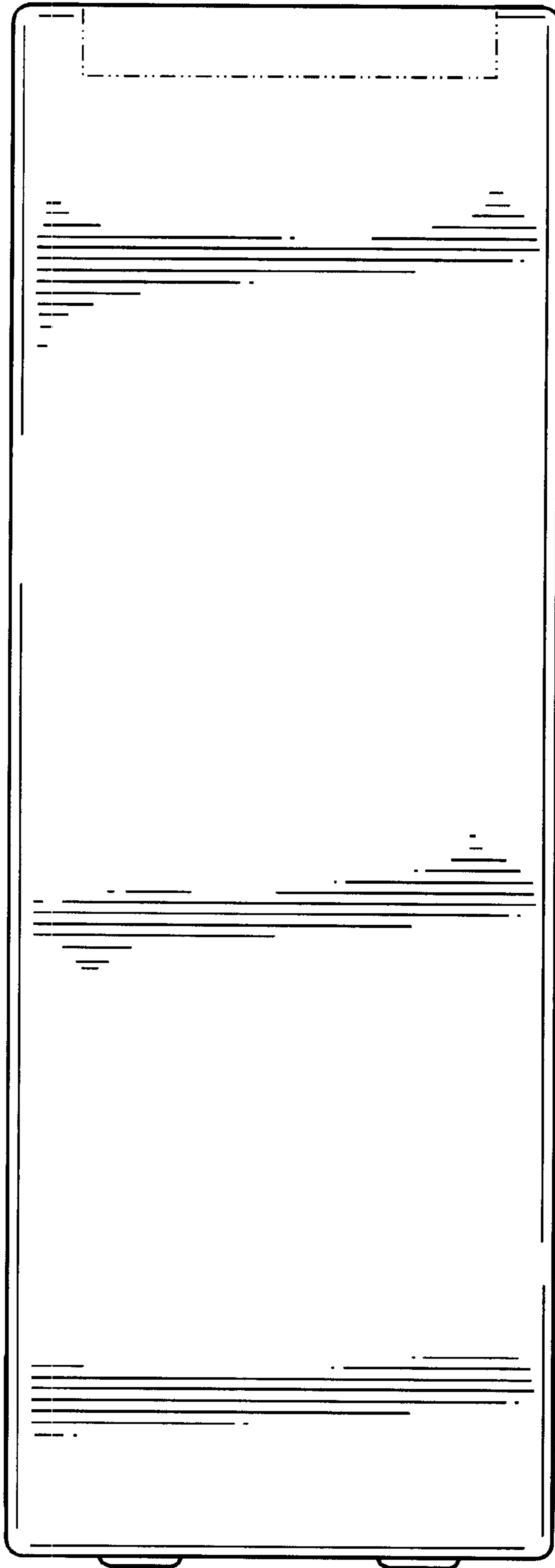


FIG. 6



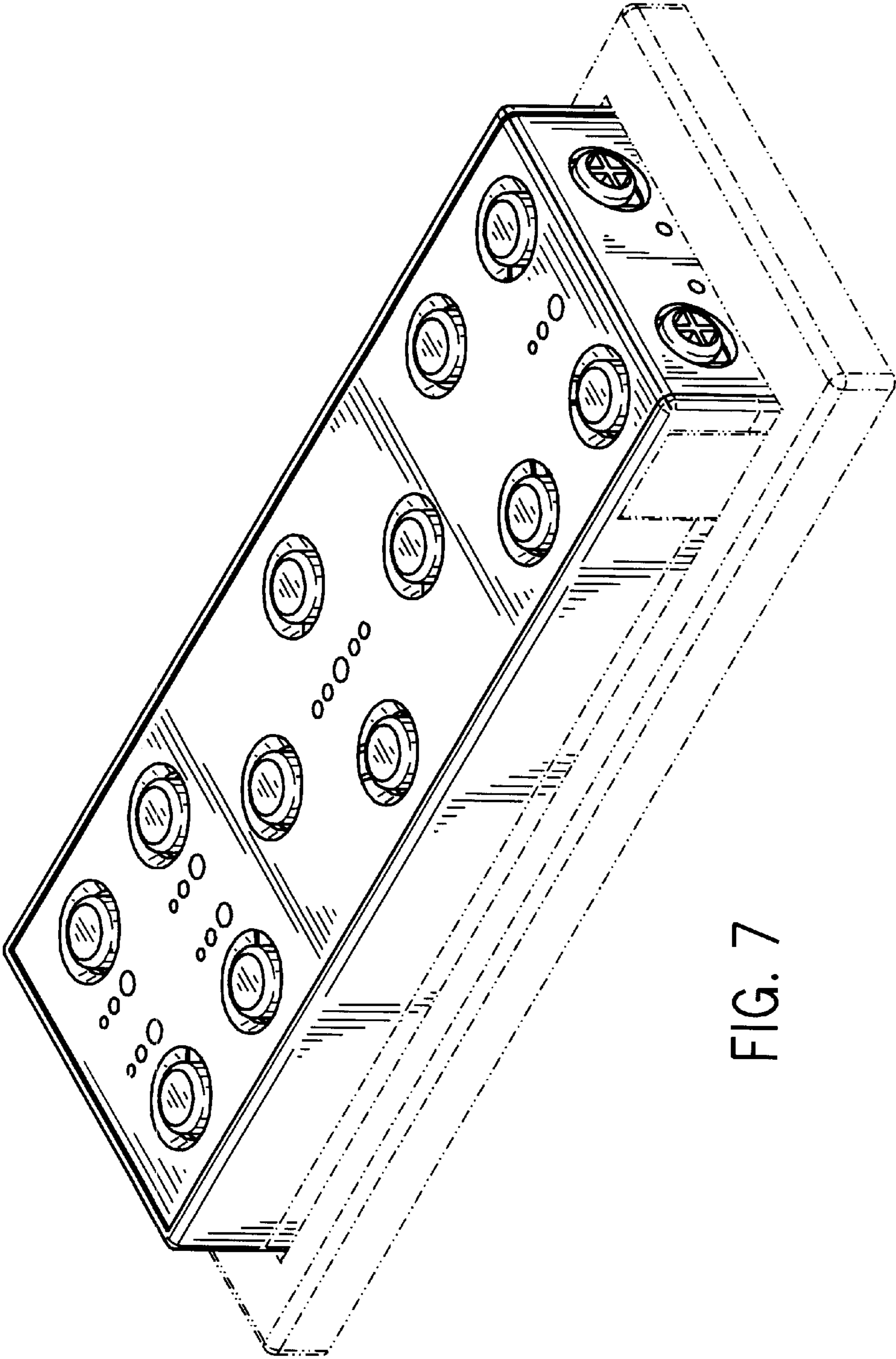


FIG. 7