



US00D540744S

(12) **United States Design Patent**
Luo et al.

(10) **Patent No.:** **US D540,744 S**

(45) **Date of Patent:** **** Apr. 17, 2007**

(54) **ELECTRICAL CONNECTOR HOUSING**

(75) Inventors: **Jizu Luo**, Dong-Guan (CN); **Hualian Li**, Dong-Guan (CN)

(73) Assignee: **Cheng Uei Precision Industry Co., Ltd.**, Taipei (TW)

(**) Term: **14 Years**

(21) Appl. No.: **29/203,858**

(22) Filed: **Apr. 21, 2004**

(51) **LOC (8) Cl.** **13-03**

(52) **U.S. Cl.** **D13/147**

(58) **Field of Classification Search** D13/123,
D13/133, 146-147, 154, 184, 199; 439/291,
439/540.1, 569, 687, 696, 701, 731, 709-710
See application file for complete search history.

(56) **References Cited**

U.S. PATENT DOCUMENTS

D331,224 S * 11/1992 Robertson D13/147

6,887,098 B1 * 5/2005 Luo et al. 439/540.1
D530,679 S * 10/2006 Li et al. D13/149
2005/0250389 A1 * 11/2005 Johansen et al. 439/709

* cited by examiner

Primary Examiner—Daniel Bui

(74) *Attorney, Agent, or Firm*—Rosenberg, Klein & Lee

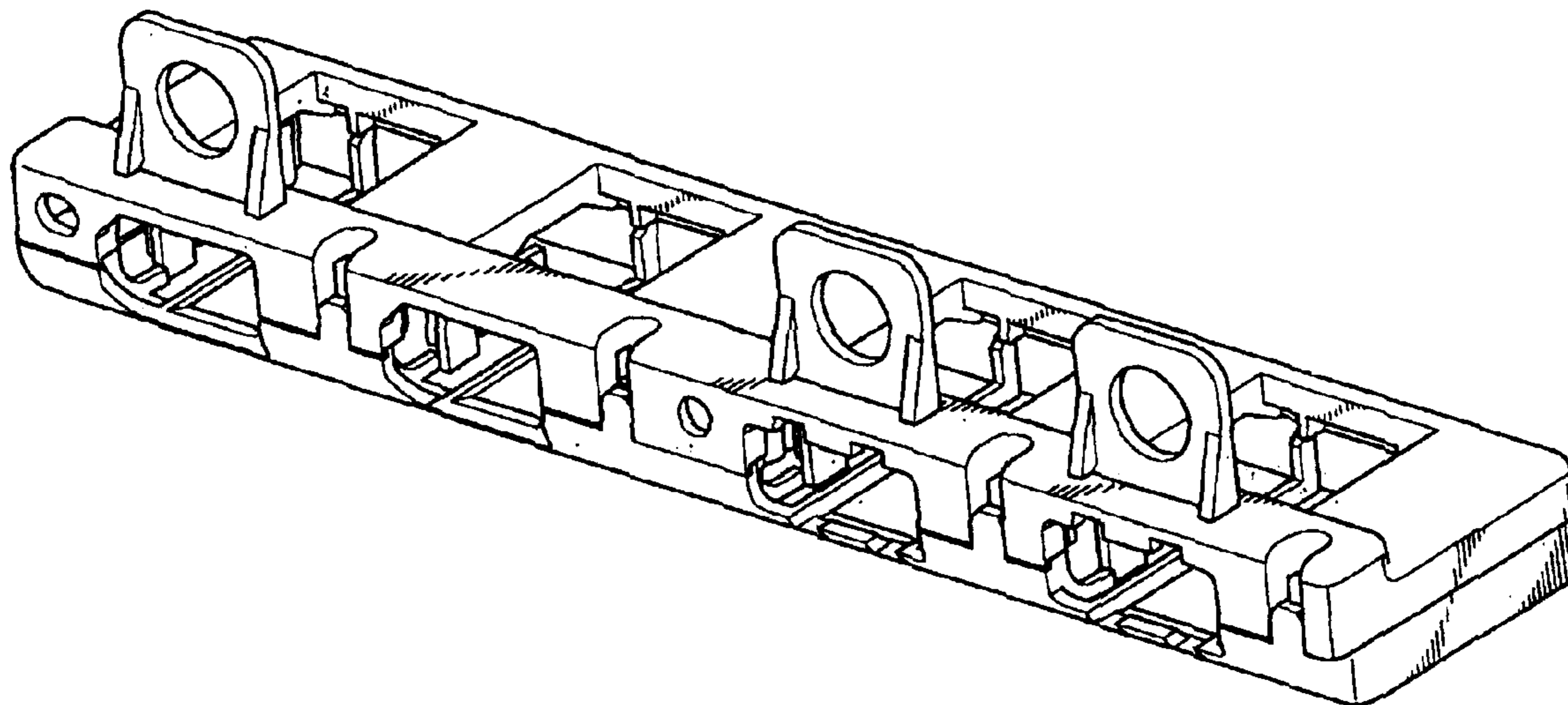
(57) **CLAIM**

The ornamental design for an electrical connector housing, as shown and described.

DESCRIPTION

FIG. 1 is a perspective view of an electrical connector housing showing our new design; FIG. 2 is a front elevational view thereof; FIG. 3 is a rear elevational view thereof; FIG. 4 is a left side elevational view thereof; FIG. 5 is a right side elevational view thereof; FIG. 6 is a top plan view thereof; and, FIG. 7 is a bottom plan view thereof.

1 Claim, 4 Drawing Sheets



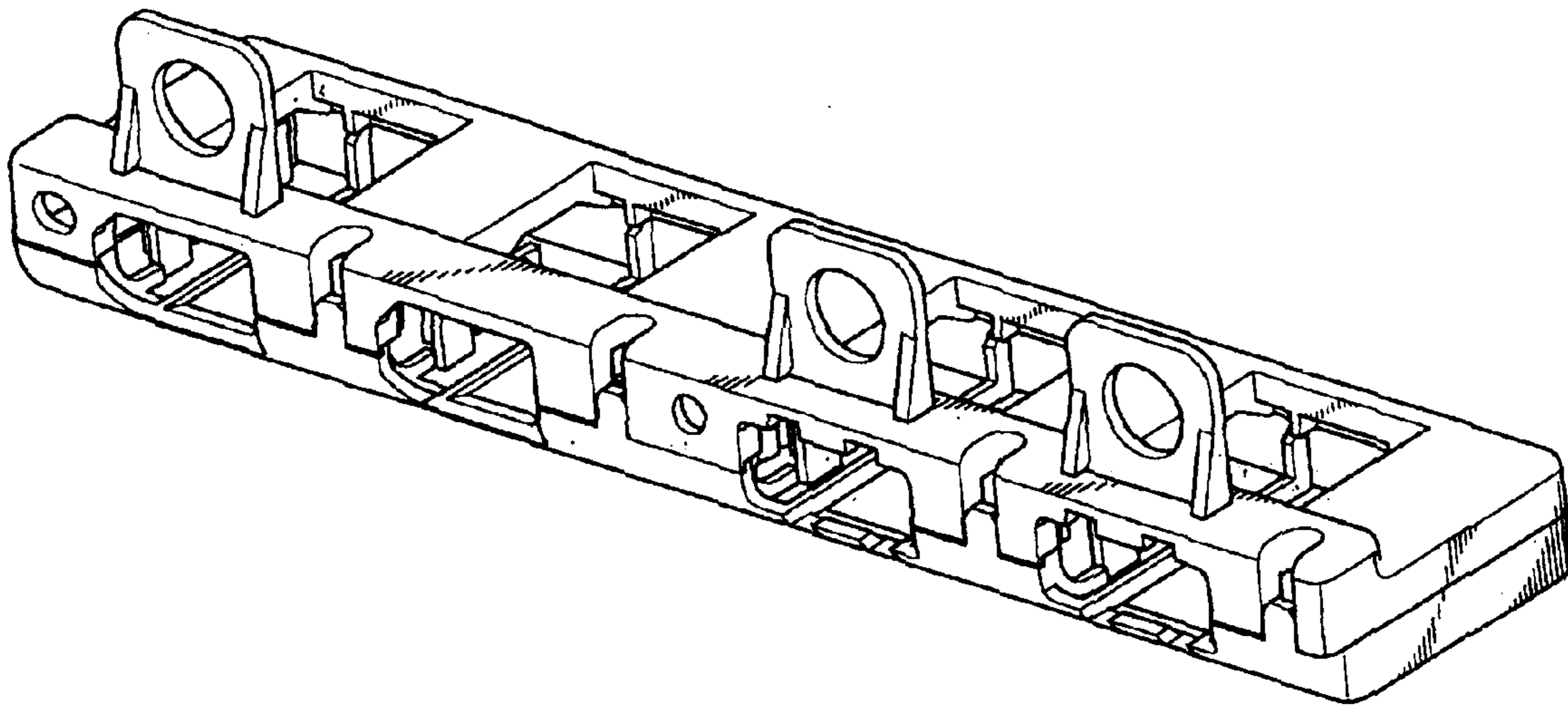


FIG.1

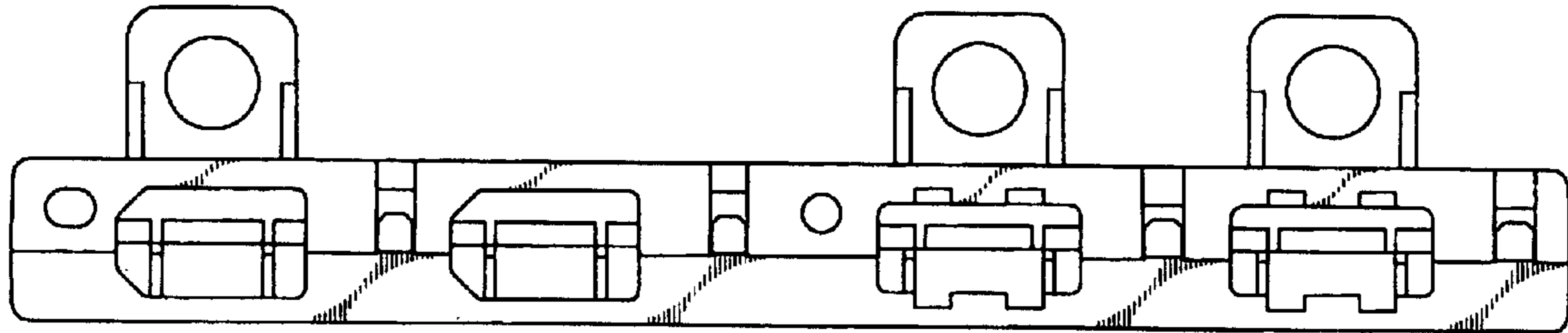


FIG. 2

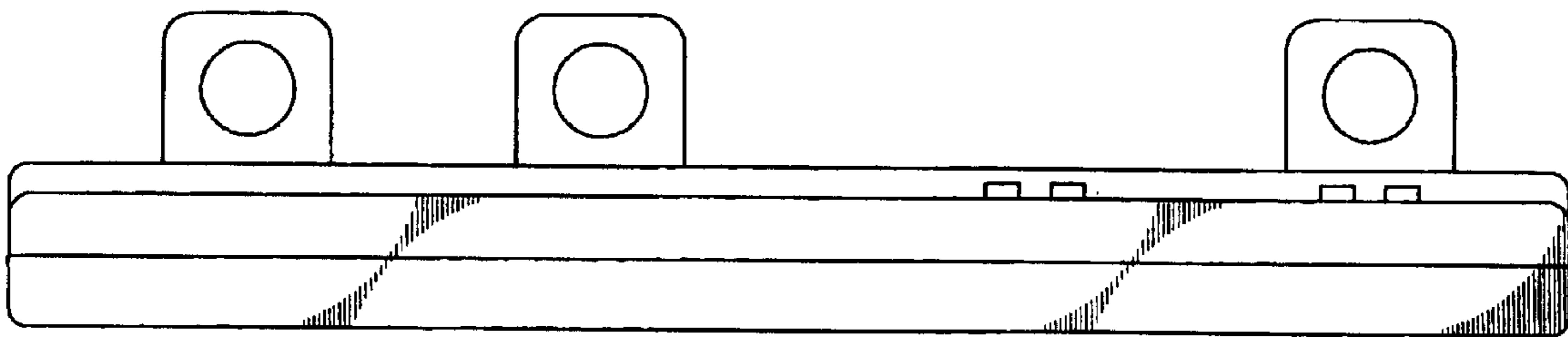


FIG. 3

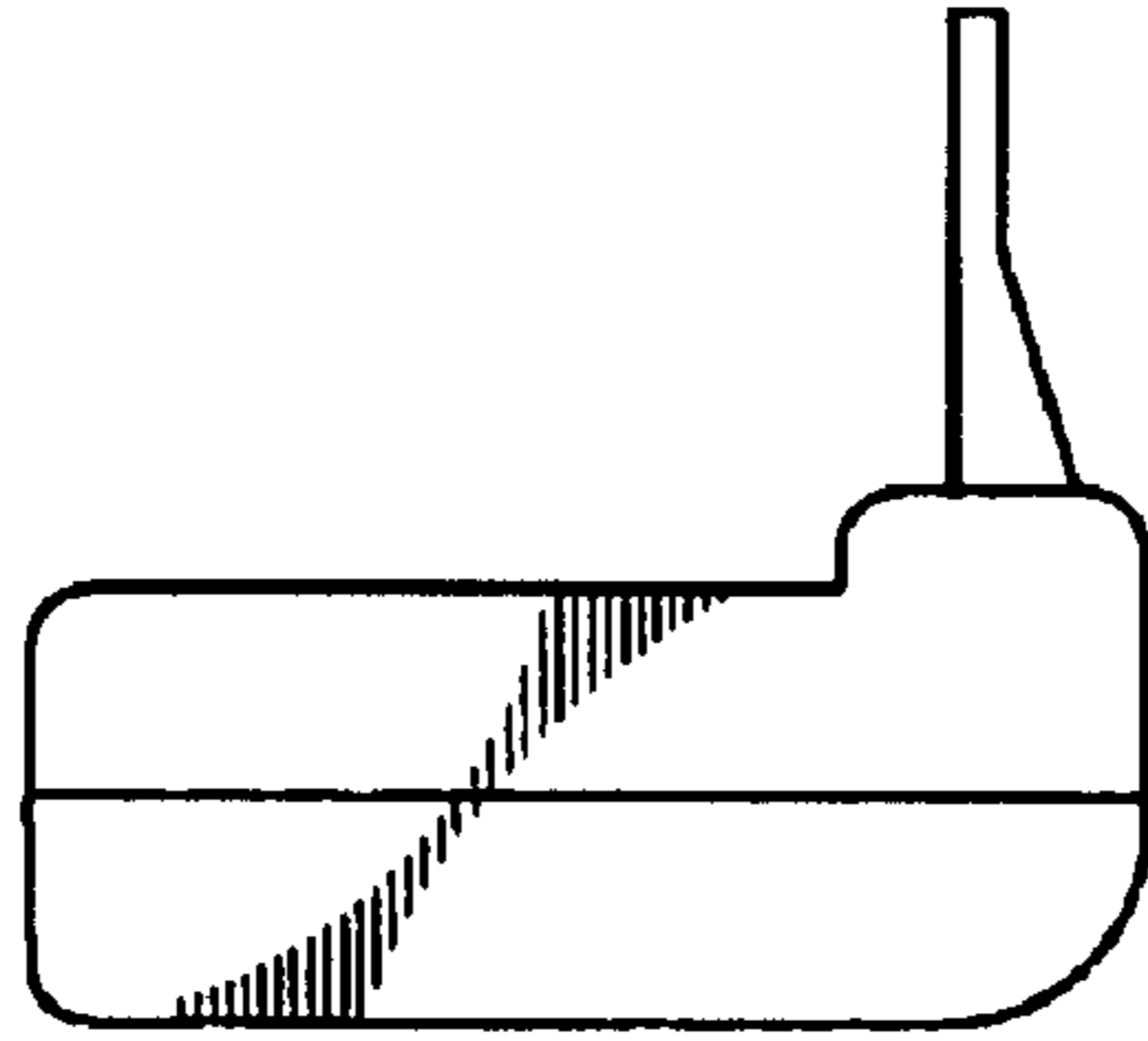


FIG. 4

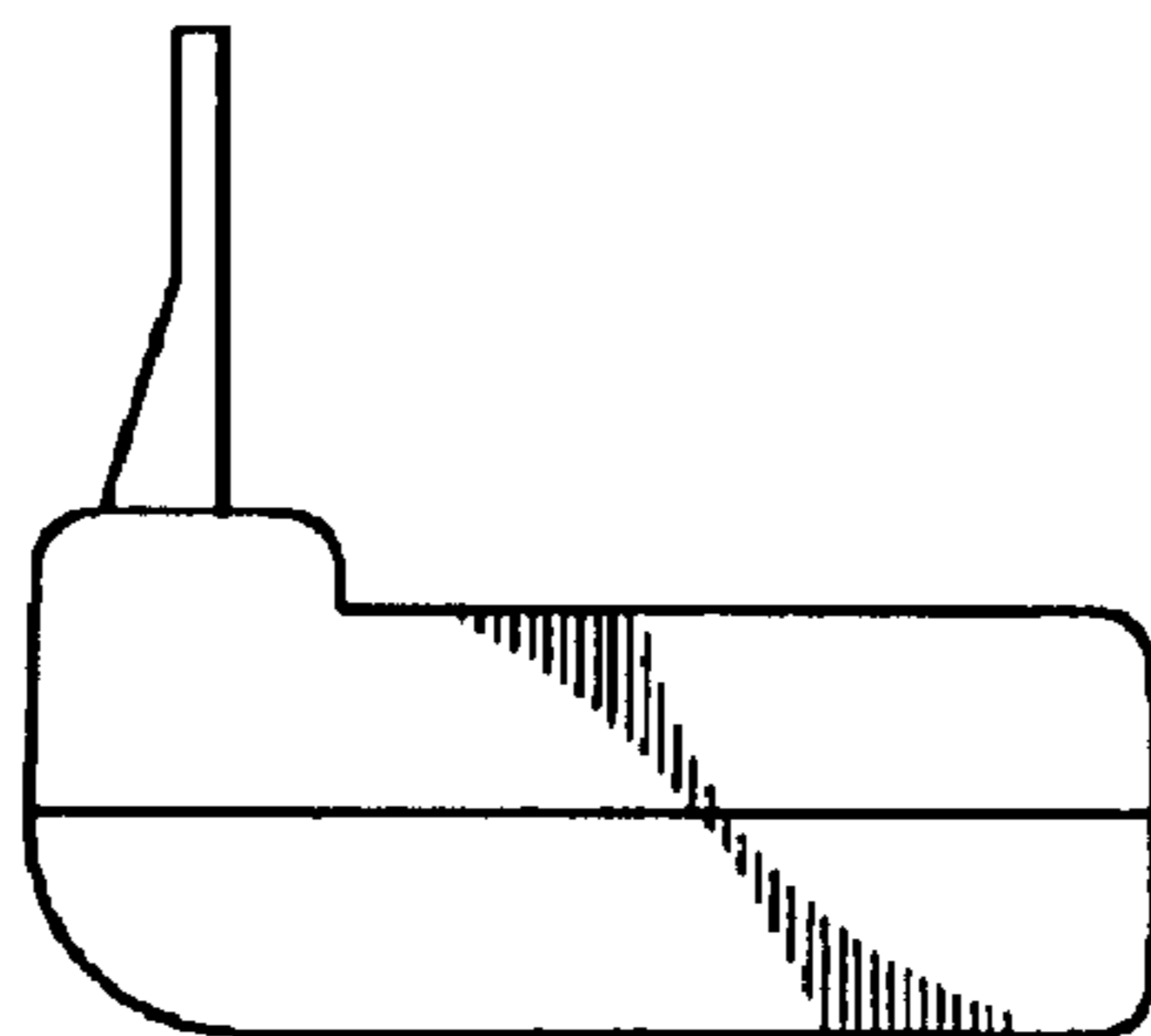


FIG. 5

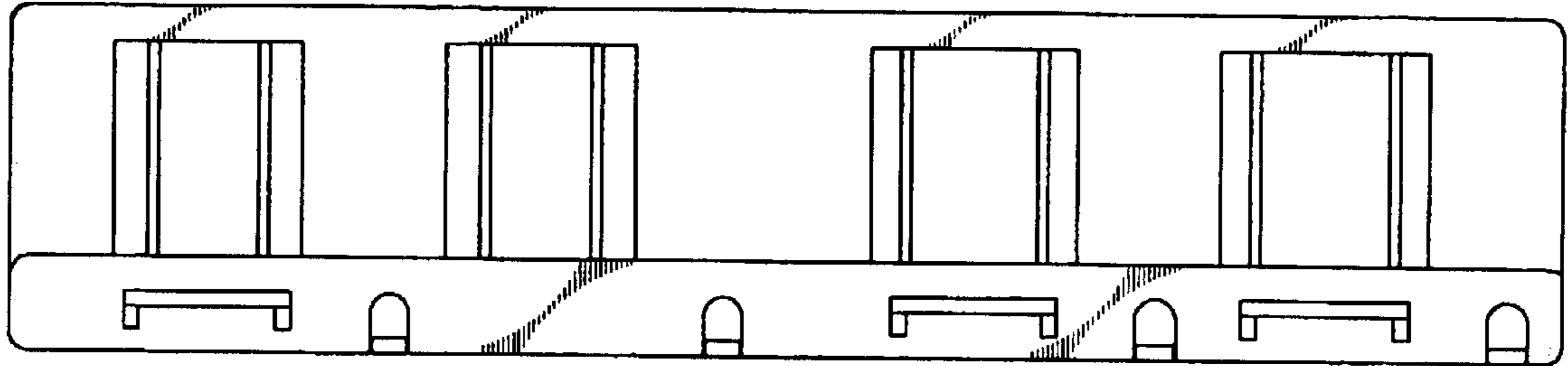


FIG.6

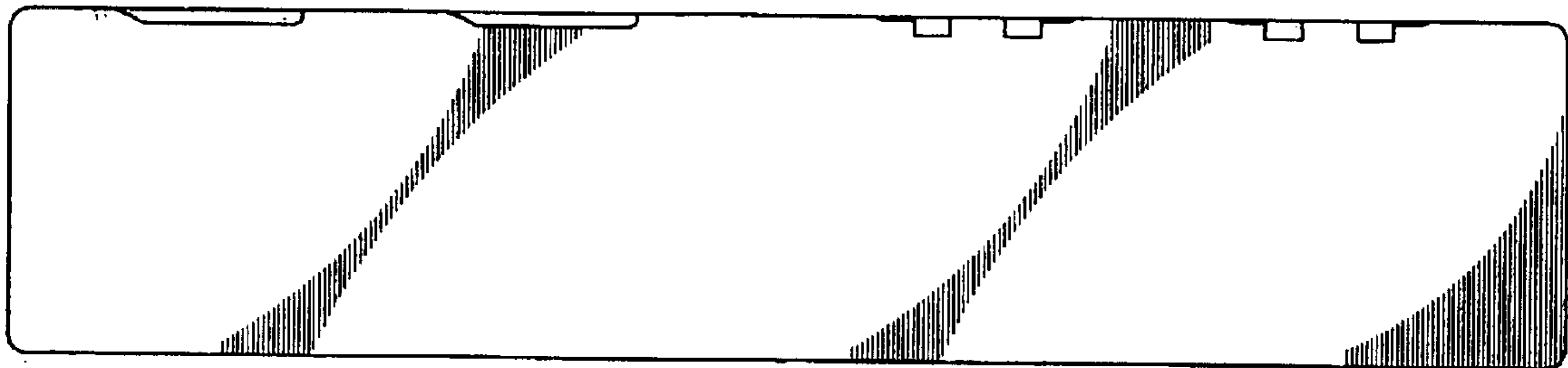


FIG.7