

US00D540743S

(12) **United States Design Patent**  
**Cerny et al.**

(10) **Patent No.:** **US D540,743 S**

(45) **Date of Patent:** **\*\* Apr. 17, 2007**

(54) **ELECTRICAL CHOKE**

(75) Inventors: **Andreas Cerny**, Siegendorf (AT);  
**Rudolf Svatunek**, Wein (AT)

(73) Assignee: **Transformatorengesellschaft M.B. H.**,  
Horstein (AT)

(\*\*) Term: **14 Years**

(21) Appl. No.: **29/238,347**

(22) Filed: **Sep. 14, 2005**

(51) **LOC (8) Cl.** ..... **13-02**

(52) **U.S. Cl.** ..... **D13/110**

(58) **Field of Classification Search** ..... D13/110,  
D13/101, 184, 199; 330/171; 336/65, 83,  
336/92, 98, 178, 210; 361/35, 836  
See application file for complete search history.

(56) **References Cited**

**U.S. PATENT DOCUMENTS**

- 1,632,101 A \* 6/1927 Thordarson ..... 336/84 R
- 2,741,528 A \* 4/1956 Clark et al. .... 336/98
- 4,518,942 A \* 5/1985 Geschka ..... 336/178
- 4,899,122 A \* 2/1990 Sommer ..... 336/65

- 5,296,830 A \* 3/1994 Tamada et al. .... 336/192
- 5,568,111 A \* 10/1996 Metsler ..... 336/65
- 5,831,505 A \* 11/1998 Yamaguchi et al. .... 336/83
- 6,480,088 B2 \* 11/2002 Okamoto ..... 336/229
- D488,126 S \* 4/2004 Baswick et al. .... D13/110

\* cited by examiner

*Primary Examiner*—Prabhakar Deshmukh

*Assistant Examiner*—Derrick Holland

(74) *Attorney, Agent, or Firm*—Welsh & Katz, Ltd.

(57) **CLAIM**

The ornamental design for an electrical choke, as shown and described.

**DESCRIPTION**

FIG. 1 is a perspective view of an electrical choke showing our new design;

FIG. 2 is a left side elevational view thereof;

FIG. 3 is a right side elevational view thereof;

FIG. 4 is a top plan view thereof;

FIG. 5 is a bottom plan view thereof;

FIG. 6 is a front view thereof; and,

FIG. 7 is a rear view thereof.

**1 Claim, 1 Drawing Sheet**

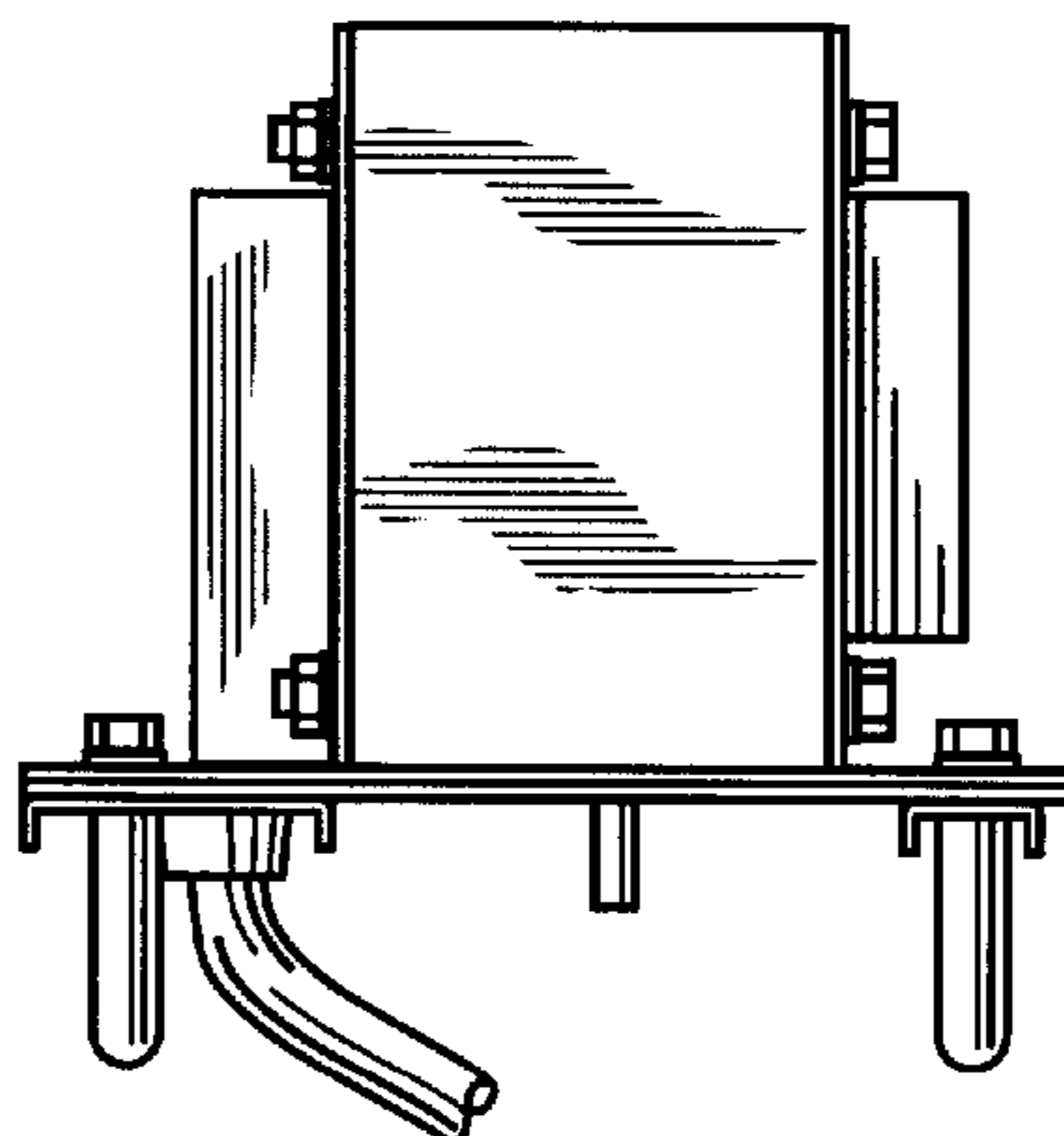
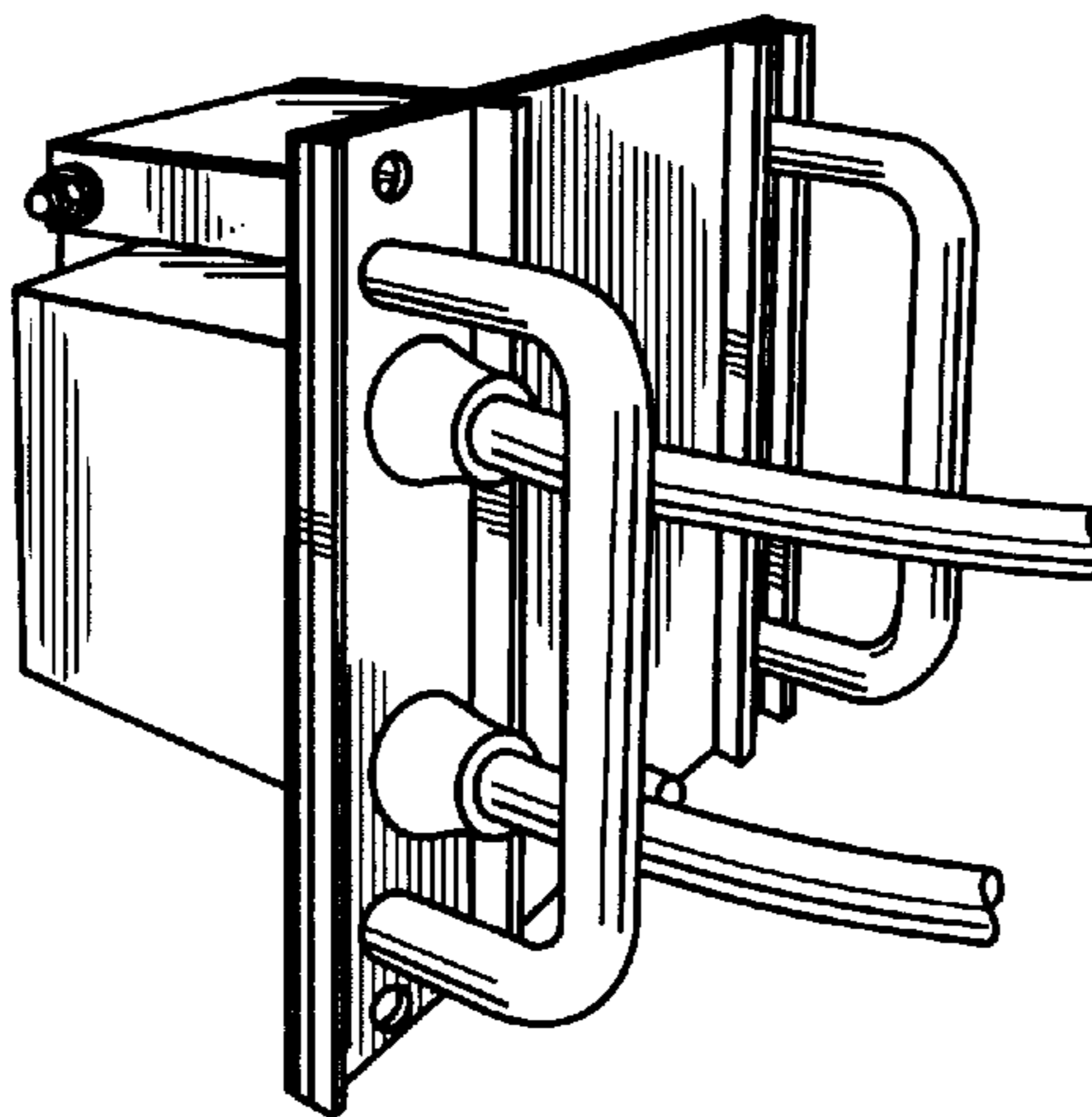


Fig. 1

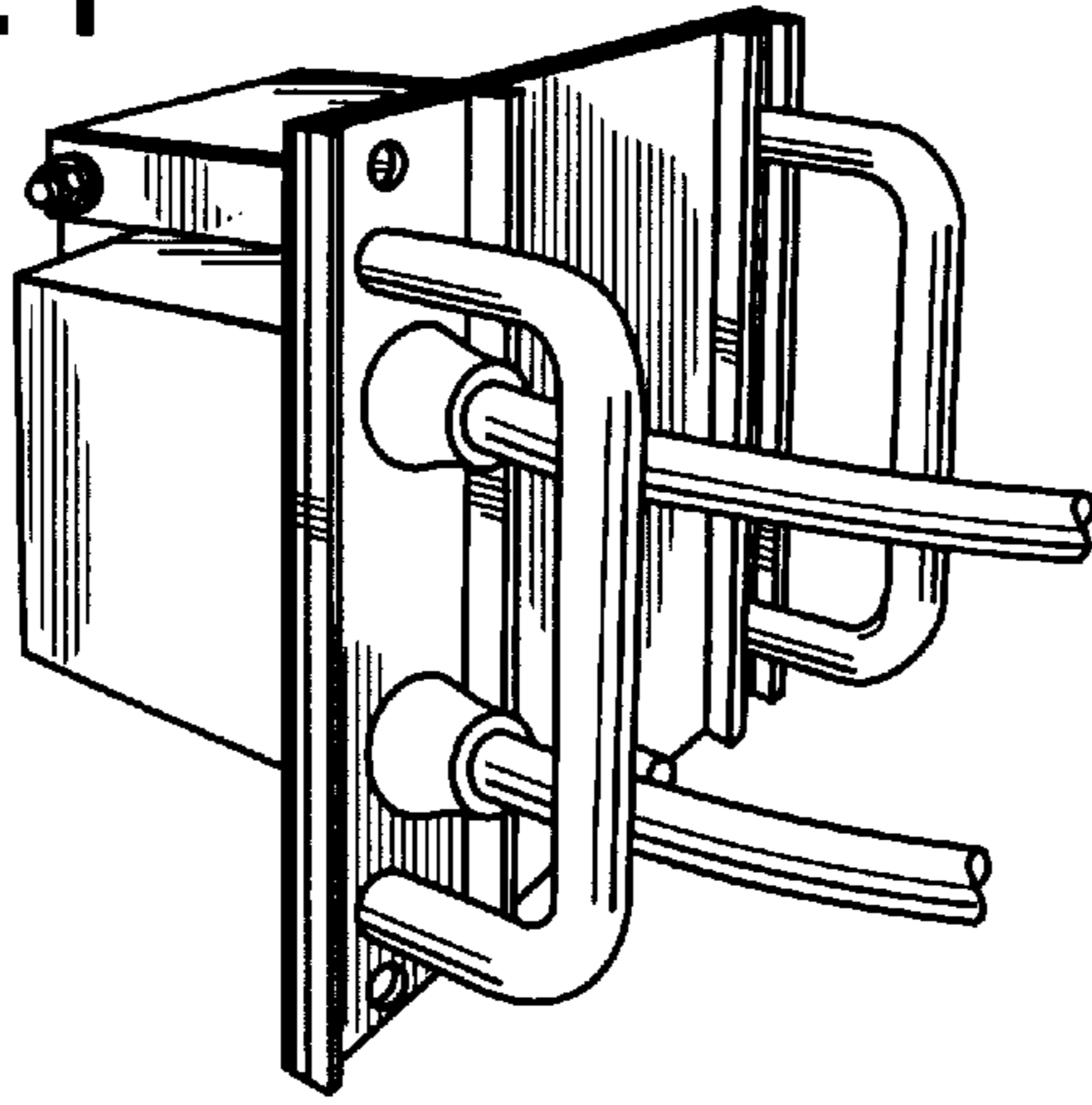


Fig. 4

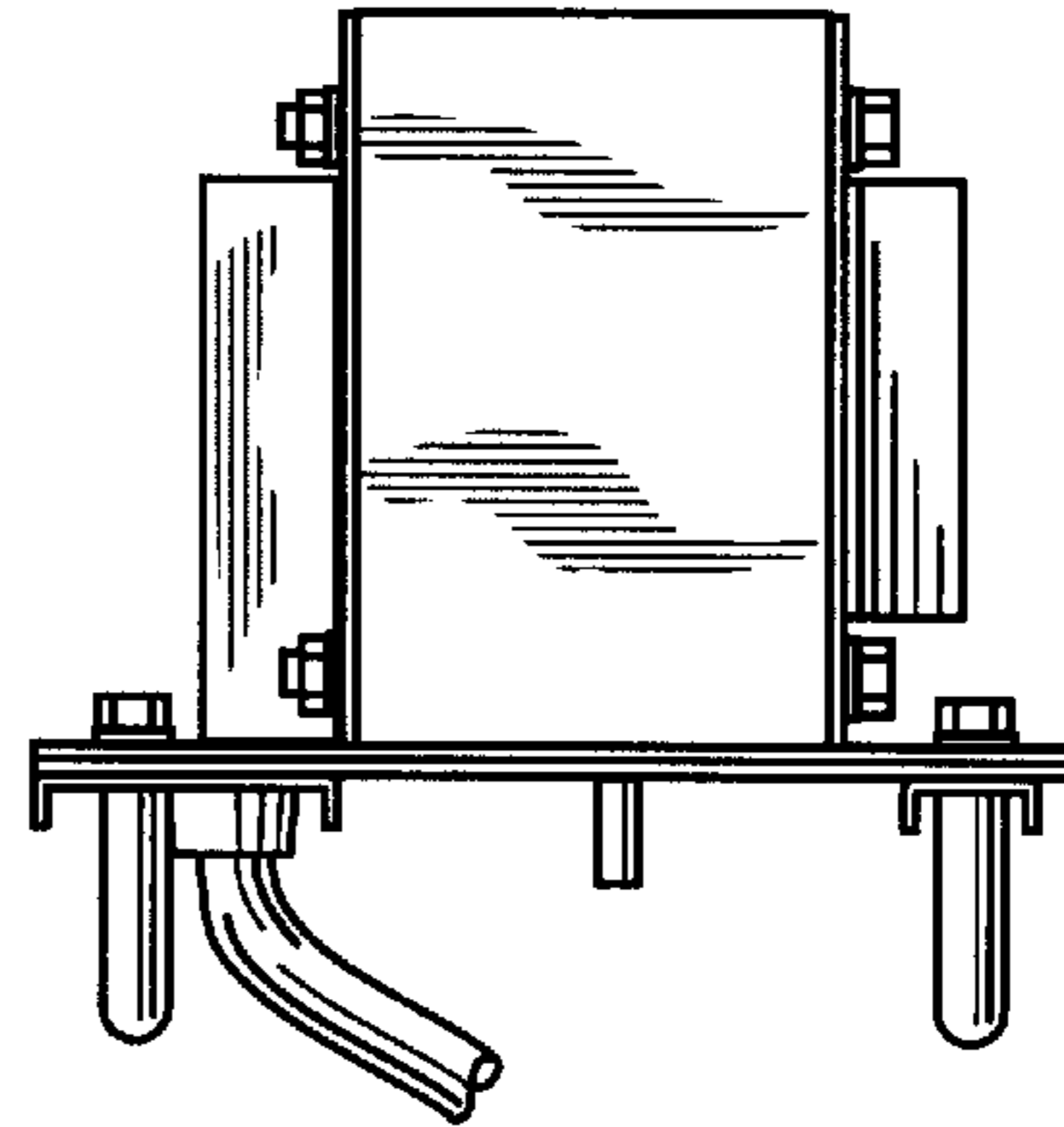


Fig. 2

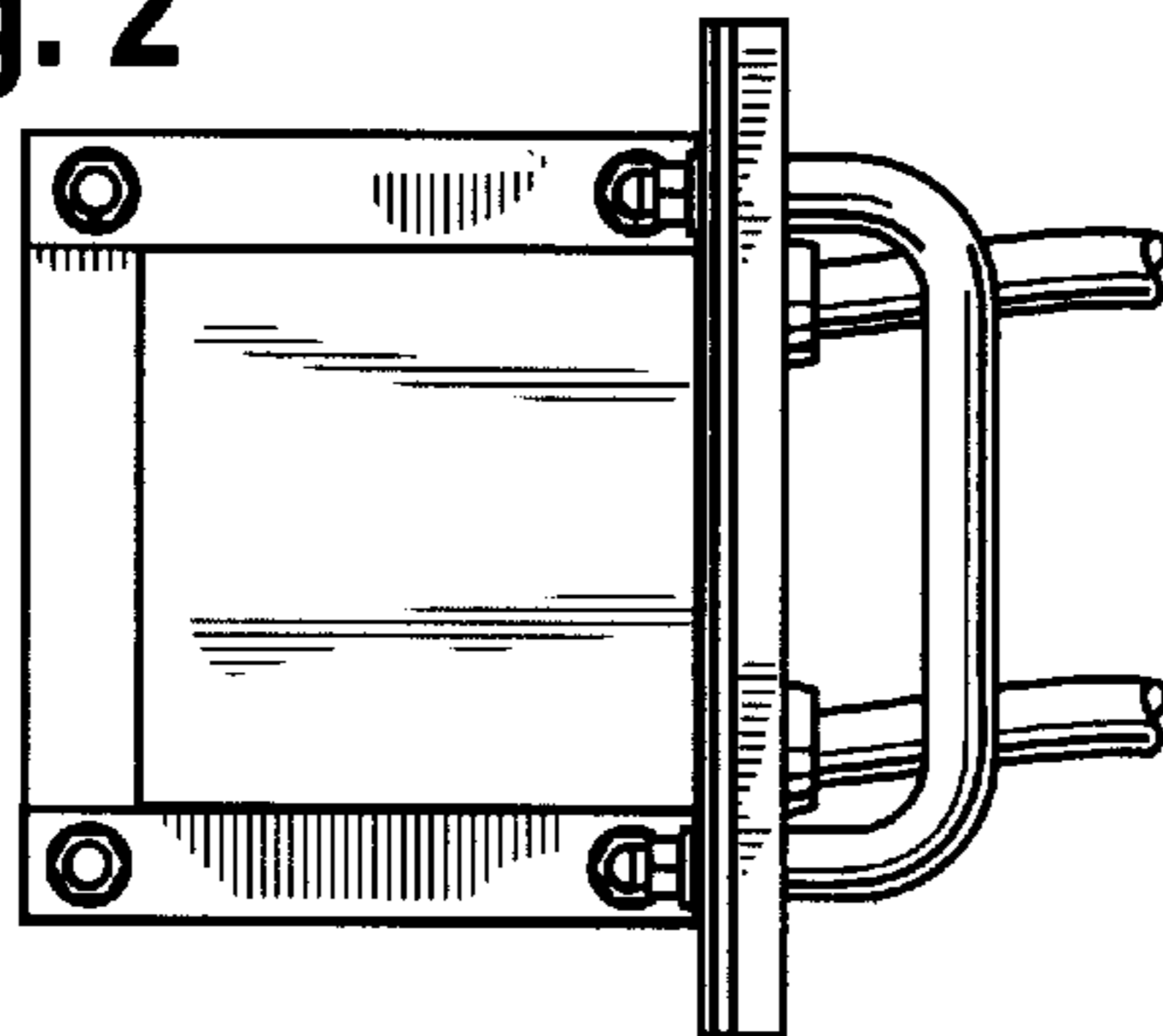


Fig. 6

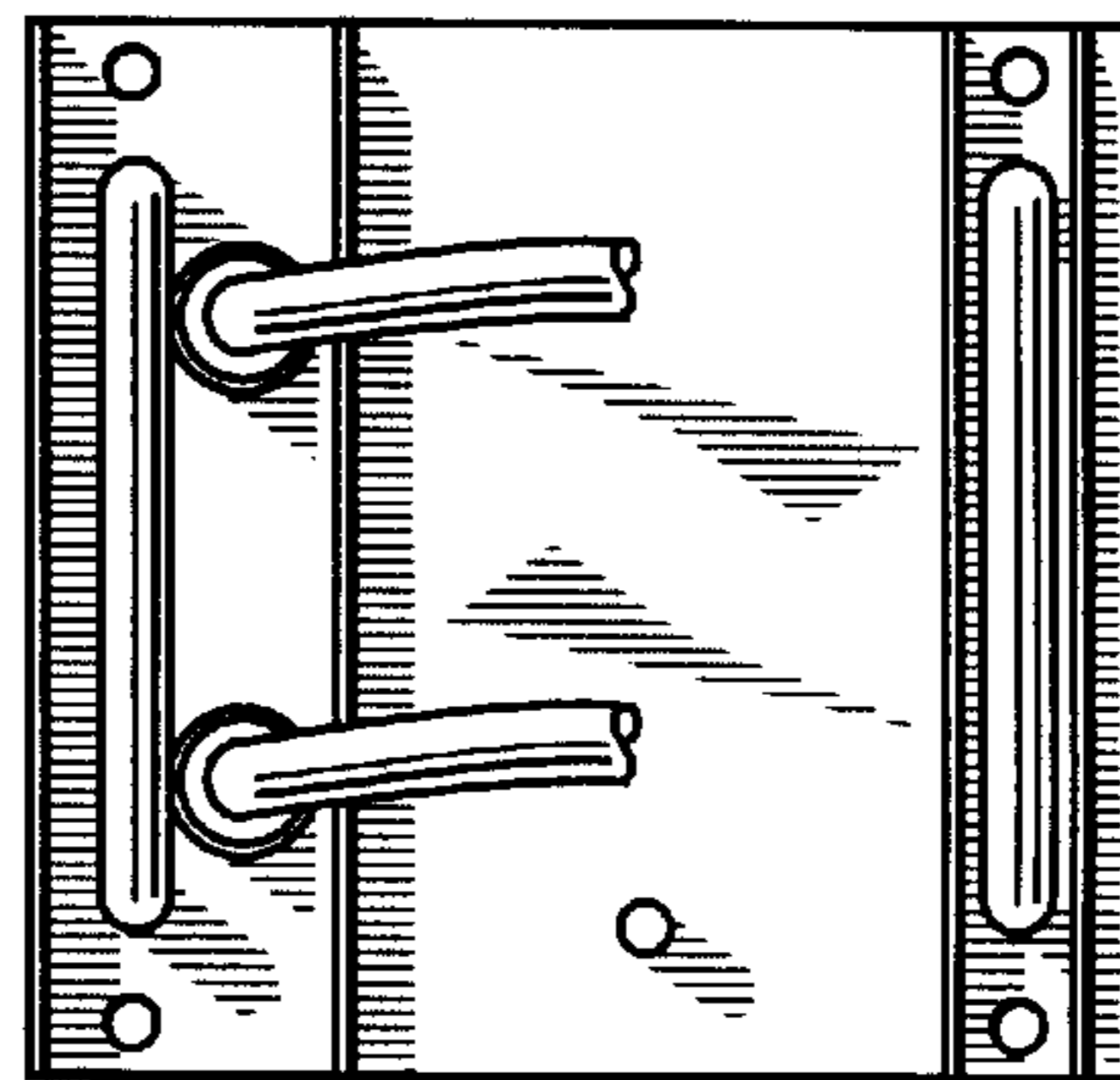


Fig. 3

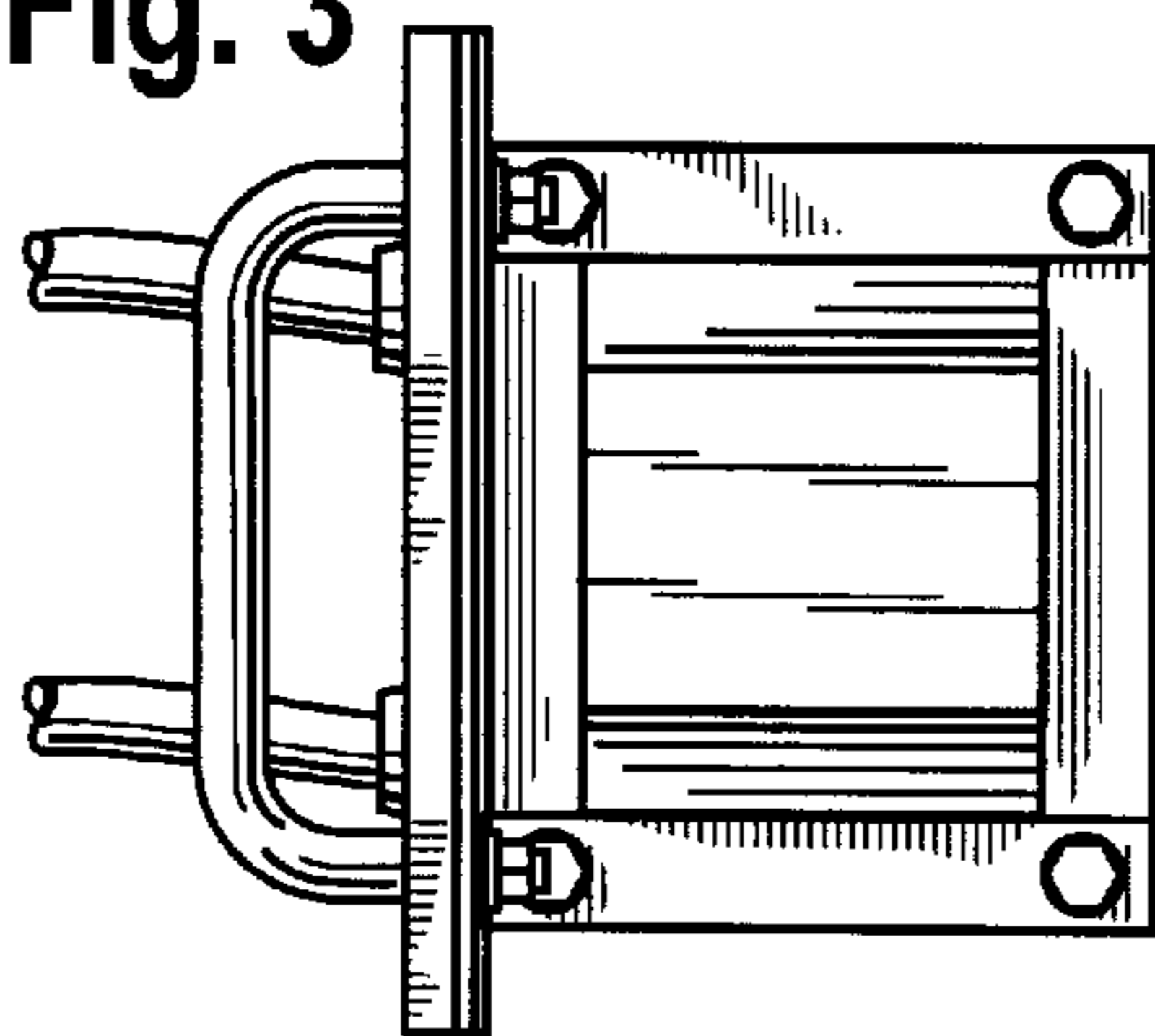


Fig. 5

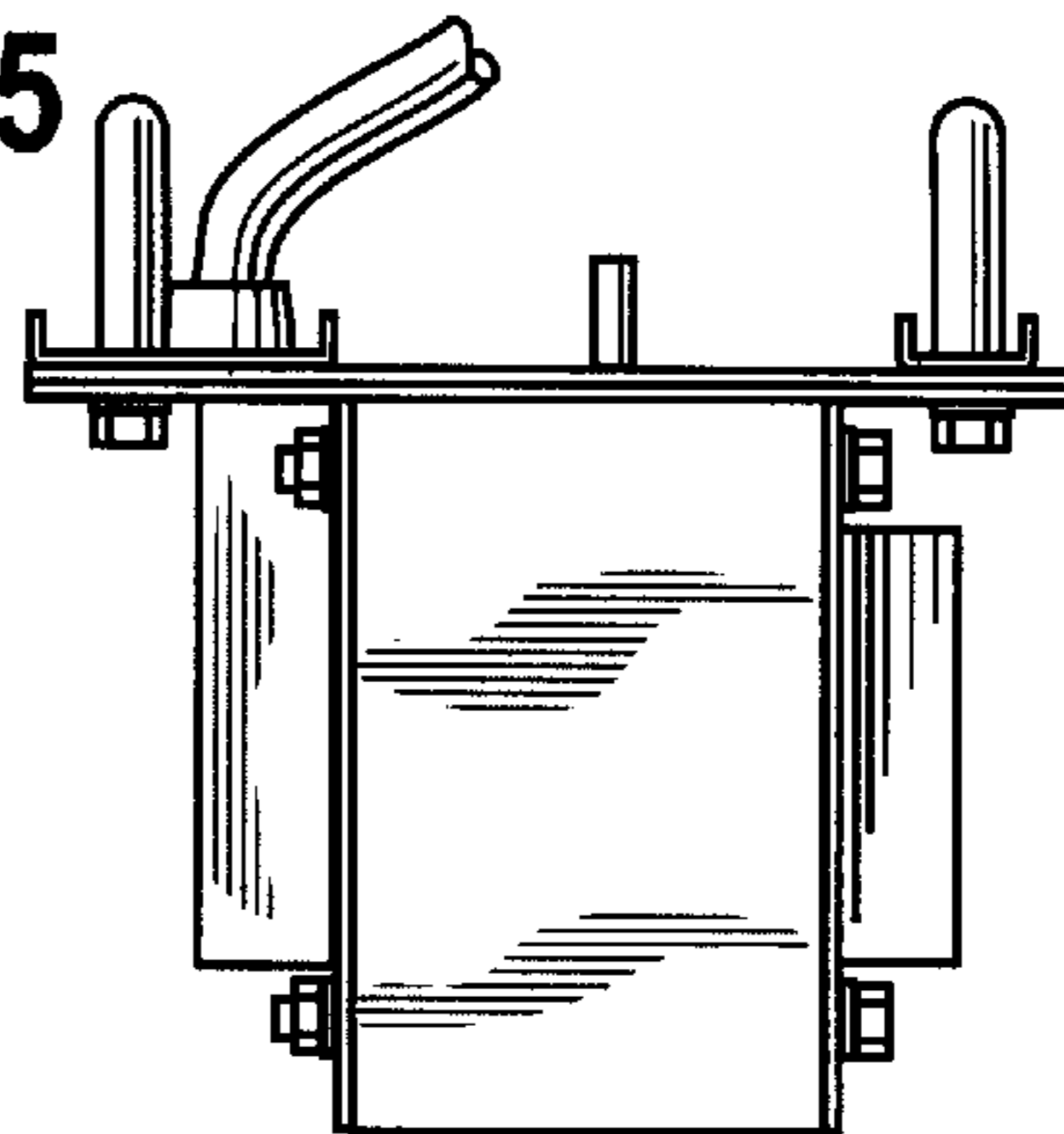


Fig. 7

