

US00D540741S

(12) **United States Design Patent**  
**Pols**

(10) **Patent No.:** **US D540,741 S**

(45) **Date of Patent:** **\*\* Apr. 17, 2007**

(54) **COMBUSTIBLE BRIQUETTE**

(76) **Inventor:** **Owen Don Pols**, 53 Protca Street, Piet Retief 2380 (ZA)

(\*\*) **Term:** **14 Years**

(21) **Appl. No.:** **29/245,069**

(22) **Filed:** **Dec. 15, 2005**

(30) **Foreign Application Priority Data**

Jun. 17, 2005 (ZA) ..... A2005/0803

(51) **LOC (8) Cl.** ..... **23-05**

(52) **U.S. Cl.** ..... **D13/100**

(58) **Field of Classification Search** ..... D7/402;  
D13/100, 199; D24/100, 102; 44/530-32,  
44/550, 589-91, 593, 608

See application file for complete search history.

(56) **References Cited**

**U.S. PATENT DOCUMENTS**

- 1,983,560 A \* 12/1934 Palmer ..... 44/532
- D94,923 S \* 3/1935 Palmer ..... D13/100
- 2,766,592 A \* 10/1956 Danel et al. .... 405/29
- 2,900,699 A \* 8/1959 Danel ..... 249/166
- D206,120 S \* 11/1966 Johnson ..... D25/199

- 3,456,446 A \* 7/1969 Kusatake ..... 405/29
- 3,645,059 A \* 2/1972 Grimm ..... 52/609
- D275,224 S \* 8/1984 Darche ..... D13/100
- D344,349 S \* 2/1994 Ohta ..... D25/113
- 5,441,362 A \* 8/1995 Melby et al. .... 405/16
- D501,698 S \* 2/2005 McNamara ..... D1/199
- D515,254 S \* 2/2006 Jager ..... D30/160

\* cited by examiner

*Primary Examiner*—Sandra Snapp

*Assistant Examiner*—Karen Acker

(74) *Attorney, Agent, or Firm*—Hahn and Moodley LLP;  
Vani Moodley

(57) **CLAIM**

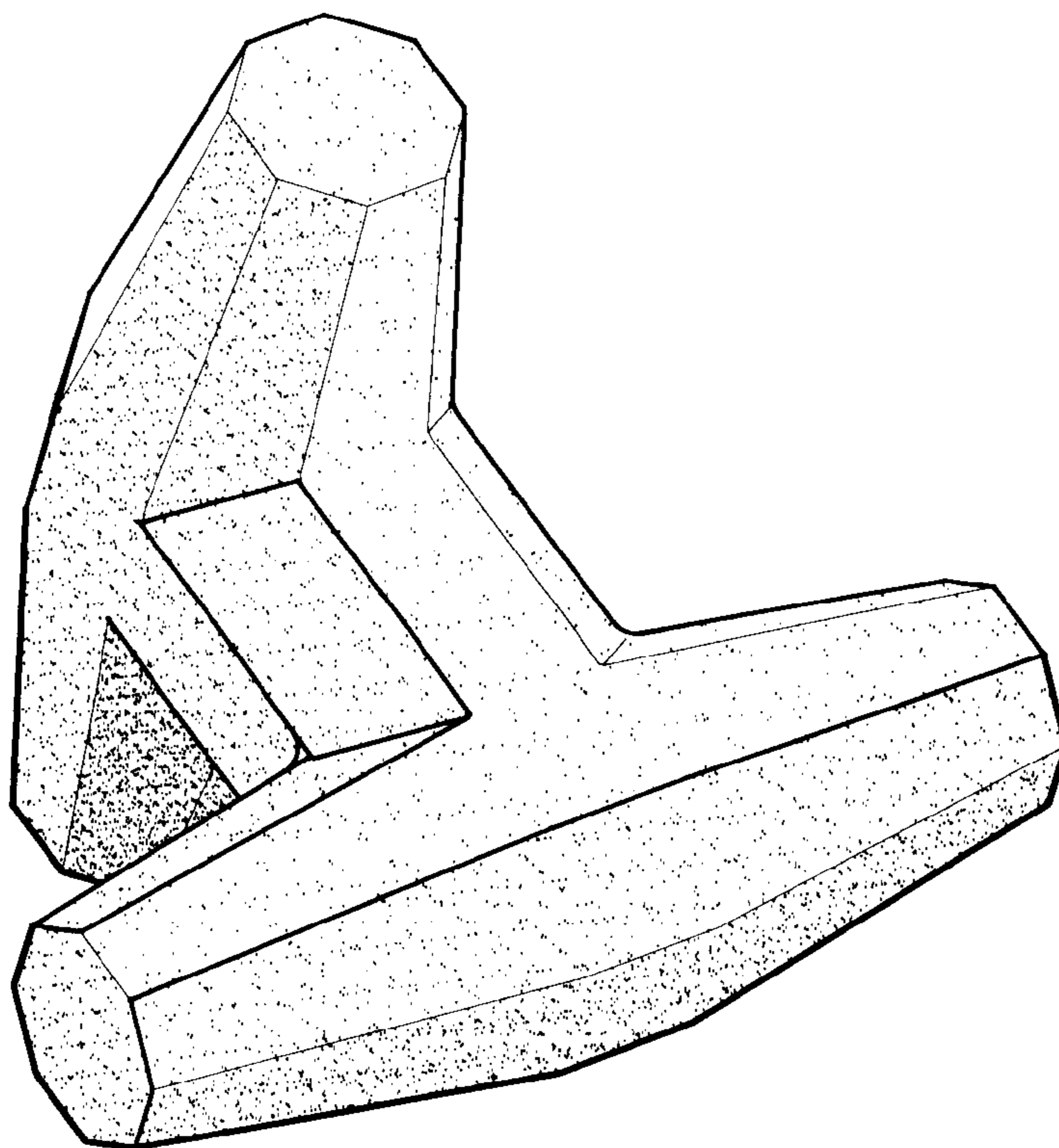
I claim the ornamental design for a combustible briquette, as shown and described.

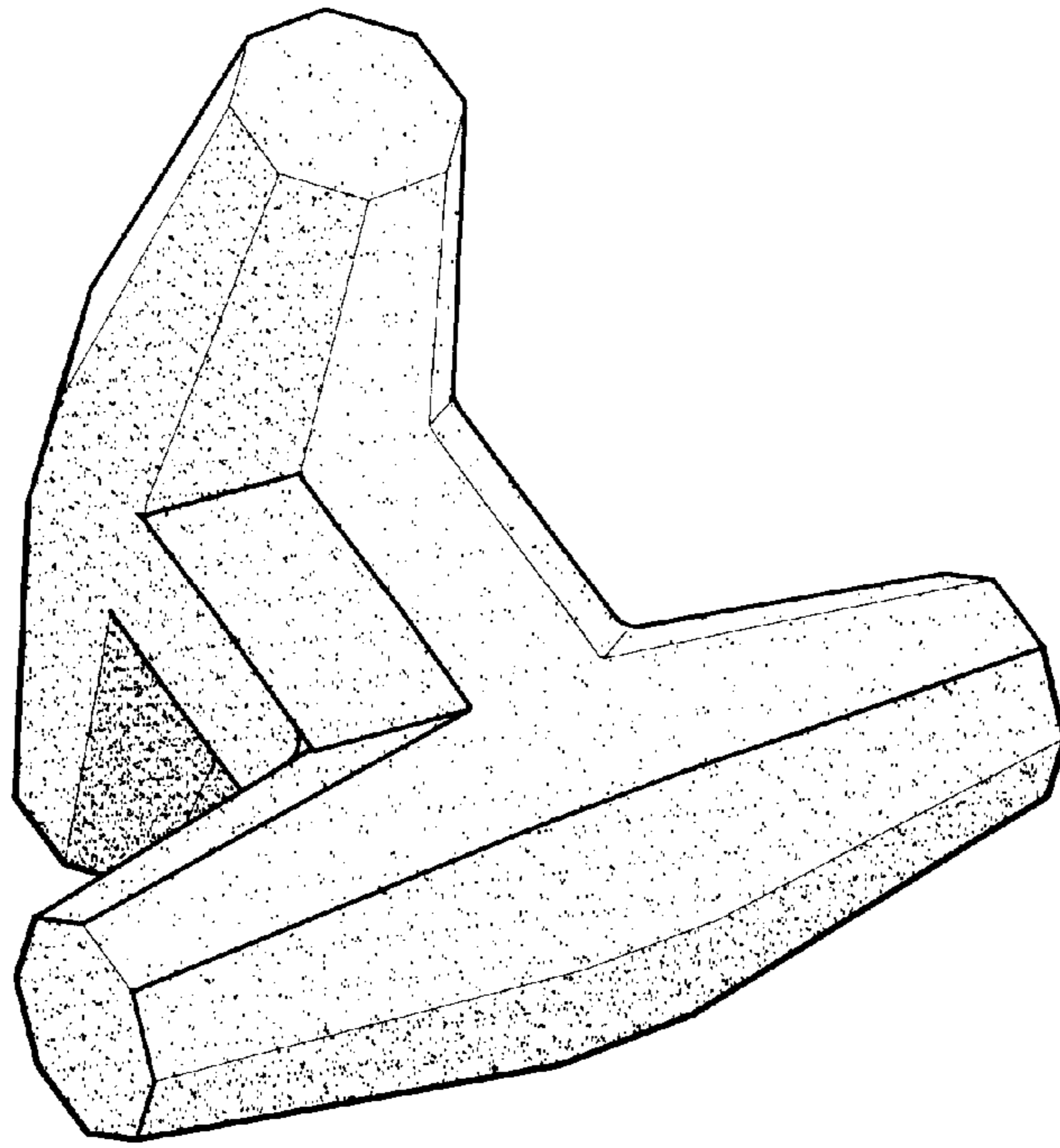
**DESCRIPTION**

FIGS. 1 and 2 are perspective views of a combustible briquette showing my new design;

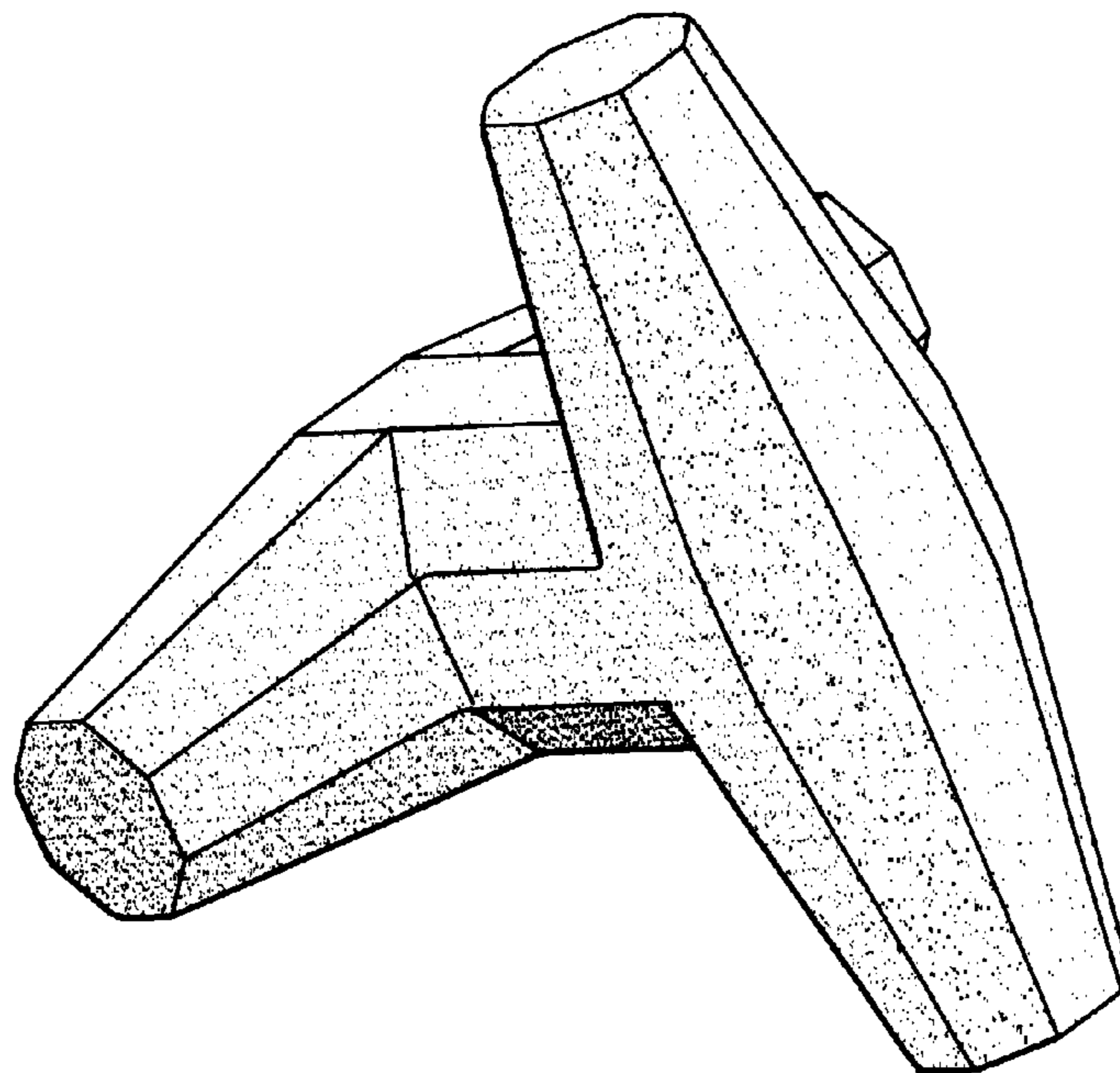
FIG. 3 shows a top view of the combustible briquette; and, FIG. 4 shows a side elevational view of the combustible briquette, the opposite side being a mirror image of this side elevational view.

**1 Claim, 2 Drawing Sheets**

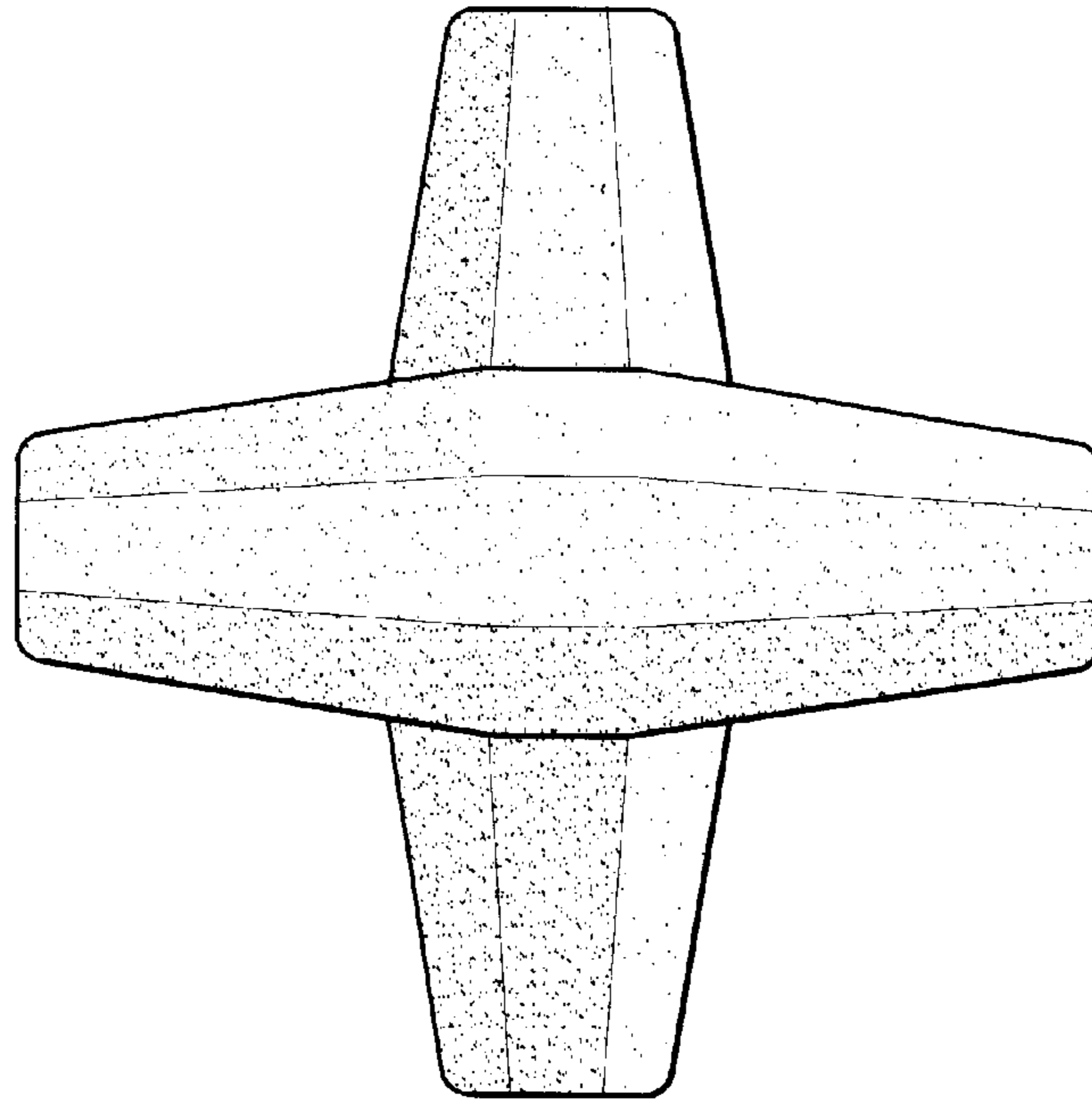




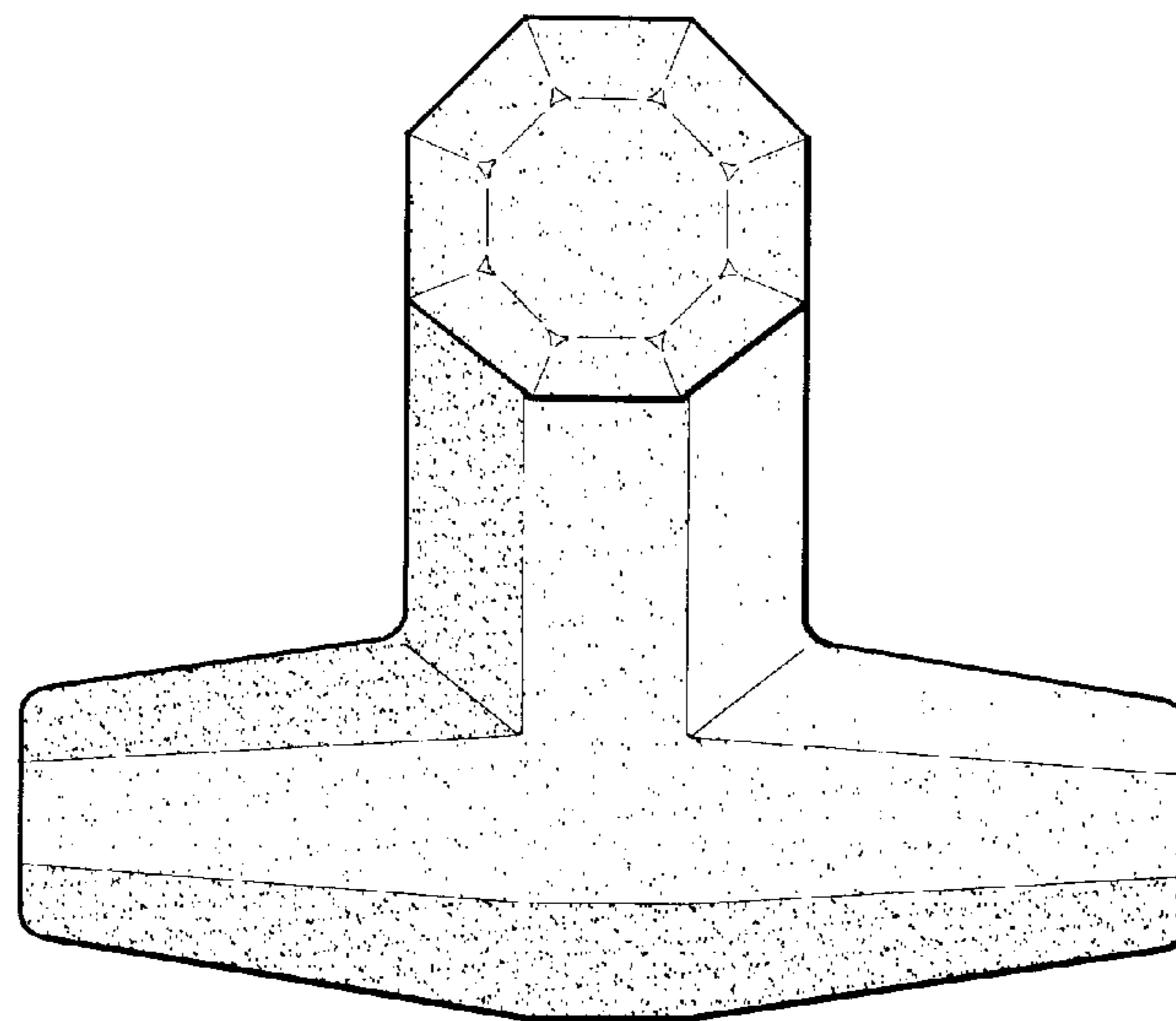
**FIGURE 1**



**FIGURE 2**



**FIGURE 3**



**FIGURE 4**