

US00D540738S

(12) **United States Design Patent**
Hatch

(10) **Patent No.:** **US D540,738 S**

(45) **Date of Patent:** **** Apr. 17, 2007**

(54) **SINGLE STORAGE CABINET OF A TRUCK VEHICLE**

(75) Inventor: **Richard B. Hatch**, Fort Wayne, IN (US)

(73) Assignee: **International Truck and Engine Corporation Canada**, Warrenville, IL (US)

(**) Term: **14 Years**

(21) Appl. No.: **29/232,335**

(22) Filed: **Jun. 16, 2005**

(51) **LOC (8) Cl.** **12-16**

(52) **U.S. Cl.** **D12/415; D12/423**

(58) **Field of Classification Search** D12/415, D12/419, 421, 423-426.1; D19/75, 65; D3/272-273, D3/905; D6/406.3-406.4, 441-443; 296/37.1, 296/37.6, 37.8, 37.14-37.16; 224/275, 539-543, 224/400-403, 328

See application file for complete search history.

(56) **References Cited**

U.S. PATENT DOCUMENTS

- D324,303 S * 3/1992 Miller D12/424
- D329,944 S * 10/1992 Longtin D12/423
- D410,620 S * 6/1999 Sacco et al. D12/415

- D415,732 S * 10/1999 Latham D12/419
- D453,137 S * 1/2002 Walterscheid et al. D12/423
- D453,138 S * 1/2002 Walterscheid et al. D12/424
- 6,338,429 B1 * 1/2002 Pesce 224/539
- 6,364,389 B1 4/2002 Beigel
- D460,635 S * 7/2002 Lieberman et al. D6/406.3
- 6,422,440 B1 * 7/2002 Stone 224/275
- 6,422,626 B1 7/2002 Beigel
- D462,171 S * 9/2002 Elabour D3/284
- D494,535 S * 8/2004 McCoy et al. D12/423
- D495,989 S * 9/2004 Kohara D12/424

* cited by examiner

Primary Examiner—Stacia Cadmus

(74) *Attorney, Agent, or Firm*—Jeffrey P. Calfa; Gerald W. Askew; Dennis K. Sullivan

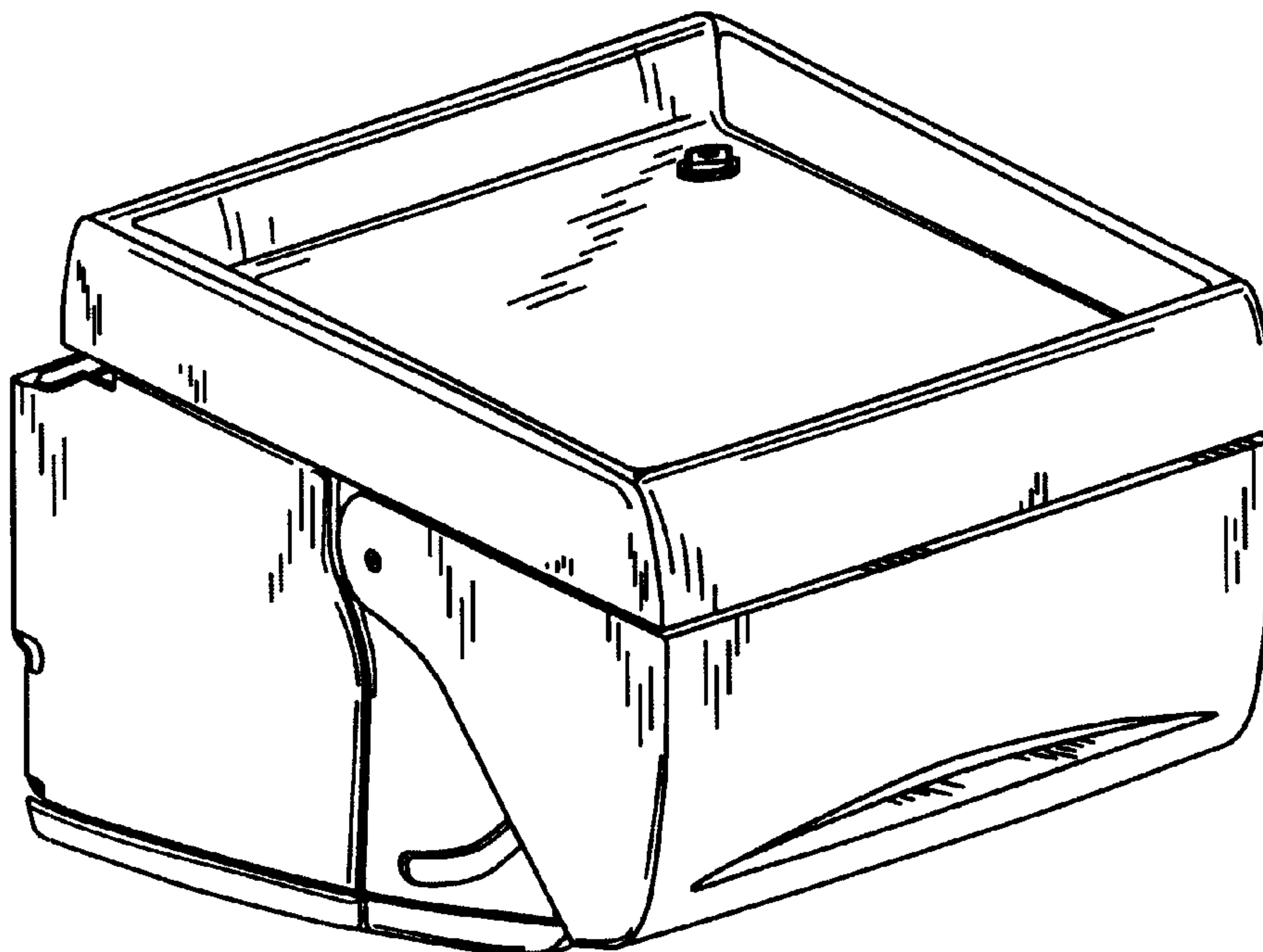
(57) **CLAIM**

The ornamental design for a single storage cabinet of a truck vehicle, as shown and described.

DESCRIPTION

FIG. 1 is a right, front perspective view of a single storage cabinet of a truck vehicle showing my new design; FIG. 2 is a right view thereof; FIG. 3 is a front view thereof; FIG. 4 is a top view thereof; and, FIG. 5 is a bottom view thereof.

1 Claim, 2 Drawing Sheets



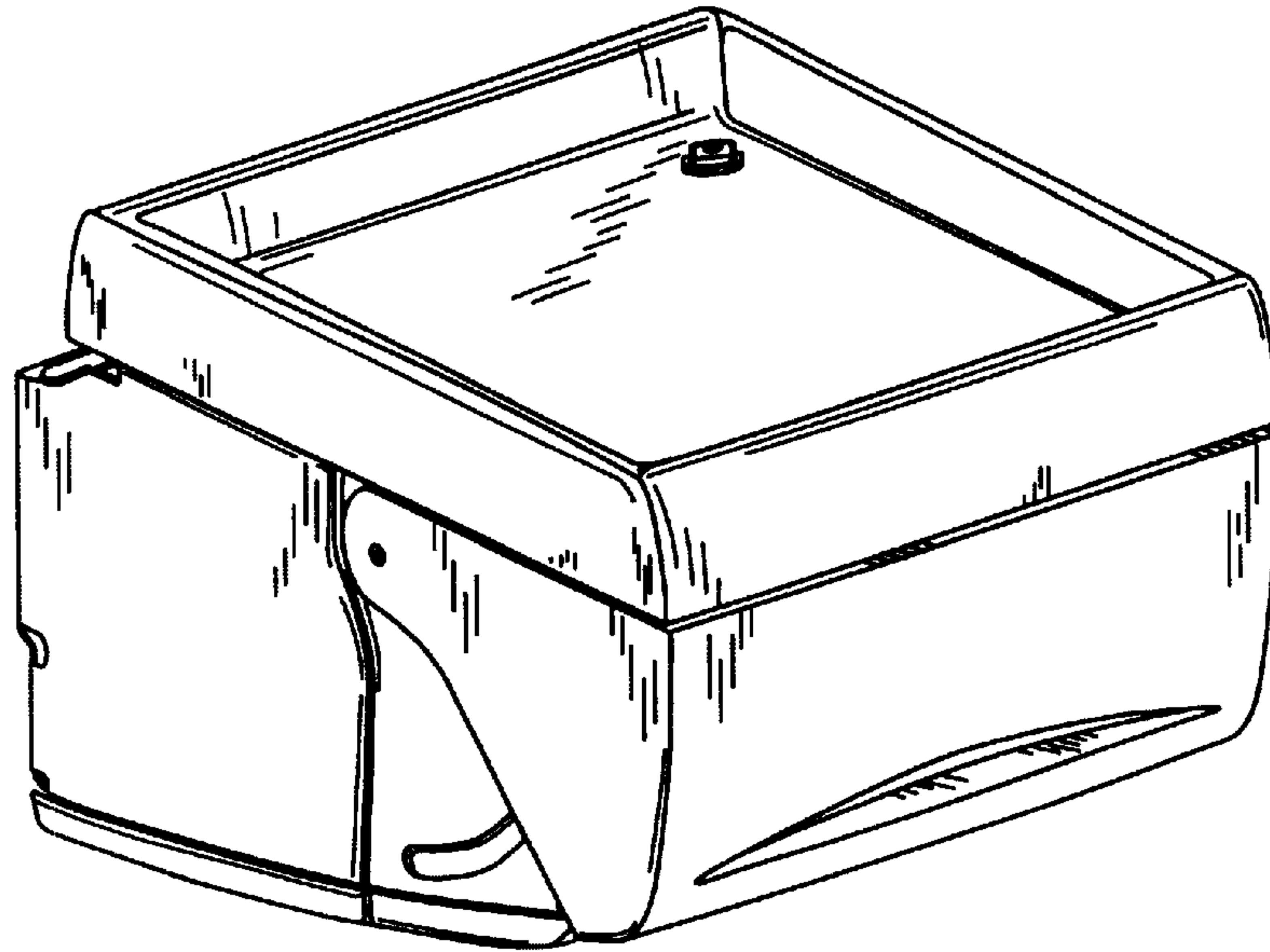


FIG. 1

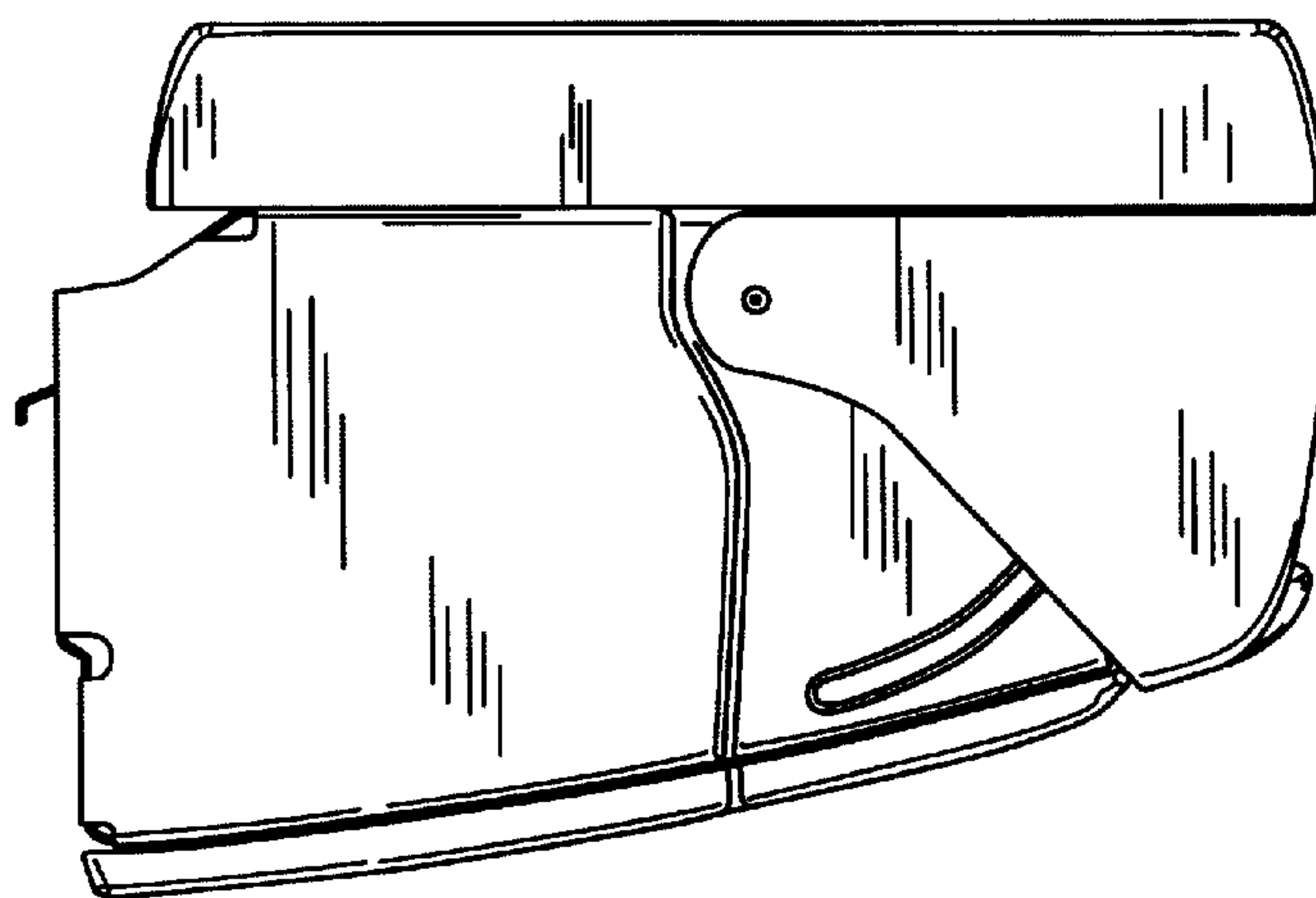


FIG. 2

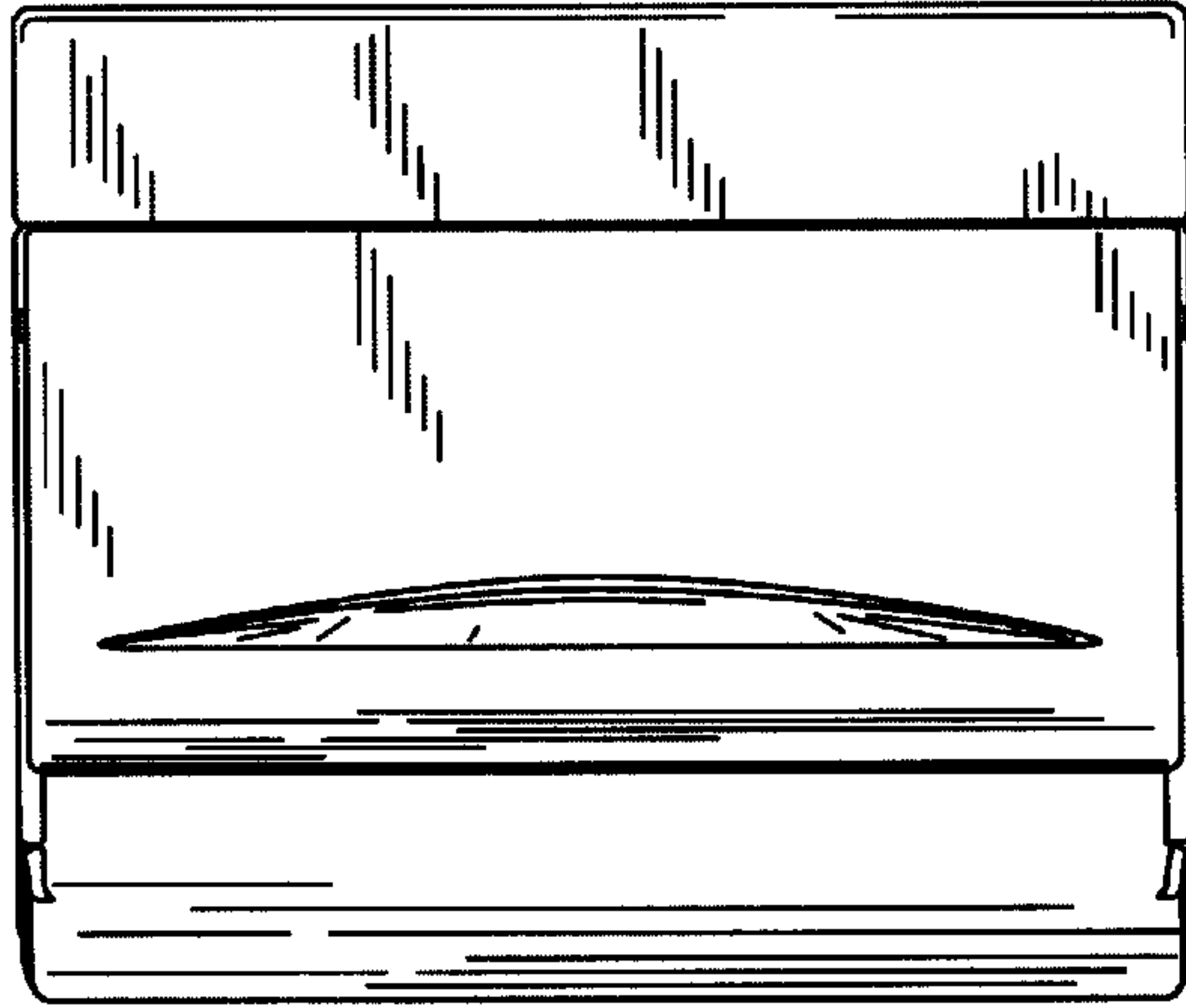


FIG. 3

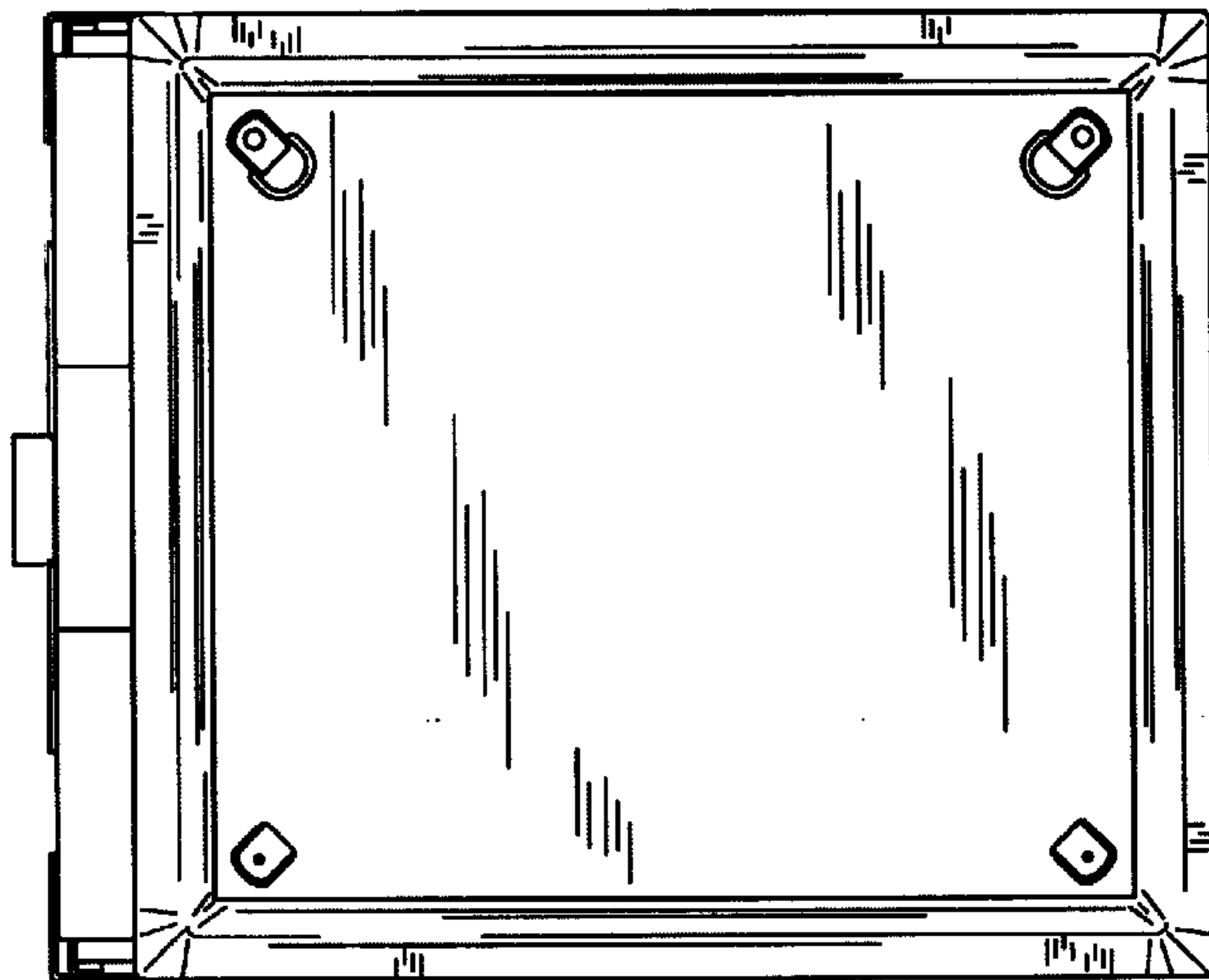


FIG. 4

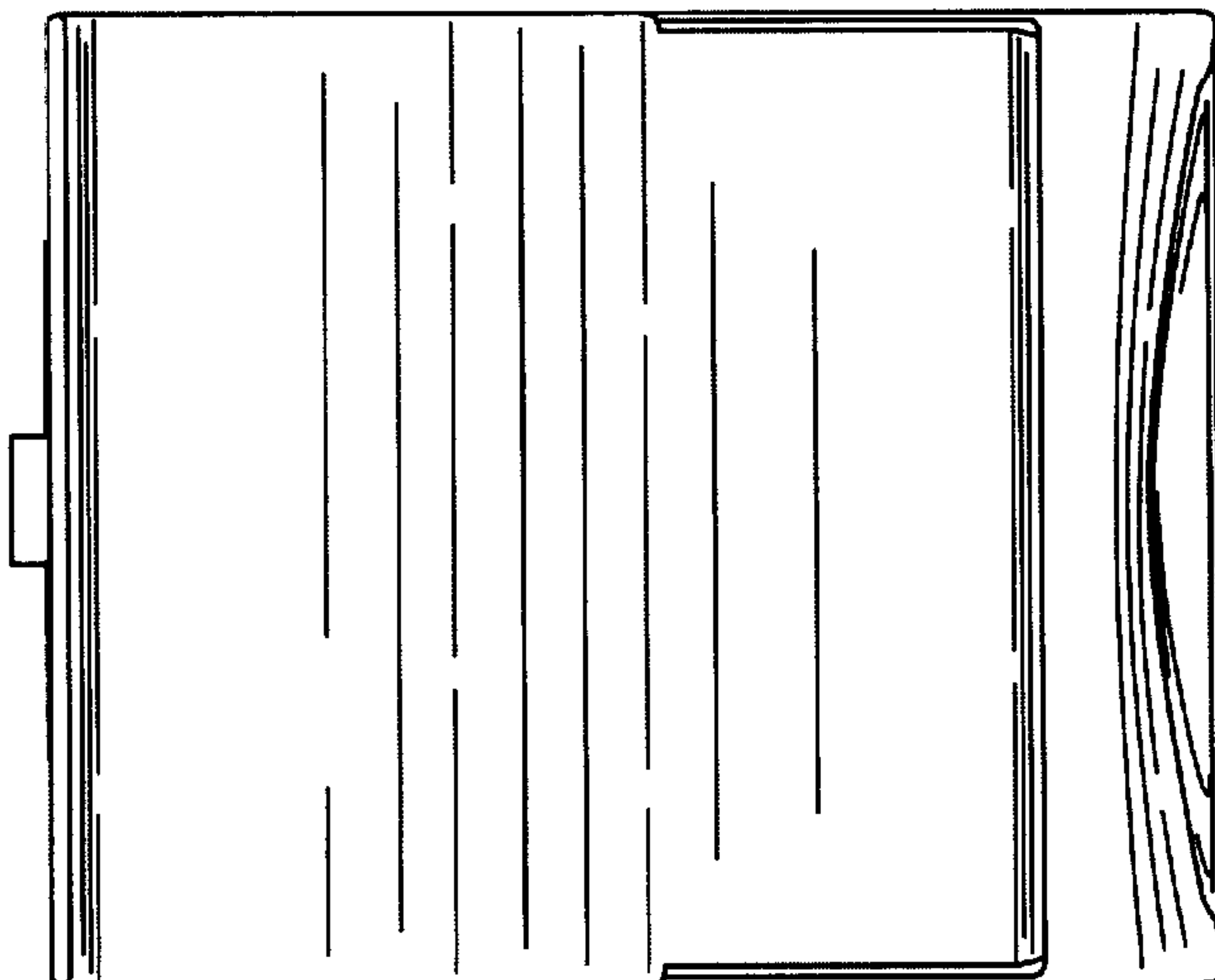


FIG. 5