

US00D540736S

(12) **United States Design Patent**  
**Harris**

(10) **Patent No.:** **US D540,736 S**

(45) **Date of Patent:** **\*\* Apr. 17, 2007**

(54) **ROOF RACK**

(75) Inventor: **Glenn Harris**, Camarillo, CA (US)

(73) Assignee: **Southern California Gold Products, Inc.**, Camarillo, CA (US)

(\*\*) Term: **14 Years**

(21) Appl. No.: **29/208,886**

(22) Filed: **Jul. 6, 2004**

(51) **LOC (8) Cl.** ..... **12-16**

(52) **U.S. Cl.** ..... **D12/412**

(58) **Field of Classification Search** ..... D12/406,  
D12/412, 414, 414.1; 296/37.1, 3; 224/309-310,  
224/315-316, 323, 324; D6/552; D3/304  
See application file for complete search history.

(56) **References Cited**

**U.S. PATENT DOCUMENTS**

D350,724 S	*	9/1994	Lichtbach	.....	D12/412
D377,780 S	*	2/1997	MacNeil	.....	D12/221
D413,562 S	*	9/1999	Van Dusen et al.	.....	D12/412
6,068,168 A	*	5/2000	Kreisler	.....	224/309
D470,451 S	*	2/2003	Bushart et al.	.....	D12/412
2003/0029894 A1	*	2/2003	Crane et al.	.....	224/319

\* cited by examiner

*Primary Examiner*—Caron D. Veynar

*Assistant Examiner*—Katrina A. Kile

(74) *Attorney, Agent, or Firm*—Marvin E. Jacobs; Robert J. Schaap

(57) **CLAIM**

The ornamental design for a roof rack, as shown and described.

**DESCRIPTION**

FIG. 1 is a perspective elevation view of a roof rack showing my new design, it being understood that the broken line showing of the vehicle is for illustrative purposes only;

FIG. 2 is a perspective elevation view of a roof rack showing my new design, it being understood that the broken line showing of the vehicle is for illustrative purposes only;

FIG. 3 is a frontal elevation view of a the roof rack;

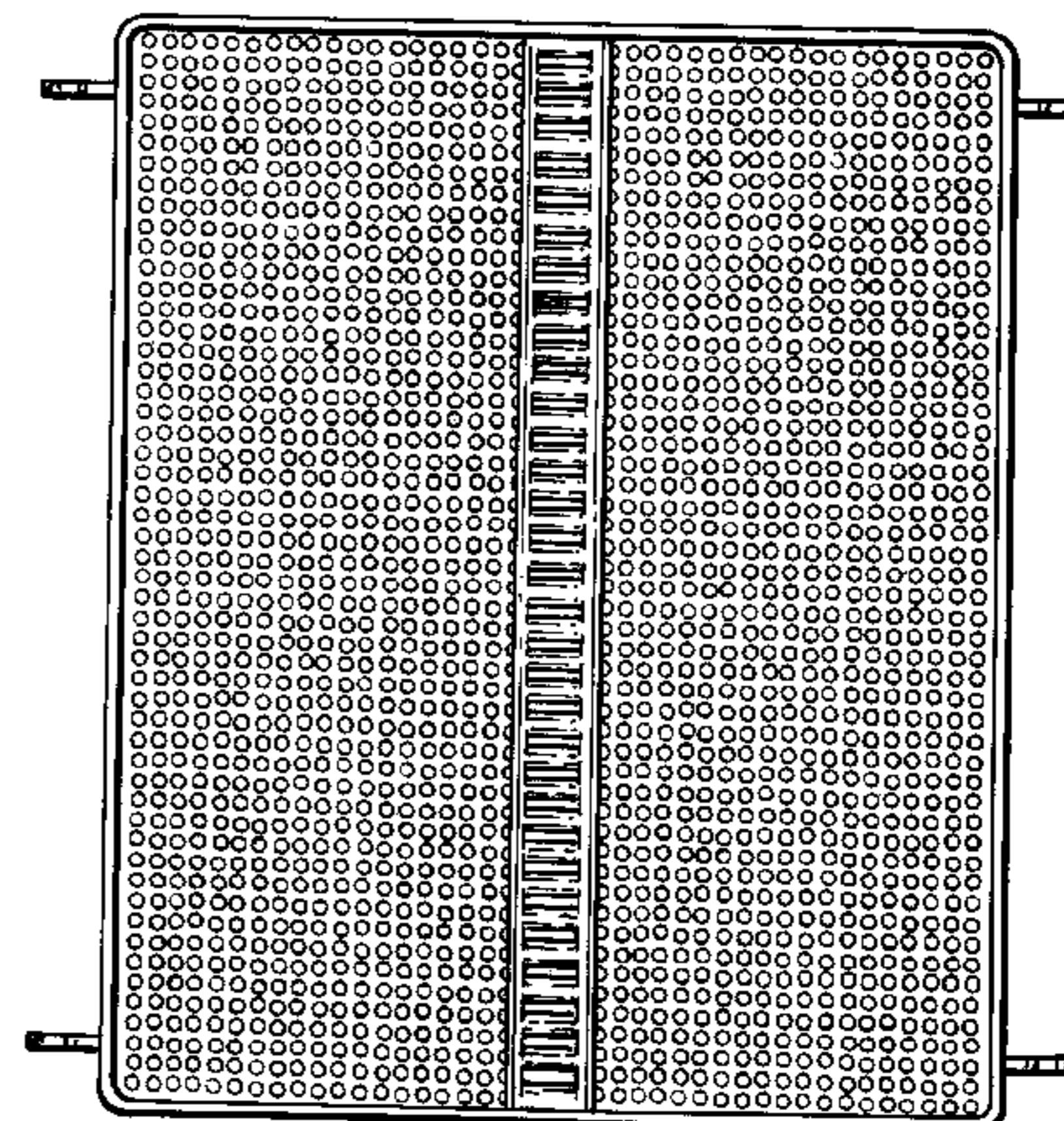
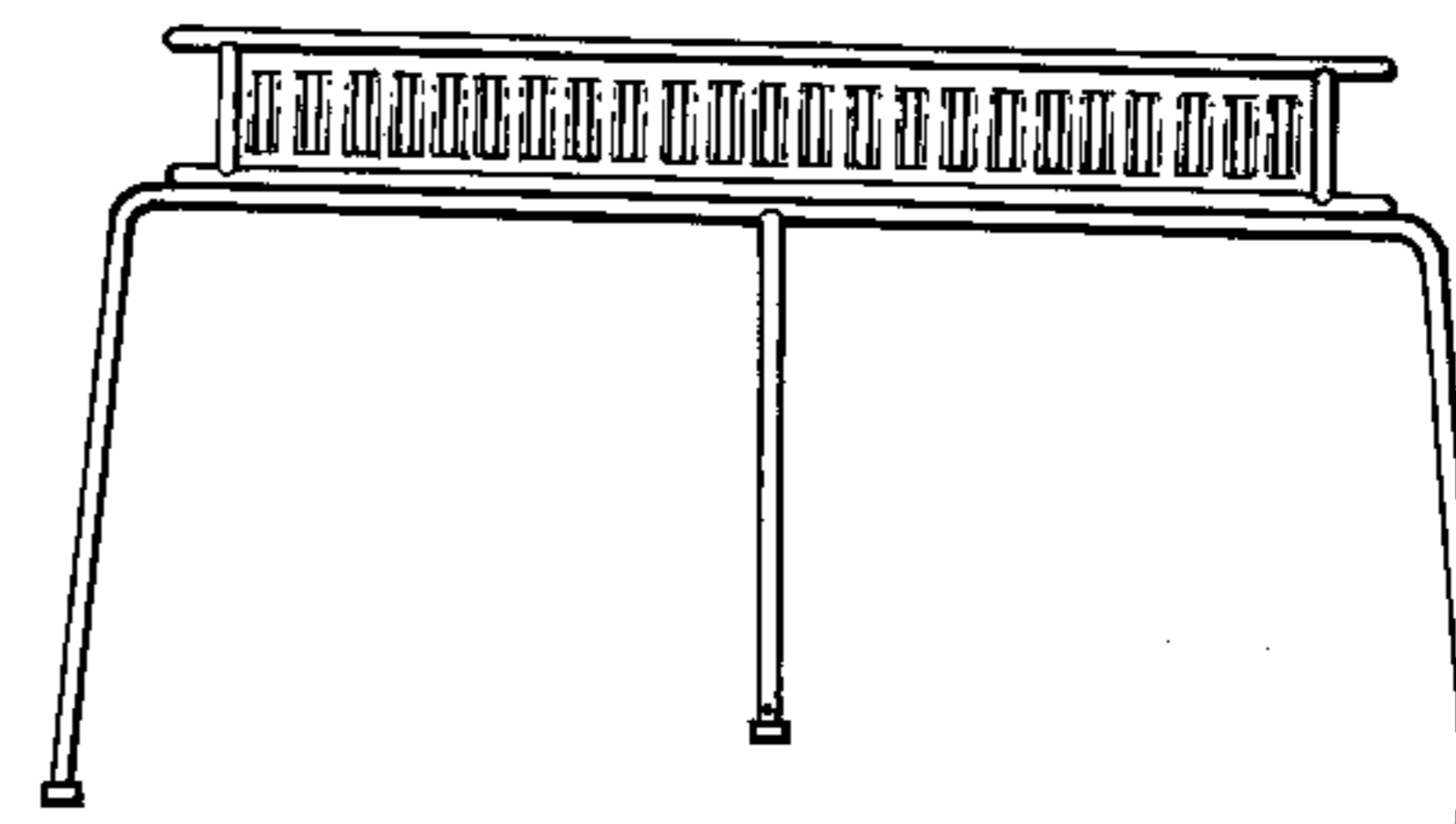
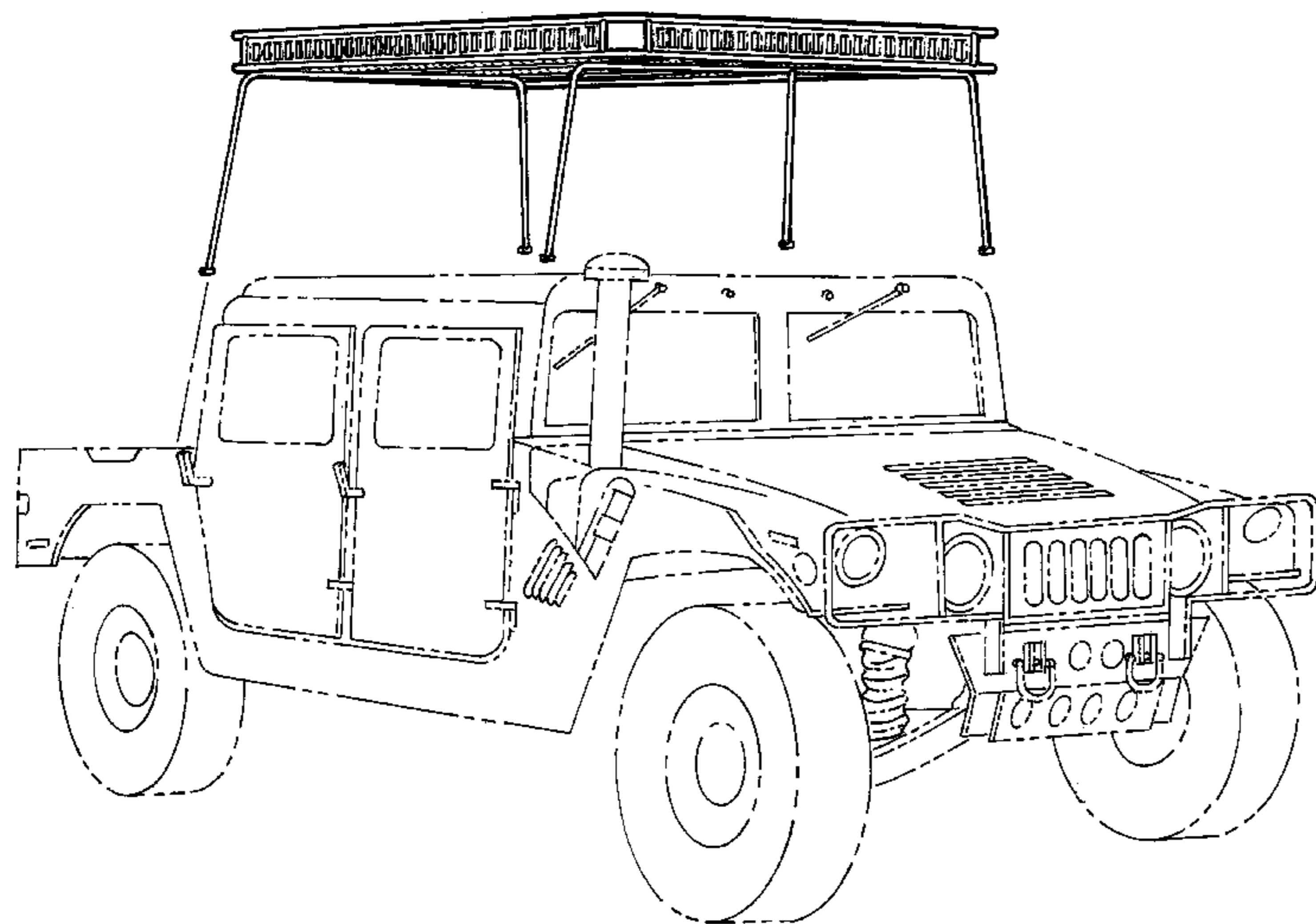
FIG. 4 is a top plan view of the roof rack;

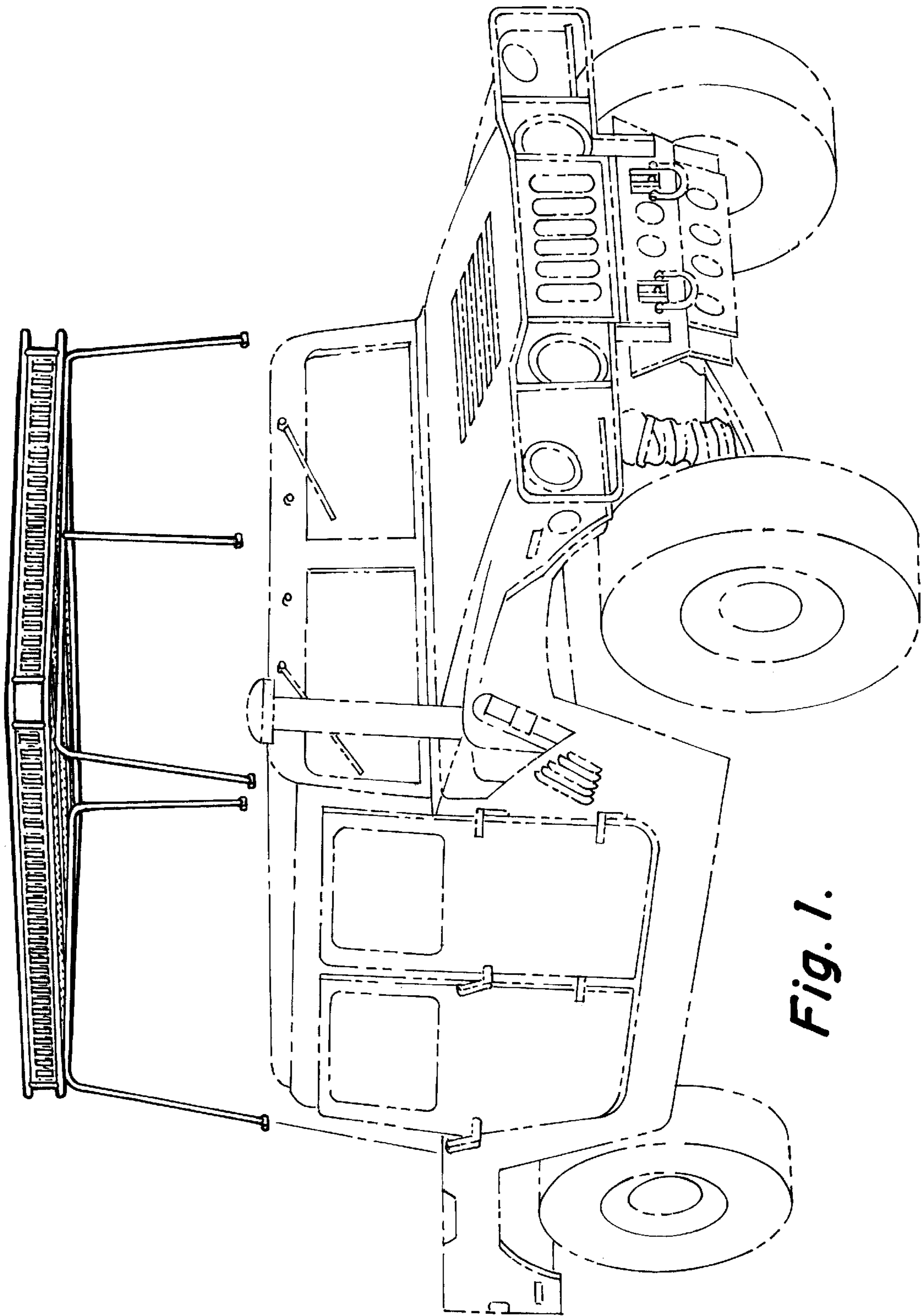
FIG. 5 is a bottom plan view of the roof rack;

FIG. 6 is a rear elevational view of the roof rack; and,

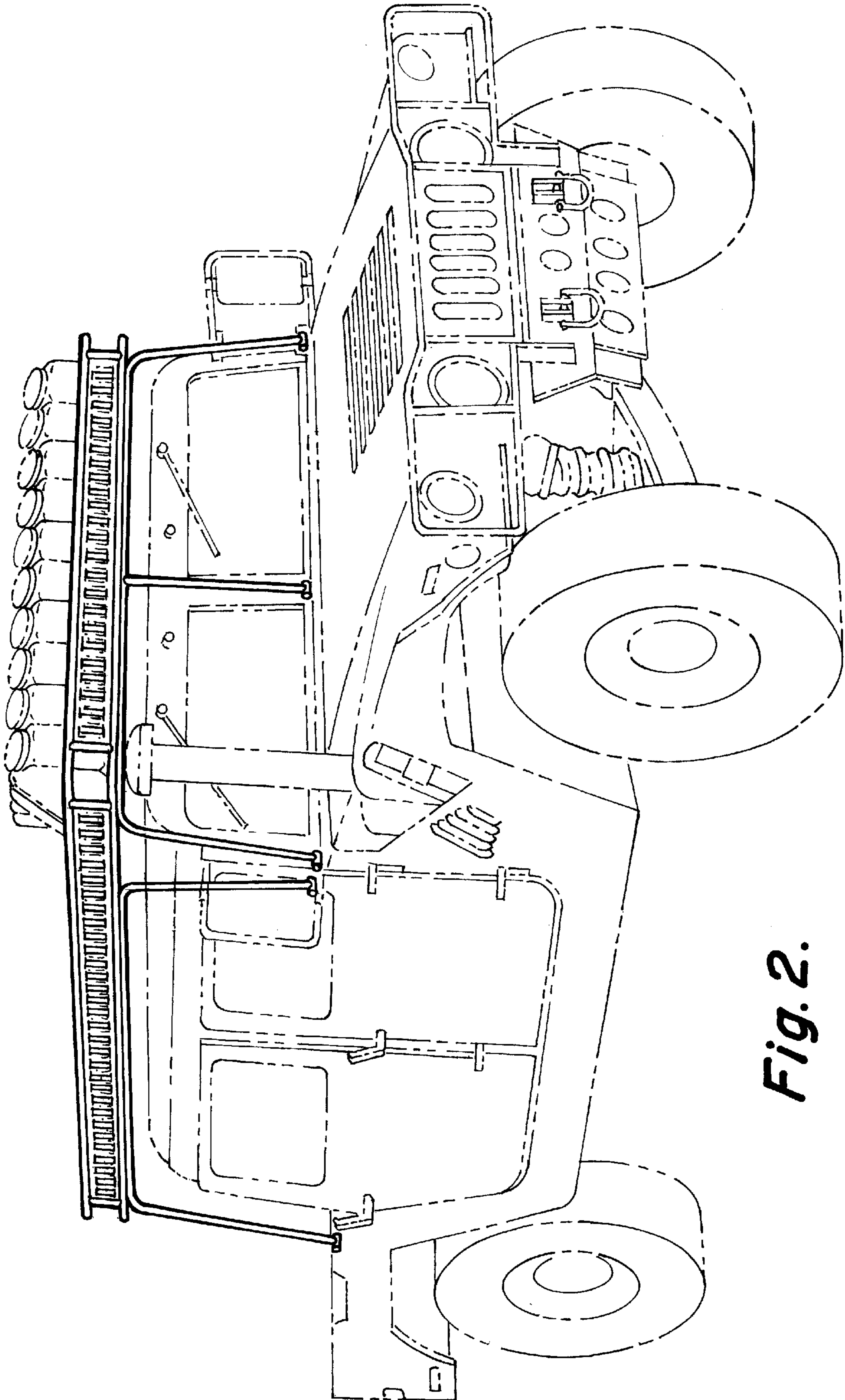
FIG. 7 is a left side elevation view of the roof rack, the right side elevation view is identical.

**1 Claim, 5 Drawing Sheets**



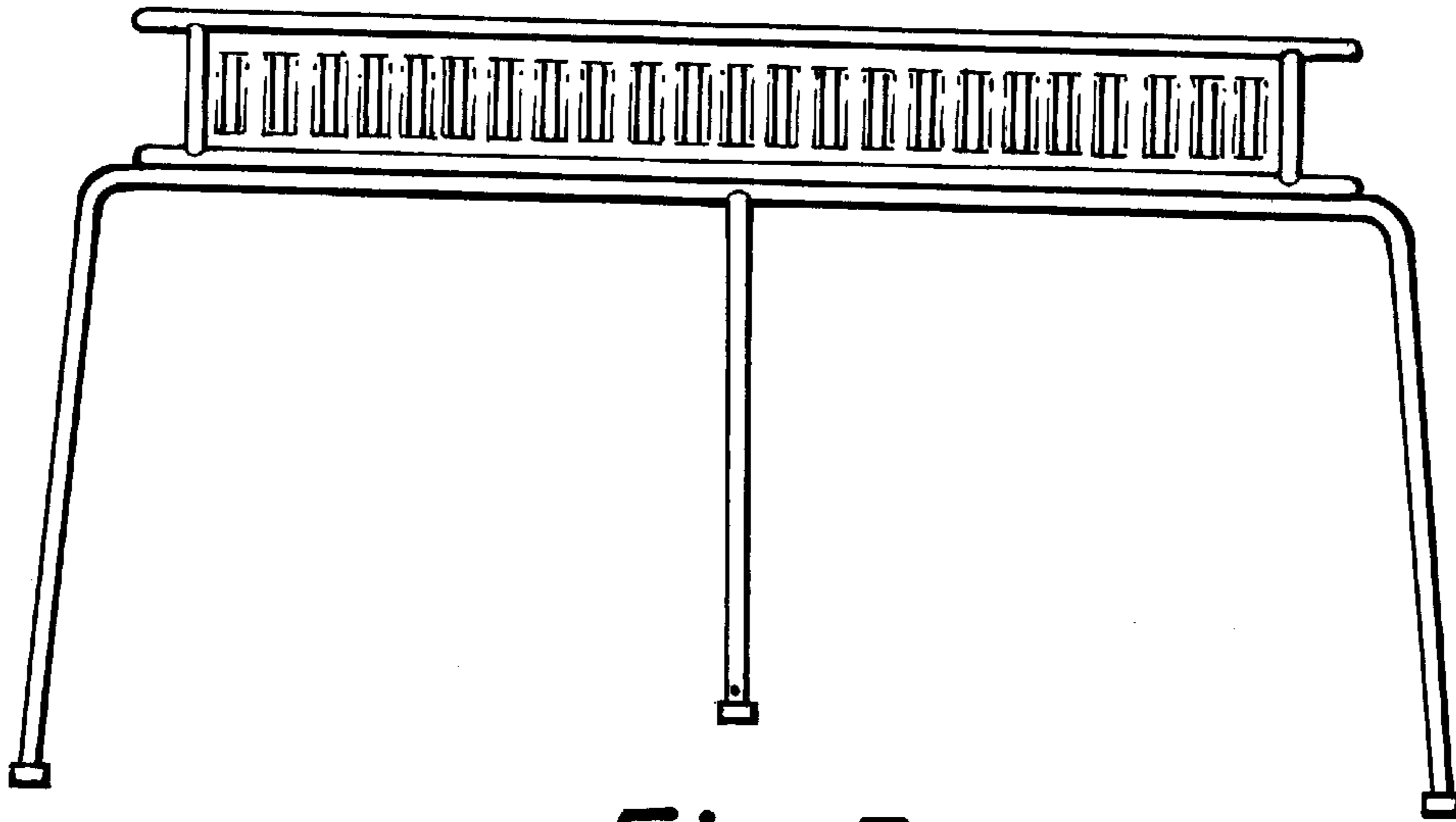


*Fig. 1.*

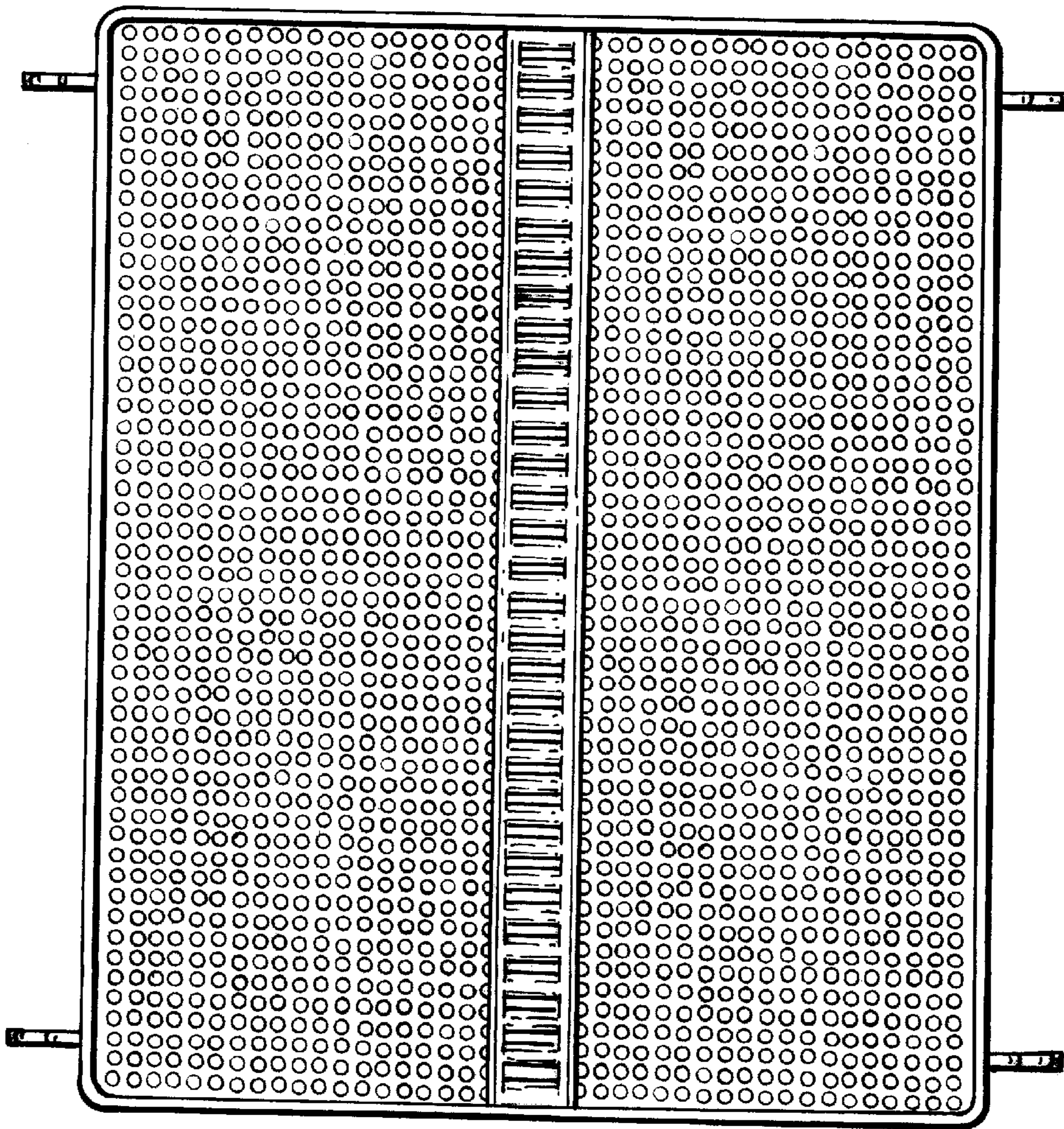


*Fig. 2.*



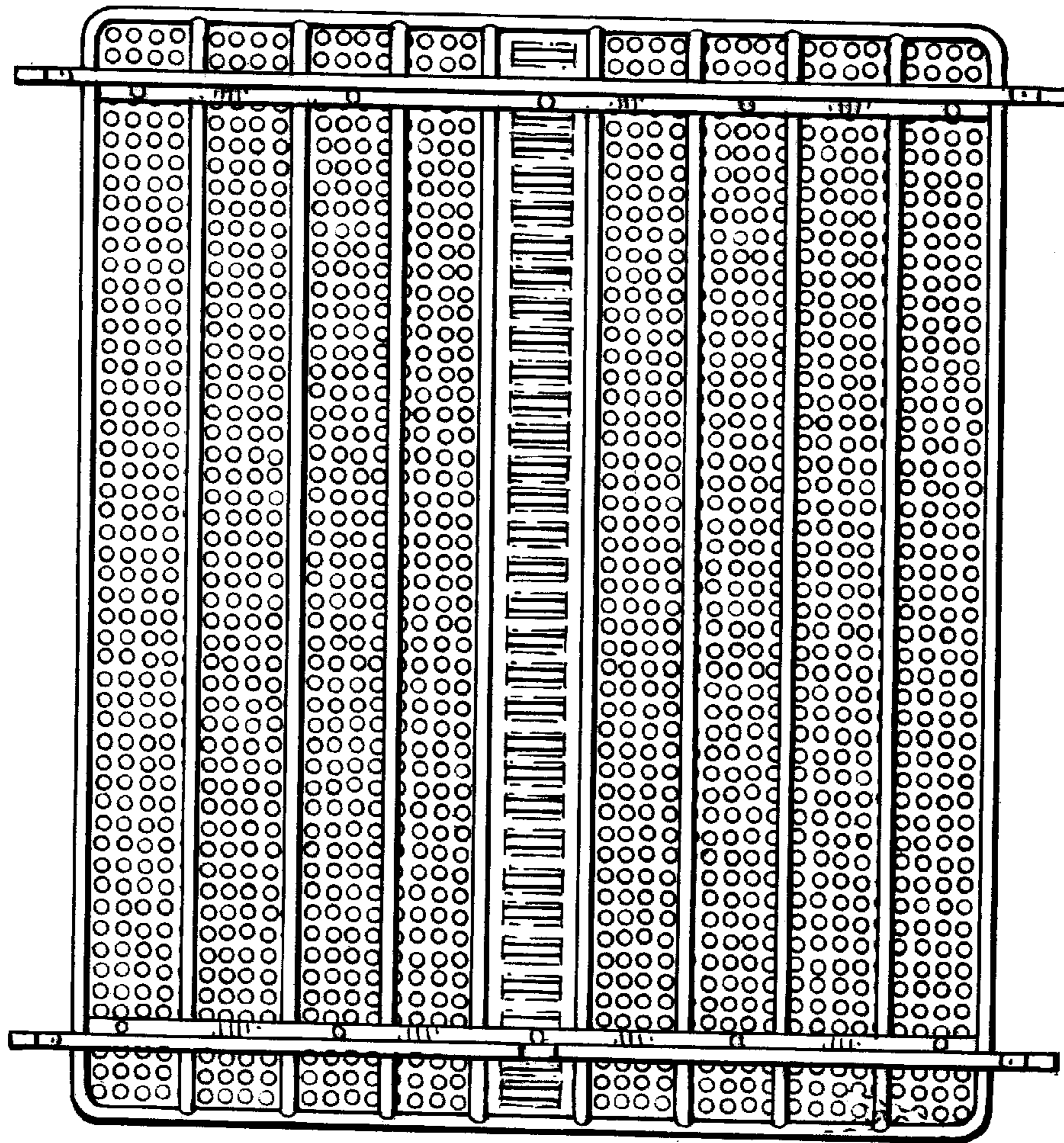


*Fig. 3.*

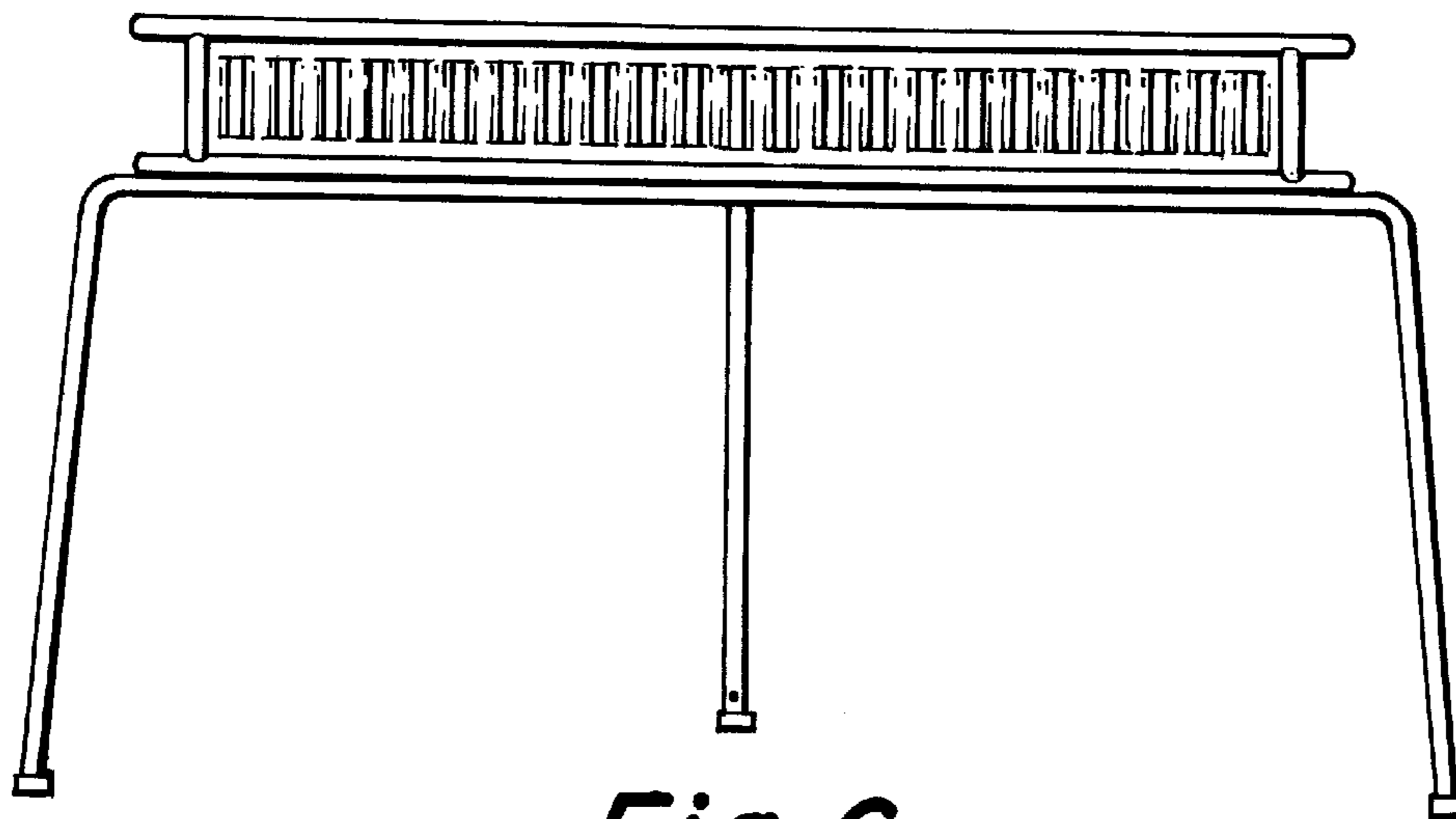


*Fig. 4.*

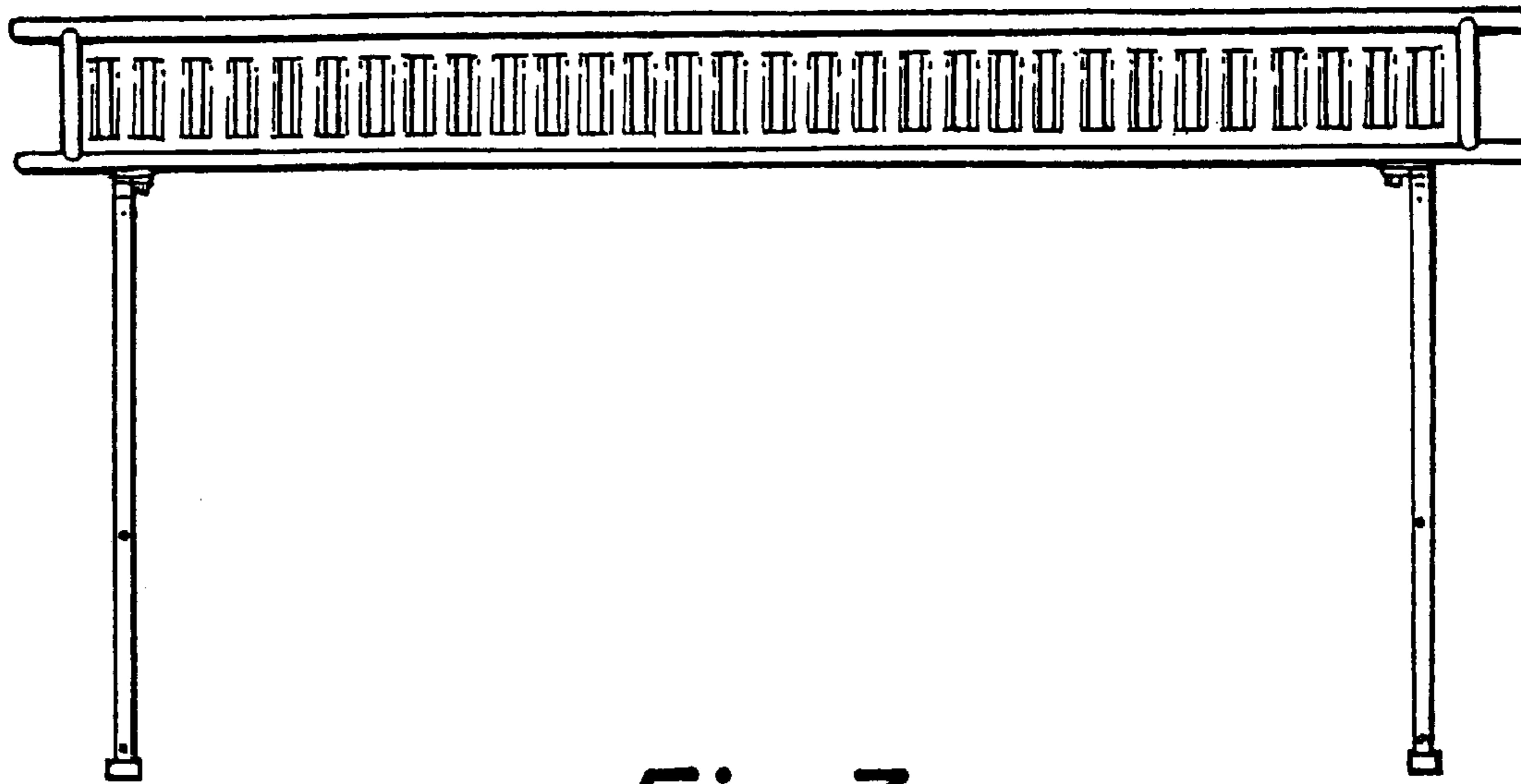




*Fig. 5.*



*Fig. 6.*



*Fig. 7.*