



US00D540734S

(12) **United States Design Patent**
Loos et al.

(10) **Patent No.:** **US D540,734 S**

(45) **Date of Patent:** **** Apr. 17, 2007**

(54) **TANK**

4,940,209 A * 7/1990 Fish 123/196 R
D401,188 S * 11/1998 Shickle D12/114

(75) Inventors: **Don Lee Loos**, Cleves, OH (US);
Jeffrey Lee Cochran, Cincinnati, OH
(US)

* cited by examiner

(73) Assignee: **Sucker Punch Sallys, LLC.**,
Scottsdale, AZ (US)

Primary Examiner—Alan P. Douglas
Assistant Examiner—Linda Brooks

(**) Term: **14 Years**

(57) **CLAIM**

The ornamental design for a tank, as shown and described.

(21) Appl. No.: **29/232,135**

DESCRIPTION

(22) Filed: **Jun. 15, 2005**

(51) **LOC (8) Cl.** **12-06**

(52) **U.S. Cl.** **D12/218**

(58) **Field of Classification Search** D12/110,
D12/218; 180/219, 225, 69.4; 280/833, 835;
123/572, 196 R, 196 W, 196 AB; D11/121,
D11/125; 428/7-9, 11

FIG. 1 is a perspective view of a tank embodying our new design;

FIG. 2 is a rear view of the tank;

FIG. 3 is a left view of the tank which mirrors the right view of the tank;

FIG. 4 is a front view of the tank;

FIG. 5 is a top view of the tank; and,

FIG. 6 is a bottom view of the tank.

See application file for complete search history.

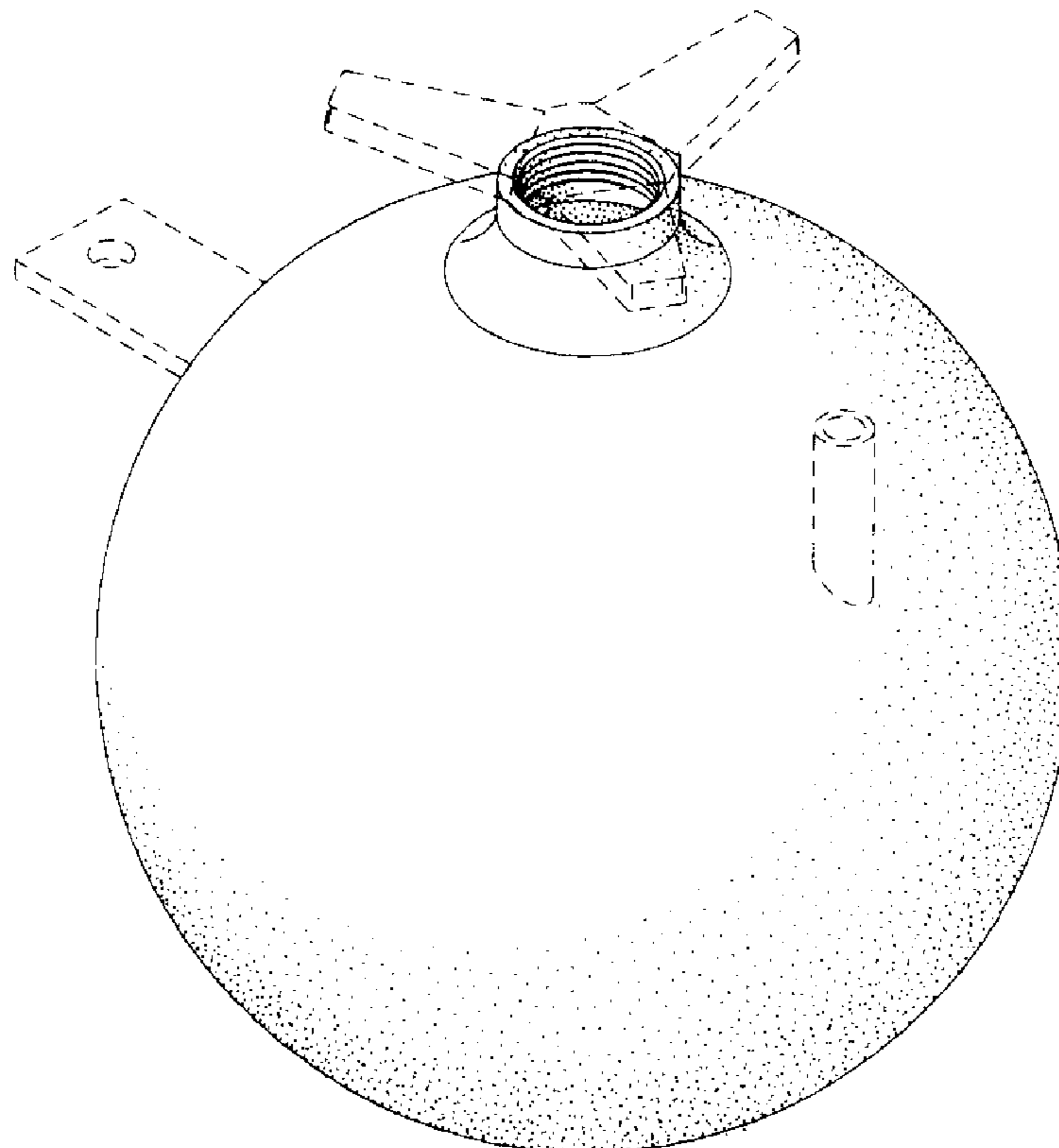
Any broken lines shown in the drawings are for illustrative purposes only and form no part of the claimed design.

(56) **References Cited**

U.S. PATENT DOCUMENTS

3,113,679 A * 12/1963 Smith 428/8 X

1 Claim, 2 Drawing Sheets



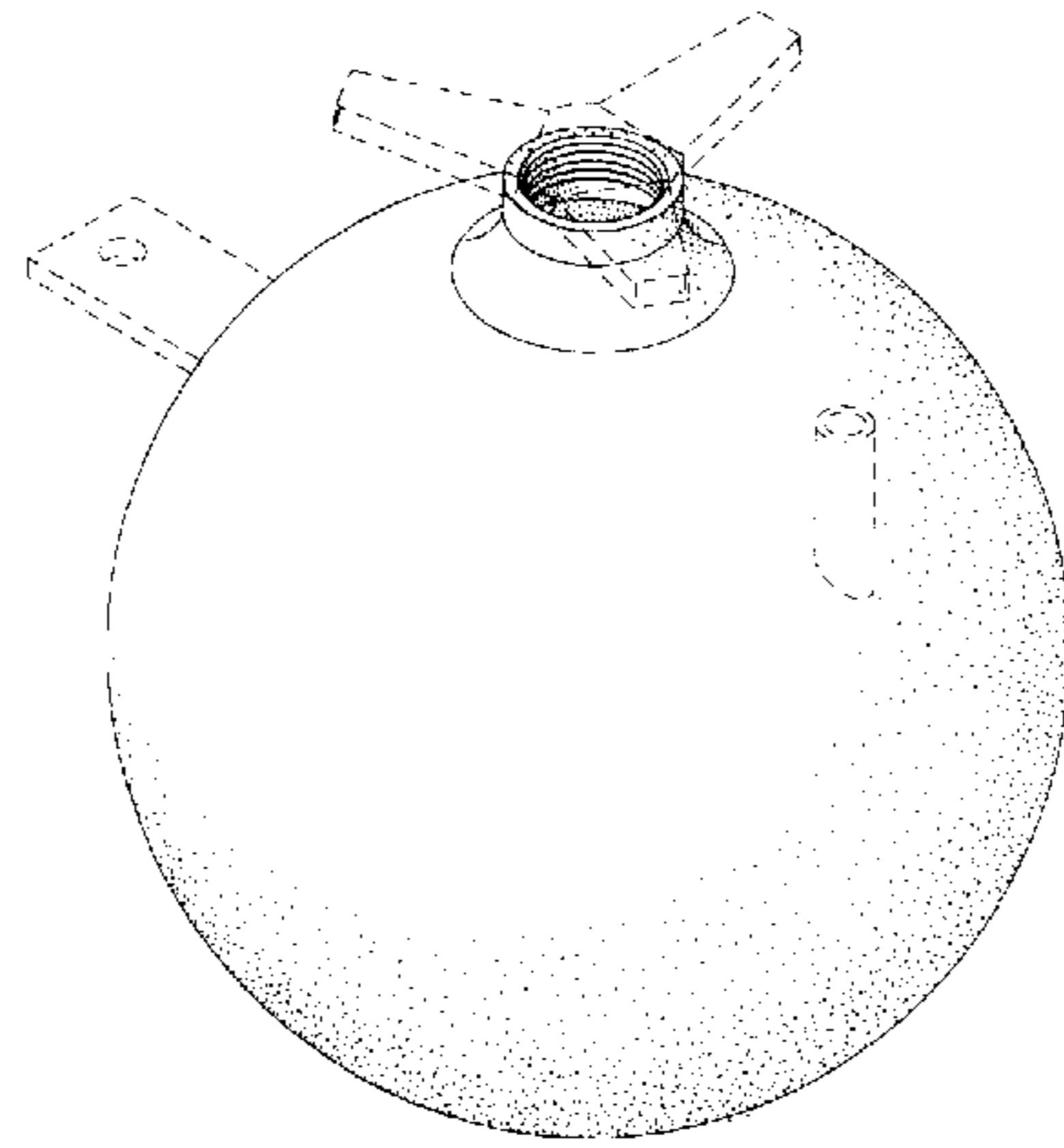


Fig. 1

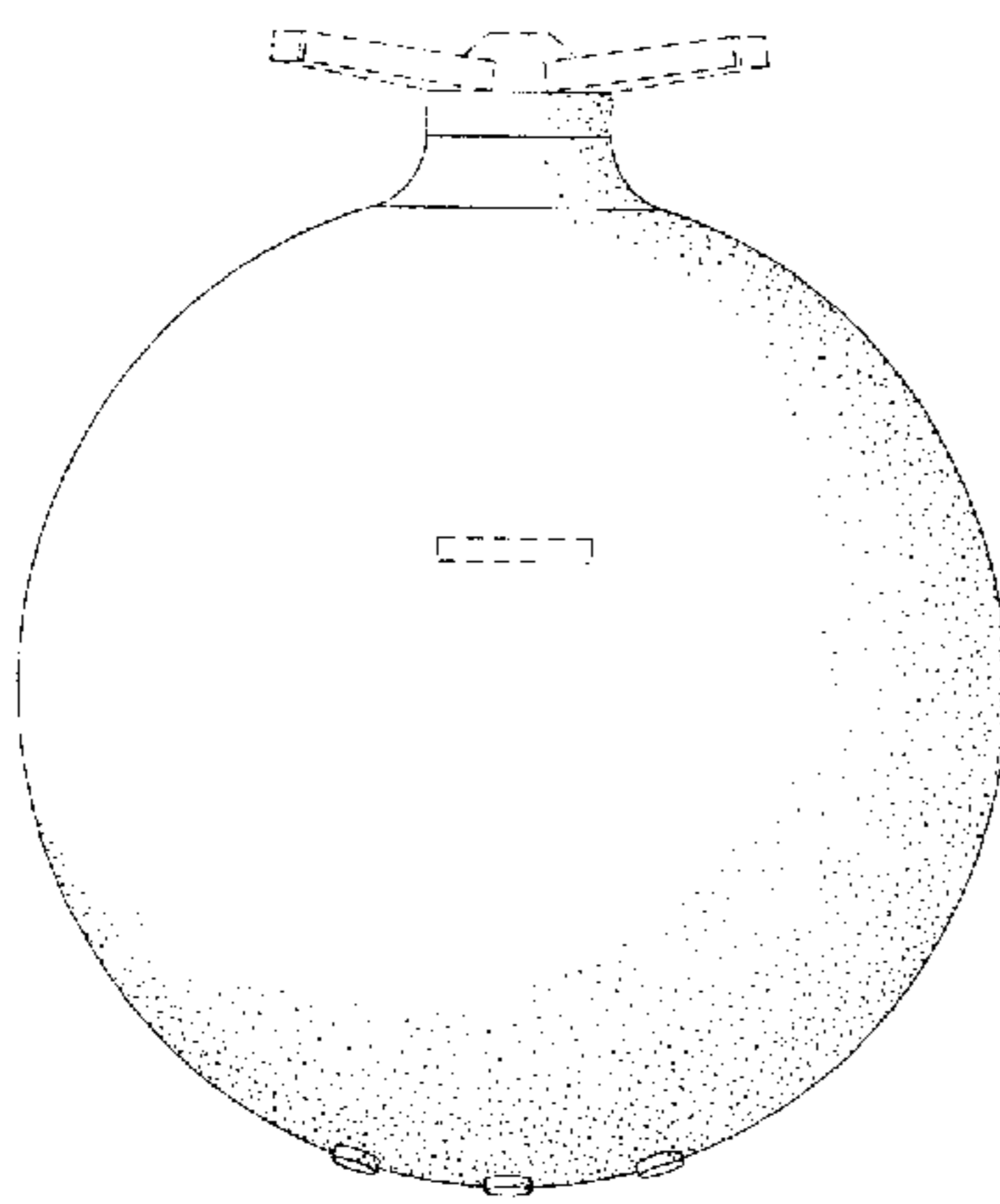


Fig. 2

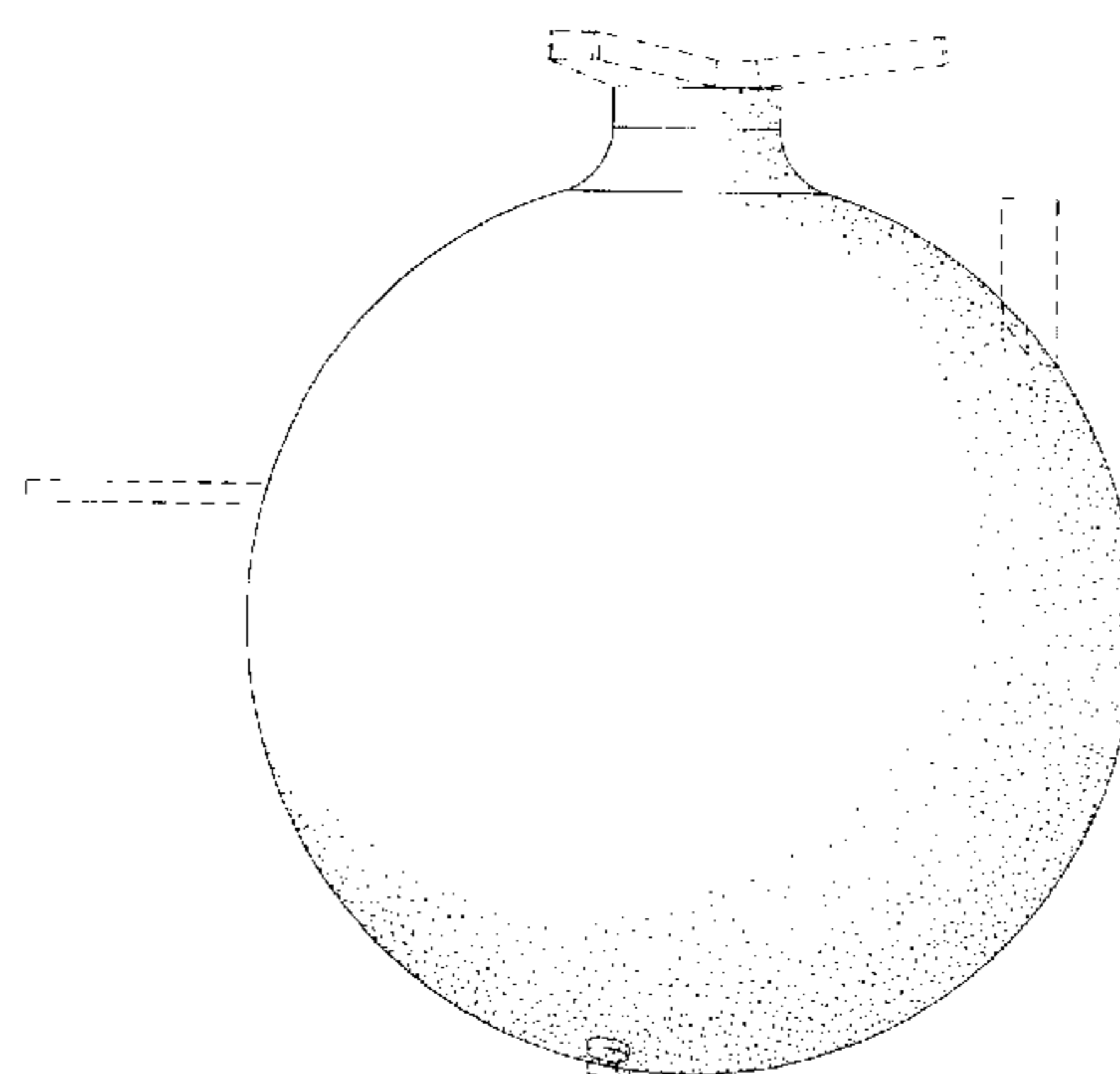


Fig. 3

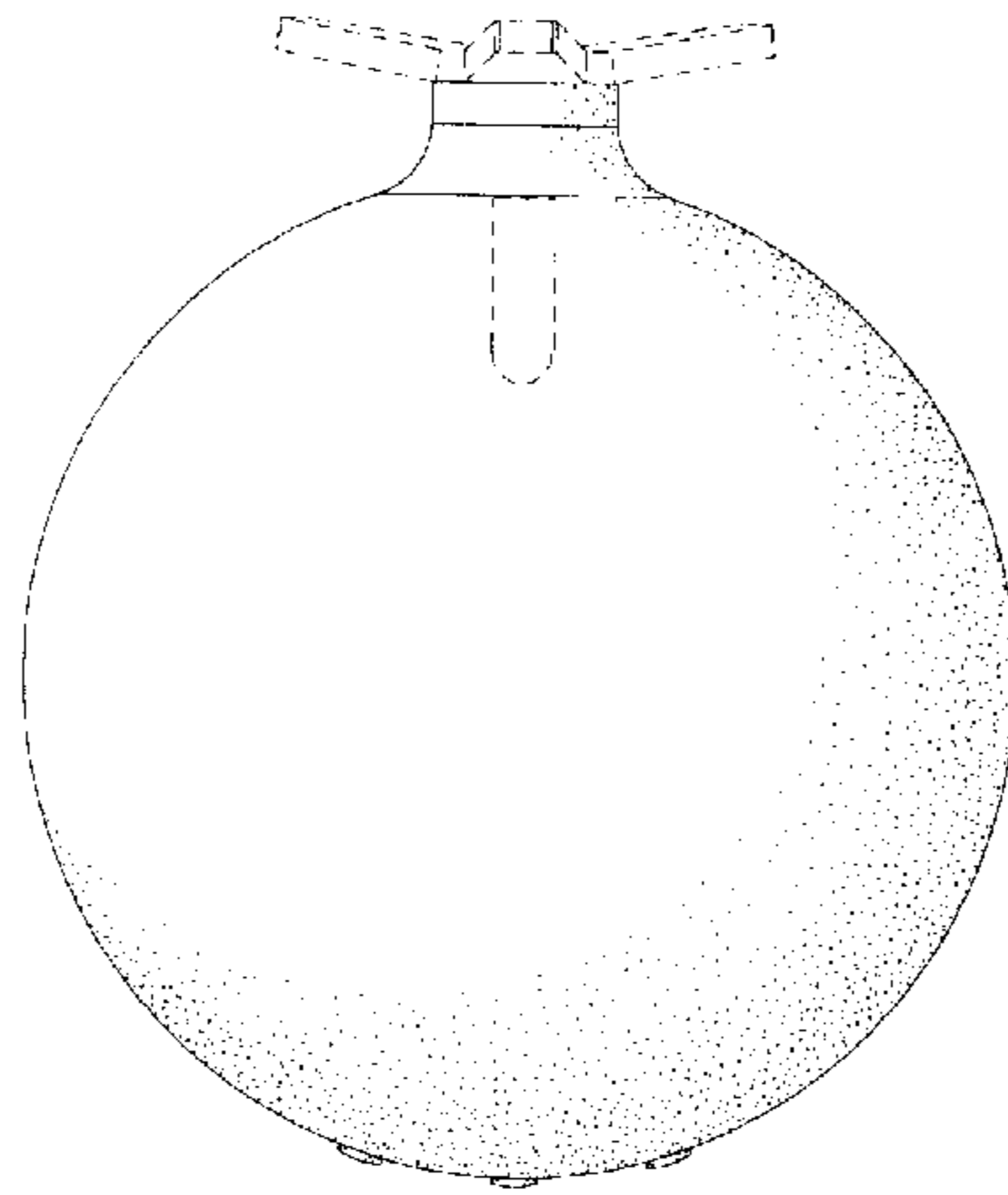


Fig. 4

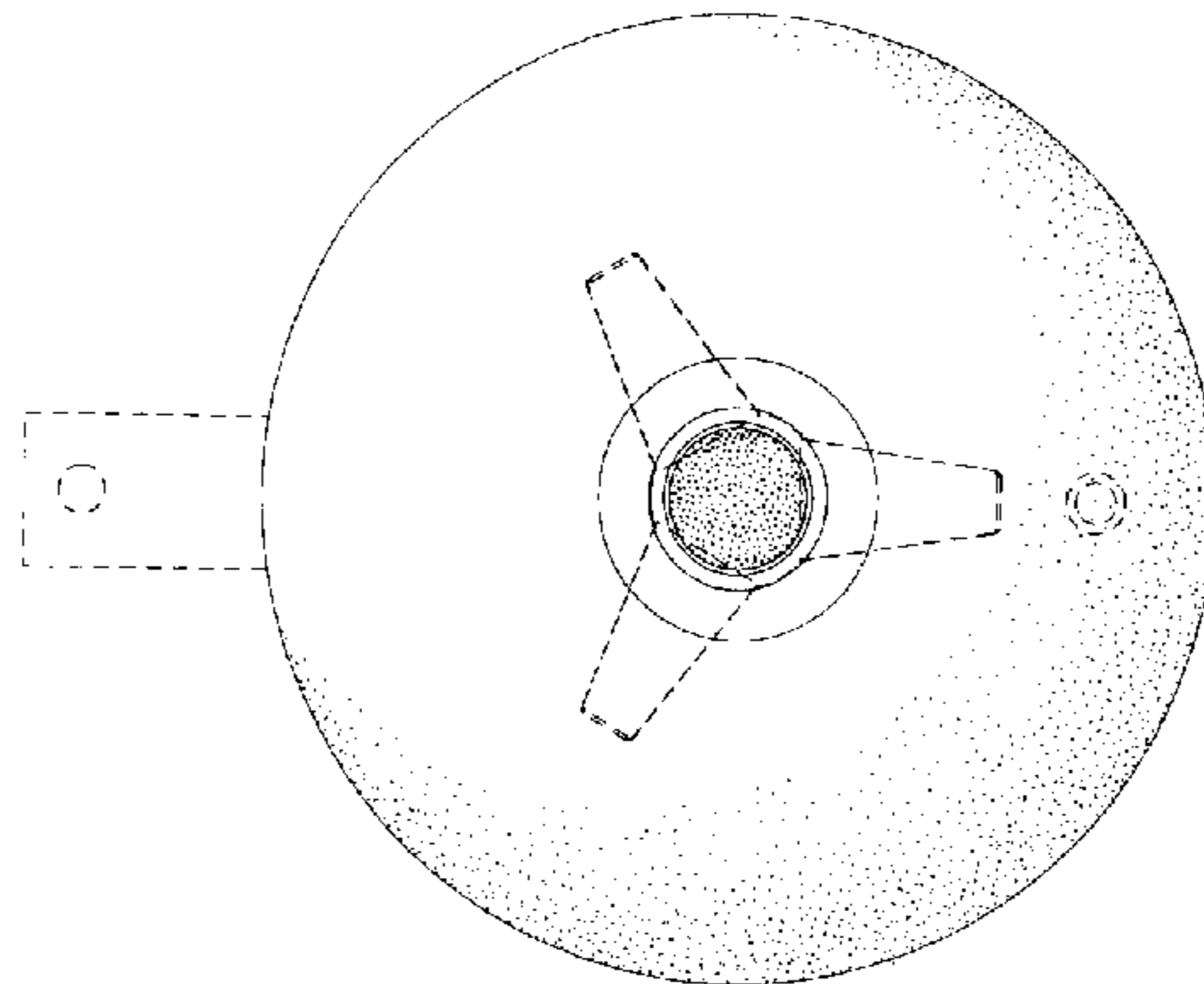


Fig. 5

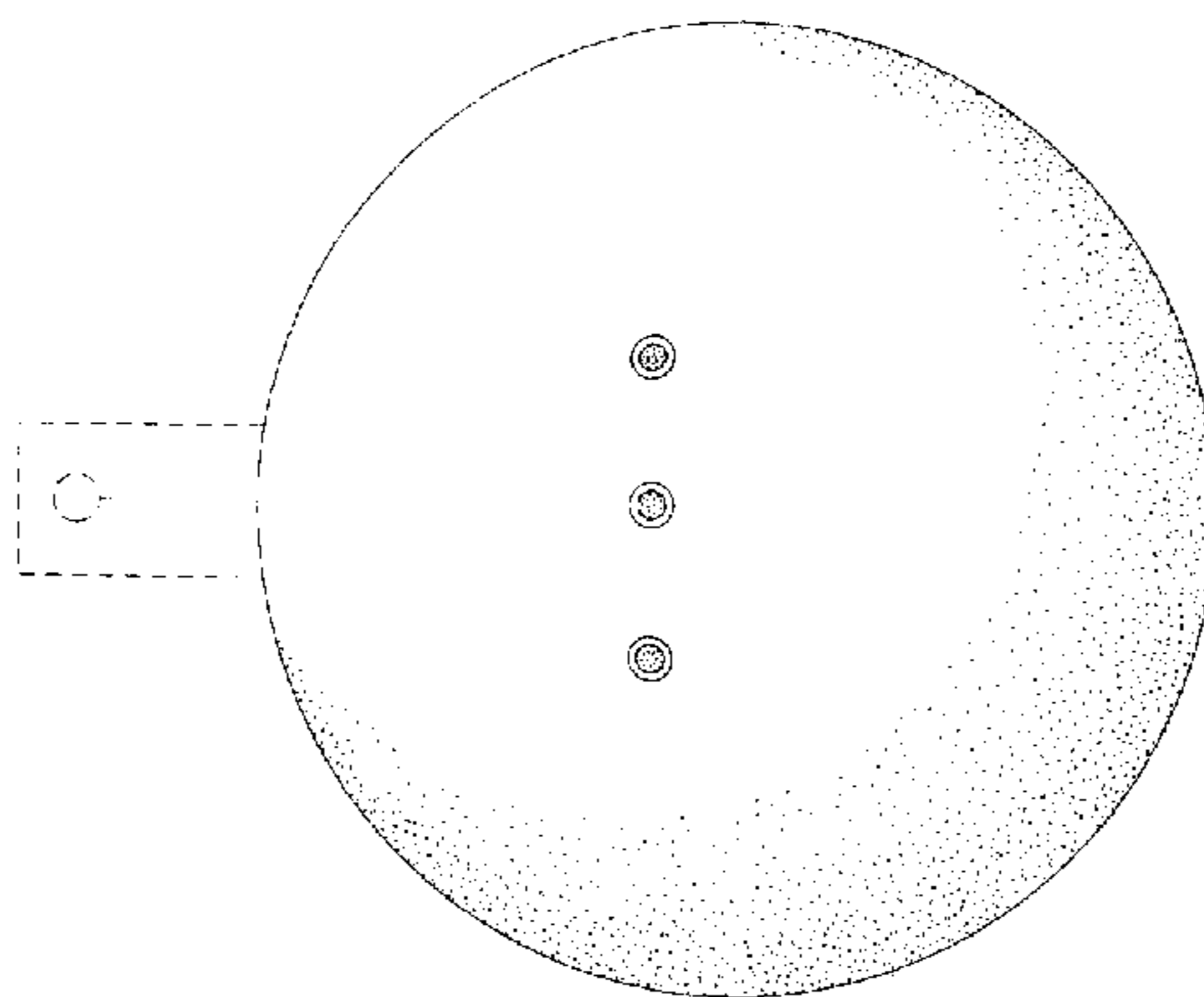


Fig. 6