

US00D540730S

(12) **United States Design Patent**  
**Musser**

(10) **Patent No.:** **US D540,730 S**

(45) **Date of Patent:** **\*\* Apr. 17, 2007**

(54) **VEHICLE WHEEL**

(75) Inventor: **Scott Musser**, Chino Hills, CA (US)

(73) Assignee: **Prestige Autotech Corporation**, Chino, CA (US)

(\*\*) Term: **14 Years**

(21) Appl. No.: **29/268,058**

(22) Filed: **Oct. 27, 2006**

(51) **LOC (8) Cl.** ..... **12-16**

(52) **U.S. Cl.** ..... **D12/209**

(58) **Field of Classification Search** ..... D12/204-213;  
301/37.101, 64.101, 65

See application file for complete search history.

(56) **References Cited**

**U.S. PATENT DOCUMENTS**

D455,696 S	*	4/2002	Foose	.....	D12/209
D455,700 S	*	4/2002	Foose	.....	D12/209
D461,155 S	*	8/2002	Takechi	.....	D12/209
D471,499 S	*	3/2003	Cahyono	.....	D12/209
D488,762 S	*	4/2004	Cahyono	.....	D12/209
D494,523 S	*	8/2004	Koenigsburg	.....	D12/209

D494,918 S	*	8/2004	Kim	.....	D12/211
D499,682 S	*	12/2004	Kushartanto	.....	D12/209
D501,814 S	*	2/2005	Weld	.....	D12/209
D505,102 S	*	5/2005	Cahyono	.....	D12/209
D519,903 S	*	5/2006	Ditty	.....	D12/209
D523,386 S	*	6/2006	Khan	.....	D12/209
D529,427 S	*	10/2006	Kim	.....	D12/209

\* cited by examiner

*Primary Examiner*—Stacia Cadmus

(74) *Attorney, Agent, or Firm*—Fulwider Patton LLP

(57) **CLAIM**

The ornamental design for a “vehicle wheel,” as shown and described.

**DESCRIPTION**

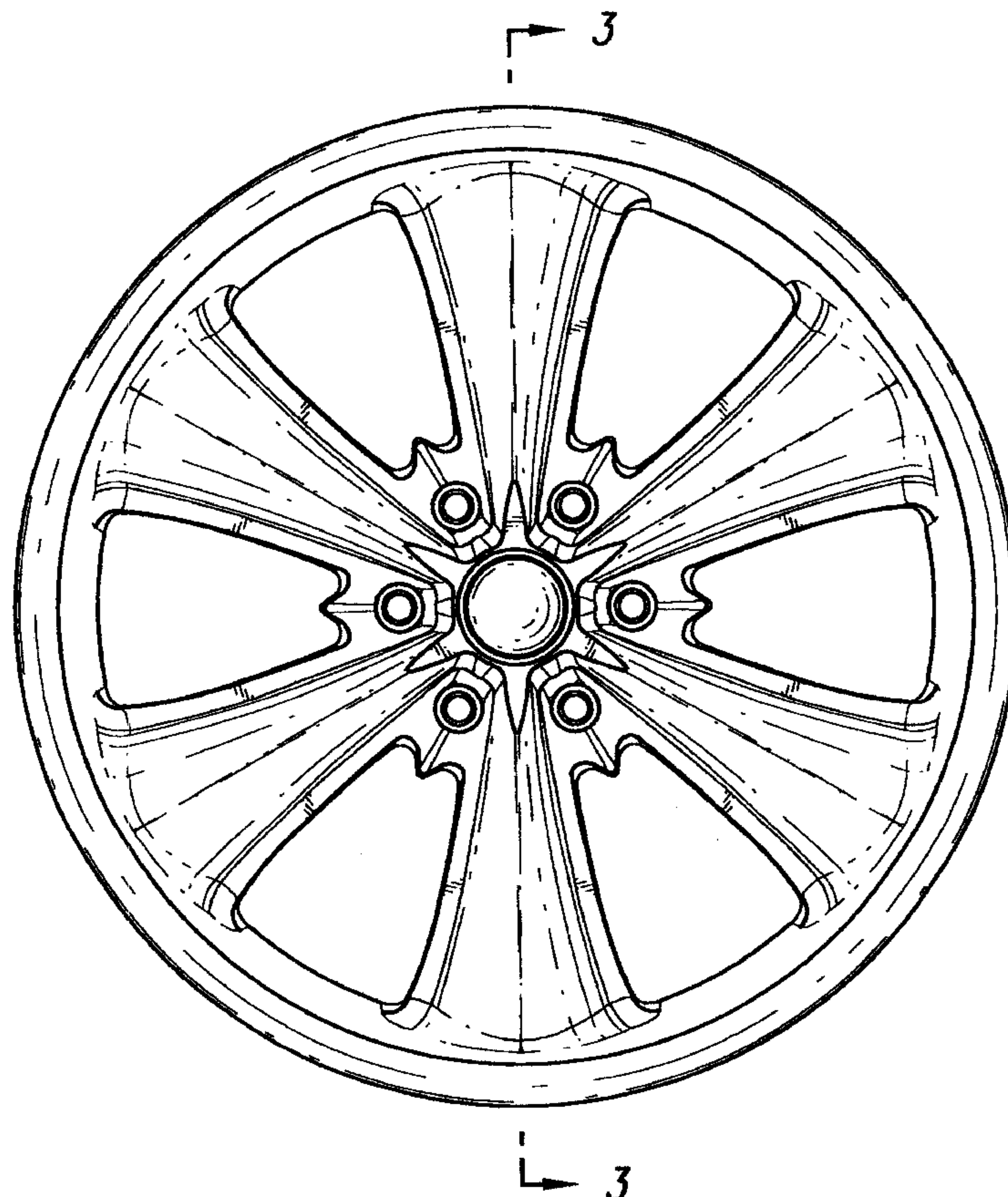
FIG. 1 is a perspective view of the vehicle wheel showing my new design;

FIG. 2 is a front elevational view thereof; and,

FIG. 3 is a cross-sectional view taken along the lines of 3—3 of FIG. 2.

The broken line showing the environment is for illustrative purposes only and form no part of the claimed design.

**1 Claim, 3 Drawing Sheets**



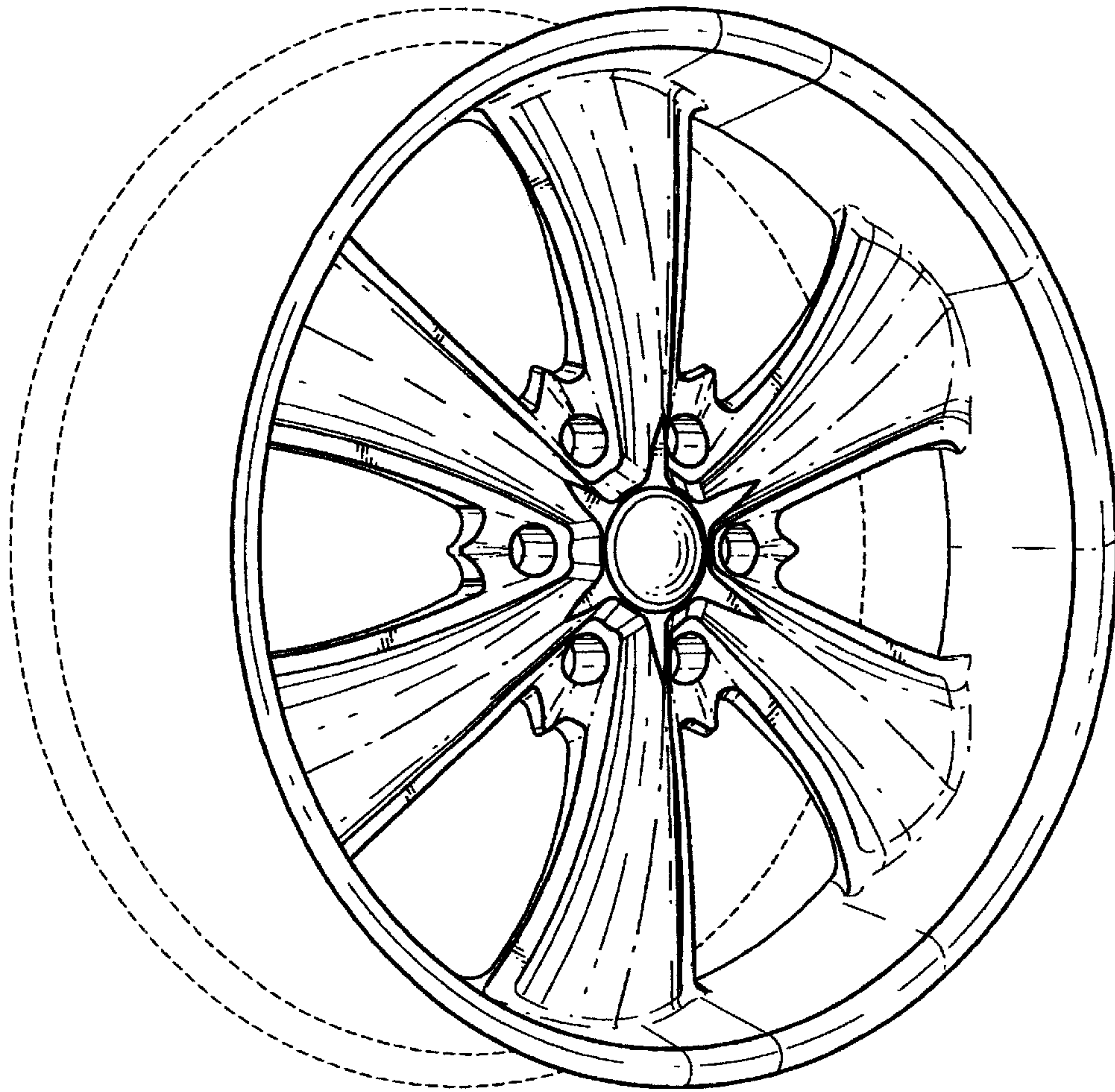


FIG. 1

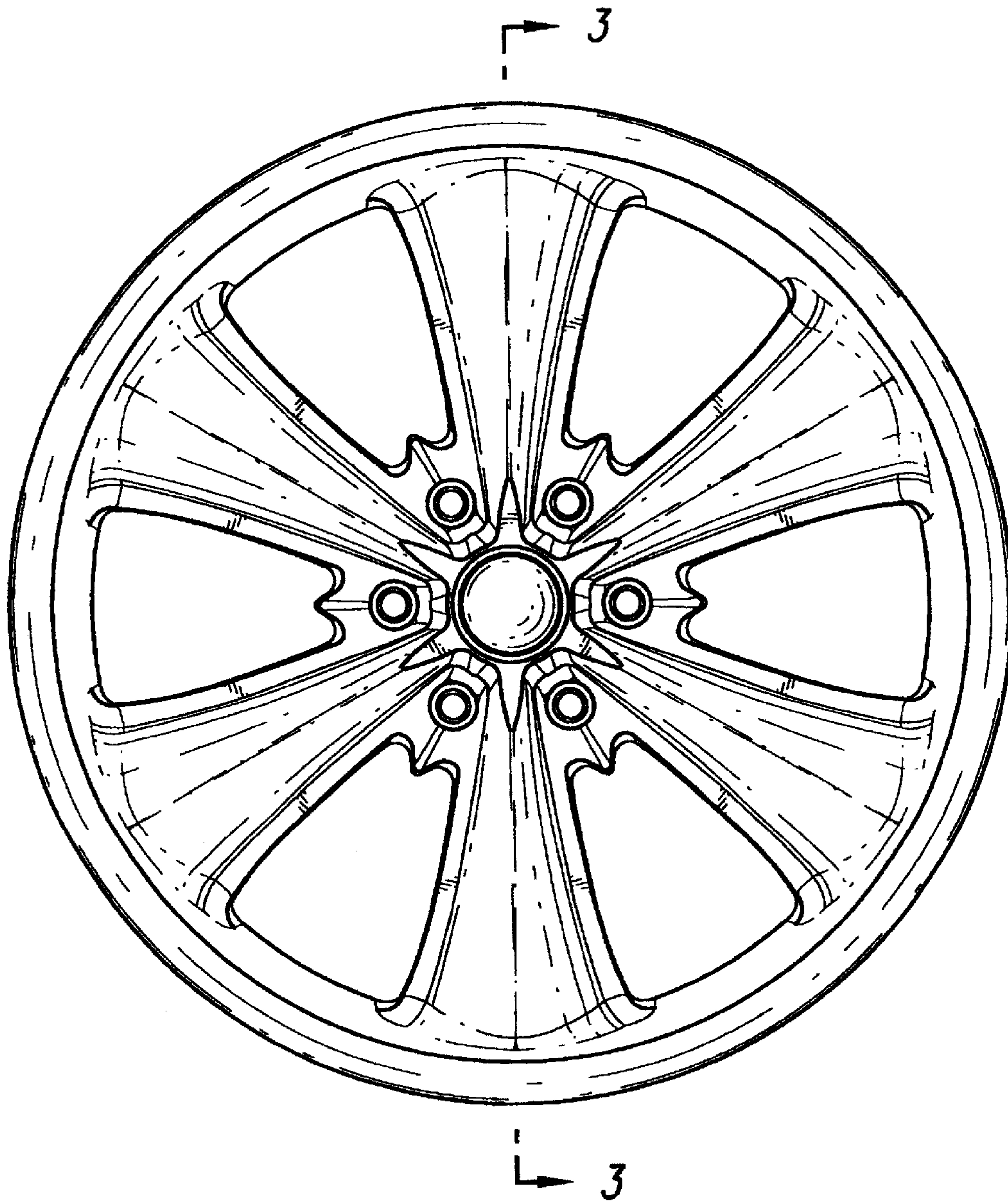


FIG. 2



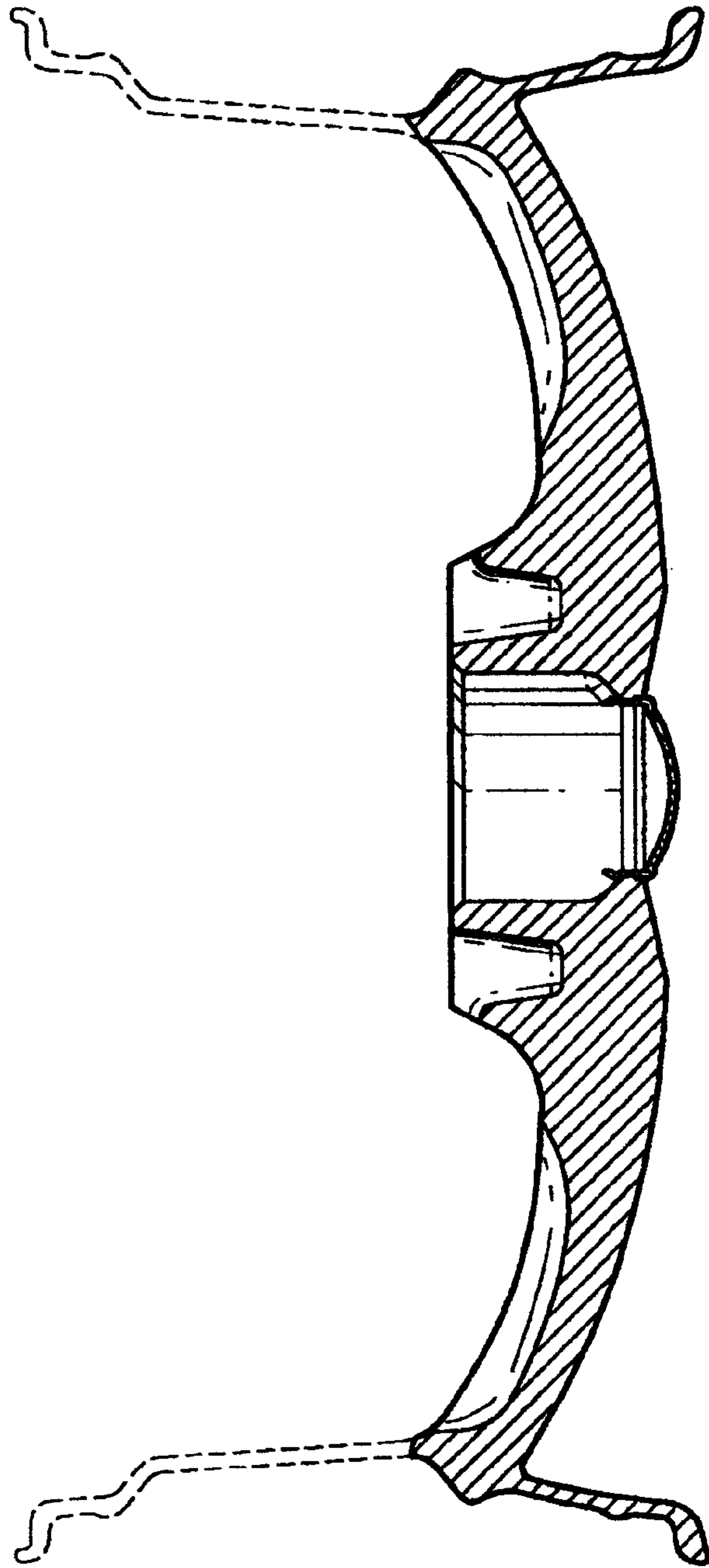


FIG. 3