

US00D540721S

(12) **United States Design Patent**
Wagner et al.

(10) **Patent No.:** **US D540,721 S**

(45) **Date of Patent:** **** Apr. 17, 2007**

(54) **AUTOMOBILE GRILLE**

D495,624 S	9/2004	Dolan et al.	
D516,956 S	* 3/2006	Bucci et al. D12/91
D522,917 S	* 6/2006	Wagner et al. D12/91
D526,935 S	* 8/2006	Wagner et al. D12/91

(75) Inventors: **Lance R Wagner**, Lake Orion, MI (US); **Michael H Nicholas**, Troy, MI (US)

* cited by examiner

(73) Assignee: **DaimlerChrysler Corporation**, Auburn Hills, MI (US)

Primary Examiner—Melody N. Brown

(**) Term: **14 Years**

(74) *Attorney, Agent, or Firm*—Ralph E. Smith

(21) Appl. No.: **29/253,533**

(57) **CLAIM**

(22) Filed: **Feb. 8, 2006**

The ornamental design for an automobile grille, as shown and described.

Related U.S. Application Data

DESCRIPTION

(62) Division of application No. 29/231,994, filed on Jun. 13, 2005, now Pat. No. Des. 522,917.

(51) **LOC (8) Cl.** **12-16**

(52) **U.S. Cl.** **D12/163**

(58) **Field of Classification Search** D12/163, D12/171, 90-92, 86; 180/68.1, 68.6; 296/193.1
See application file for complete search history.

FIG. 1 is a front perspective view of an automobile grille showing our new design; and,

FIG. 2 is a front view thereof.

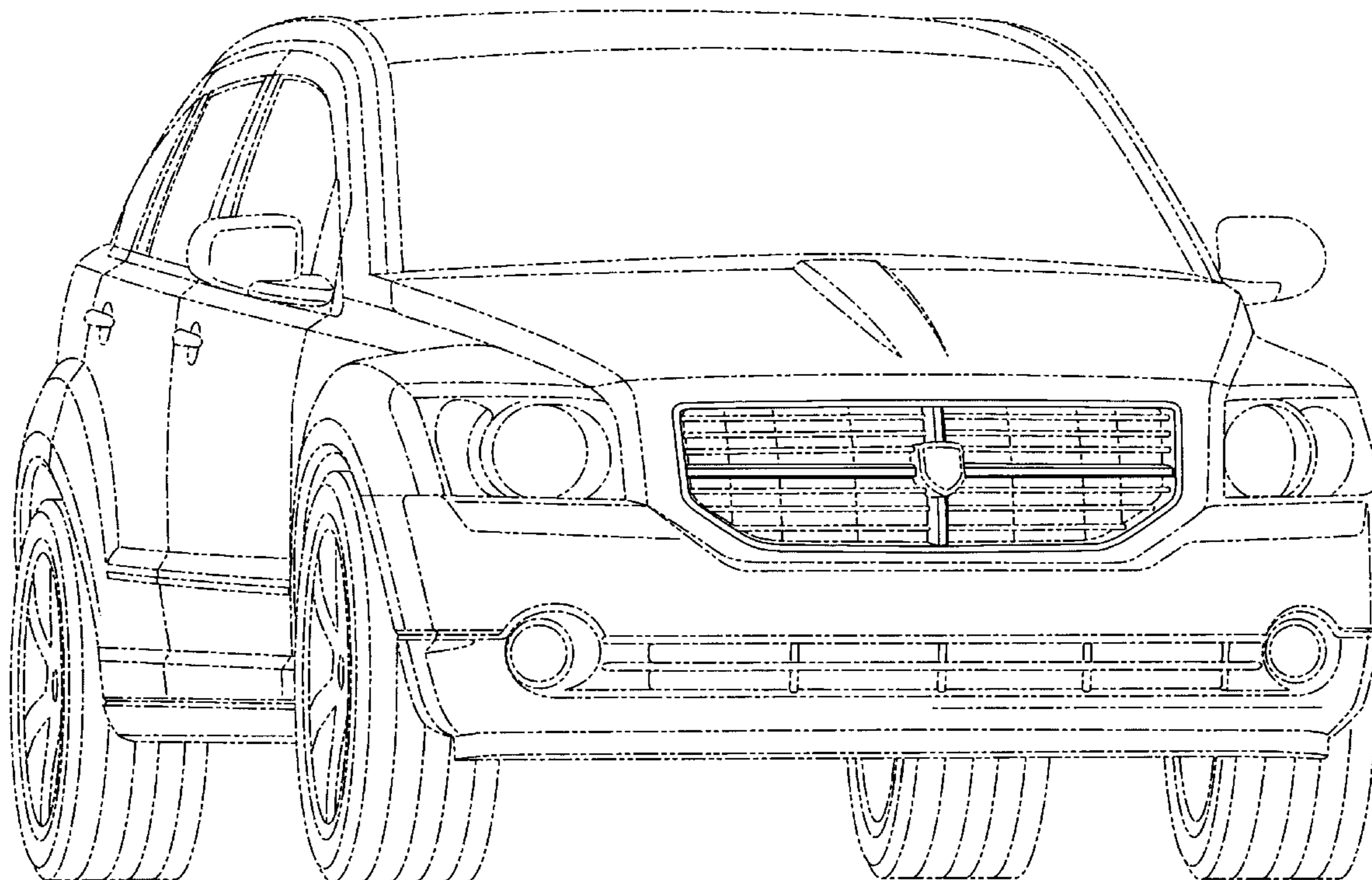
It will be understood that the broken lines presented in the drawings are for illustration only, and do not form a part of the claimed design.

(56) **References Cited**

U.S. PATENT DOCUMENTS

D479,492 S 9/2003 Gale et al.

1 Claim, 2 Drawing Sheets



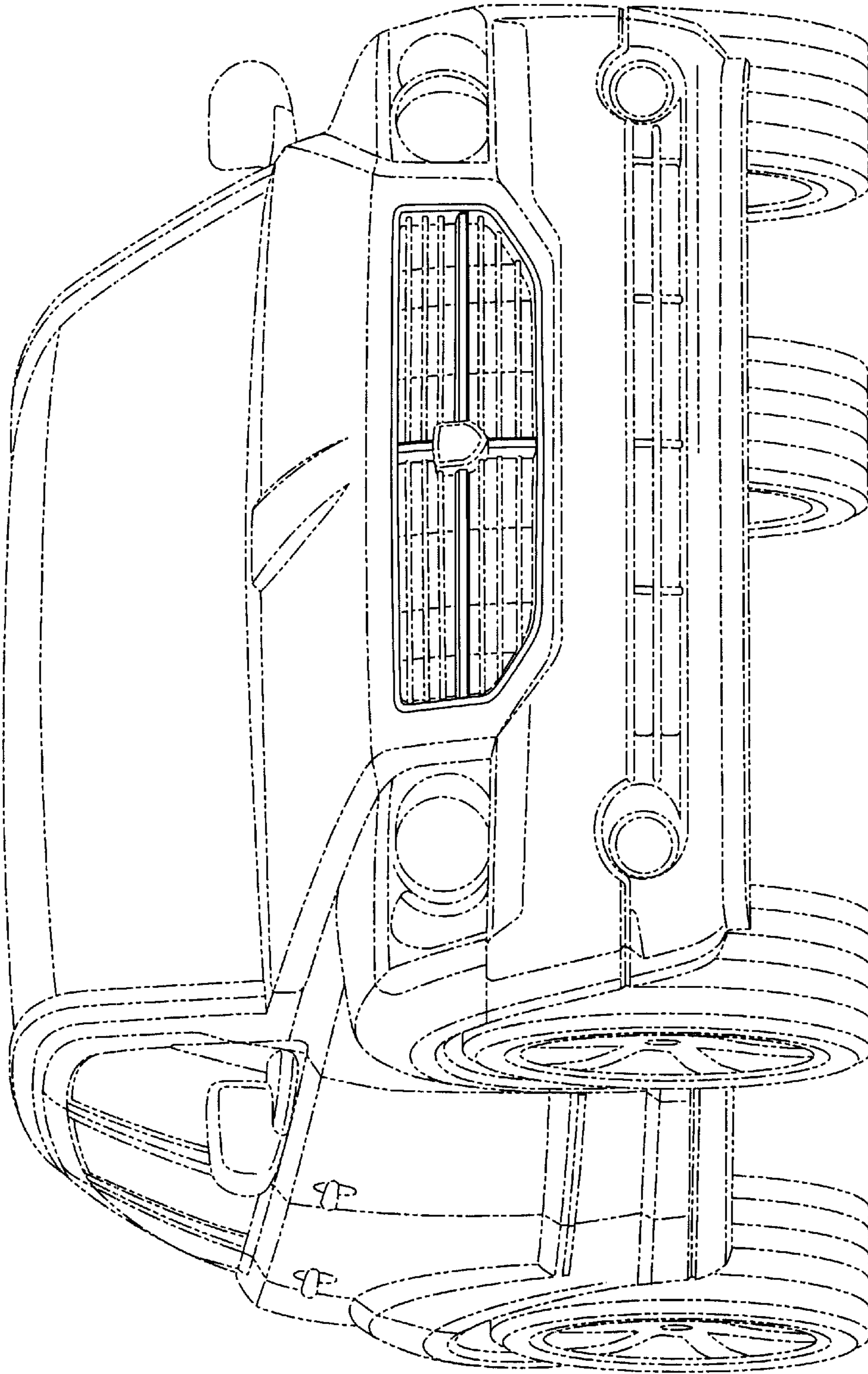


Fig. 1

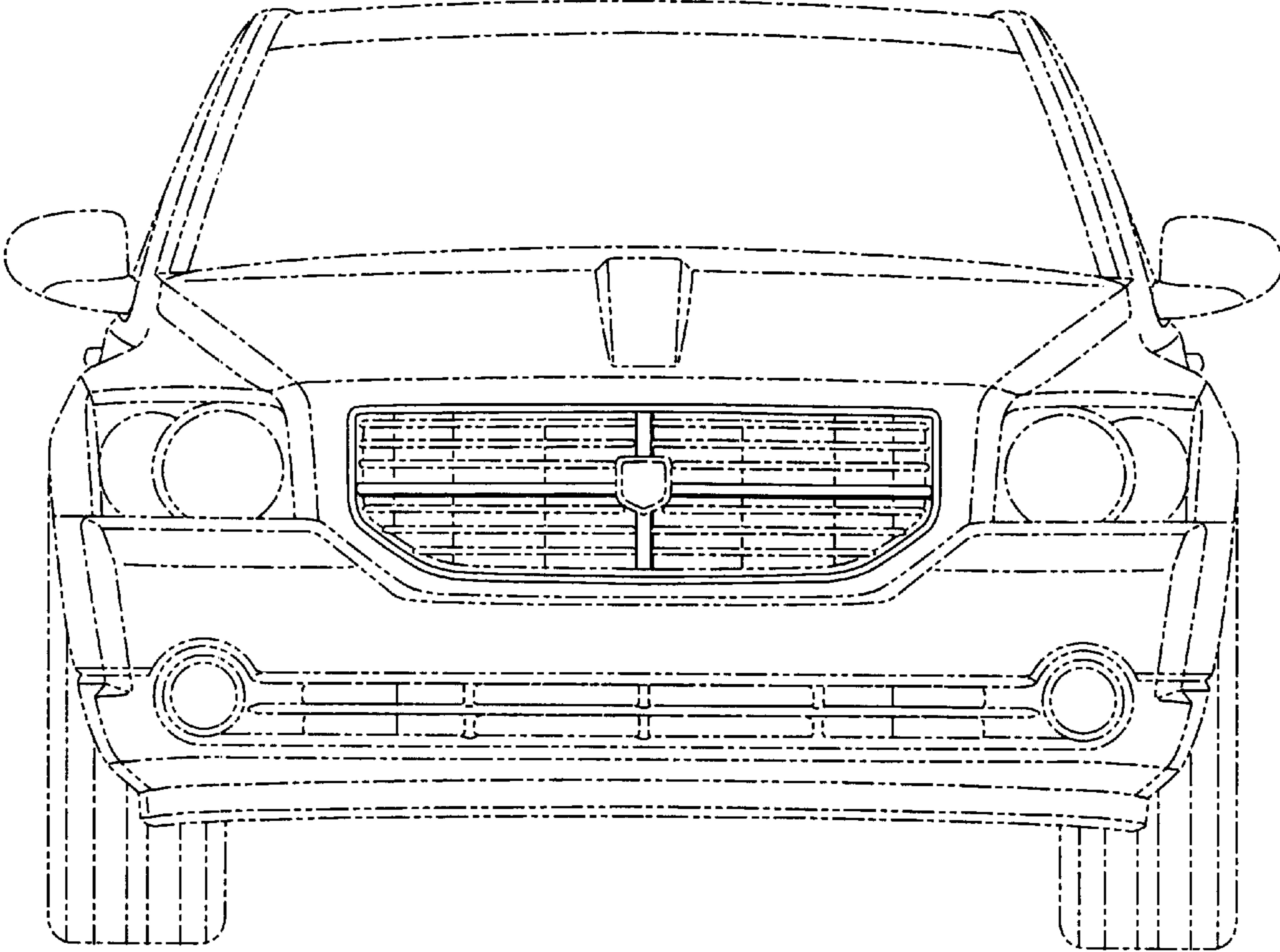


Fig. 2