



US00D540717S

(12) **United States Design Patent**
On

(10) **Patent No.:** **US D540,717 S**

(45) **Date of Patent:** **** *Apr. 17, 2007**

(54) **STEERING AND FOLDING TRICYCLE**

D470,082 S * 2/2003 Wu D12/112
6,575,486 B2 * 6/2003 Ma 280/287

(75) Inventor: **Yoram Bar On**, Sderot (IL)

* cited by examiner

(73) Assignee: **Smart Baby Toys**, Sheung Wan (HK)

Primary Examiner—Alan P. Douglas

Assistant Examiner—Linda Brooks

(*) Notice: This patent is subject to a terminal disclaimer.

(74) *Attorney, Agent, or Firm*—Dekel Patent Ltd; David Klein

(**) Term: **14 Years**

(57) **CLAIM**

(21) Appl. No.: **29/256,599**

The ornamental design for a steering and folding tricycle, as shown and described.

(22) Filed: **Mar. 23, 2006**

DESCRIPTION

(51) **LOC (8) Cl.** **12-11**

(52) **U.S. Cl.** **D12/112**

(58) **Field of Classification Search** D12/112,
D12/113; 280/278, 282, 287, 281.1, 288.1,
280/288.2, 288.3, 62, 263, 270, 271; D21/432,
D21/435; 446/440

The nature and intended use of the article in which the design is embodied is that of a human-powered, steering and folding tricycle for children and the like.

FIG. 1 is a front view of a steering and folding tricycle showing my new design;

FIG. 2 is a perspective view thereof;

FIG. 3 is a side view thereof; and,

FIG. 4 is a top view thereof.

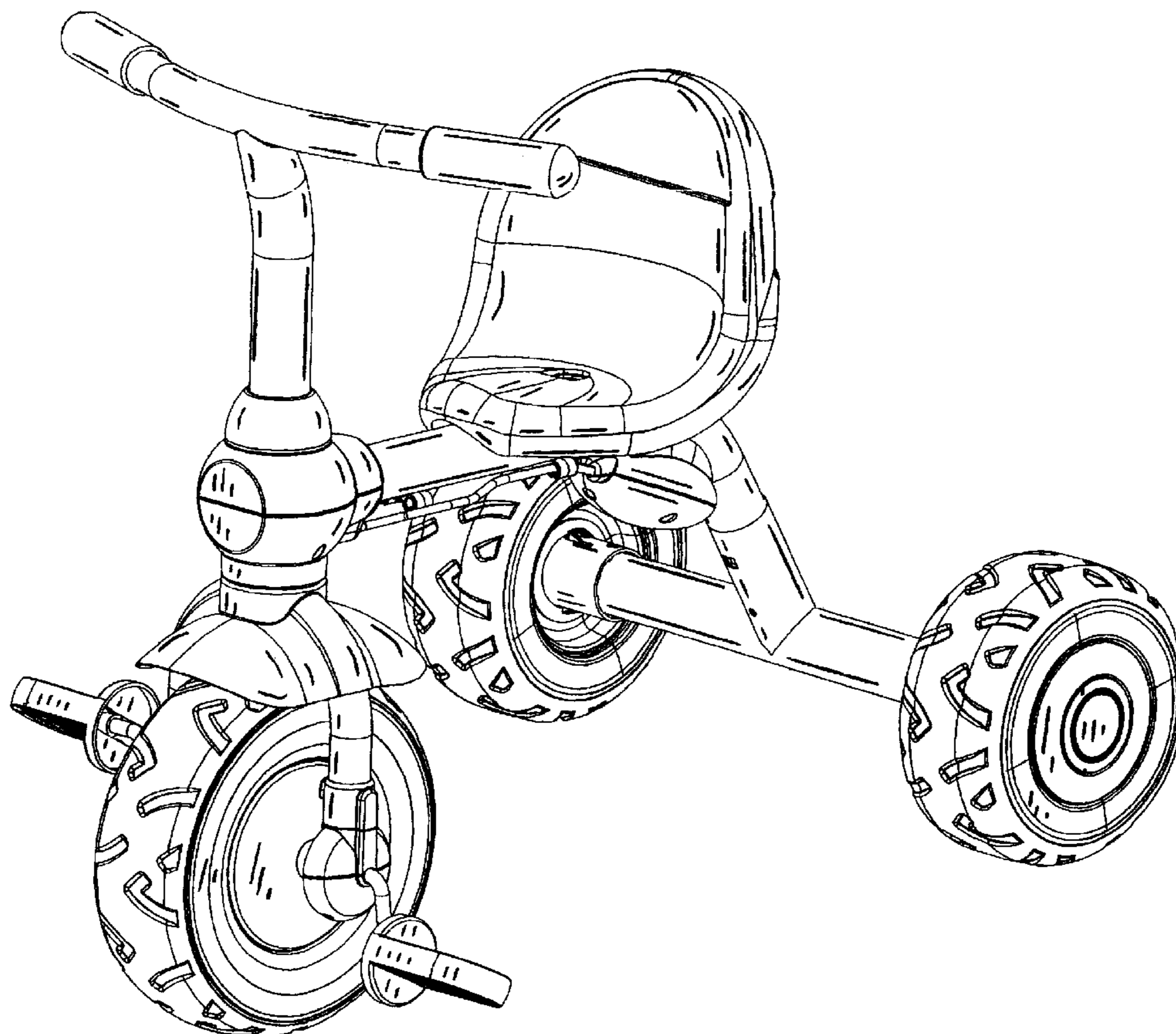
See application file for complete search history.

(56) **References Cited**

U.S. PATENT DOCUMENTS

6,152,473 A * 11/2000 Shih 280/278

1 Claim, 4 Drawing Sheets



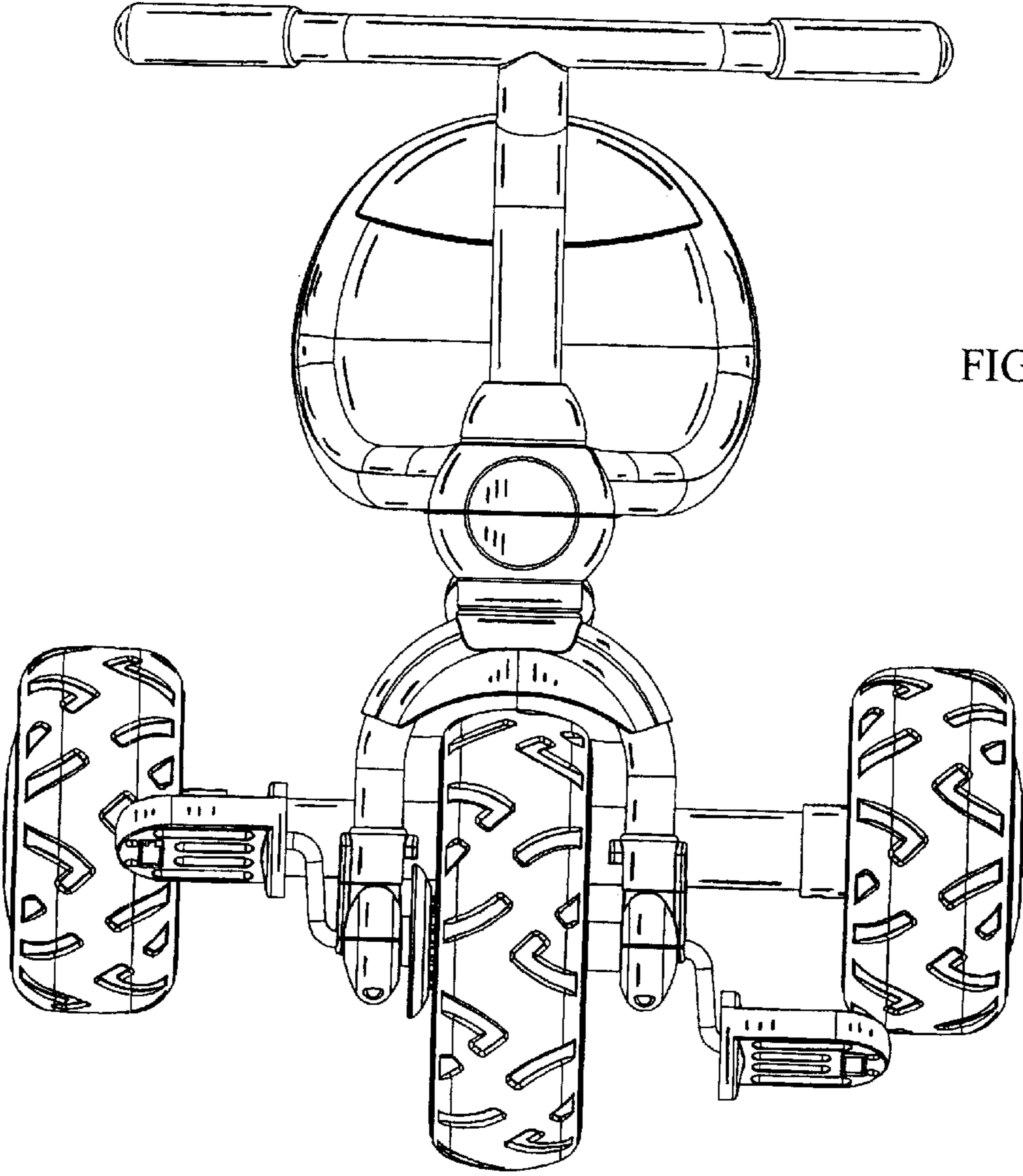


FIG. 1

FIG. 2

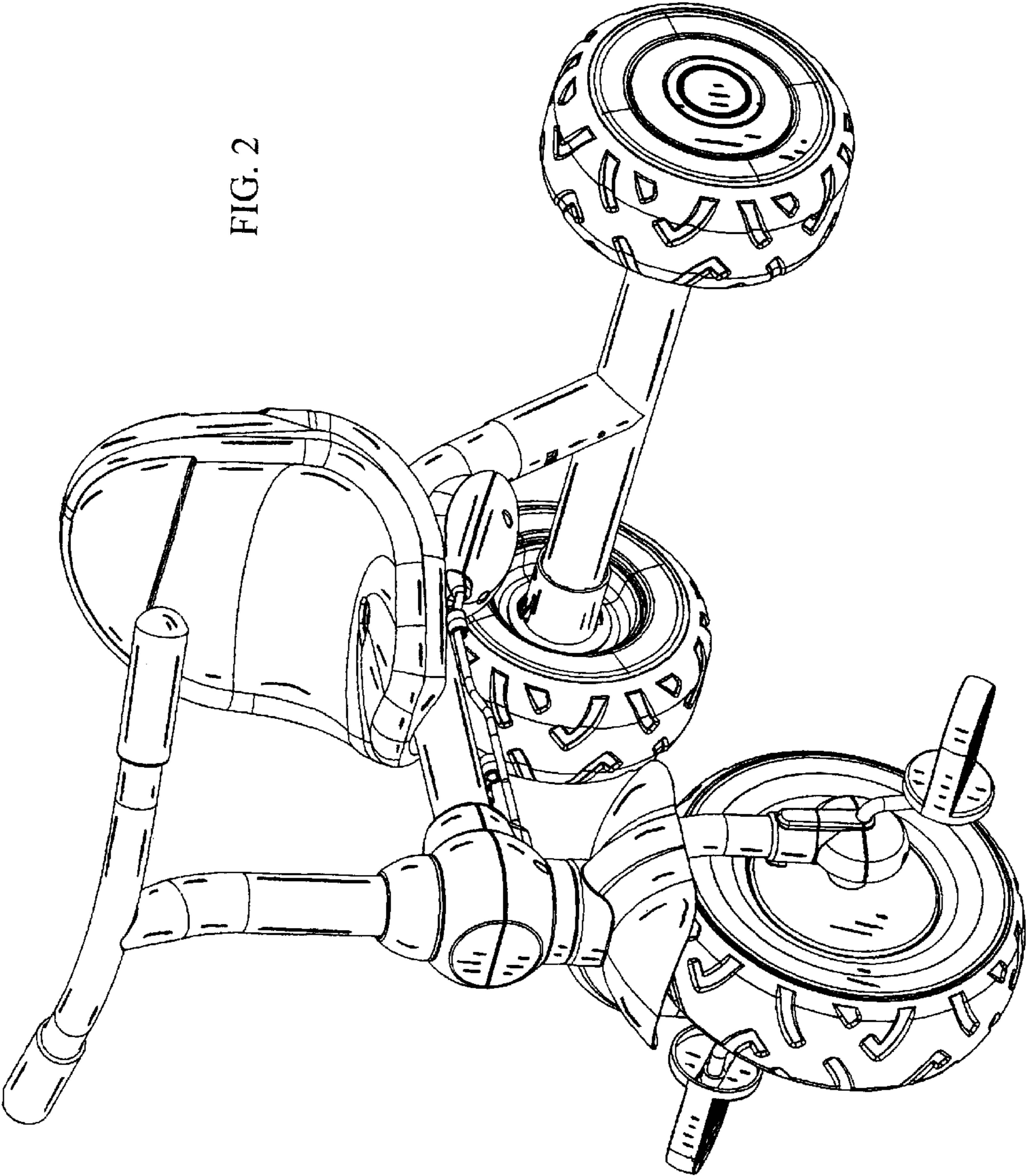
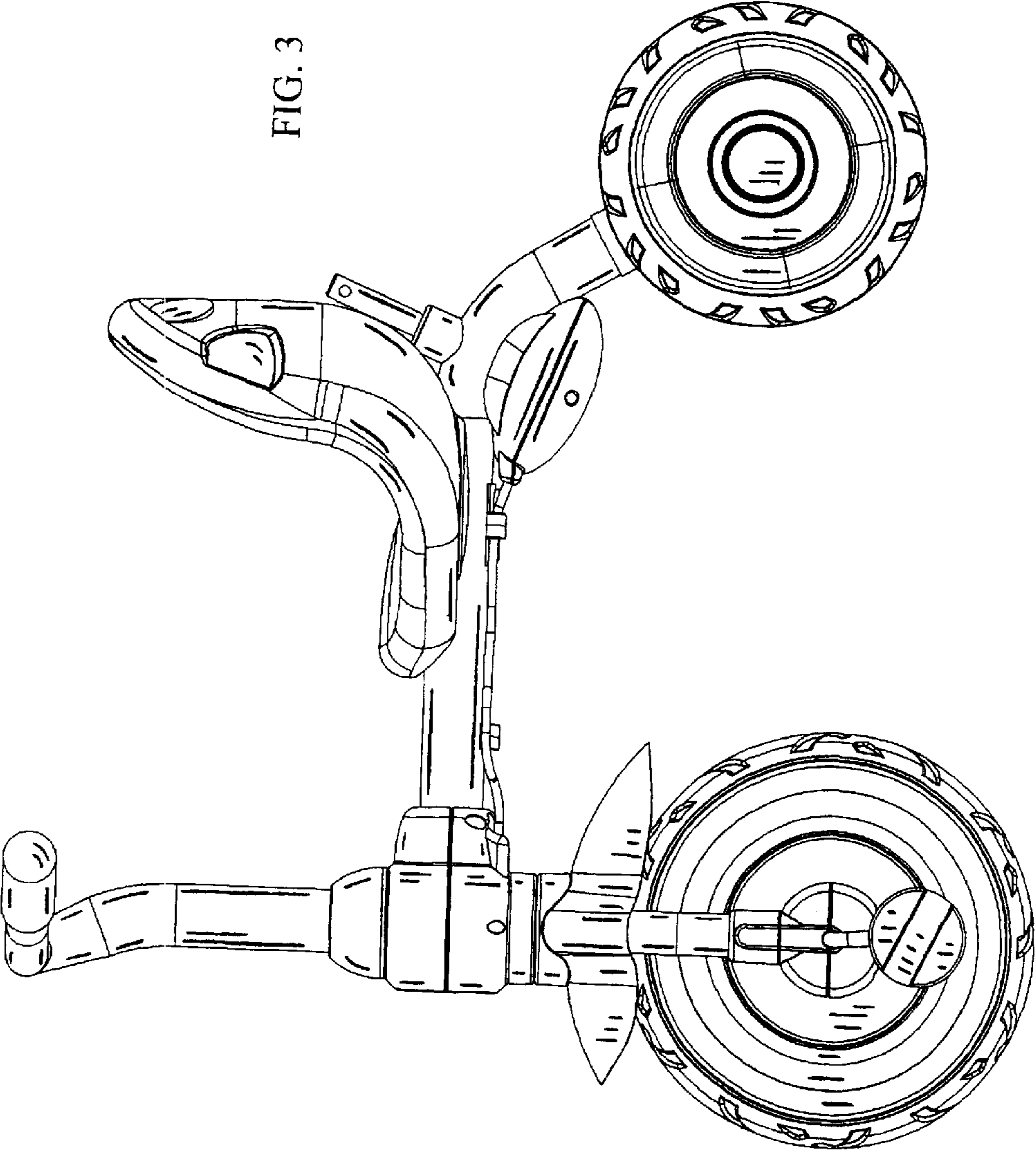


FIG. 3



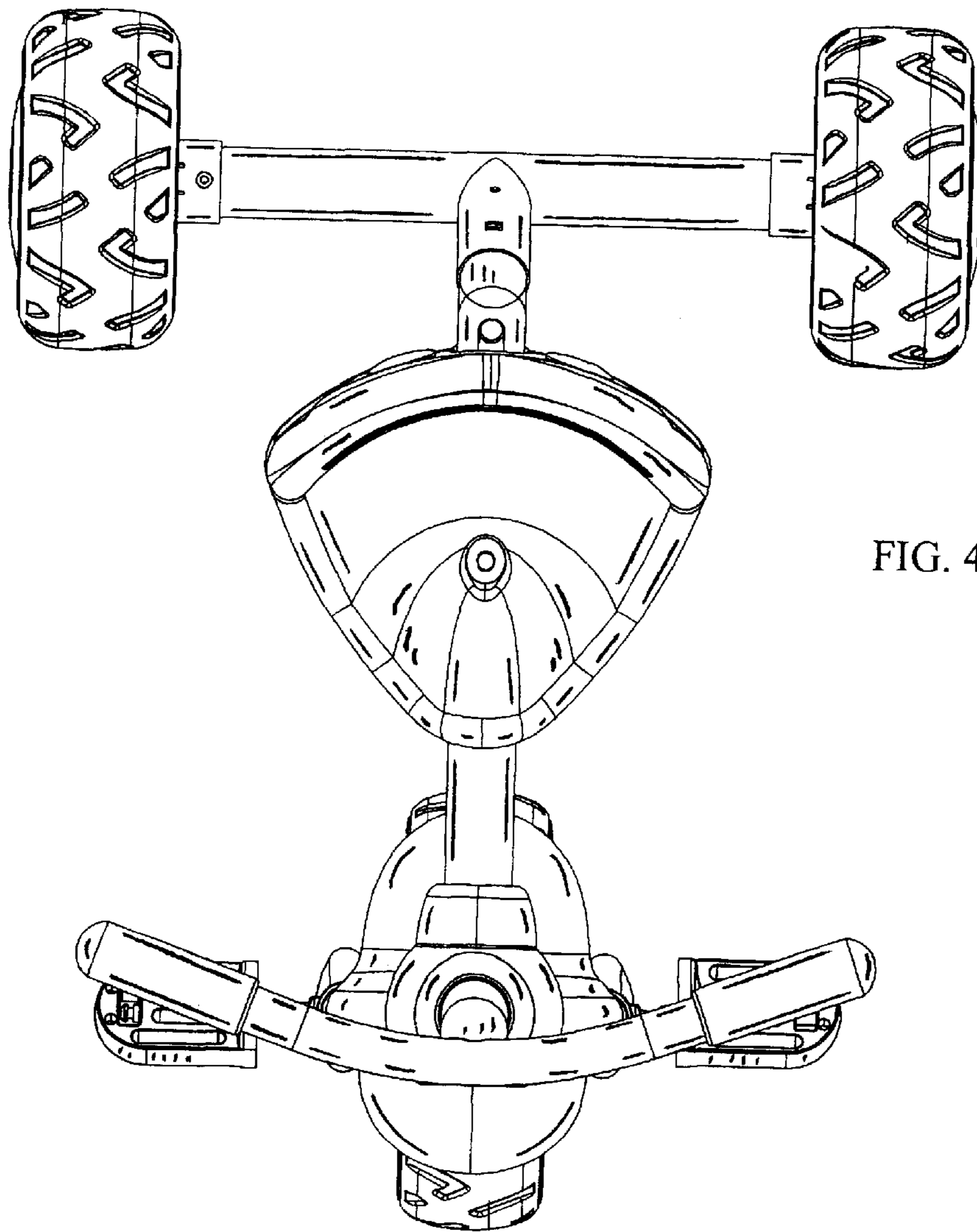


FIG. 4