



US00D540716S

(12) **United States Design Patent**  
**Mohr**

(10) **Patent No.:** **US D540,716 S**

(45) **Date of Patent:** **\*\* Apr. 17, 2007**

(54) **BICYCLE**

5,244,132 A \* 9/1993 Christen ..... 224/424  
D465,751 S \* 11/2002 Masui et al. .... D12/111

(75) Inventor: **Nai-Chien Mohr**, Taipei (TW)

\* cited by examiner

(73) Assignee: **Giant Manufacturing Co., Ltd.**,  
Taichung Hsien (TW)

*Primary Examiner*—Alan P. Douglas

*Assistant Examiner*—Linda Brooks

(\*\*) Term: **14 Years**

(74) *Attorney, Agent, or Firm*—Harness, Dickey & Pierce,  
P.L.C.

(21) Appl. No.: **29/255,407**

(57) **CLAIM**

(22) Filed: **Mar. 9, 2006**

The ornamental design for a bicycle, as shown and described.

(51) **LOC (8) Cl.** ..... **12-11**

(52) **U.S. Cl.** ..... **D12/111**

(58) **Field of Classification Search** ..... D12/111,  
D12/407; 280/274–278, 283–288, 281.1,  
280/288.1, 288.2, 288.3, 288.4, 304.5; 224/42.11,  
224/412, 413, 419–427

See application file for complete search history.

**DESCRIPTION**

FIG. 1 is a perspective view of a bicycle showing my new design;

FIG. 2 is a front elevational view thereof;

FIG. 3 is a rear elevational view thereof;

FIG. 4 is a left side elevational view thereof;

FIG. 5 is a right side elevational view thereof;

FIG. 6 is a top plan view thereof; and,

FIG. 7 is a bottom plan view thereof.

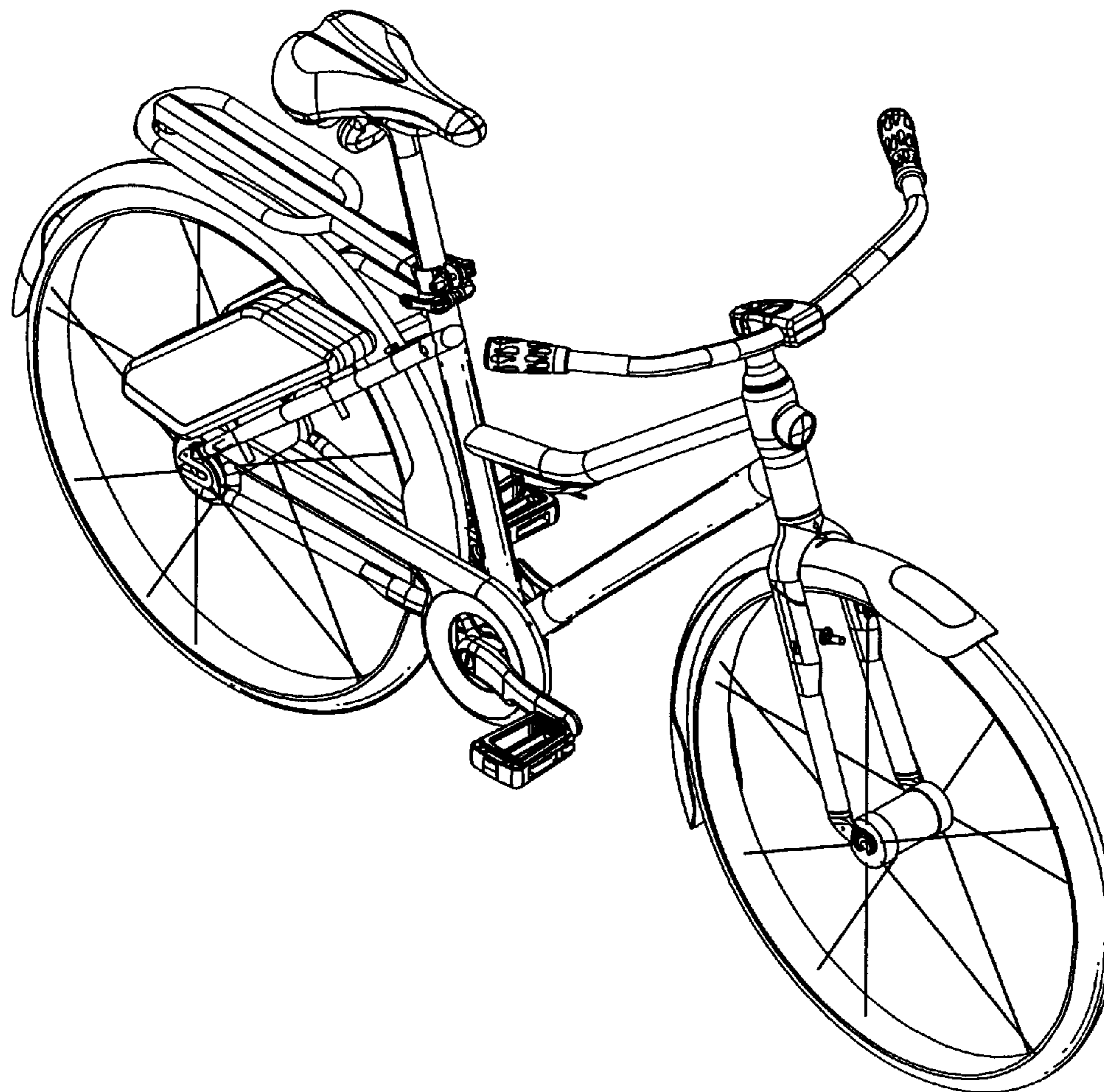
(56) **References Cited**

**U.S. PATENT DOCUMENTS**

1,963,333 A \* 6/1934 Morales ..... 224/422

3,970,229 A \* 7/1976 Norinsky ..... 224/417

**1 Claim, 7 Drawing Sheets**



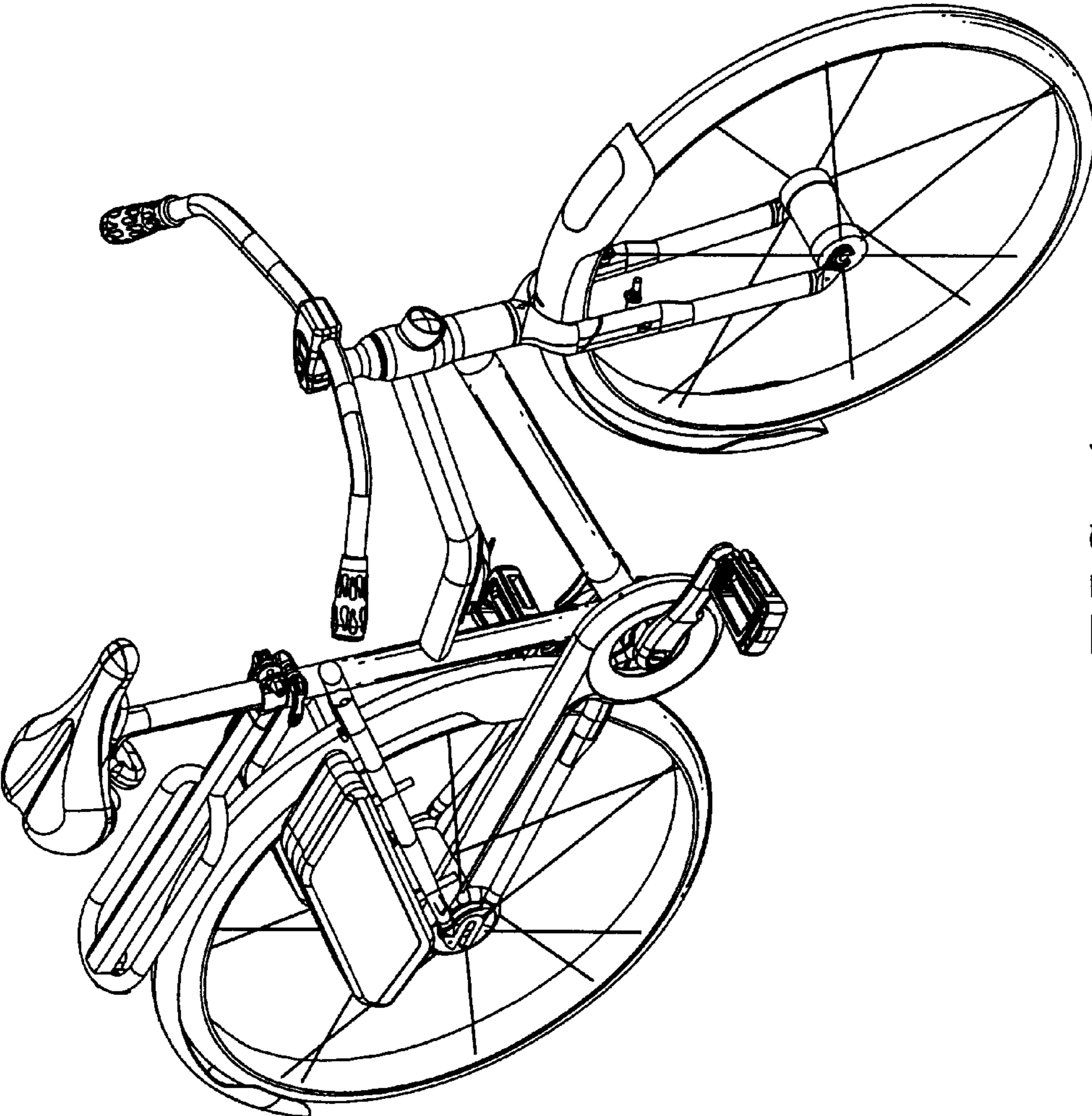


FIG. 1

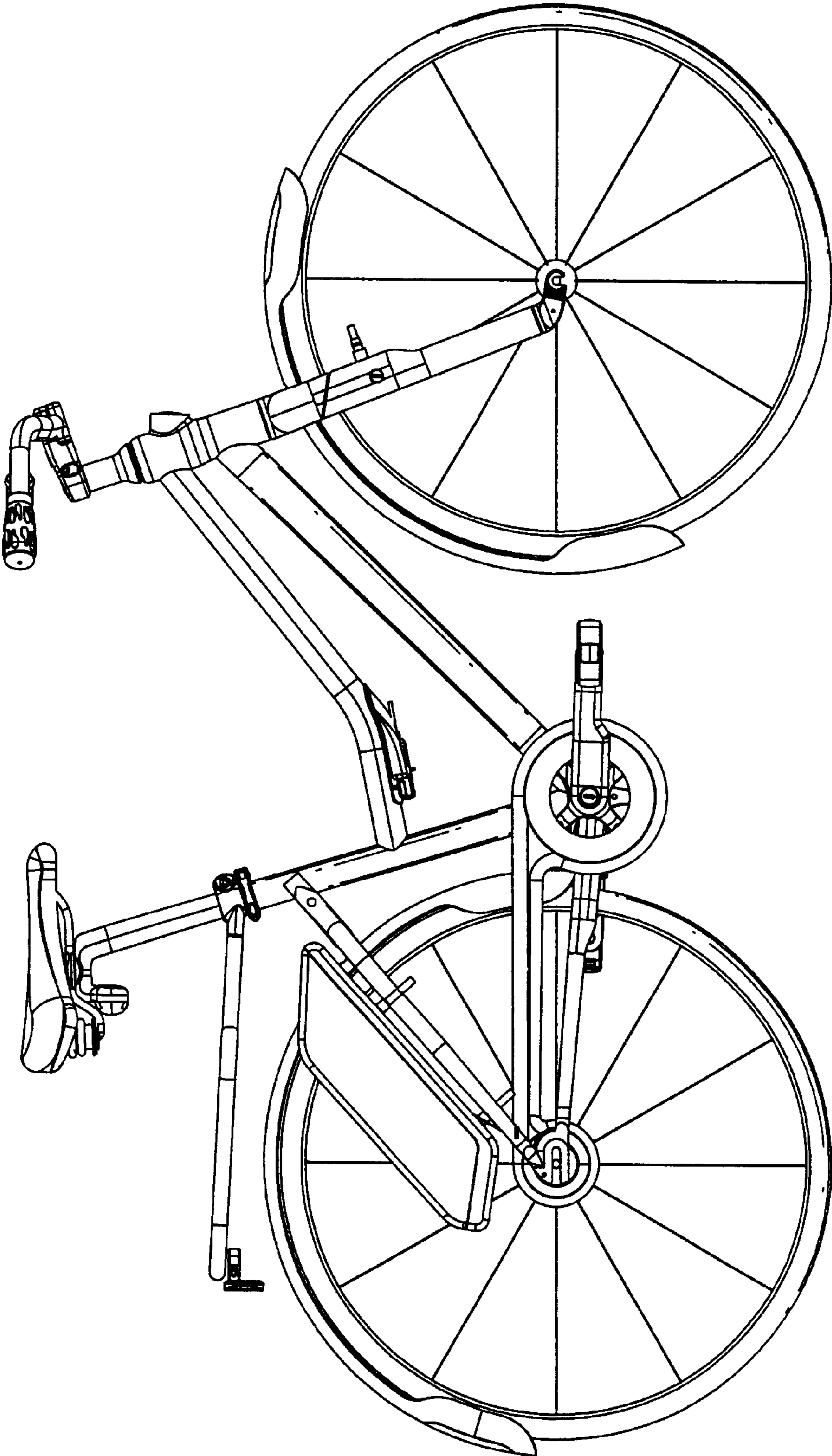


FIG. 2



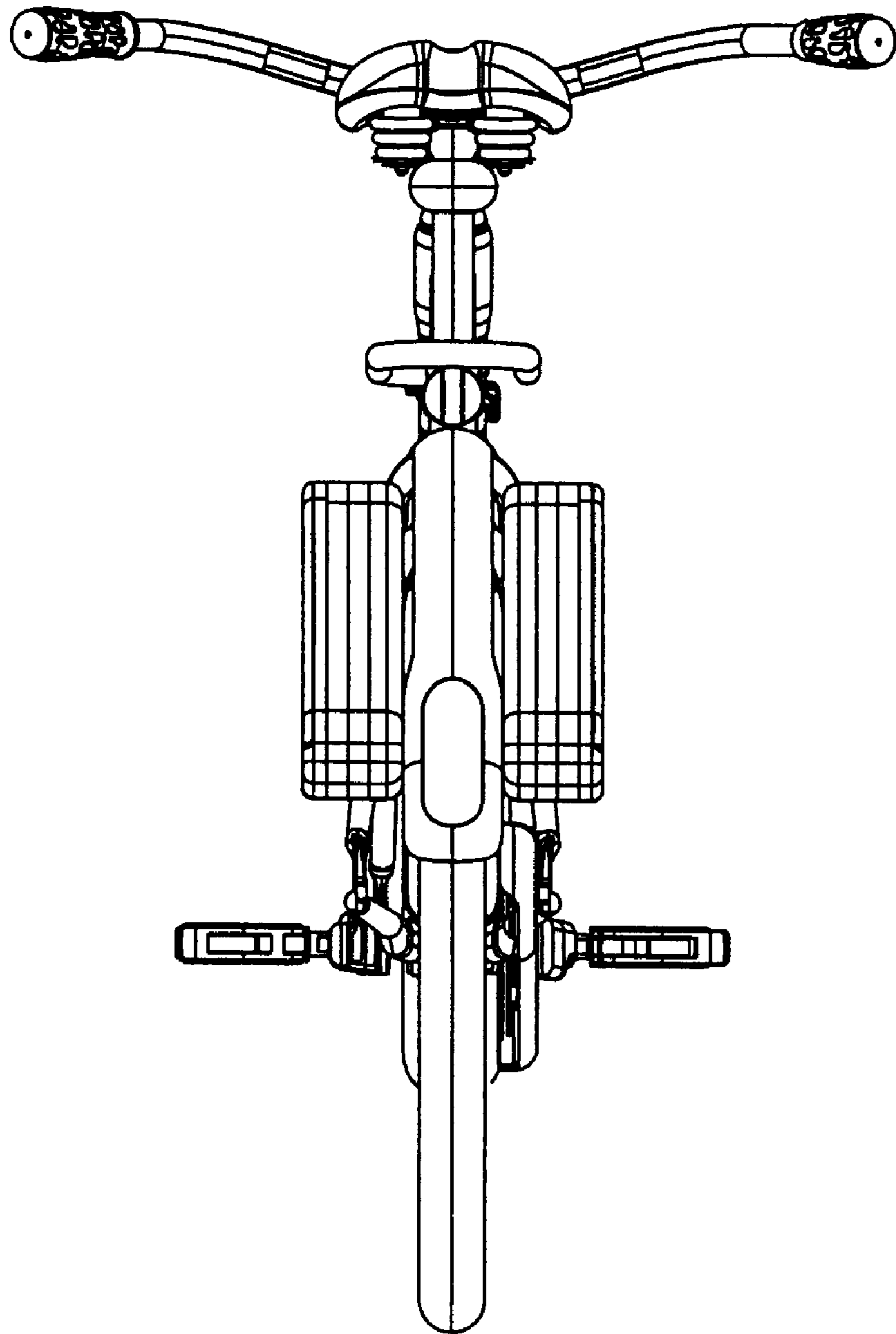


FIG. 4

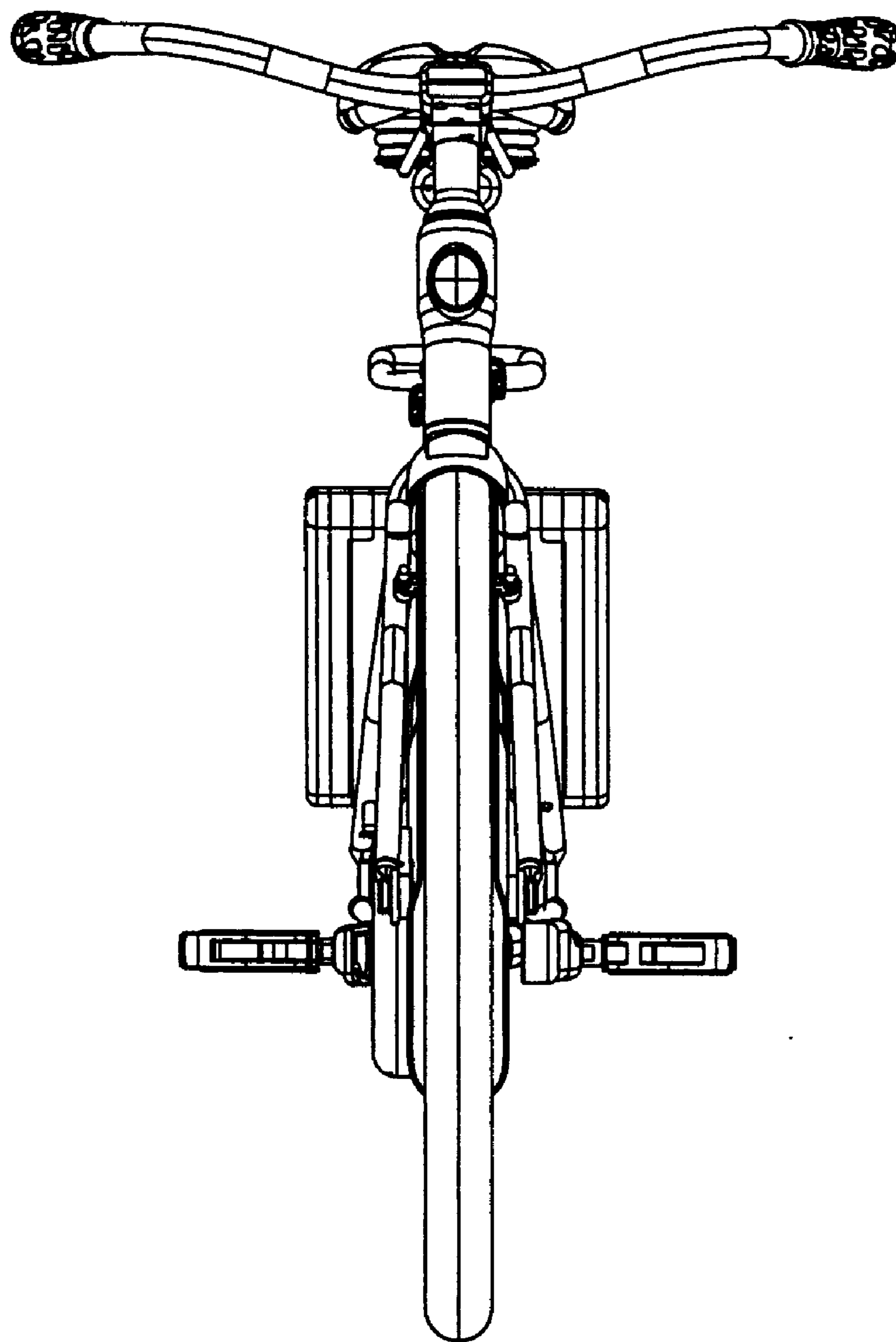


FIG. 5

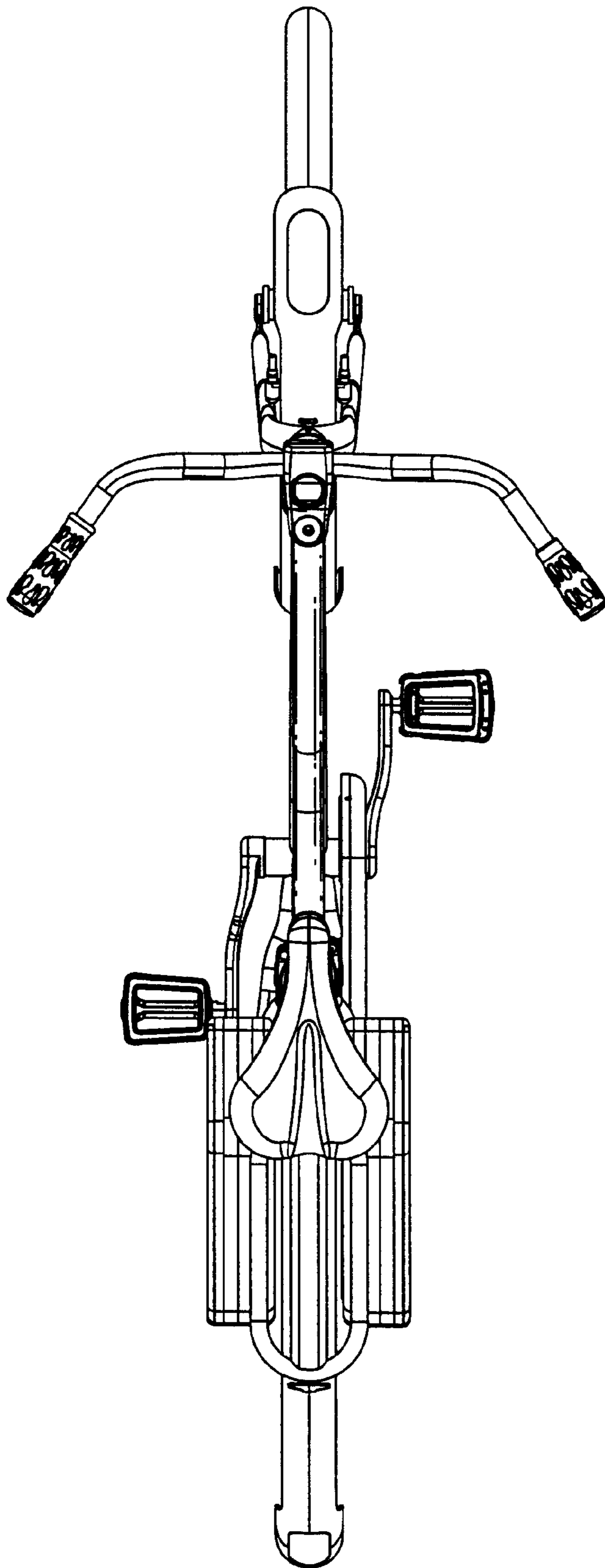


FIG. 6

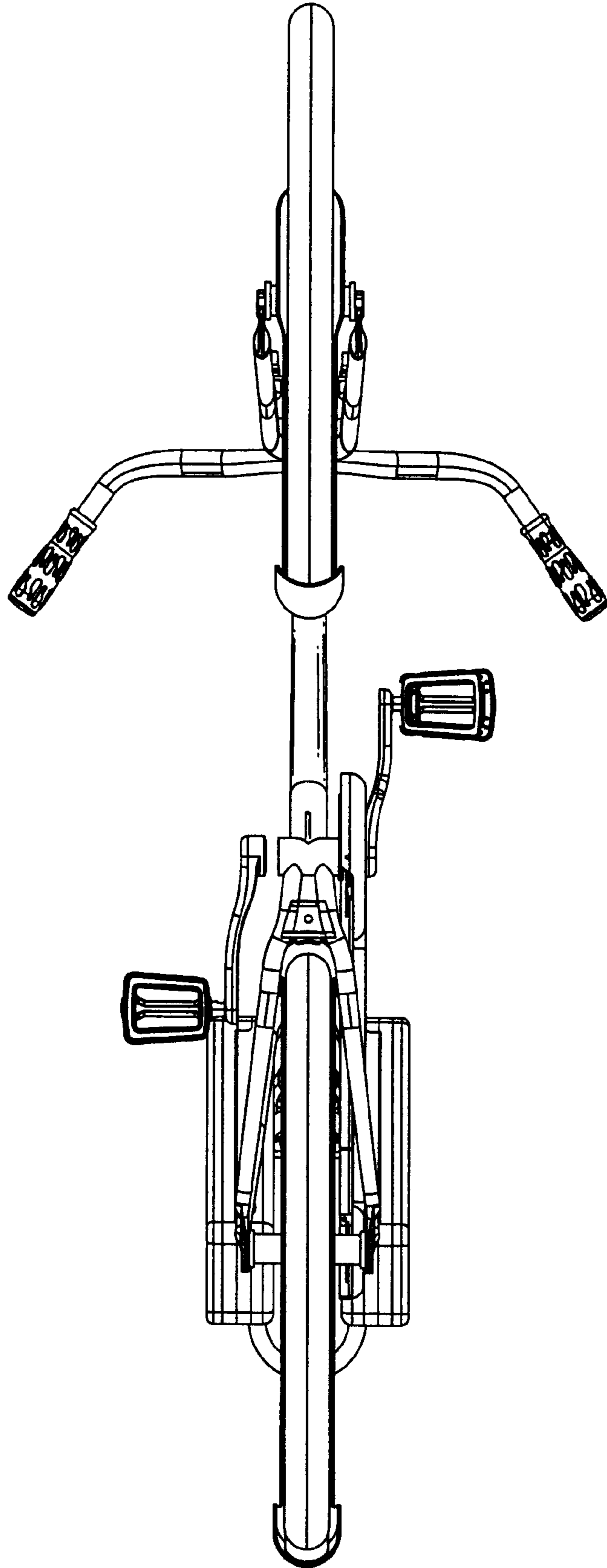


FIG. 7