



US00D540715S

(12) **United States Design Patent**  
**Basset et al.**

(10) **Patent No.:** **US D540,715 S**  
(45) **Date of Patent:** **\*\* Apr. 17, 2007**

(54) **BODY PANEL**

(75) Inventors: **Damien B. Basset**, Los Angeles, CA (US); **Hideaki Yamazumi**, Torrance, CA (US); **Asao Itaya**, Torrance, CA (US); **Darin King**, Raymond, OH (US)

(73) Assignee: **Honda Motor Company, Ltd.**, Tokyo (JP)

(\*\*) Term: **14 Years**

(21) Appl. No.: **29/226,794**

(22) Filed: **Apr. 1, 2005**

(51) **LOC (8) Cl.** ..... **12-11**

(52) **U.S. Cl.** ..... **D12/107**

(58) **Field of Classification Search** ..... D12/3,  
D12/86, 87, 107, 110, 184, 186, 126, 173,  
D12/90, 91; 180/225, 229, 233, 311, 312,  
180/315, 69.2; 280/847-851, 152.1-152.3;  
296/193.01, 193.11

See application file for complete search history.

(56) **References Cited**

**U.S. PATENT DOCUMENTS**

D512,001 S \* 11/2005 Kato et al. .... D12/107  
D517,450 S \* 3/2006 Wu ..... D12/107

\* cited by examiner

*Primary Examiner*—Alan P. Douglas

*Assistant Examiner*—Linda Brooks

(74) *Attorney, Agent, or Firm*—Dinsmore & Shohl LLP

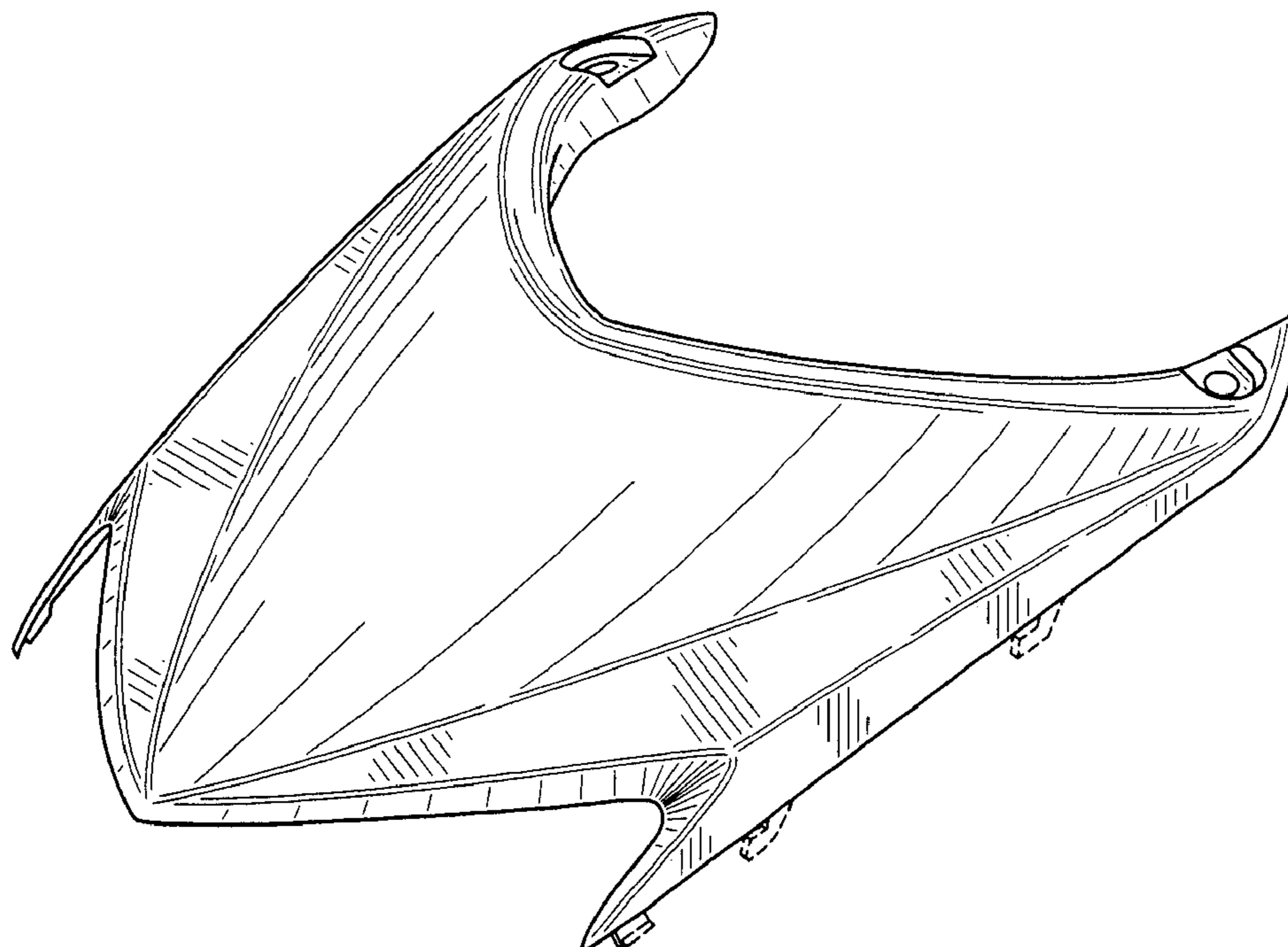
(57) **CLAIM**

The ornamental design for a body panel, as shown and described.

**DESCRIPTION**

FIG. 1 is a left front perspective view of a body panel; FIG. 2 is a left side elevational view of the body panel of FIG. 1; FIG. 3 is a top plan view of the body panel of FIG. 1; FIG. 4 is a left front perspective view of the body panel of FIG. 1 provided upon an exemplary four wheeled vehicle; FIG. 5 is a left rear perspective view of the body panel of FIG. 1 provided upon the exemplary four wheeled vehicle; FIG. 6 is a front perspective view of the body panel of FIG. 1 provided upon the exemplary four wheeled vehicle; FIG. 7 is a left side perspective view of the body panel of FIG. 1 provided upon the exemplary four wheeled vehicle; FIG. 8 is a right side perspective view of the body panel of FIG. 1 provided upon the exemplary four wheeled vehicle; and, FIG. 9 is a top perspective view of the body panel of FIG. 1 provided upon the exemplary four wheeled vehicle. The phantom lines and areas shown in the figures are for illustrative purposes only and form no part of the claimed design.

**1 Claim, 9 Drawing Sheets**



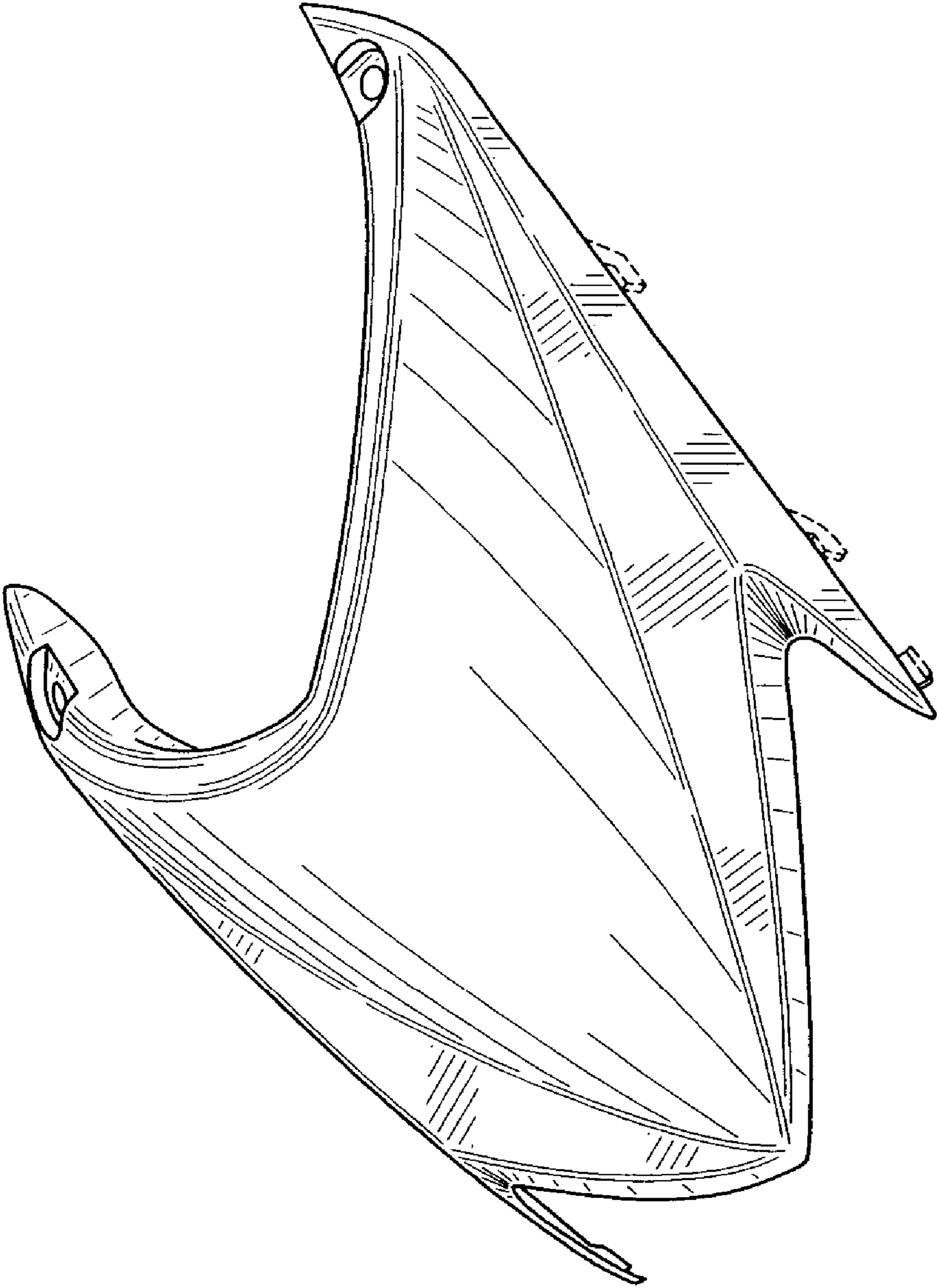


FIG. 1

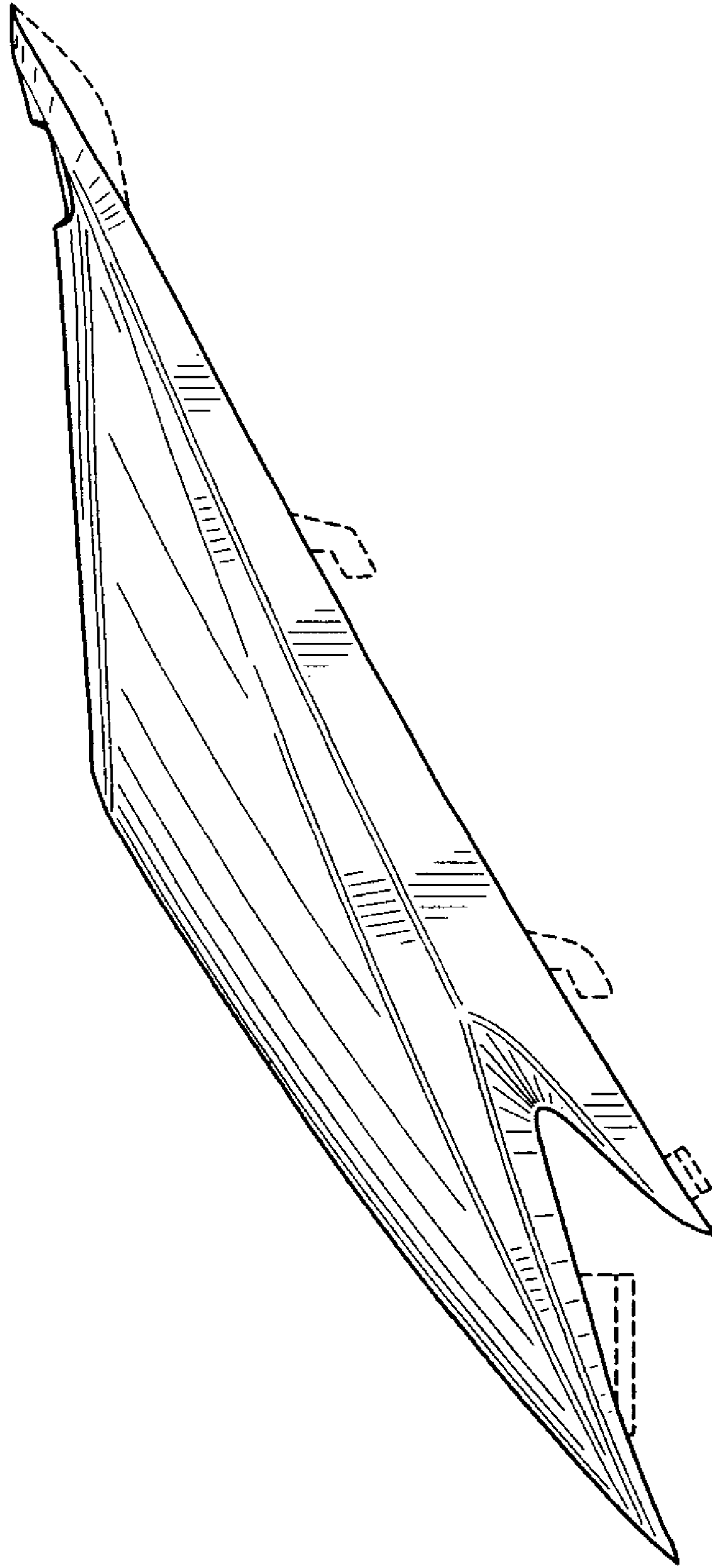


FIG. 2

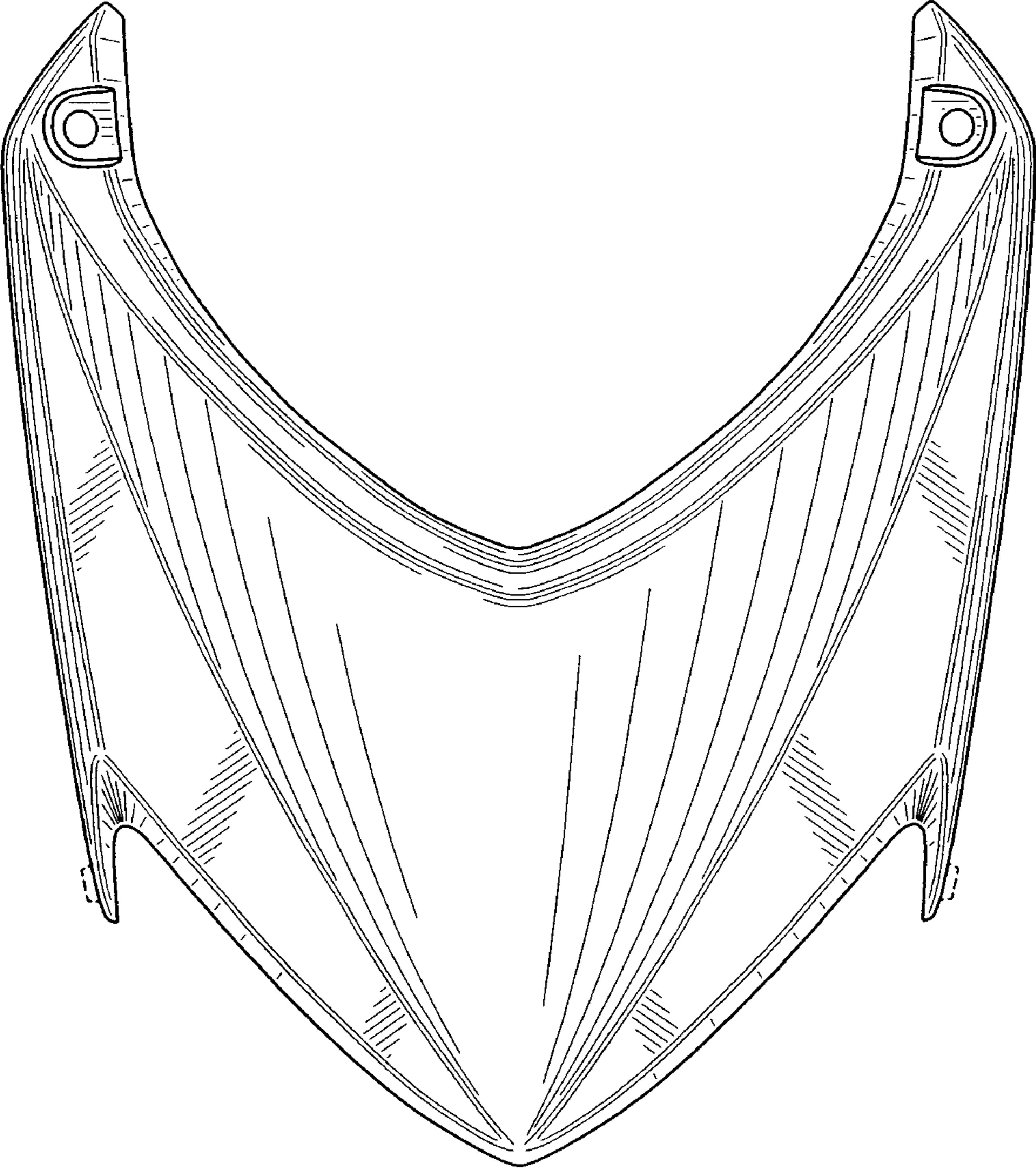


FIG. 3

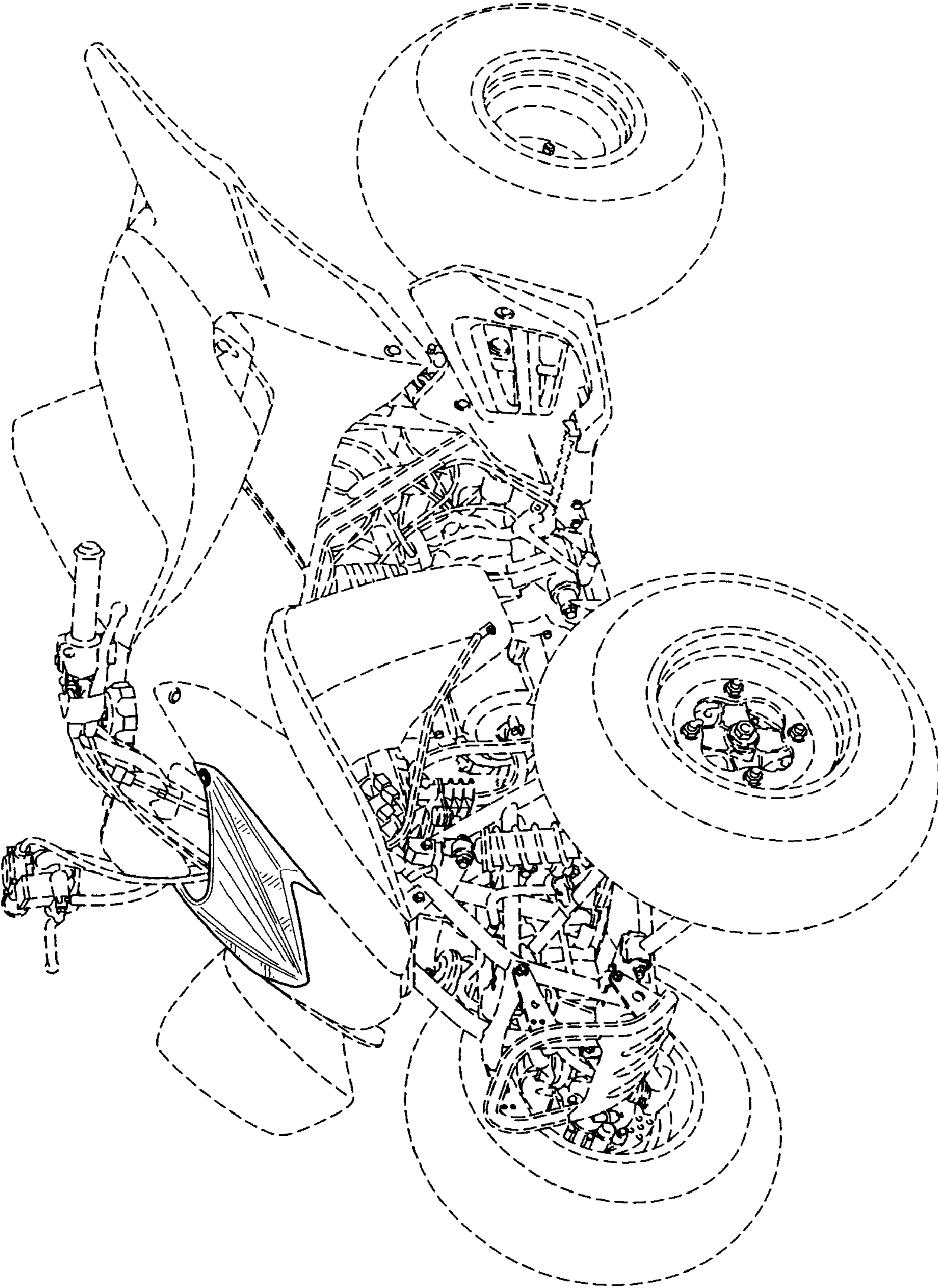


FIG. 4

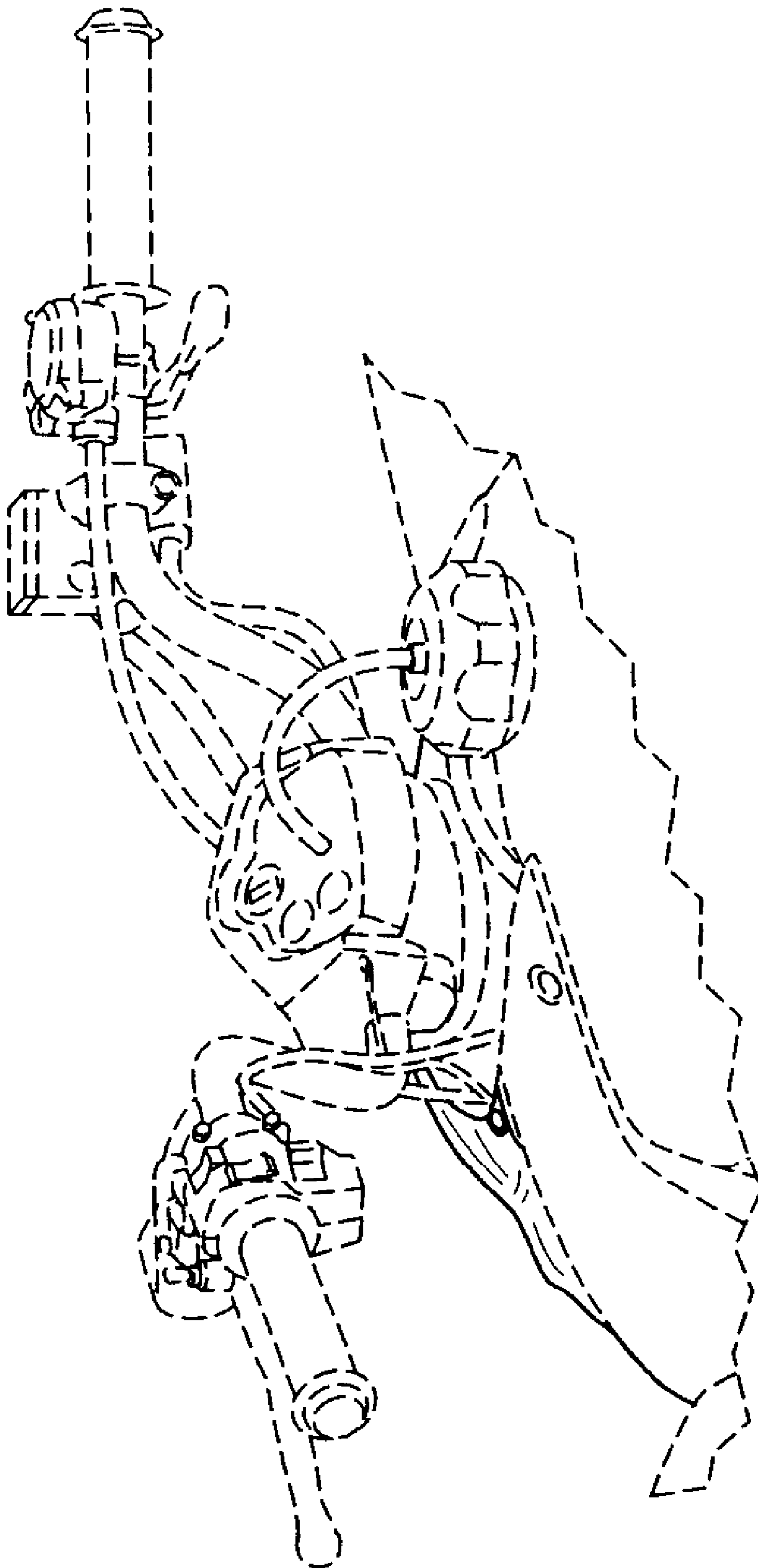


FIG. 5

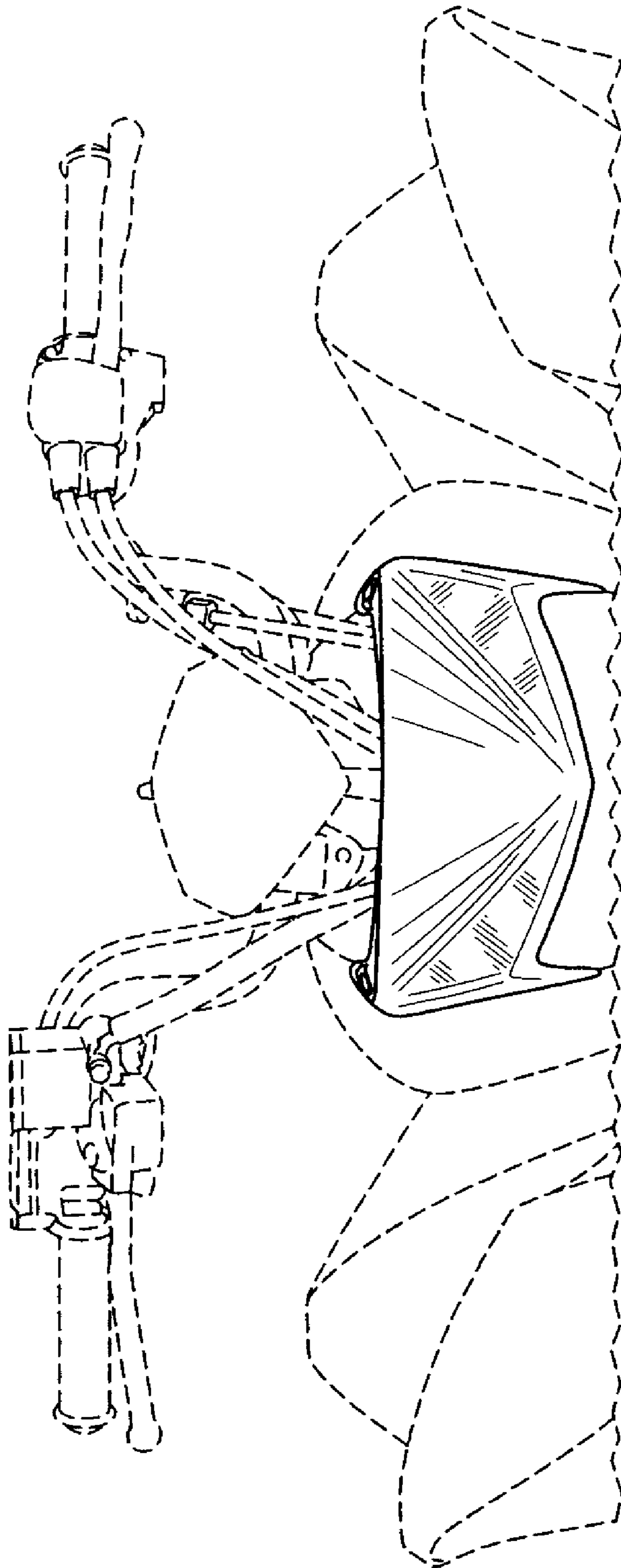


FIG. 6

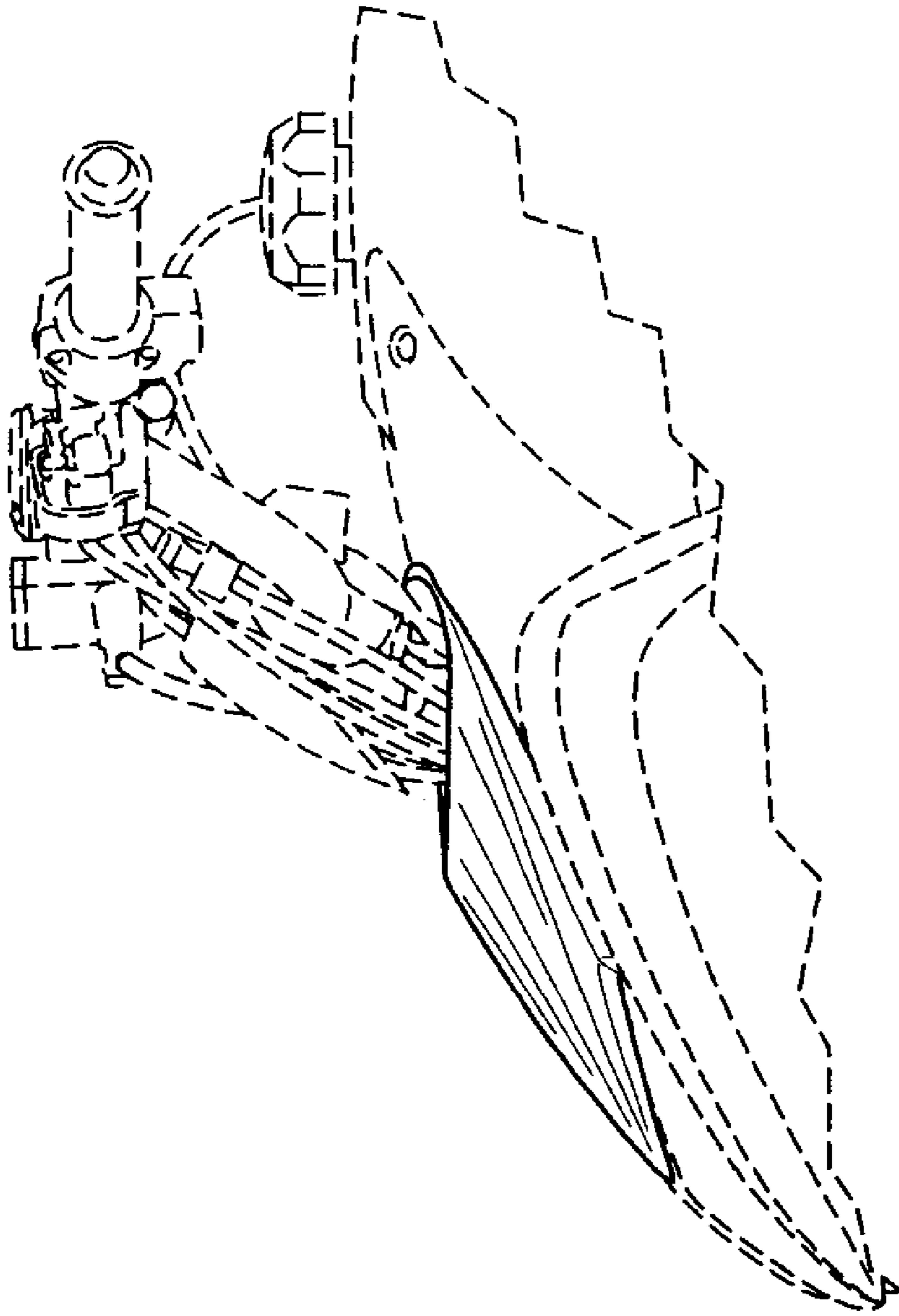


FIG. 7



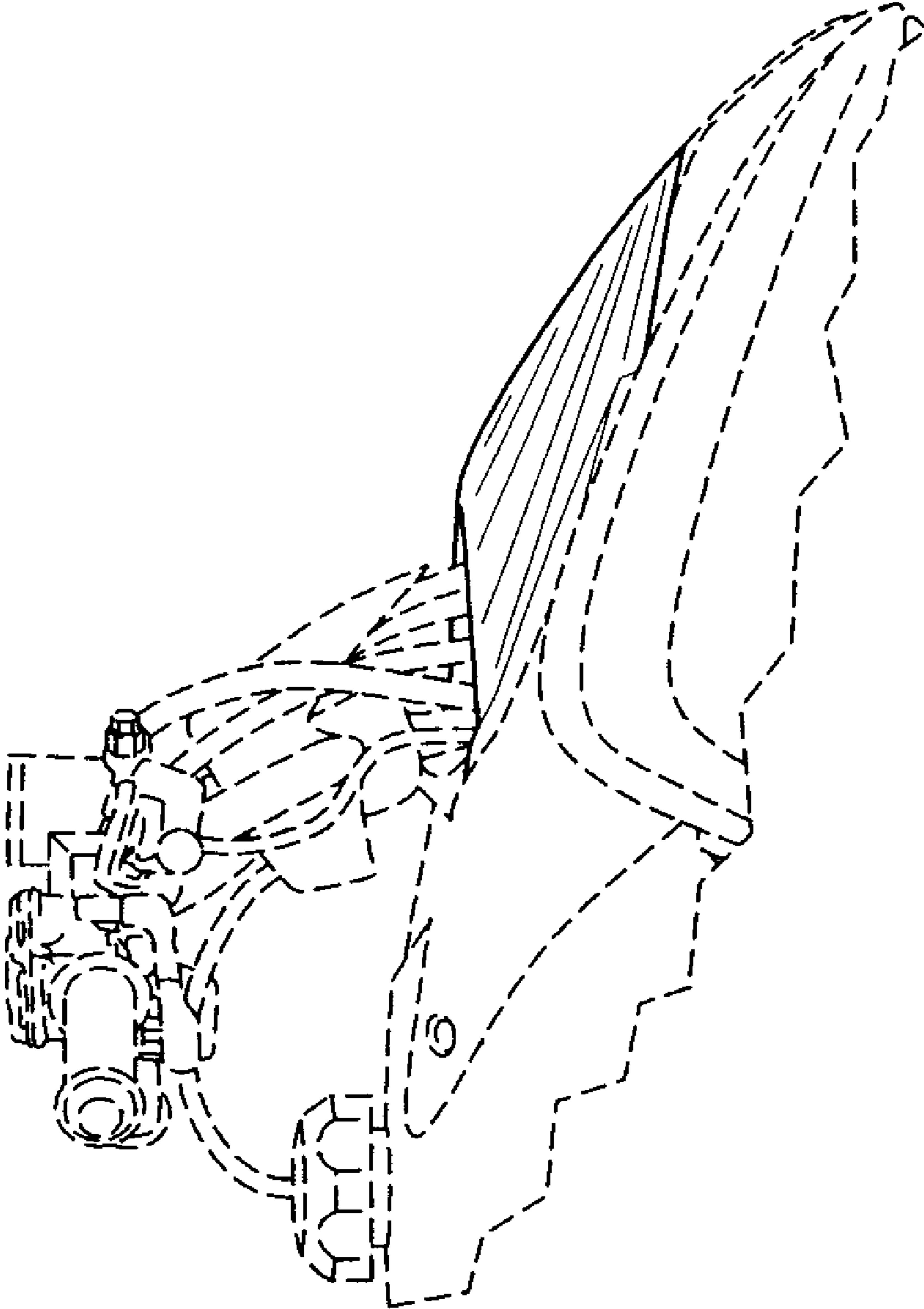


FIG. 8

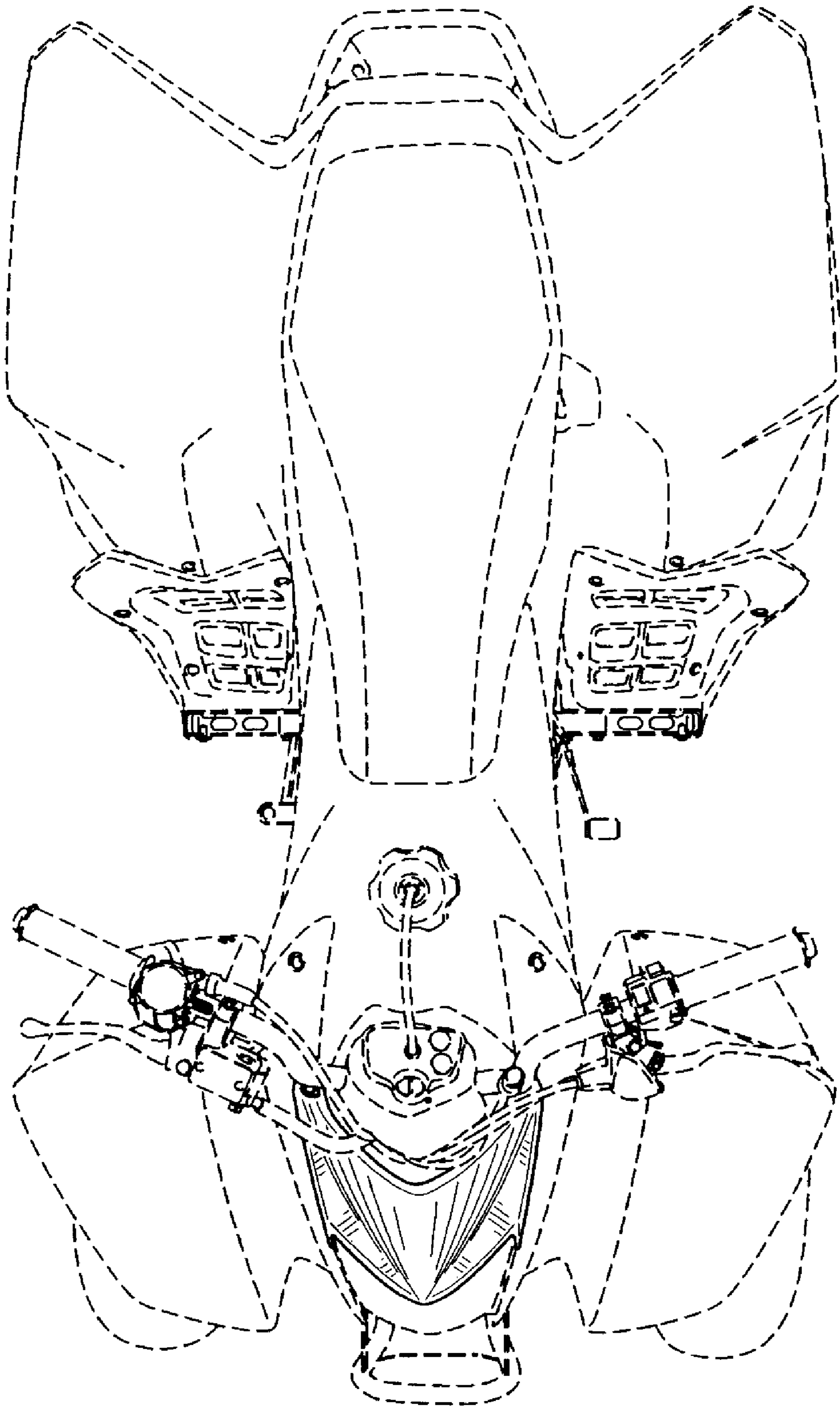


FIG. 9