

US00D540714S

(12) **United States Design Patent**
Mueller-Stolz

(10) **Patent No.:** **US D540,714 S**

(45) **Date of Patent:** **** Apr. 17, 2007**

(54) **SURFACE CONFIGURATION OF A VEHICLE, TOY, AND/OR OTHER REPLICAS**

(75) Inventor: **Dirk Mueller-Stolz**, Munich (DE)

(73) Assignee: **Bayerische Motoren Werke Aktiengesellschaft**, Munich (DE)

(**) Term: **14 Years**

(21) Appl. No.: **29/254,989**

(22) Filed: **Mar. 3, 2006**

(51) **LOC (8) Cl.** **12-08**

(52) **U.S. Cl.** **D12/91**

(58) **Field of Classification Search** D12/90-92,
D12/86; D21/424, 433, 548; 296/181.1, 181.5
See application file for complete search history.

(56) **References Cited**

U.S. PATENT DOCUMENTS

- D396,432 S * 7/1998 Syring D12/91
- D409,262 S 5/1999 Stephenson
- D478,533 S * 8/2003 Nicholas et al. D12/91
- D490,019 S * 5/2004 Sakae D12/91
- D504,087 S * 4/2005 Hakamata et al. D12/91

D513,716 S * 1/2006 Acampora D12/91

* cited by examiner

Primary Examiner—Melody N. Brown

(74) *Attorney, Agent, or Firm*—Crowell & Moring LLP

(57) **CLAIM**

The ornamental design for a surface configuration of a vehicle, toy, and/or other replicas, as shown and described.

DESCRIPTION

FIG. 1 is a left, front perspective view of a surface configuration of a vehicle, toy, and/or other replicas according to my novel design, the right, front perspective view being mirror symmetrical;

FIG. 2 is a left, rear perspective view thereof, the right, rear perspective view being mirror symmetrical;

FIG. 3 is a left side view thereof;

FIG. 4 is a right side view thereof;

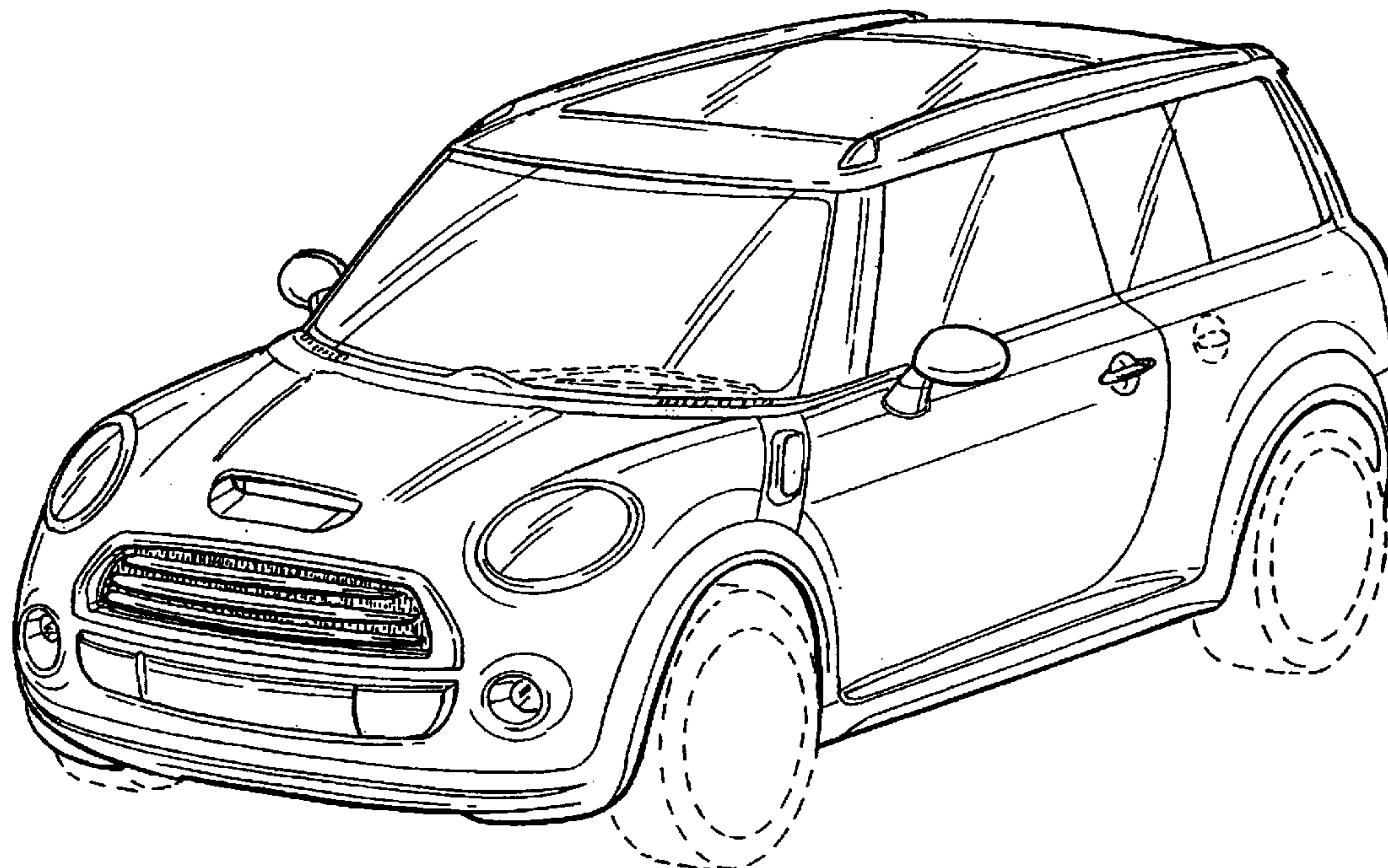
FIG. 5 is a front view thereof;

FIG. 6 is a rear view thereof; and,

FIG. 7 is a top view thereof.

The broken lines are for illustrative purposes only and form no part of the claimed design.

1 Claim, 6 Drawing Sheets



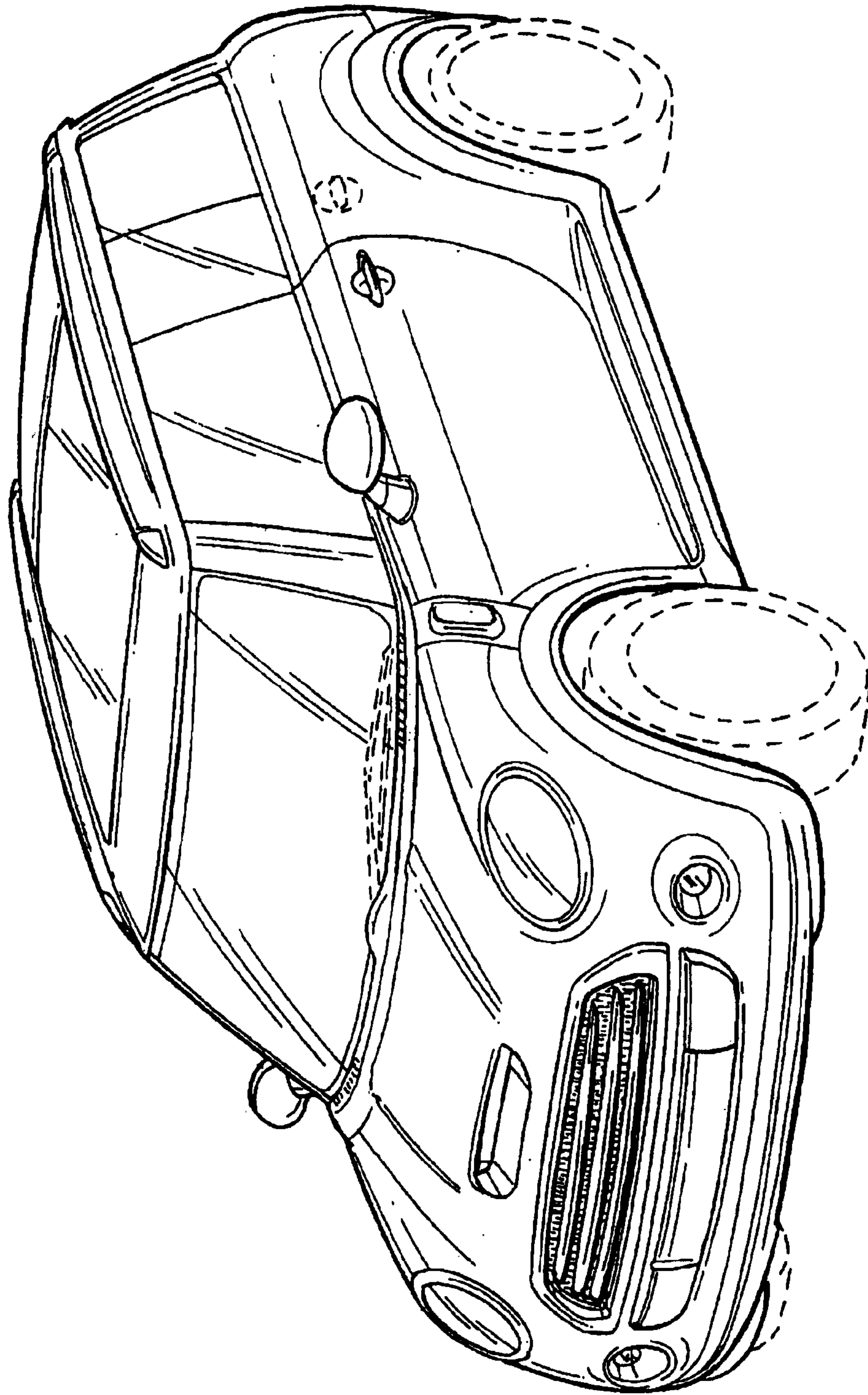


FIG. 1

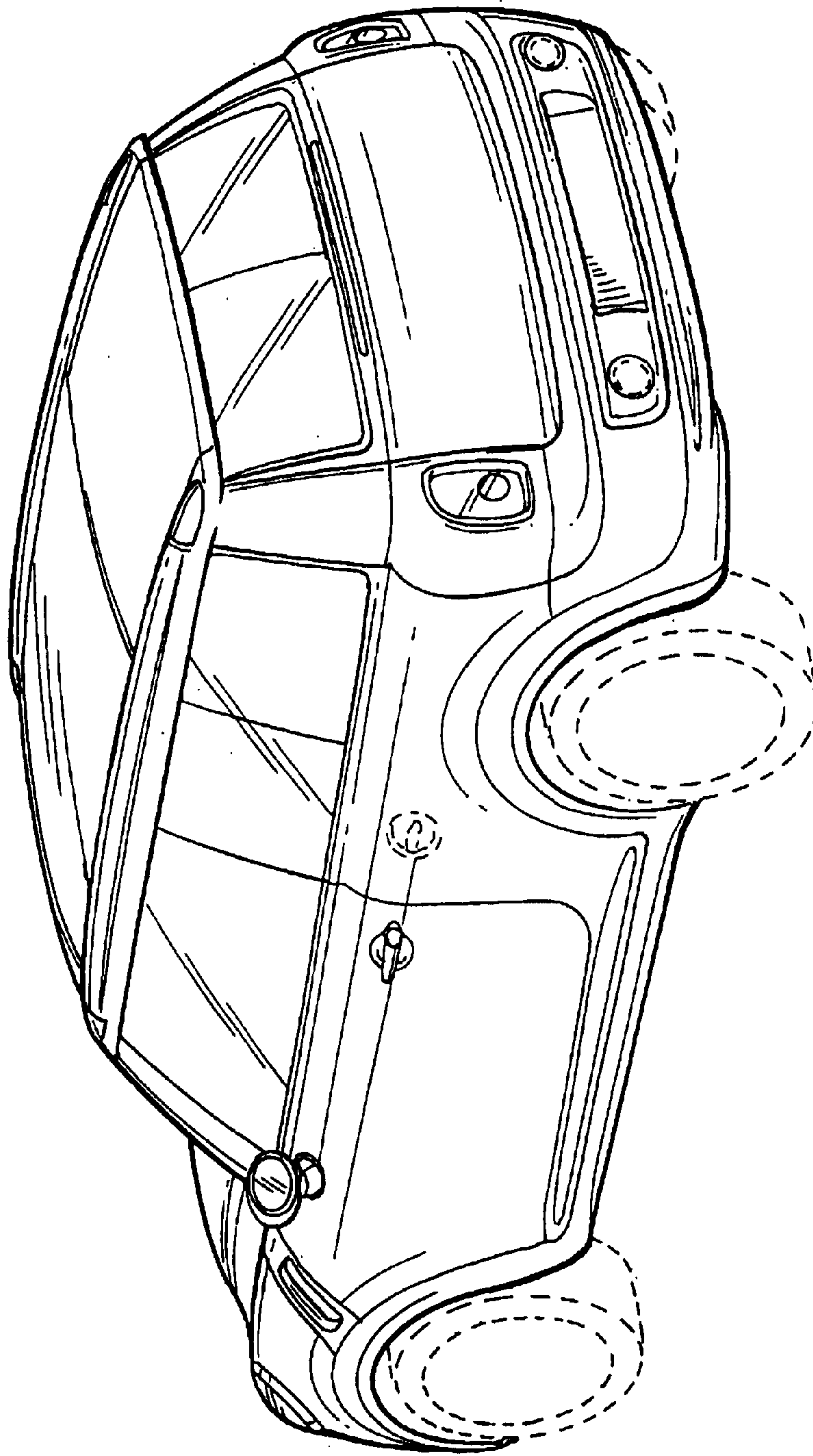


FIG. 2

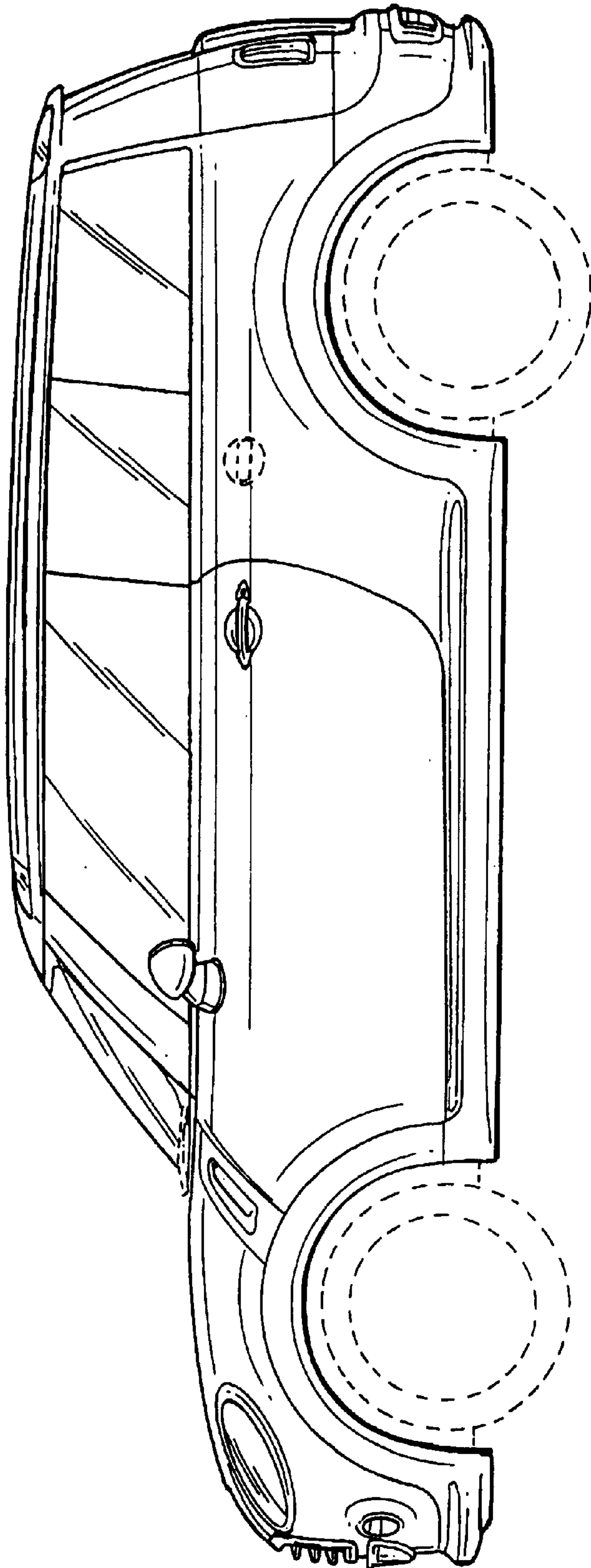


FIG. 3

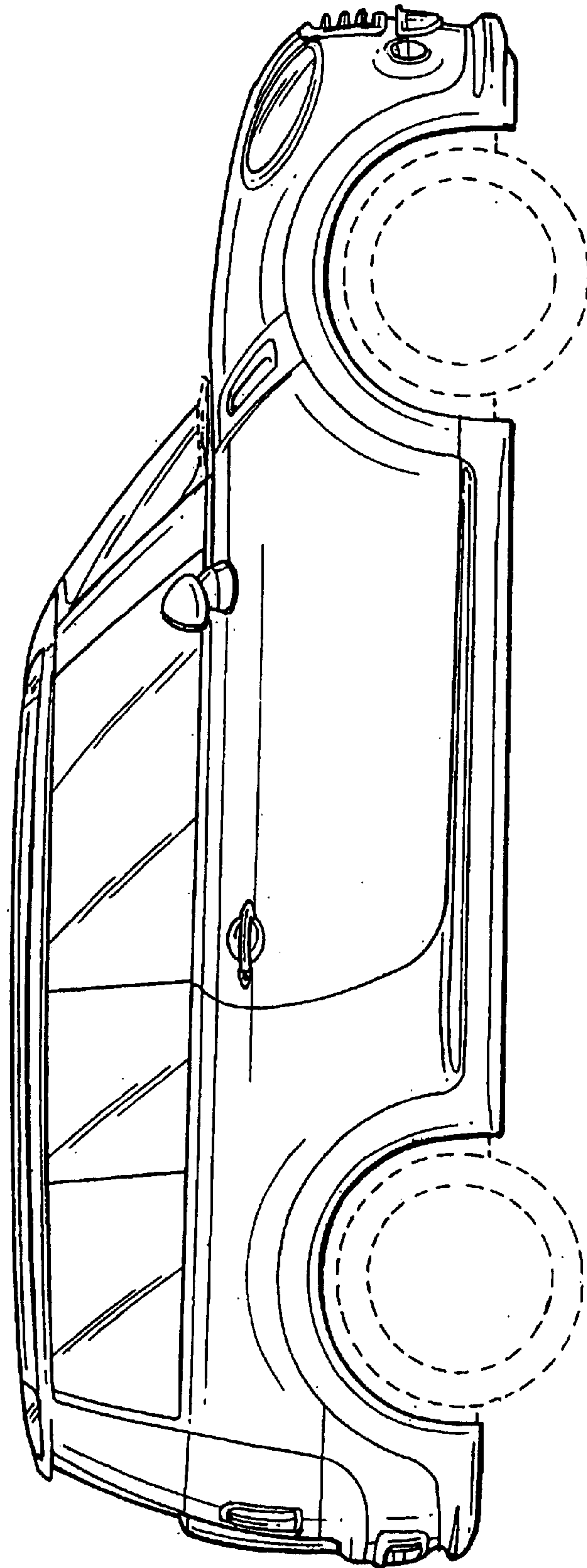


FIG. 4

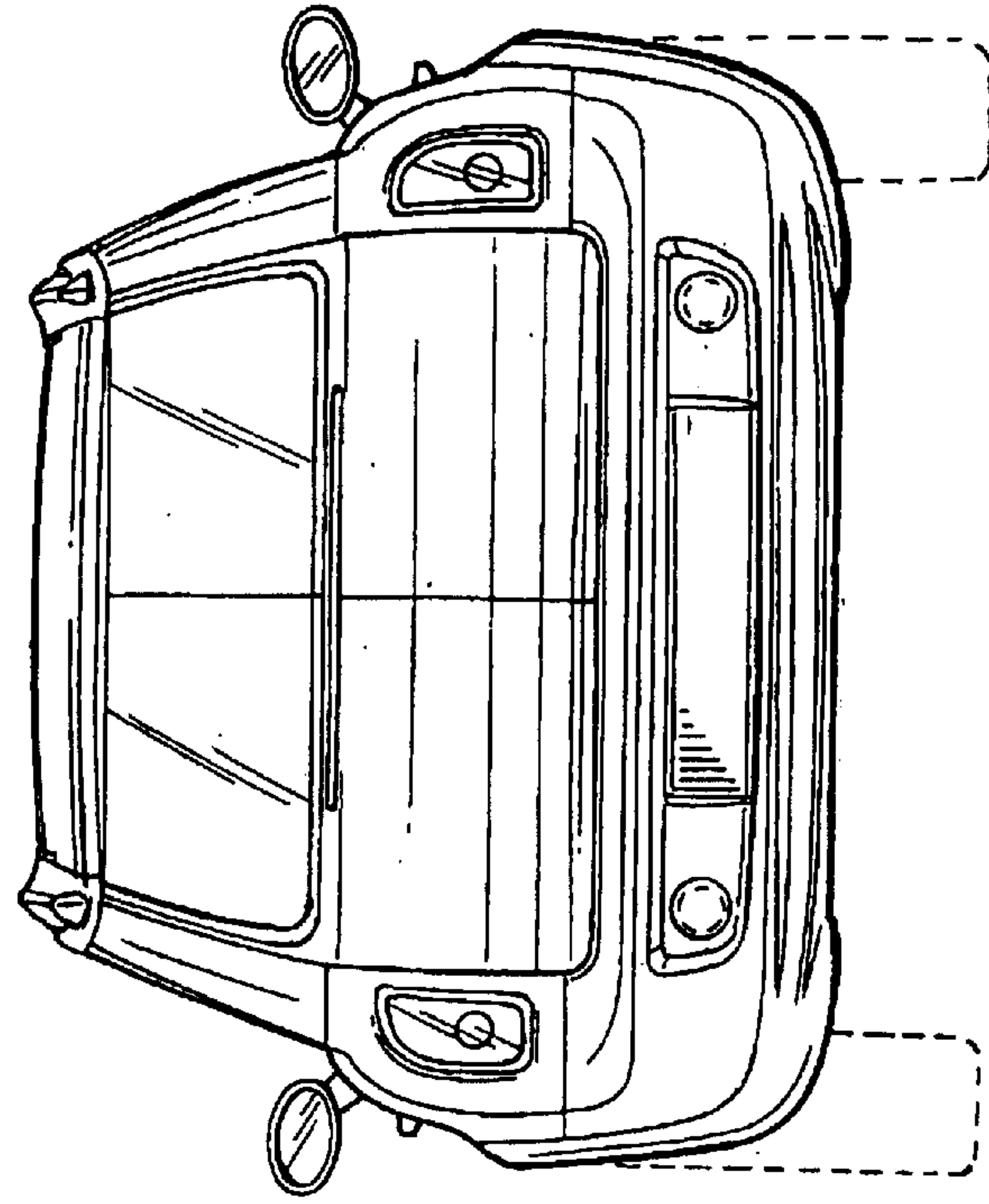


FIG. 6

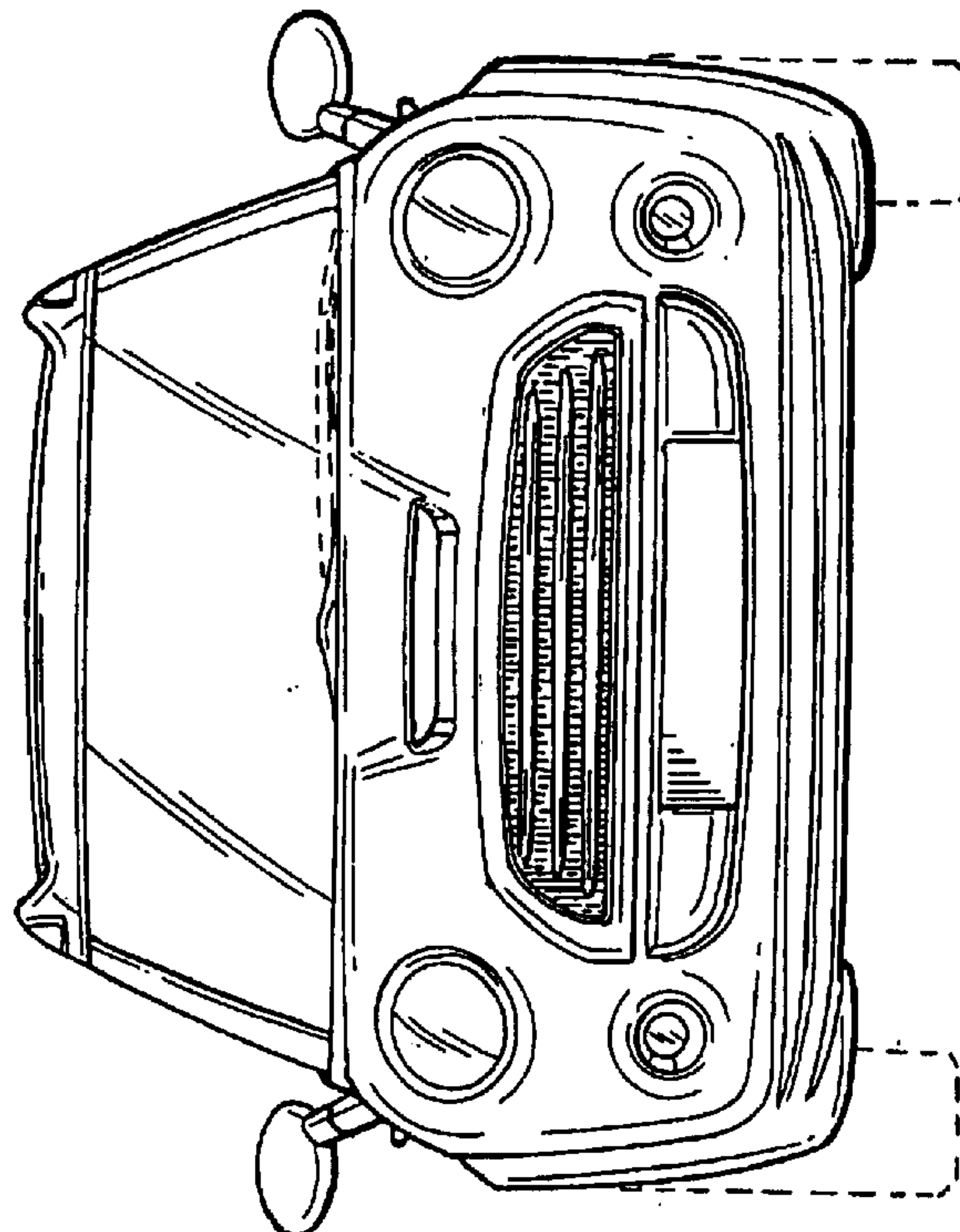


FIG. 5

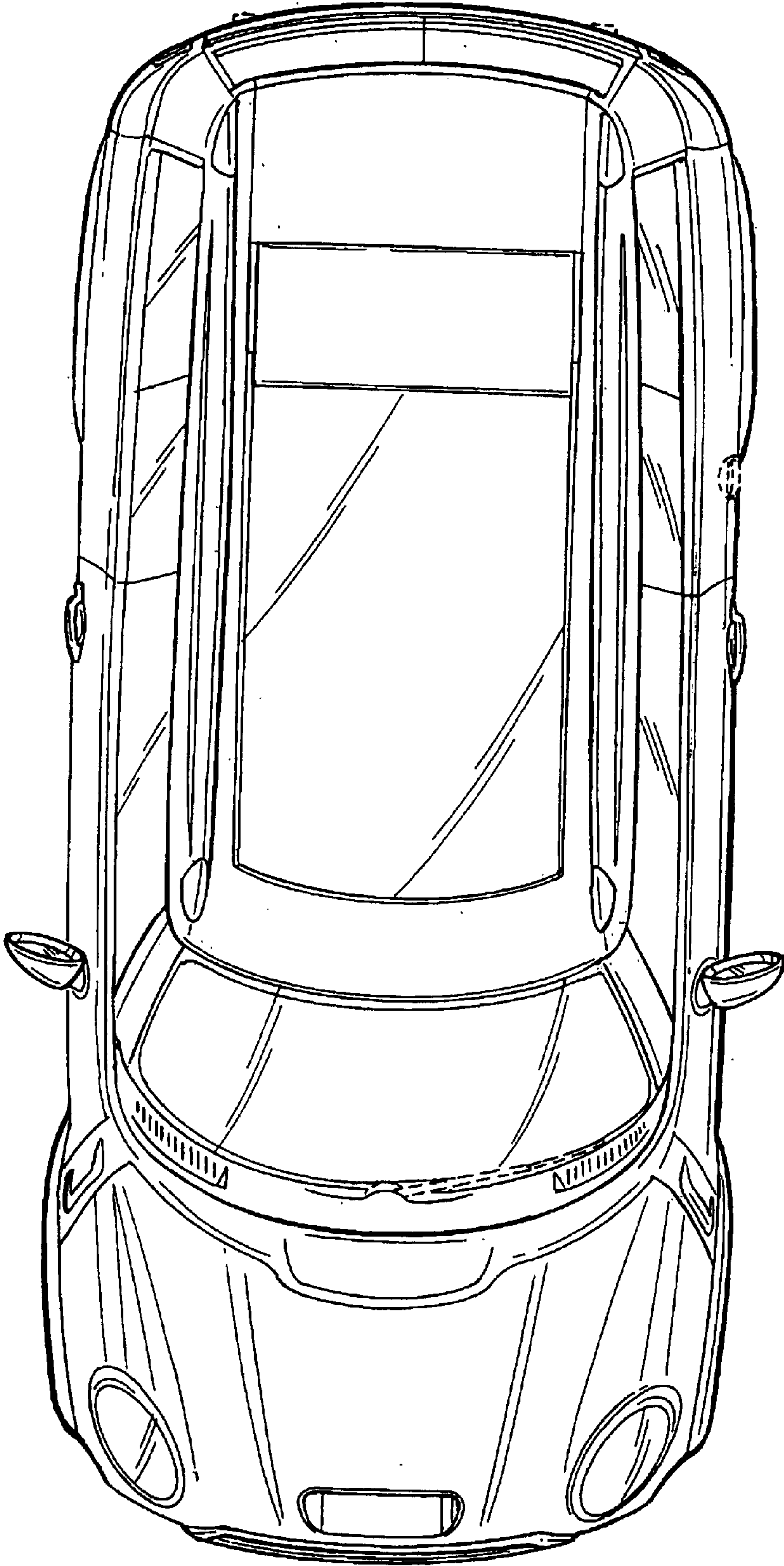


FIG. 7