



US00D540703S

(12) **United States Design Patent** (10) **Patent No.:** **US D540,703 S**
Skelton et al. (45) **Date of Patent:** **** Apr. 17, 2007**

(54) **NAVIGATION DEVICE**

(75) Inventors: **Paul E. Skelton**, Lenexa, KS (US);
Dale R. Langner, Louisburg, KS (US);
Jonathan C. Burrell, Olathe, KS (US);
Joshua C. Reeson, Olathe, KS (US)

(73) Assignee: **Garmin Ltd.** (KY)

(**) Term: **14 Years**

(21) Appl. No.: **29/240,192**

(22) Filed: **Oct. 11, 2005**

(51) **LOC (8) Cl.** **10-04**

(52) **U.S. Cl.** **D10/65**

(58) **Field of Classification Search** D10/65,
D10/80; D14/347; 342/351, 419, 457, 357.06–357.13;
343/702; 345/87, 104, 133, 156, 168, 173,
345/901–905; 348/180, 184, 315, 739; 364/444,
364/499; 701/206–209, 213, 214

See application file for complete search history.

(56) **References Cited**

U.S. PATENT DOCUMENTS

D365,292 S	12/1995	Laverick et al.	D10/78
5,665,000 A	9/1997	Burrell et al.	463/46
D409,927 S	5/1999	Wiegers et al.	D10/65
5,910,882 A	6/1999	Burrell	361/681
5,951,399 A	9/1999	Burrell et al.	463/46
D426,481 S	6/2000	Laverick	D10/103
D427,919 S	7/2000	Laverick et al.	D10/65
D429,173 S	8/2000	Laverick et al.	D10/80
D440,505 S	4/2001	Laverick	D10/65
6,330,149 B1	12/2001	Burrell	361/683
D453,300 S	2/2002	Schoenfish et al.	D10/65
D453,481 S	2/2002	Schoenfish	D10/74
D455,665 S	4/2002	Schoenfish et al.	D10/74
D456,289 S	4/2002	Laverick	D10/65
D456,794 S	5/2002	Laverick et al.	D14/138
D457,445 S	5/2002	Schoenfish	D10/65

(Continued)

OTHER PUBLICATIONS

Front view of TomTom's Go product available at http://www.tomtom.com/lib/img/prodimages/Go_straight2_US.jpg.

Mounted view of TomTom's Go product available at http://www.tomtom.com/lib/img/prodimages/Go_mount_US.jpg.

Perspective view of TomTom's Go product available at http://www.tomtom.com/lib/img/prodimages/go_05.jpg.

Rear view of TomTom's Go product available at http://www.tomtom.com/lib/img/prodimages/go_06.jpg.

Datasheet on TomTom's Go Product available at http://www.tomtom.com/lib/doc/DTP_factsheet_USA.pdf.

Front view of Garmin's StreetPilot product available at <http://www.garmin.com/products/sp2620/gallery/pt-sp2620Large01.jpg>.

Perspective view of Garmin's StreetPilot product available at <http://www.garmin.com/>.

Perspective view of Garmin's GPS V product available at <http://www.garmin.com/graphics/gpsVhpicBig.jpg>.

Datasheet on Garmin's Quest product, more images of which are available at <http://www.garmin.com>.

Garmin Frorrunner 201 Owner's Manual, Apr. 2005.

Primary Examiner—Antoine D. Davis

(74) *Attorney, Agent, or Firm*—David L. Terrell

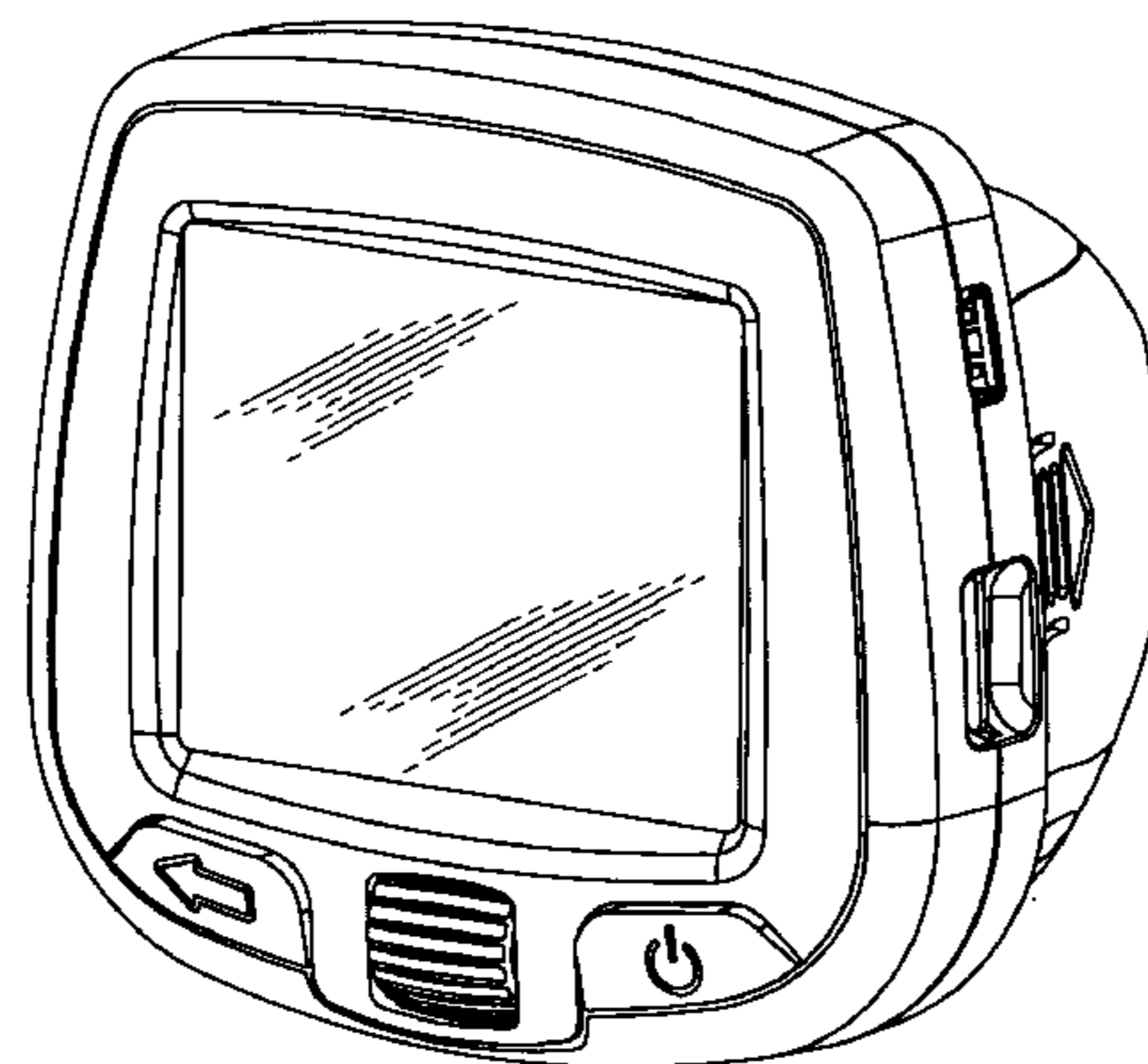
(57) **CLAIM**

The ornamental design for a navigation device, as shown and described.

DESCRIPTION

FIG. 1 is a front perspective view of a navigation device according to the present invention;
FIG. 2 is a front elevational view thereof;
FIG. 3 is a right side elevational view thereof;
FIG. 4 is a left side elevational view thereof;
FIG. 5 is a rear elevational view thereof;
FIG. 6 is a top plan view thereof; and,
FIG. 7 is a bottom plan view thereof.

1 Claim, 3 Drawing Sheets



US D540,703 S

Page 2

U.S. PATENT DOCUMENTS

D457,520 S	5/2002	Laverick et al.	D14/247	D477,597 S	7/2003	Laverick et al.	D14/346
D459,249 S	6/2002	Schoenfish et al.	D10/65	D486,083 S	2/2004	Laverick et al.	D10/65
D470,781 S	2/2003	Schoenfish et al.	D10/74	D487,705 S	3/2004	Schoenfish	D10/74
6,545,637 B1	4/2003	Krull et al.	342/357.09	D494,486 S	8/2004	Laverick et al.	D10/74
D474,478 S	5/2003	Laverick et al.	D14/456	D509,760 S	9/2005	Burrell et al.	D10/65
				D510,285 S	10/2005	Skelton et al.	D10/65

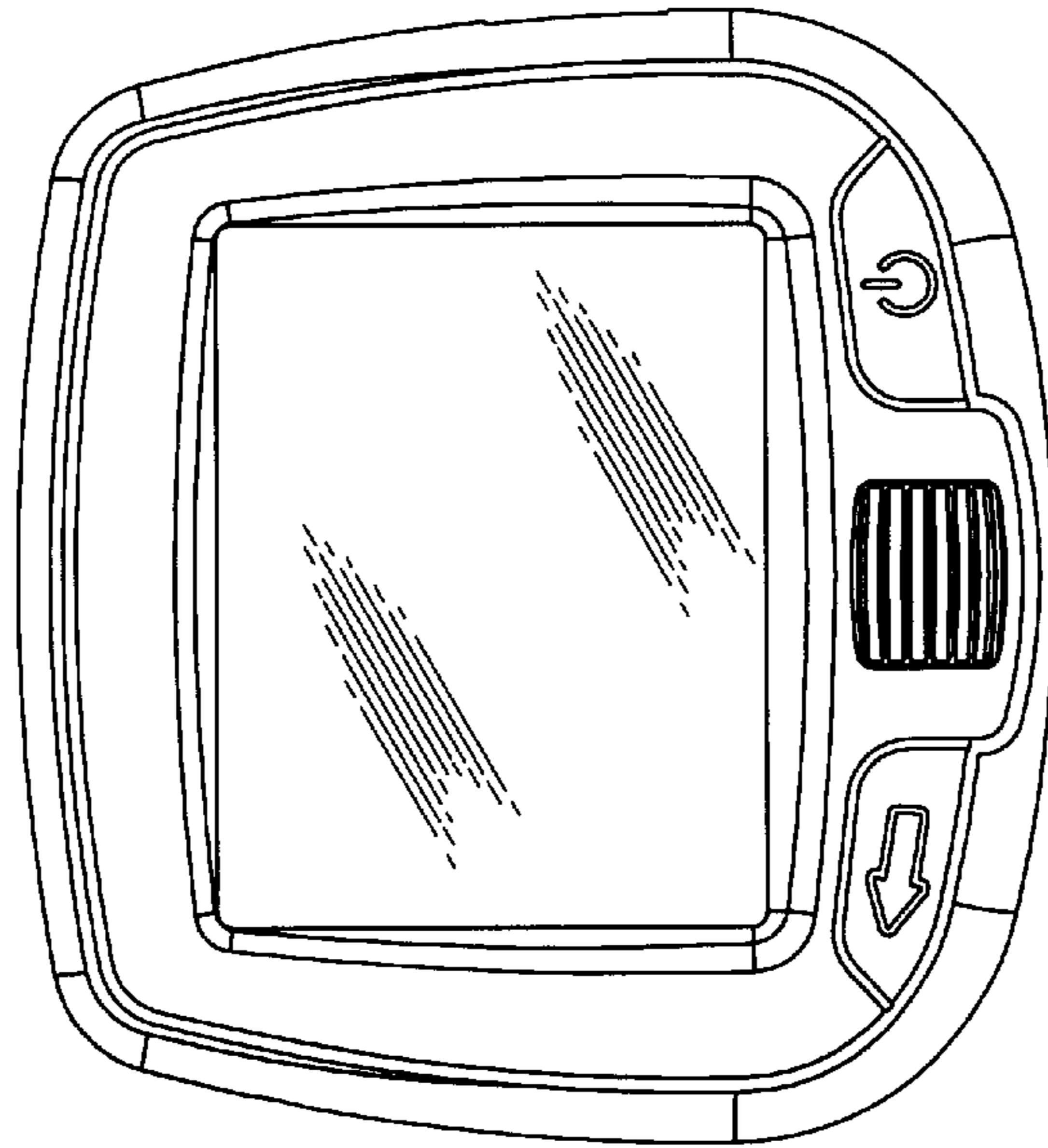


Fig. 2.

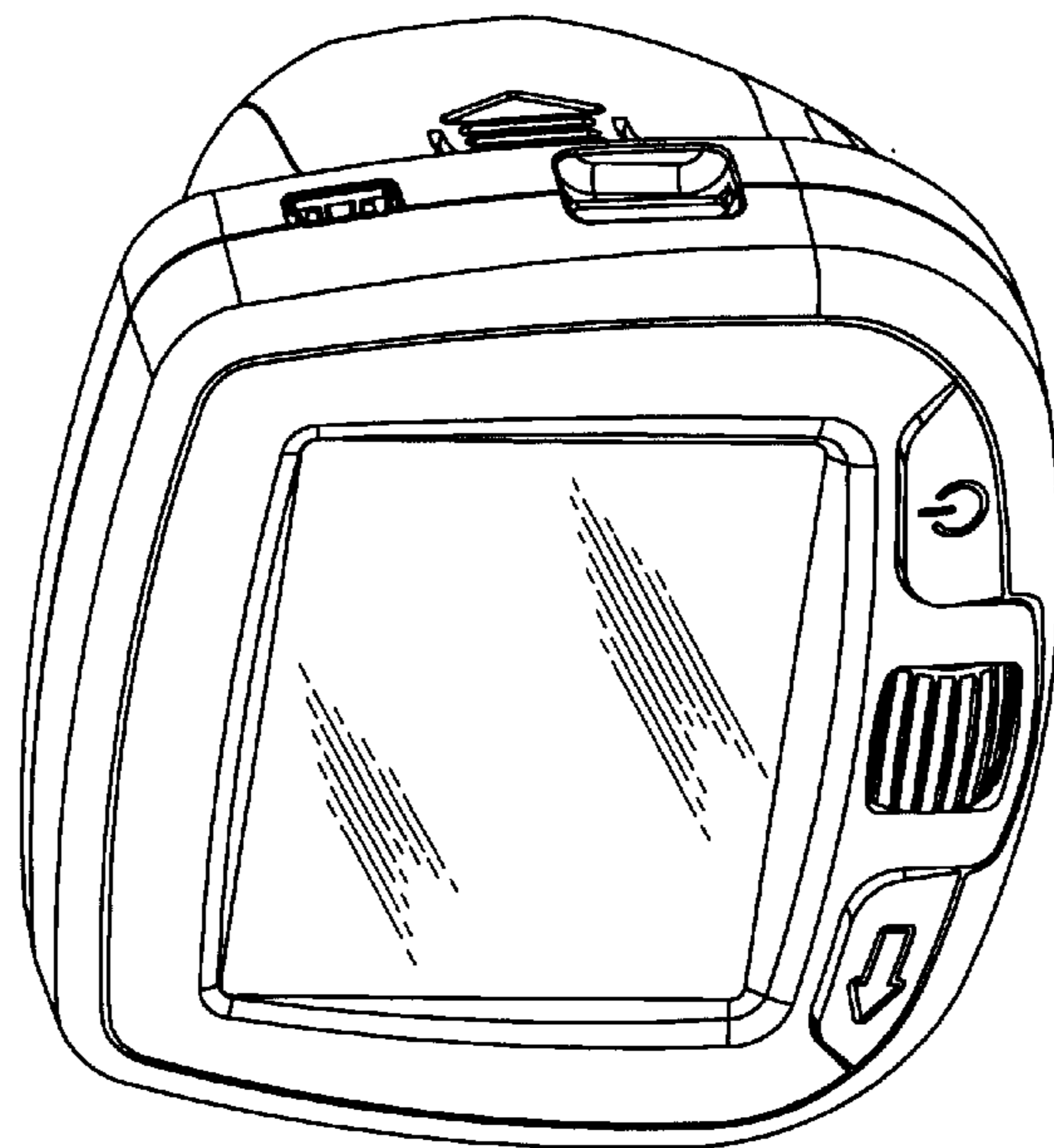


Fig. 1.

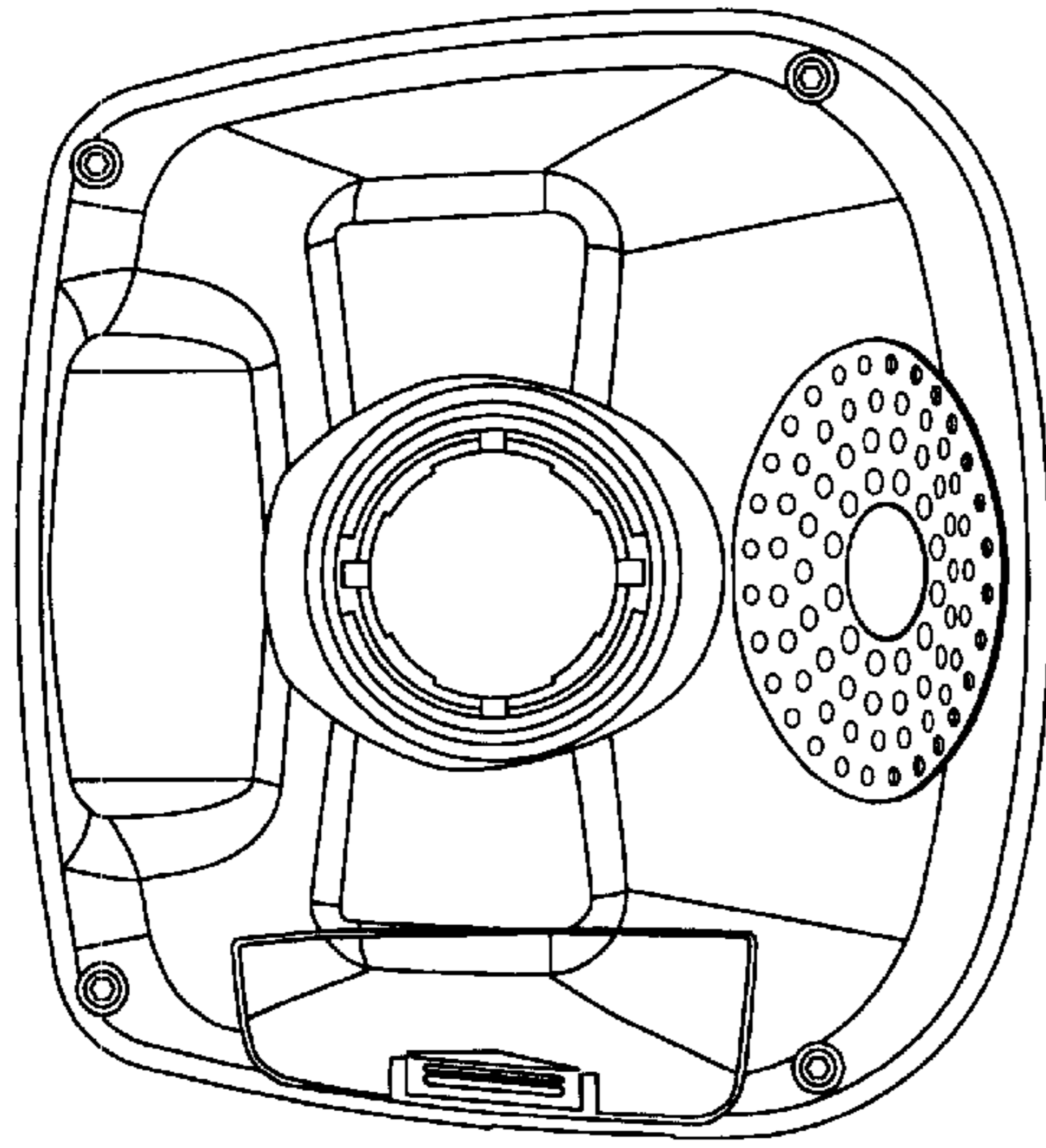


Fig. 5.

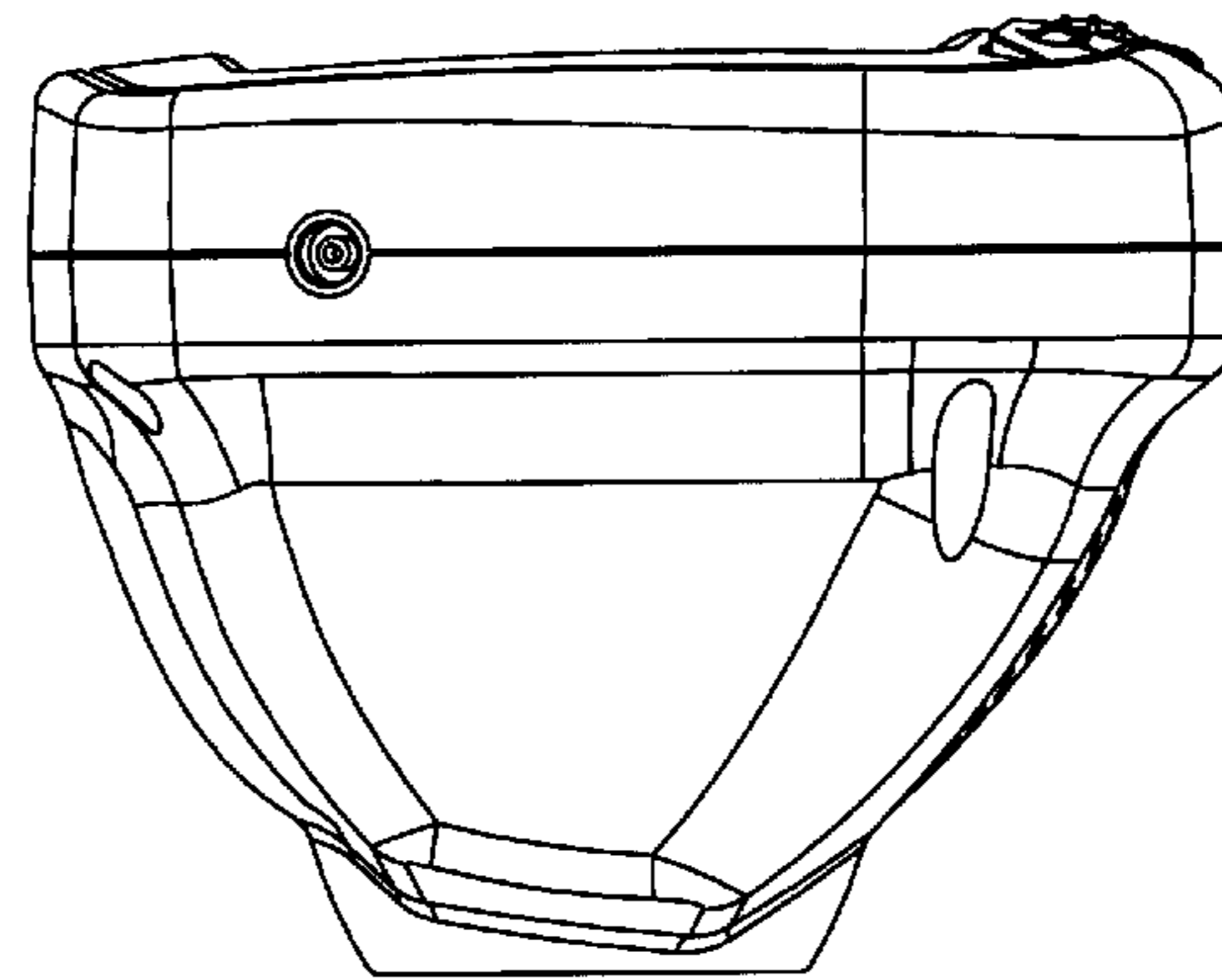


Fig. 4.

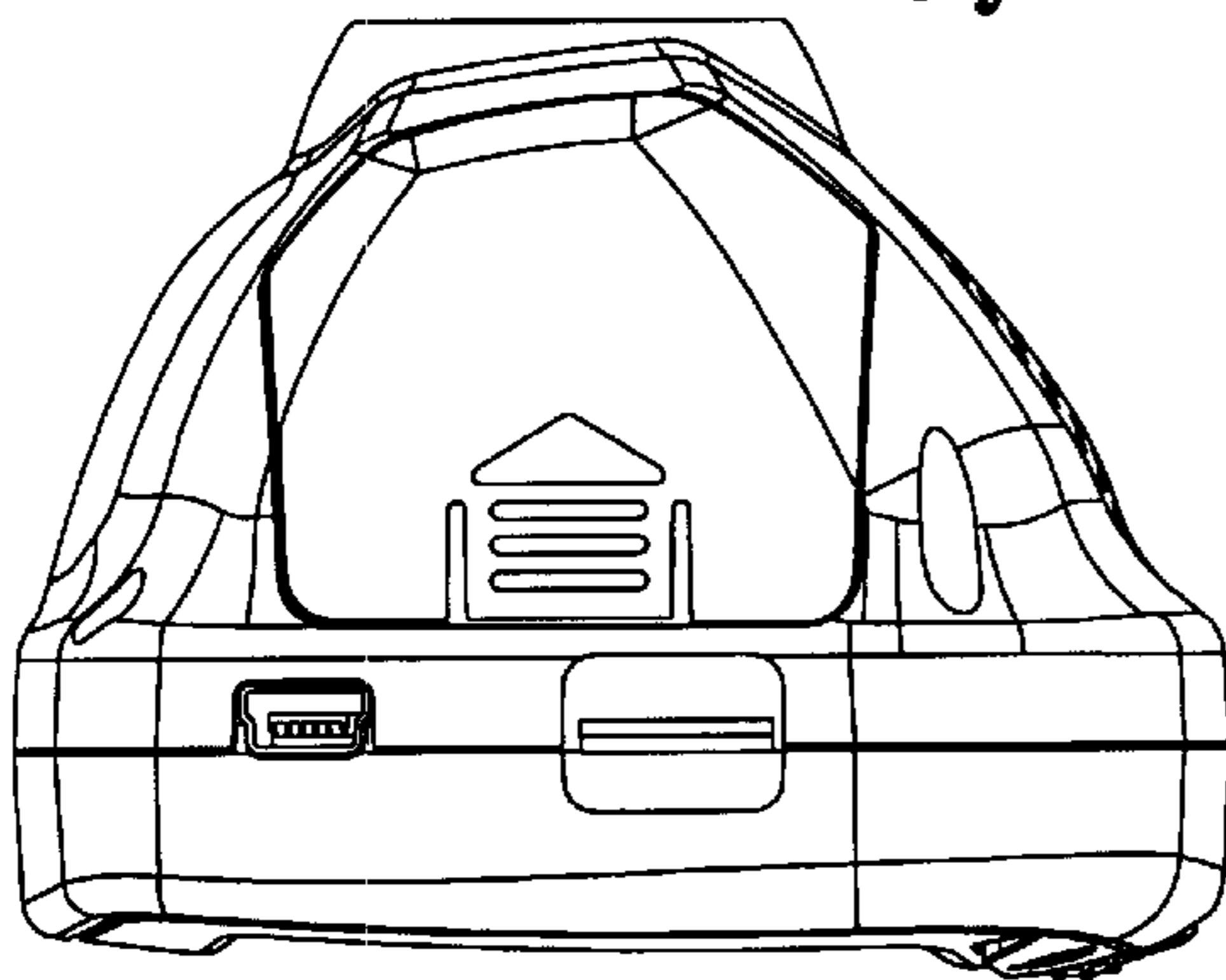


Fig. 3.

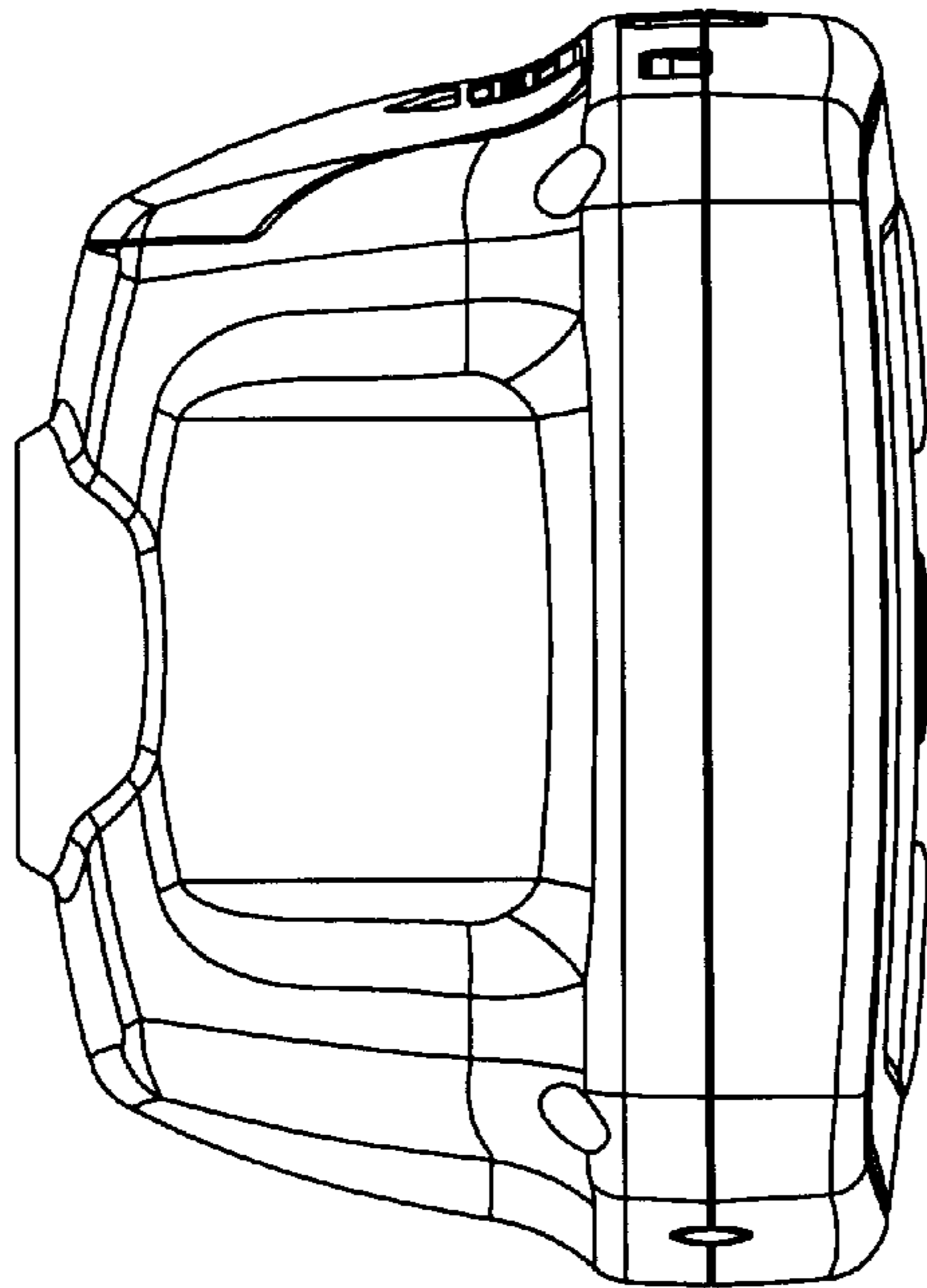


Fig. 6.

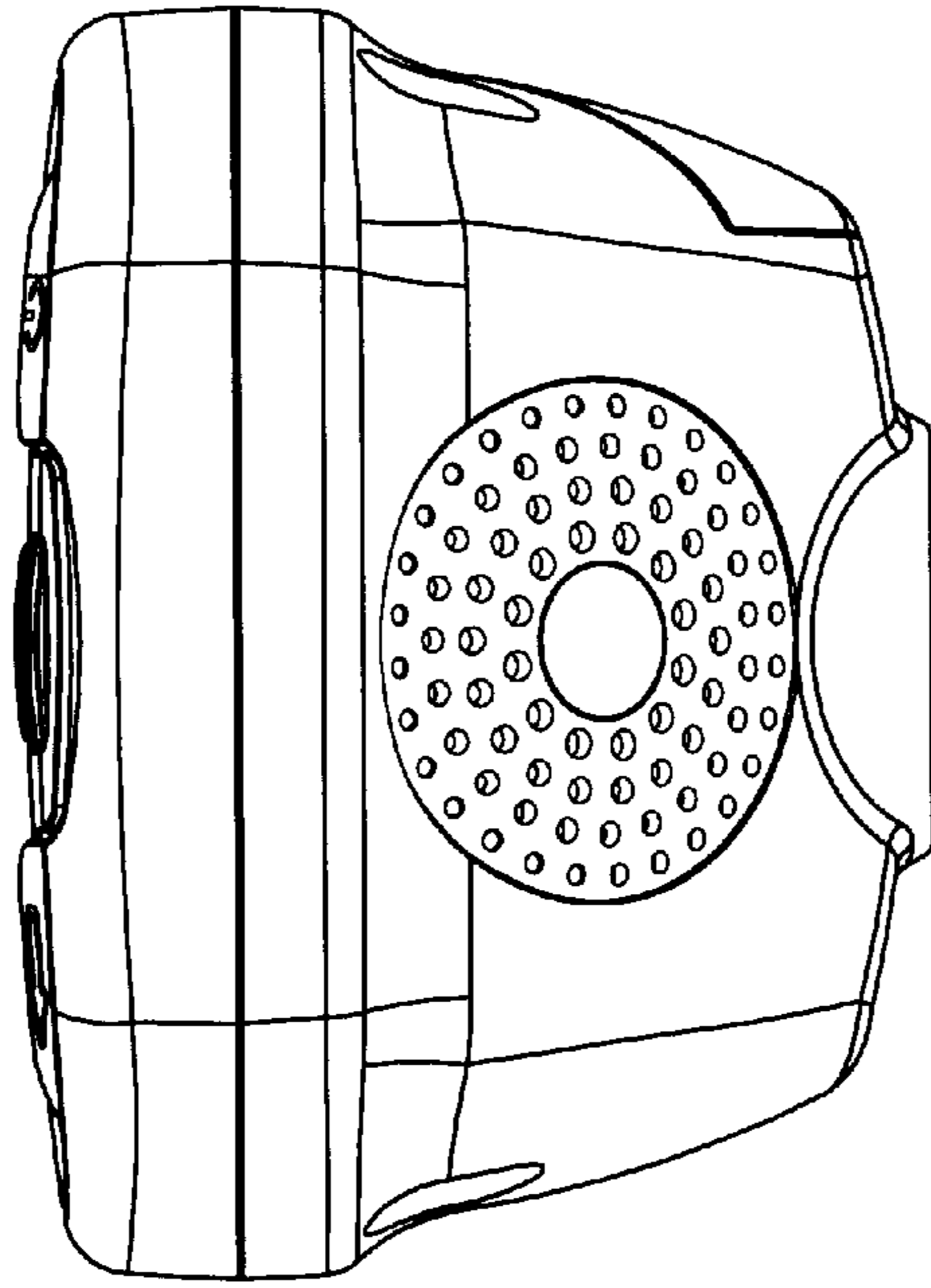


Fig. 7.