



US00D540698S

(12) **United States Design Patent**
Tomimatsu et al.

(10) **Patent No.:** **US D540,698 S**

(45) **Date of Patent:** **** Apr. 17, 2007**

(54) **WATCH CASE**

(75) Inventors: **Daisuke Tomimatsu**, Kogane (JP);
Youichi Katano, Akishima (JP)

(73) Assignee: **Casio Keisanki Kabushiki Kaisha**,
Tokyo (JP)

(**) Term: **14 Years**

(21) Appl. No.: **29/264,003**

(22) Filed: **Aug. 2, 2006**

(51) **LOC (8) Cl.** **10-02**

(52) **U.S. Cl.** **D10/38**

(58) **Field of Classification Search** D10/30-39;
368/276-278, 281-283, 285, 294, 295, 28-30,
368/82-84, 223, 226, 239-242, 21, 228
See application file for complete search history.

(56) **References Cited**

U.S. PATENT DOCUMENTS

D418,430 S	*	1/2000	Moriai	D10/30
D426,780 S	*	6/2000	Goto et al.	D10/30
D430,807 S	*	9/2000	Moriai	D10/30
D451,825 S	*	12/2001	Hanagata	D10/30
D456,276 S	*	4/2002	Shiraishi	D10/30

D489,999 S	*	5/2004	Yamamoto	D10/30
D504,829 S	*	5/2005	Moriai	D10/30
D509,216 S	*	9/2005	Yamamoto et al.	D14/344
D525,882 S	*	8/2006	Yamamoto et al.	D10/38
D526,213 S	*	8/2006	Moriai et al.	D10/38
D526,214 S	*	8/2006	Morishima et al.	D10/38
D526,578 S	*	8/2006	Ikezu et al.	D10/38
D527,282 S	*	8/2006	Nakai et al.	D10/38

* cited by examiner

Primary Examiner—Lucy Lieberman

(74) *Attorney, Agent, or Firm*—Frishauf, Holtz, Goodman
& Chick, P.C.

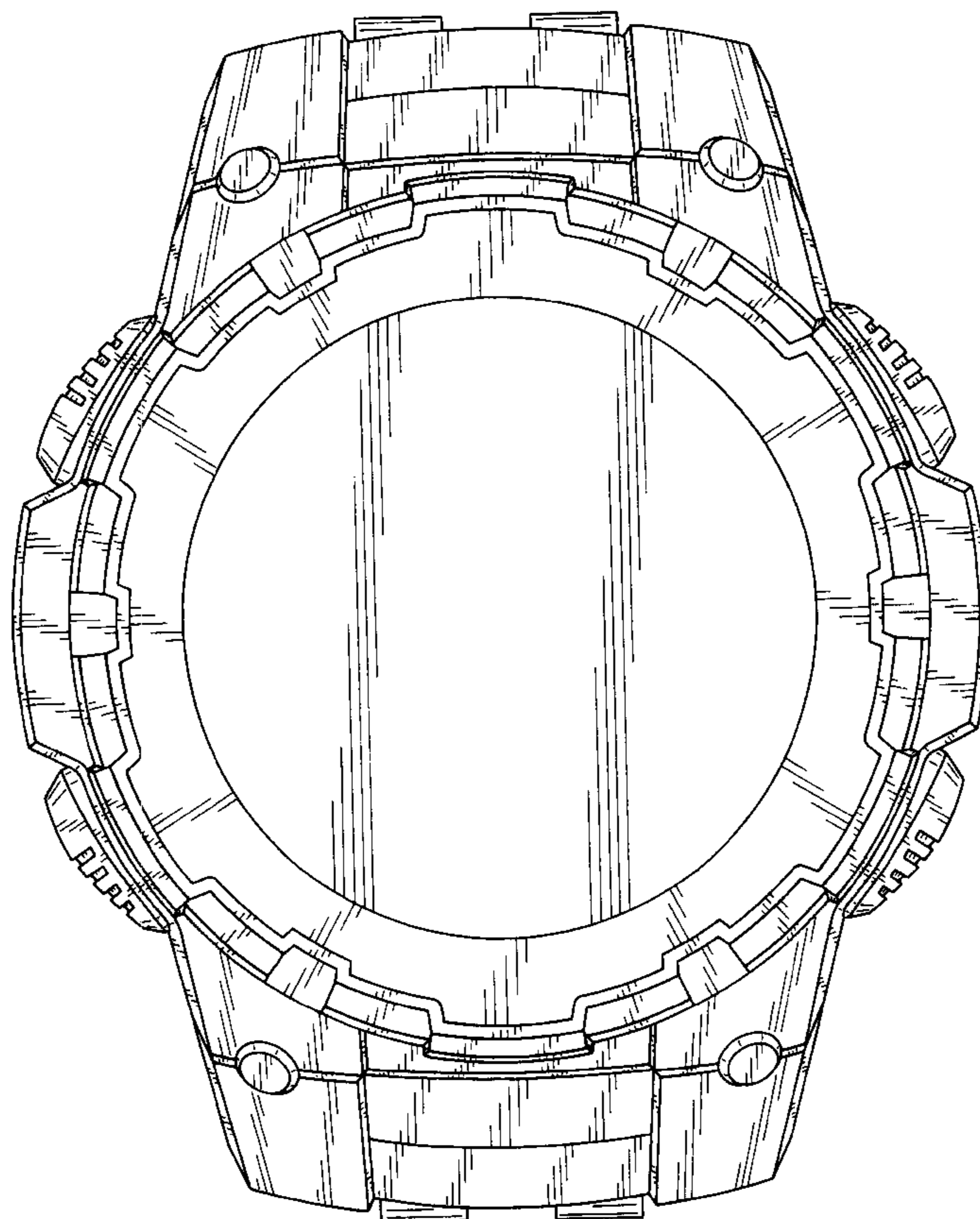
(57) **CLAIM**

The ornamental design for a watch case, as shown.

DESCRIPTION

FIG. 1 is a front, right side, bottom perspective view of a watch case showing our new design; FIG. 2 is a front elevational view thereof; FIG. 3 is a rear elevational view thereof; FIG. 4 is a left side view thereof; FIG. 5 is a right side view thereof; FIG. 6 is a top plan view thereof; and, FIG. 7 is a bottom plan view thereof.

1 Claim, 6 Drawing Sheets



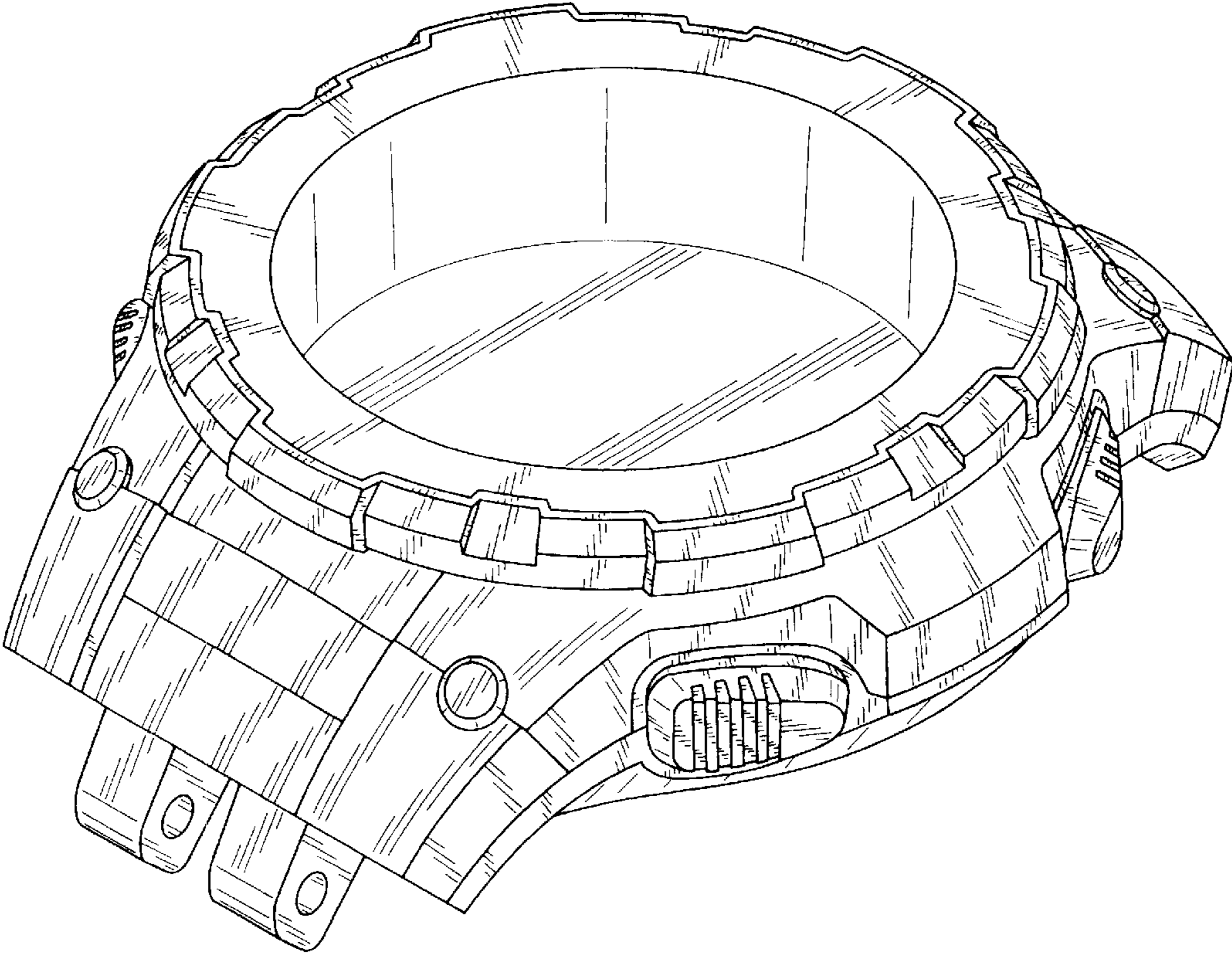


FIG. 1

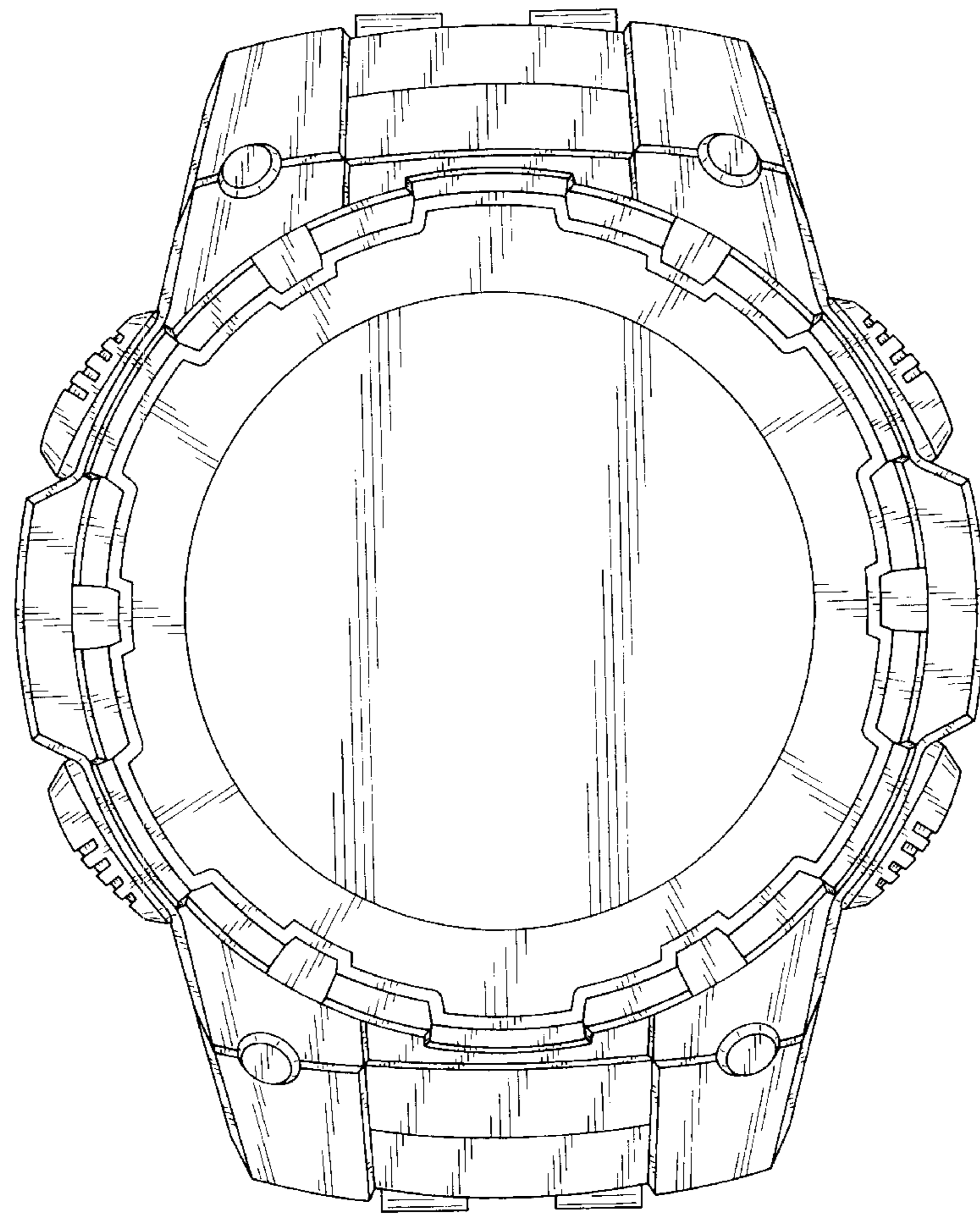


FIG. 2

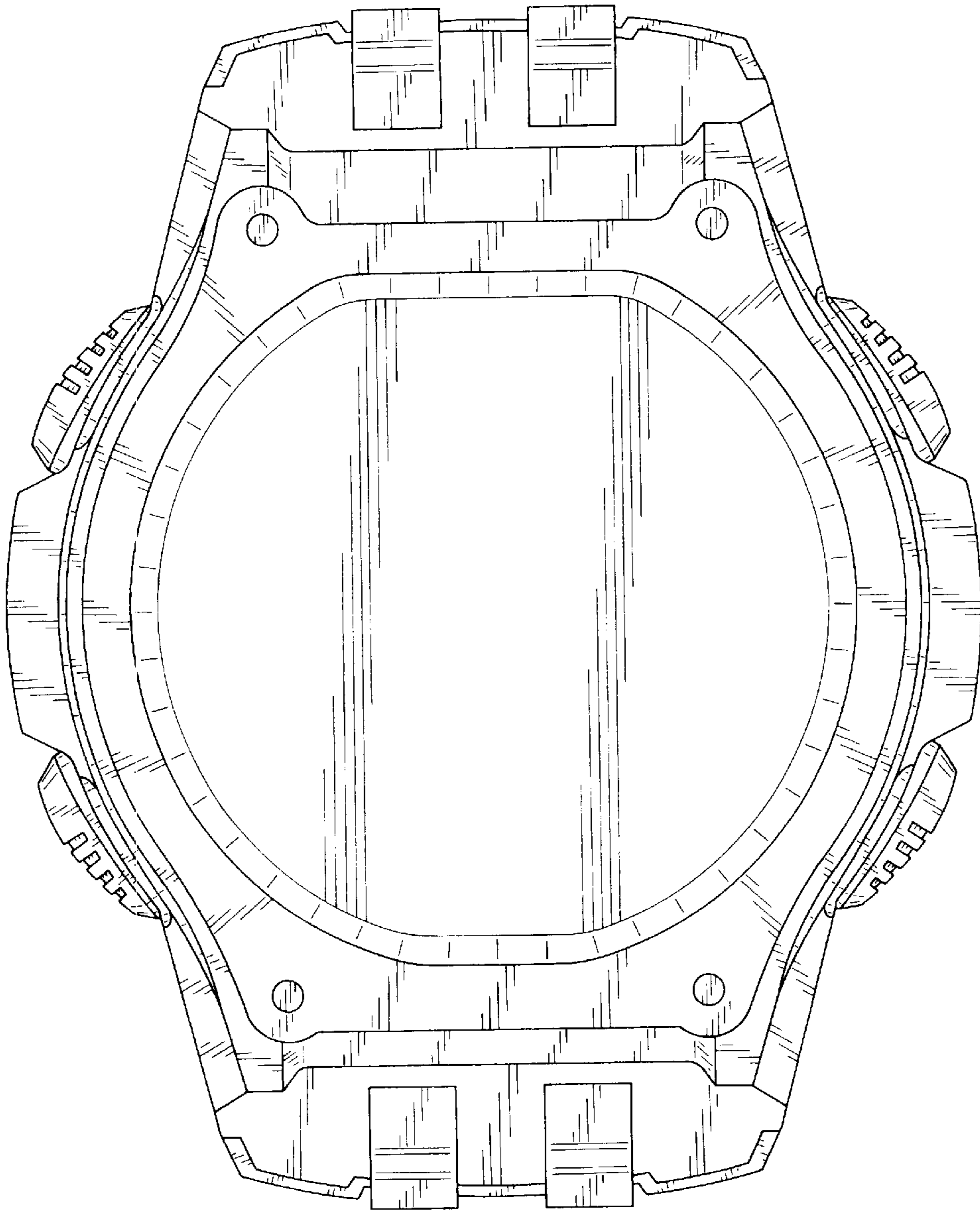


FIG. 3

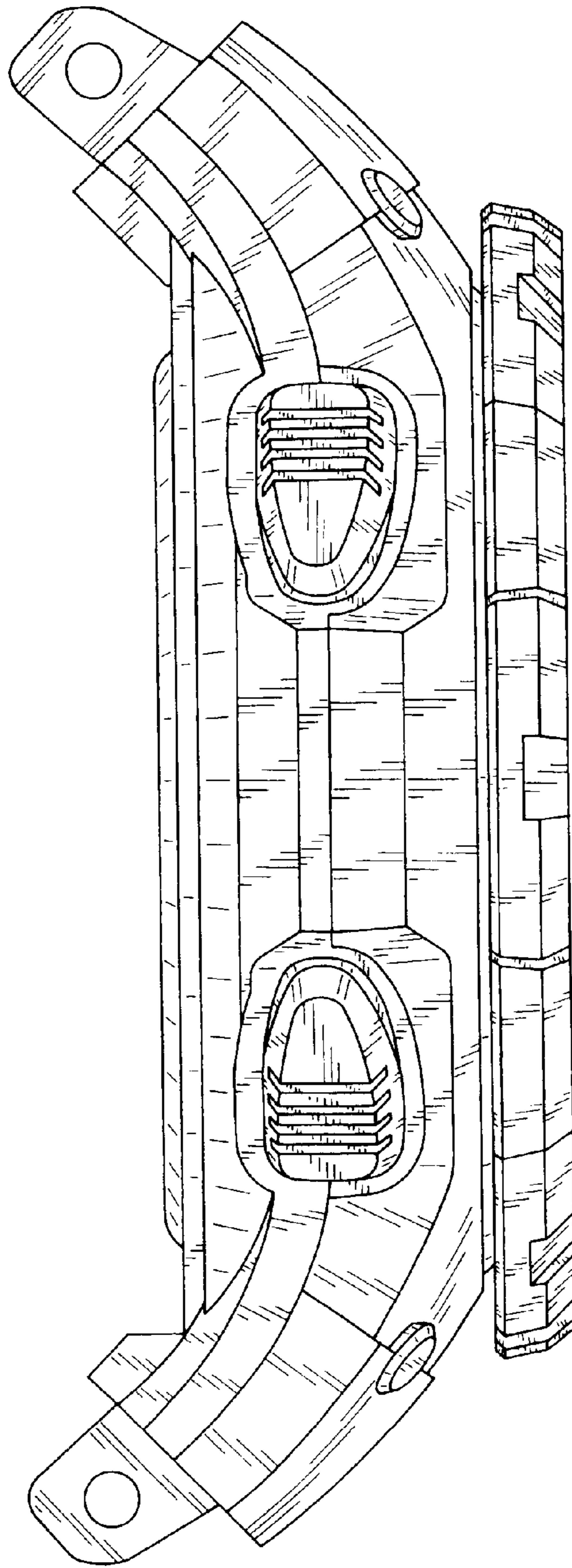


FIG. 4

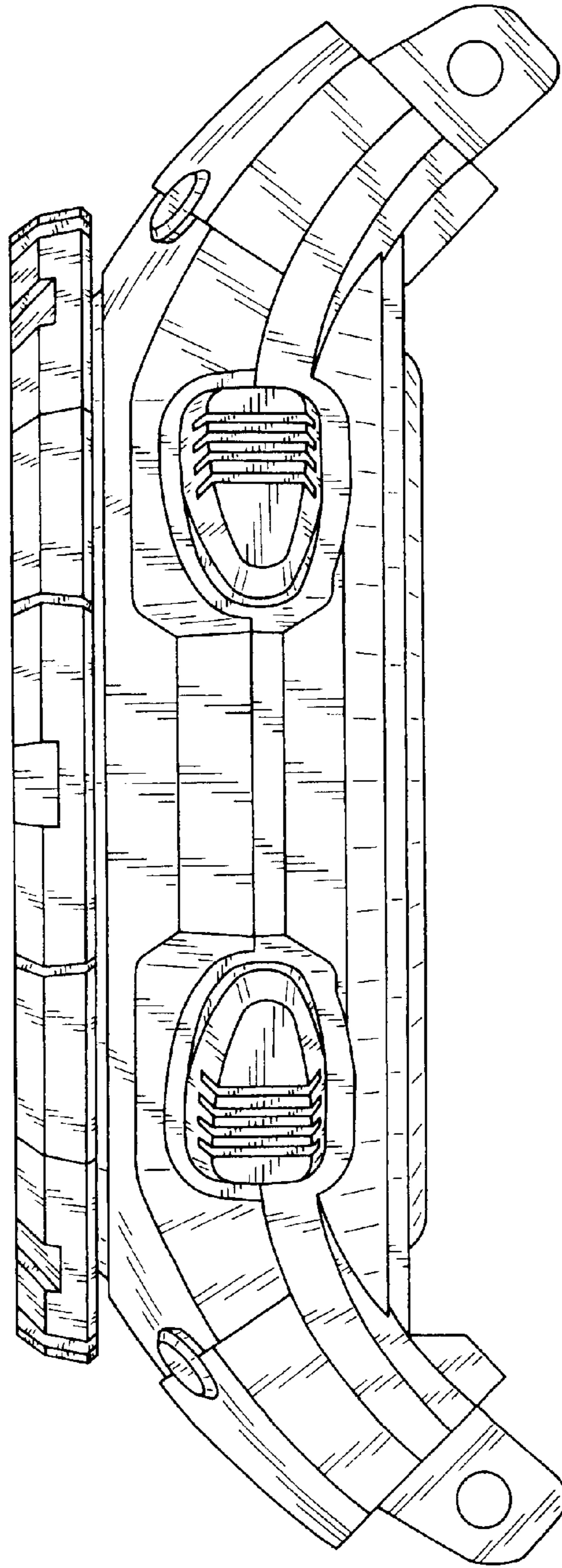


FIG. 5

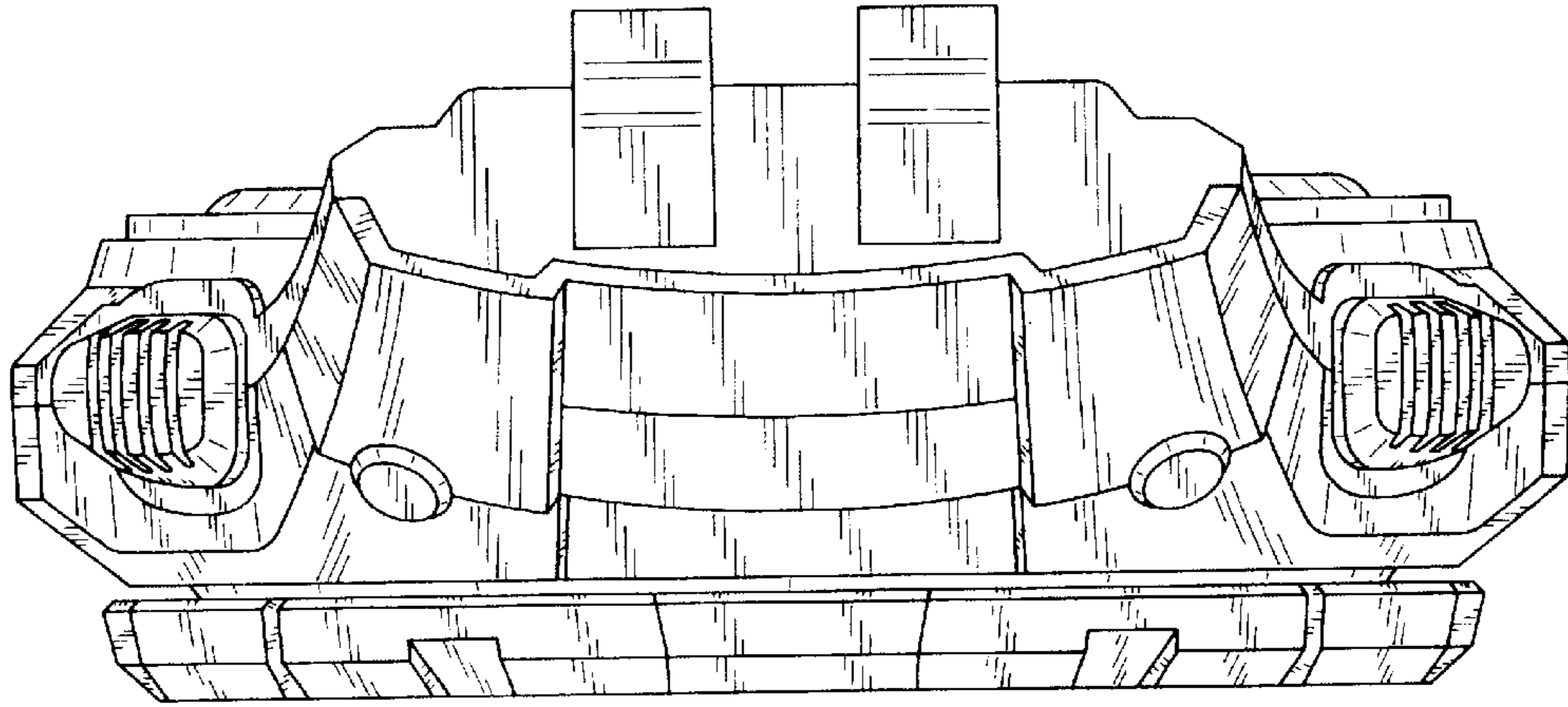


FIG. 6

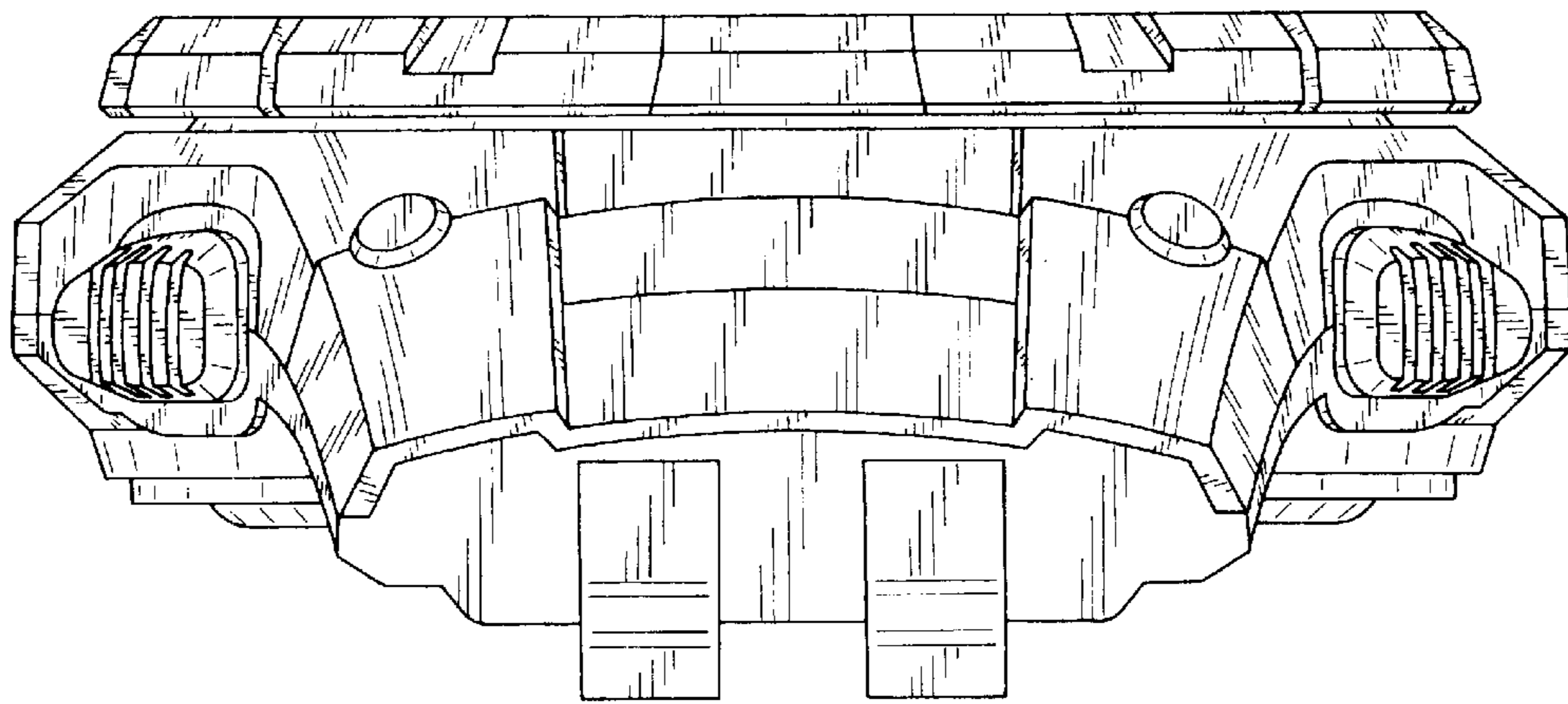


FIG. 7