

US00D540690S

(12) **United States Design Patent**
Adler et al.

(10) **Patent No.:** **US D540,690 S**
(45) **Date of Patent:** **** Apr. 17, 2007**

(54) **BOTTLE**

FOREIGN PATENT DOCUMENTS

(75) Inventors: **Deborah B. Adler**, New York, NY (US); **Klaus Rosburg**, New York, NY (US); **Patrick Douglas**, Minneapolis, MN (US); **Matthew S. Grisik**, Rosemount, MN (US)

DE 3723671 C2 8/1988
EP 0 316 636 5/1989

(Continued)

(73) Assignee: **Target Brands, Inc.**, Minneapolis, MN (US)

OTHER PUBLICATIONS

English Abstract of DE3723671.

(Continued)

(**) Term: **14 Years**

Primary Examiner—Ian Simmons

Assistant Examiner—Dana Sipos

(21) Appl. No.: **29/222,067**

(74) *Attorney, Agent, or Firm*—Dicke, Billig & Czaja, P.L.L.C.

(22) Filed: **Jan. 25, 2005**

(57) **CLAIM**

(51) **LOC (8) Cl.** **09-01**

The ornamental design for a bottle, as shown and described.

(52) **U.S. Cl.** **D9/563; D9/564; D9/574**

DESCRIPTION

(58) **Field of Classification Search** D9/516,
D9/521–522, 530, 541–543, 560, 563–564,
D9/566, 569–570, 572–575; 215/379, 381–384;
220/660, 662, 669–670, 674–675

FIG. 1 is a top, right side and front perspective view of a bottle of the present invention, with the label and card insert removed for ease of illustration;

FIG. 2 is a front elevational view thereof;

FIG. 3 is a rear elevational view thereof;

FIG. 4 is a left side elevational view thereof, the right side elevational view being a mirror image;

FIG. 5 is a top plan view thereof;

FIG. 6 is a bottom plan view thereof;

FIG. 7 is a top, left side, front perspective view of a second embodiment showing the bottle of FIG. 1 with a neck ring;

FIG. 8 is a front elevational view thereof;

FIG. 9 is a top, right side, front perspective view of a third embodiment showing a label applied to the bottle of FIG. 1;

FIG. 10 is a rear elevational view thereof;

FIG. 11 is a top, right side, front perspective view of a fourth embodiment showing a label applied to the bottle of FIG. 1 and an added card insert; and,

FIG. 12 is a left side elevational view thereof.

The broken lines shown in the drawings are for illustrative purposes only and form no part of the claimed design.

See application file for complete search history.

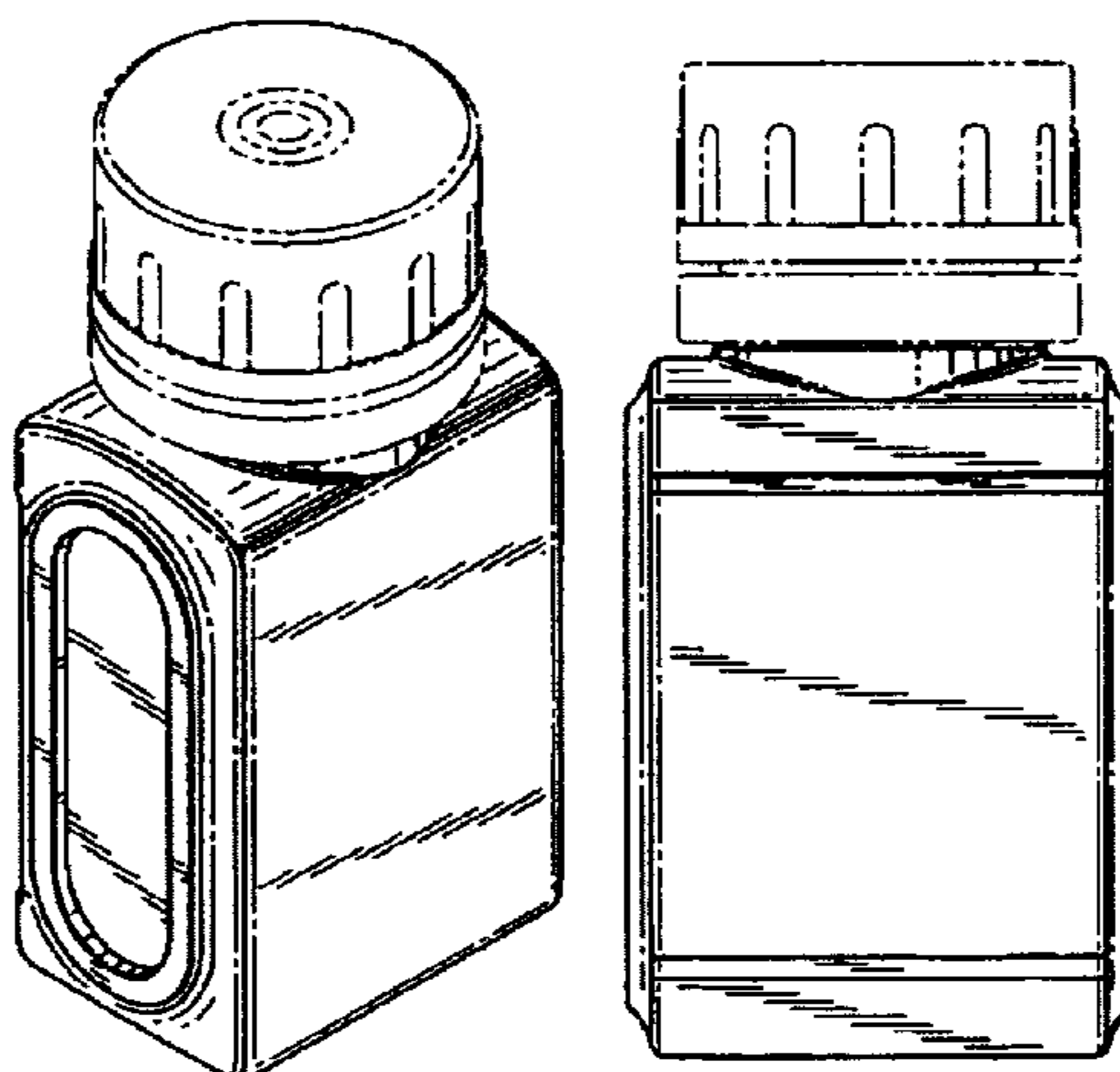
(56) **References Cited**

U.S. PATENT DOCUMENTS

D18,997 S	*	4/1889	Underhill	D9/544
406,017 A		6/1889	Woodward et al.		
605,213 A		6/1898	Weller		
624,701 A		5/1899	Stevenson		
716,793 A		12/1902	Vogeler		
D45,565 S		4/1914	Lloyd		
1,181,098 A		4/1916	Lambert		
1,289,218 A		12/1918	Maiden		
1,554,191 A		9/1925	Alexander		
1,653,608 A		12/1927	Allen		
1,686,354 A		10/1928	Wallace		
1,769,147 A		7/1930	Lennon		
1,850,369 A		3/1932	Andrews		
2,110,768 A		3/1938	Kellogg		
D128,282 S		7/1941	Gelinas et al.		

(Continued)

1 Claim, 6 Drawing Sheets



US D540,690 S

U.S. PATENT DOCUMENTS					
			5,588,239 A	12/1996	Anderson
			5,601,314 A	2/1997	Burns et al.
			5,642,906 A	7/1997	Foote et al.
			5,660,138 A	8/1997	Hirsch
			5,662,239 A	9/1997	Heuvelman
			5,704,144 A	1/1998	Groth
			5,704,648 A	1/1998	Brown et al.
			5,718,347 A	2/1998	Walker et al.
			5,719,828 A	2/1998	Haas et al.
			5,729,922 A	3/1998	Peterson et al.
			5,760,975 A	6/1998	DiGiovanni
			D395,828 S	7/1998	Lecoule
			5,779,072 A	7/1998	Krebs
			5,788,974 A	8/1998	D'Amico et al.
			5,799,815 A	9/1998	Lang
			5,800,144 A	9/1998	Glenn et al.
			5,829,789 A	11/1998	Treleaven et al.
			5,887,736 A	3/1999	Mar
			5,918,758 A	7/1999	Galton-Fenzi
			5,980,352 A	11/1999	Rigberg
			6,003,902 A	12/1999	Petkovsek
			6,023,865 A	2/2000	Preuss
			6,068,300 A	5/2000	Vijuk et al.
			6,081,392 A	6/2000	Pensmith
			6,086,702 A	7/2000	Rea
			6,196,593 B1	3/2001	Petrick et al.
			6,209,921 B1	4/2001	Hogan et al.
			6,220,439 B1	4/2001	Virvo
			6,226,564 B1	5/2001	Stuart
			6,241,844 B1	6/2001	Petkovsek
			6,270,121 B1	8/2001	Dolan et al.
			6,278,545 B1	8/2001	Napier
			6,360,462 B1	3/2002	Mengel
			6,366,401 B1	4/2002	Gonda et al.
			6,367,639 B1	4/2002	Mar
			6,367,640 B1	4/2002	Julian
			6,386,367 B1	5/2002	Bayliss, IV
			6,491,164 B1	12/2002	Virvo
			6,549,345 B1	4/2003	Cardarelli
			6,568,530 B2	5/2003	Takahashi et al.
			6,594,928 B1	7/2003	Clawson et al.
			D480,002 S	9/2003	Canepa
			6,621,629 B2	9/2003	Blumenthal et al.
			D480,960 S	10/2003	Gray et al.
			6,669,804 B2	12/2003	Pendry et al.
			6,681,945 B1	1/2004	Harrold
			6,712,398 B1	3/2004	Fox et al.
			6,745,505 B2	6/2004	Moran
			D497,311 S	10/2004	Walsh et al.
			6,860,390 B2	3/2005	Bowman
			2001/0017817 A1	8/2001	De La Huerga
			2001/0054817 A1	12/2001	Kelley et al.
			2002/0020088 A1	2/2002	Kreutner
			2002/0041091 A1	4/2002	Eippert
			2002/0063739 A1	5/2002	Gosden et al.
			2002/0088732 A1	7/2002	Takahashi et al.
			2002/0129758 A1	9/2002	Hanley et al.
			2002/0162261 A1	11/2002	West et al.
			2002/0171238 A1	11/2002	Kozlowski et al.
			2003/0025320 A1	2/2003	Shoemaker
			2003/0028392 A1	2/2003	Davies
			2003/0091687 A1	5/2003	Copelan
			2003/0127351 A1	7/2003	Takahashi et al.
			2003/0192211 A1	10/2003	Elias
			2003/0193185 A1	10/2003	Valley et al.
			2003/0205897 A1	11/2003	Kaufman
			2003/0214129 A1	11/2003	Adler
			2004/0050750 A1	3/2004	Hannan et al.
			2004/0056479 A1	3/2004	Fox et al.
			2004/0075272 A1	4/2004	Kaufman
			2004/0193454 A1	9/2004	Foote et al.
2,270,277 A	1/1942	Dowd			
D132,185 S	4/1942	McIntosh			
2,328,806 A	9/1943	Hooper			
2,844,893 A	7/1958	Keller			
2,847,971 A	8/1958	Painter			
2,961,108 A	11/1960	Johnson			
3,256,978 A	6/1966	Srigley et al.			
3,423,861 A	1/1969	Forsyth			
3,433,378 A	3/1969	Ross			
3,757,994 A	9/1973	Skoetsch			
3,787,993 A	1/1974	Lyon			
3,822,780 A	7/1974	Ulmer et al.			
3,826,222 A	7/1974	Romick			
3,850,326 A	11/1974	Ryles			
3,923,180 A	12/1975	Fields			
3,996,879 A	12/1976	Walton			
4,022,352 A	5/1977	Pehr			
4,044,889 A	8/1977	Orentreich et al.			
4,064,645 A	12/1977	Wood			
RE29,793 E	10/1978	Pehr			
4,143,786 A	3/1979	Goldberg et al.			
4,150,760 A	4/1979	d'Orgelys			
D255,054 S	5/1980	Kingsford			
4,246,709 A	1/1981	Selleslags			
4,263,734 A	4/1981	Bradshaw			
4,284,200 A	8/1981	Bush et al.			
4,334,638 A	6/1982	Stock			
D270,998 S	10/1983	Stark			
4,535,903 A	8/1985	Franchi			
D280,601 S	9/1985	Biesecker			
D282,909 S	3/1986	Biesecker			
D285,535 S	9/1986	Buchholz et al.			
4,732,411 A	3/1988	Siegel			
4,799,712 A	1/1989	Biava et al.			
4,813,570 A	3/1989	Pontoppidan			
4,863,026 A	9/1989	Perkowski			
4,868,027 A	9/1989	Hunkeler et al.			
4,883,180 A	11/1989	Humphrey et al.			
D305,505 S	* 1/1990	Kunesh D9/529			
4,890,742 A	1/1990	Allison			
4,913,083 A	4/1990	Valvo et al.			
4,918,604 A	4/1990	Baum			
4,919,285 A	4/1990	Roof et al.			
4,941,573 A	7/1990	Fuerstman			
4,972,657 A	11/1990	McKee			
4,991,877 A	2/1991	Lieberman			
5,011,032 A	4/1991	Rollman			
5,020,682 A	6/1991	Dutt			
5,102,169 A	4/1992	Mayfield			
5,145,080 A	9/1992	Imbery, Jr.			
5,165,546 A	11/1992	Jaeger et al.			
5,172,936 A	12/1992	Sullivan et al.			
D333,618 S	3/1993	Patel et al.			
5,193,032 A	3/1993	Hirth			
5,204,775 A	4/1993	McDevitt			
5,261,702 A	11/1993	Mayfield			
D342,452 S	* 12/1993	Monaghan D9/571			
5,284,363 A	2/1994	Gartner et al.			
5,301,802 A	4/1994	Nemeroff			
5,309,279 A	5/1994	Halstead			
5,343,647 A	9/1994	Bulka			
5,346,069 A	9/1994	Intini			
D351,796 S	10/1994	Deddens			
5,351,991 A	10/1994	McDonald			
D355,125 S	2/1995	Patel et al.			
D355,126 S	2/1995	Paulovich et al.			
5,403,636 A	4/1995	Crum			
5,448,844 A	9/1995	Miller, Jr. et al.			
5,476,420 A	12/1995	Manning			
D370,636 S	* 6/1996	Crawford D9/562			

FOREIGN PATENT DOCUMENTS

EP	0146095 B1	8/1989
EP	0609955 B1	4/1998
EP	0609954 B1	7/1998
GB	2 006 713 A	5/1979
WO	WO03/098275	11/2003
WO	2004/048216 A1	6/2004

OTHER PUBLICATIONS

Adler et al., "Pharmacy Bottle System", U.S. Appl. No. 11/042,849, filed Jan. 25, 2005.

Adler et al., "Bottle System", U.S. Appl. No. 29/221,974, filed Jan. 25, 2005.

Adler et al., "Bottle System", U.S. Appl. No. 29/221,984, filed Jan. 25, 2005.

Adler et al., "Pharmacy Bottle System", U.S. Appl. No. 11/042,907, filed Jan. 25, 2005.

Adler et al., "Pharmacy Label System", U.S. Appl. No. 11/042,739, filed Jan. 25, 2005.

Adler, "Medication Packaging and Labeling System", U.S. Appl. No. 10/437,474, filed May 14, 2003.

Adler, "Medication Packaging and Labeling System", U.S. Appl. No. 11/477,286, filed Jun. 28, 2006.

International Search Report from International Application No. PCT/US2005/019401, mailed Jun. 18, 2006 (8 pages).

* cited by examiner

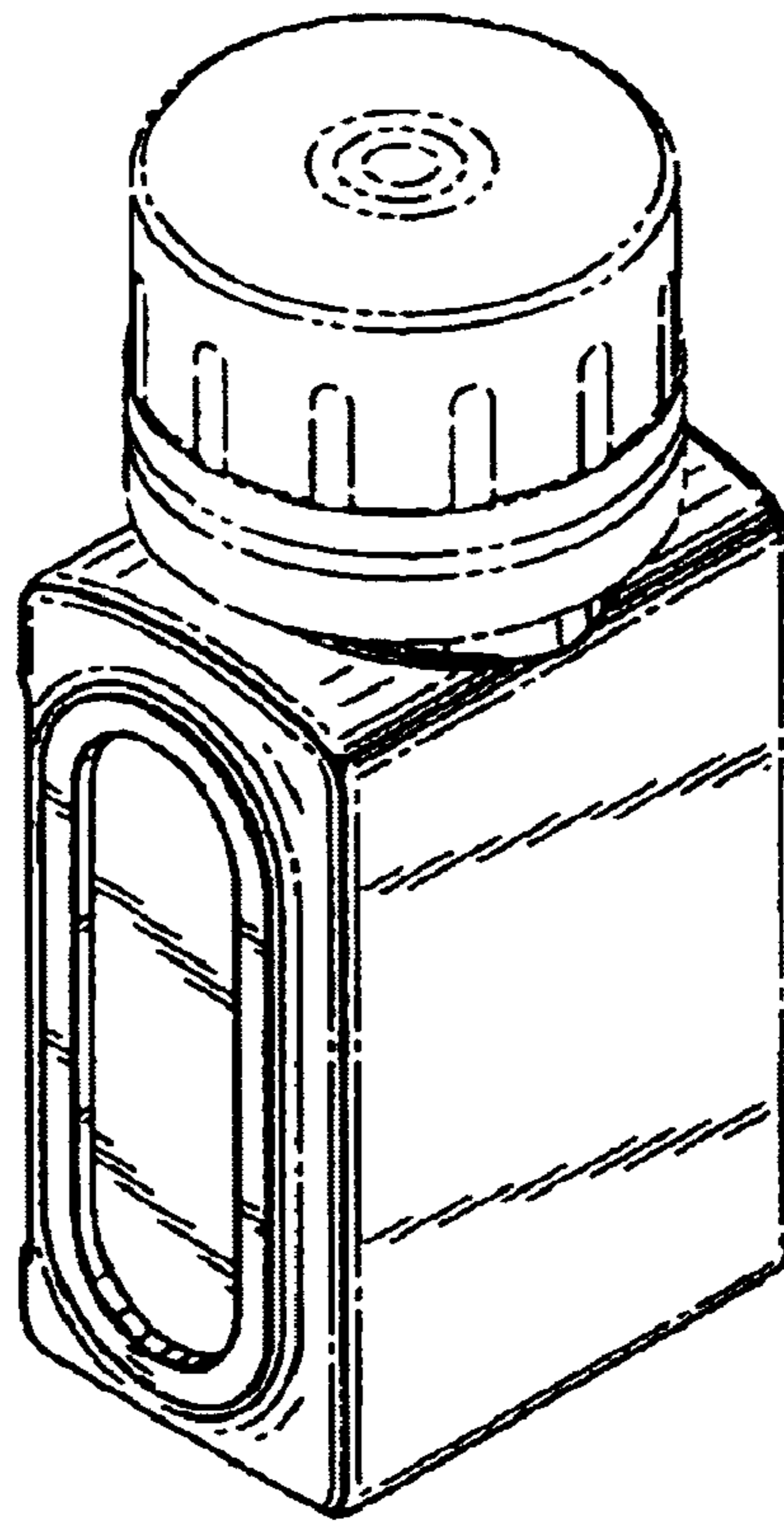


Fig. 1

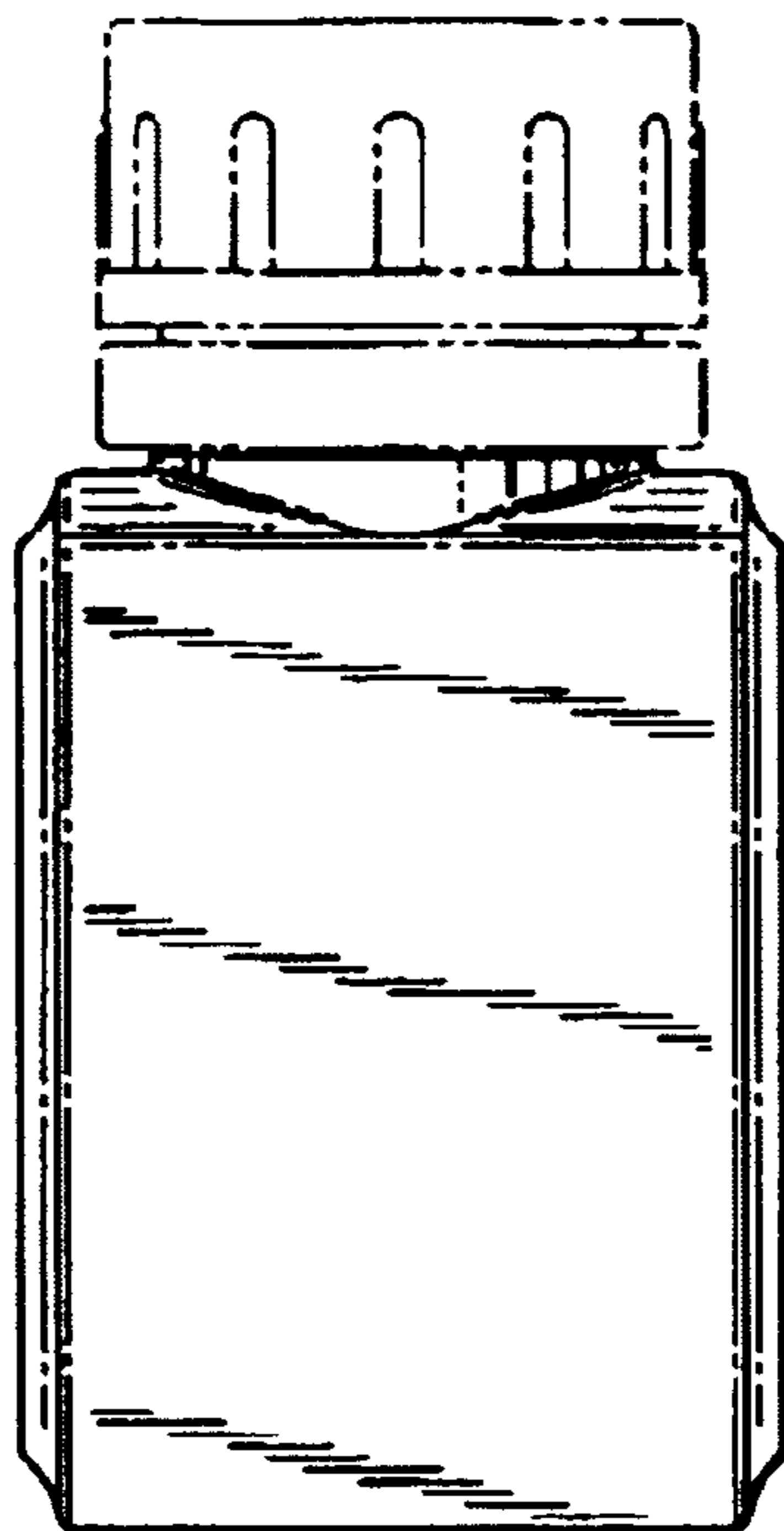


Fig. 2

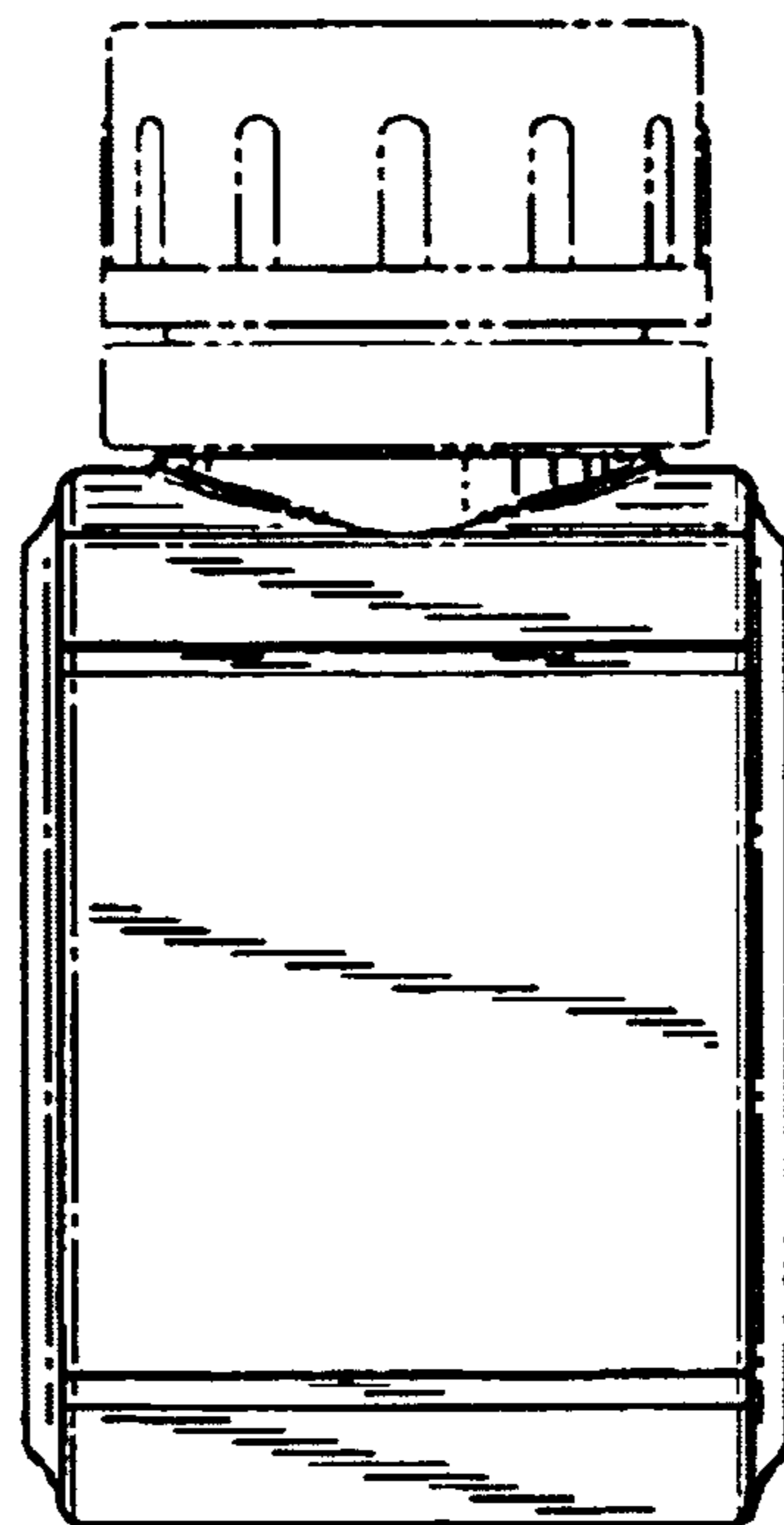


Fig. 3

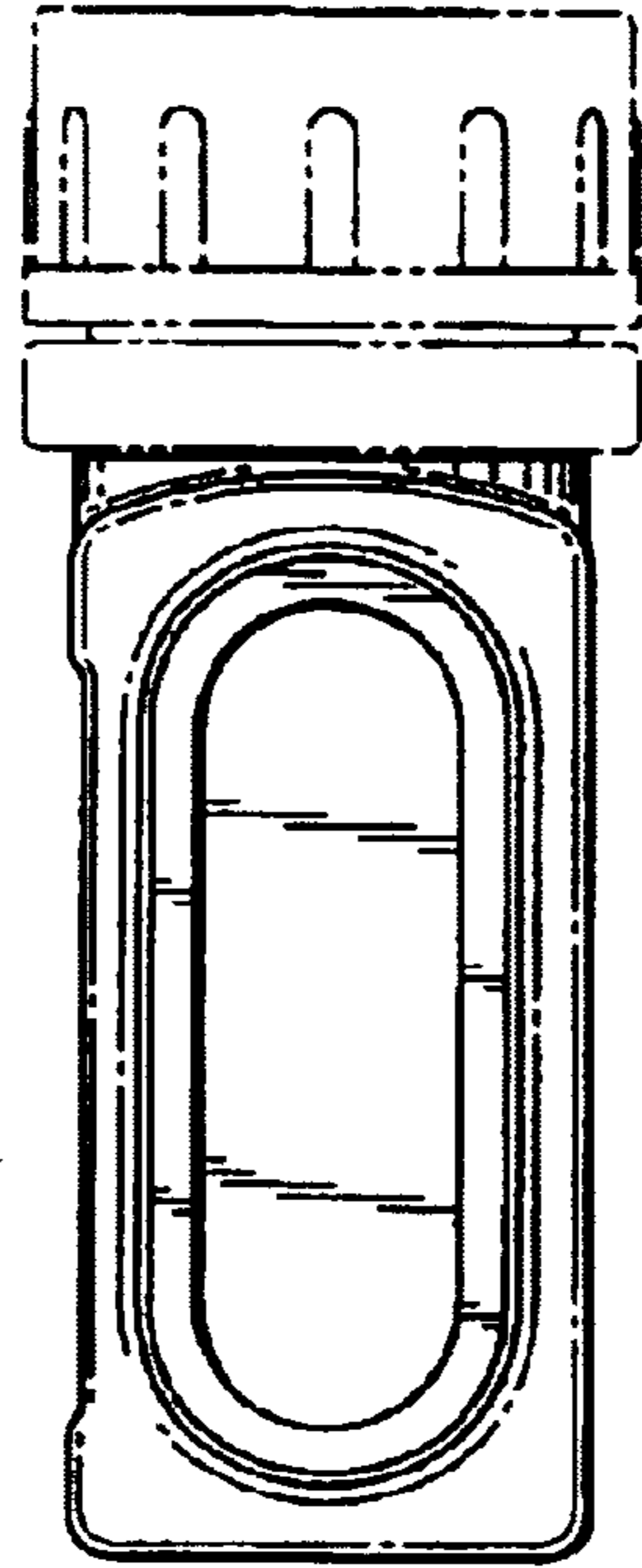


Fig. 4

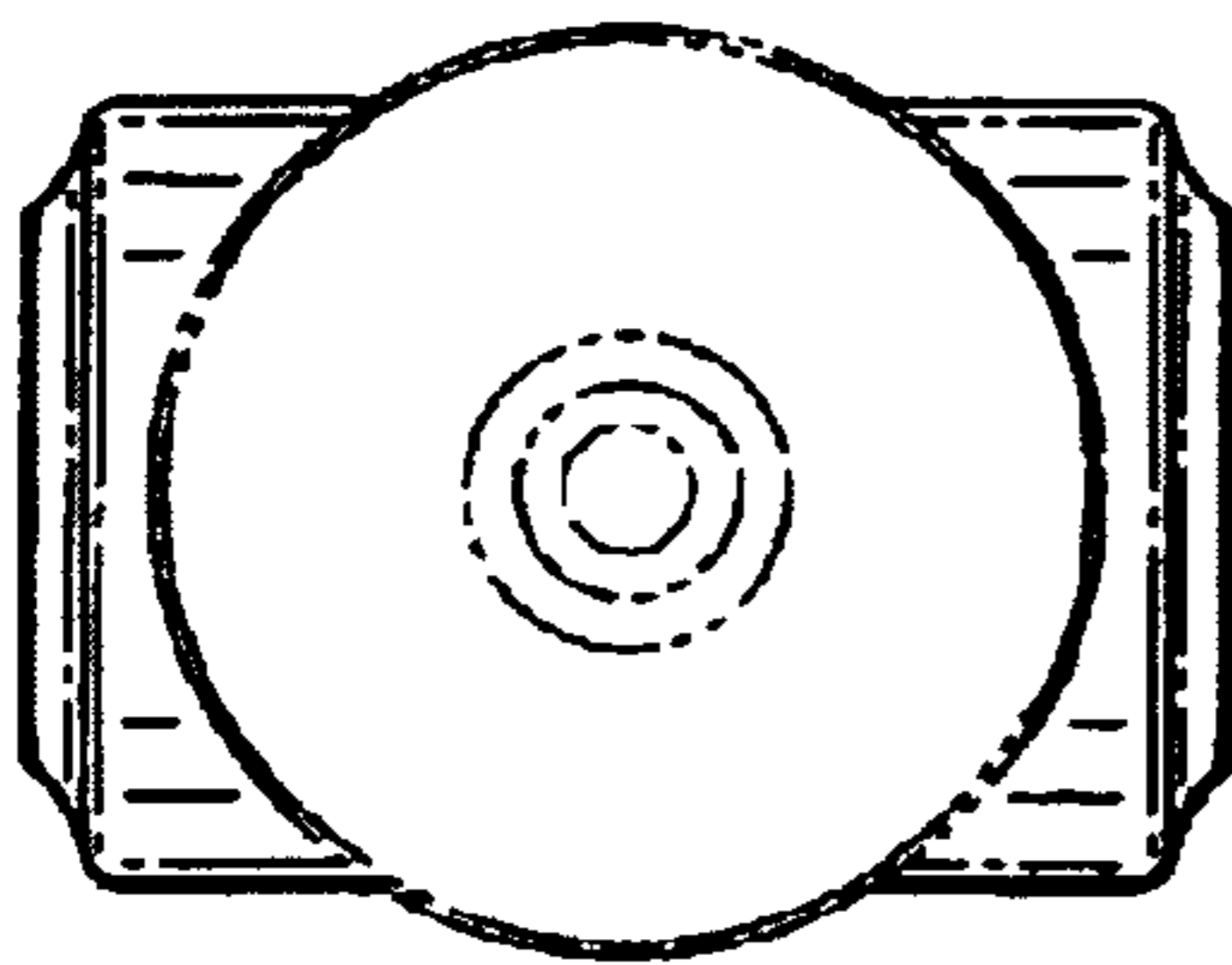


Fig. 5

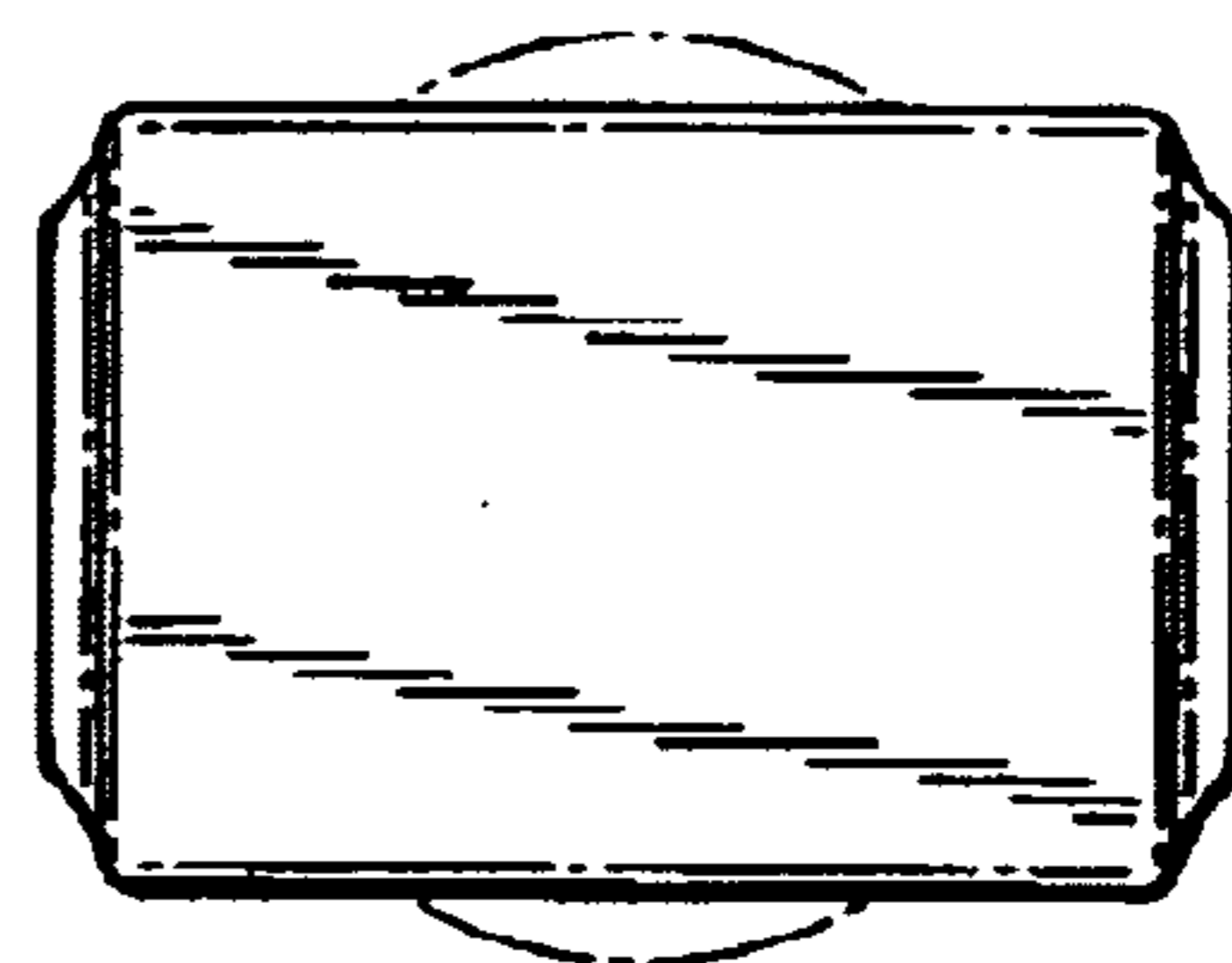


Fig. 6

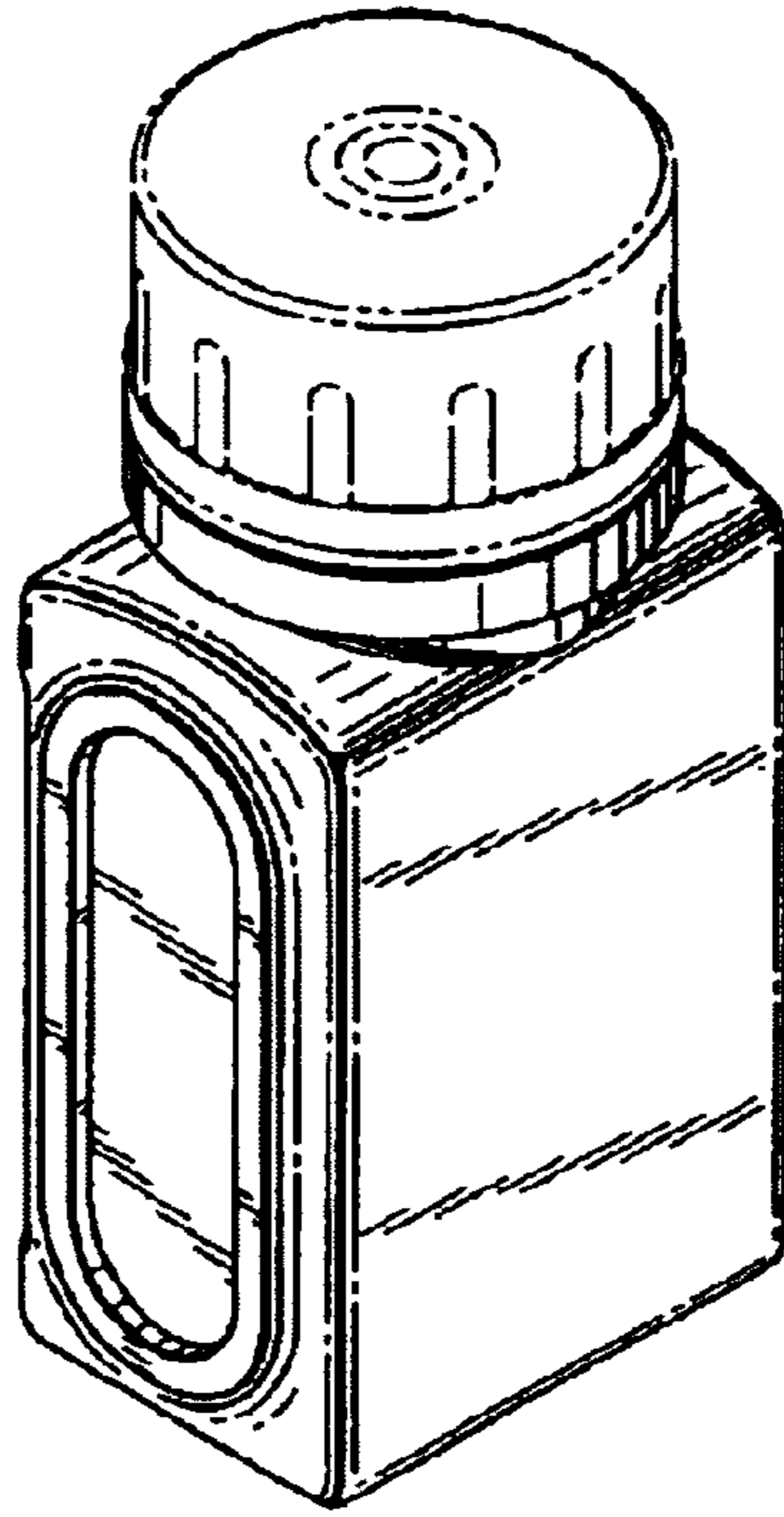


Fig. 7

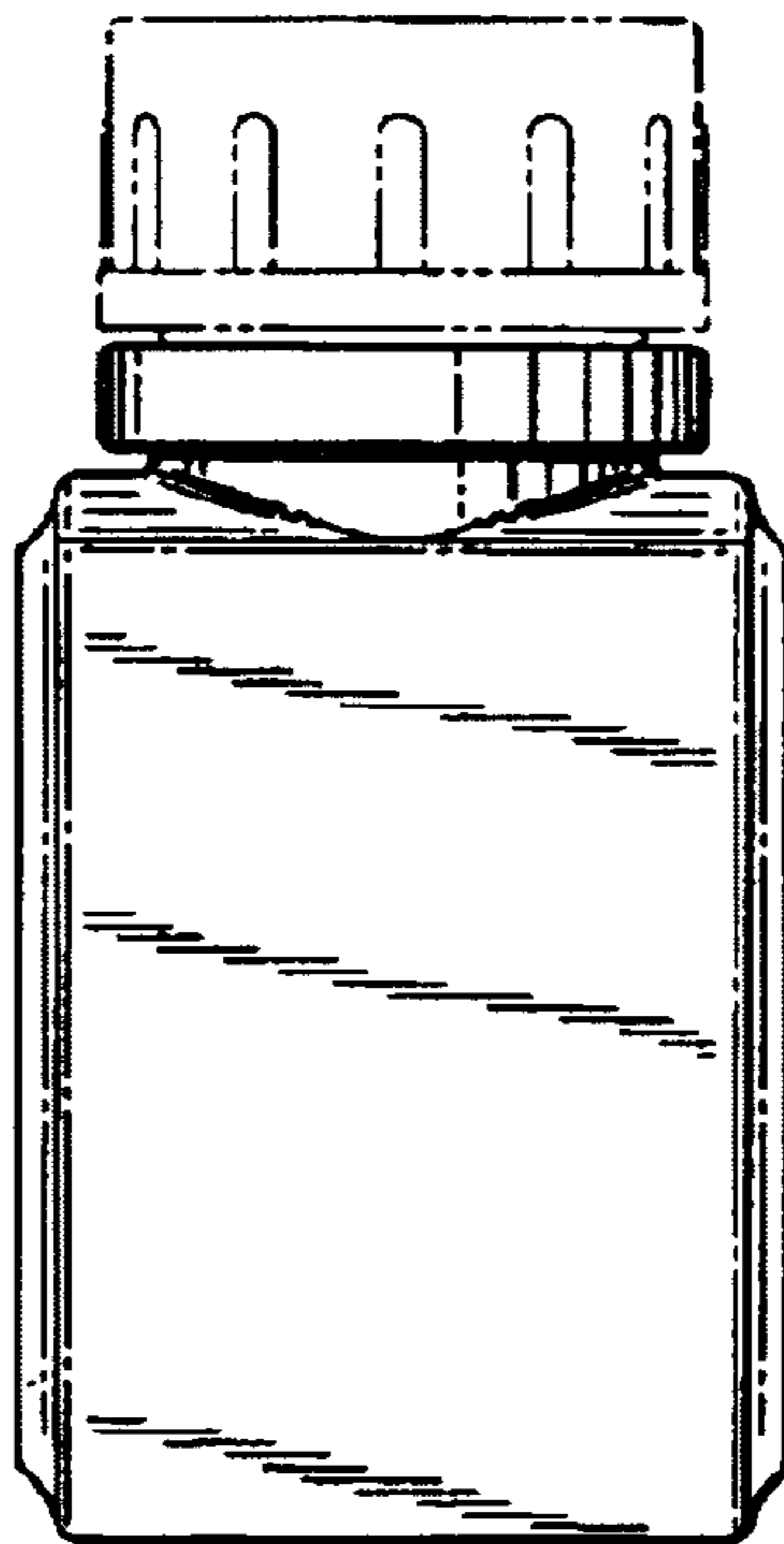


Fig. 8

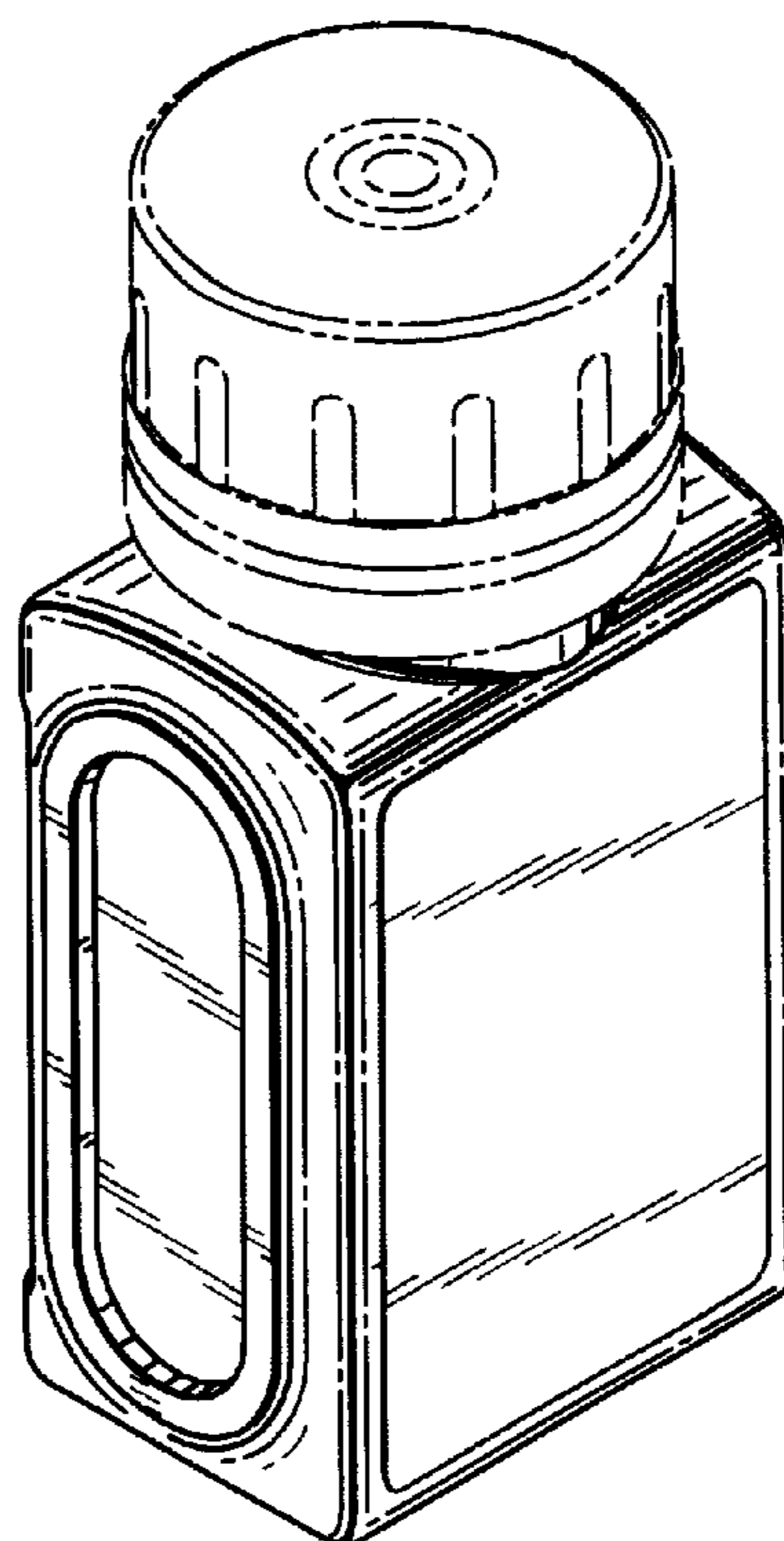


Fig. 9

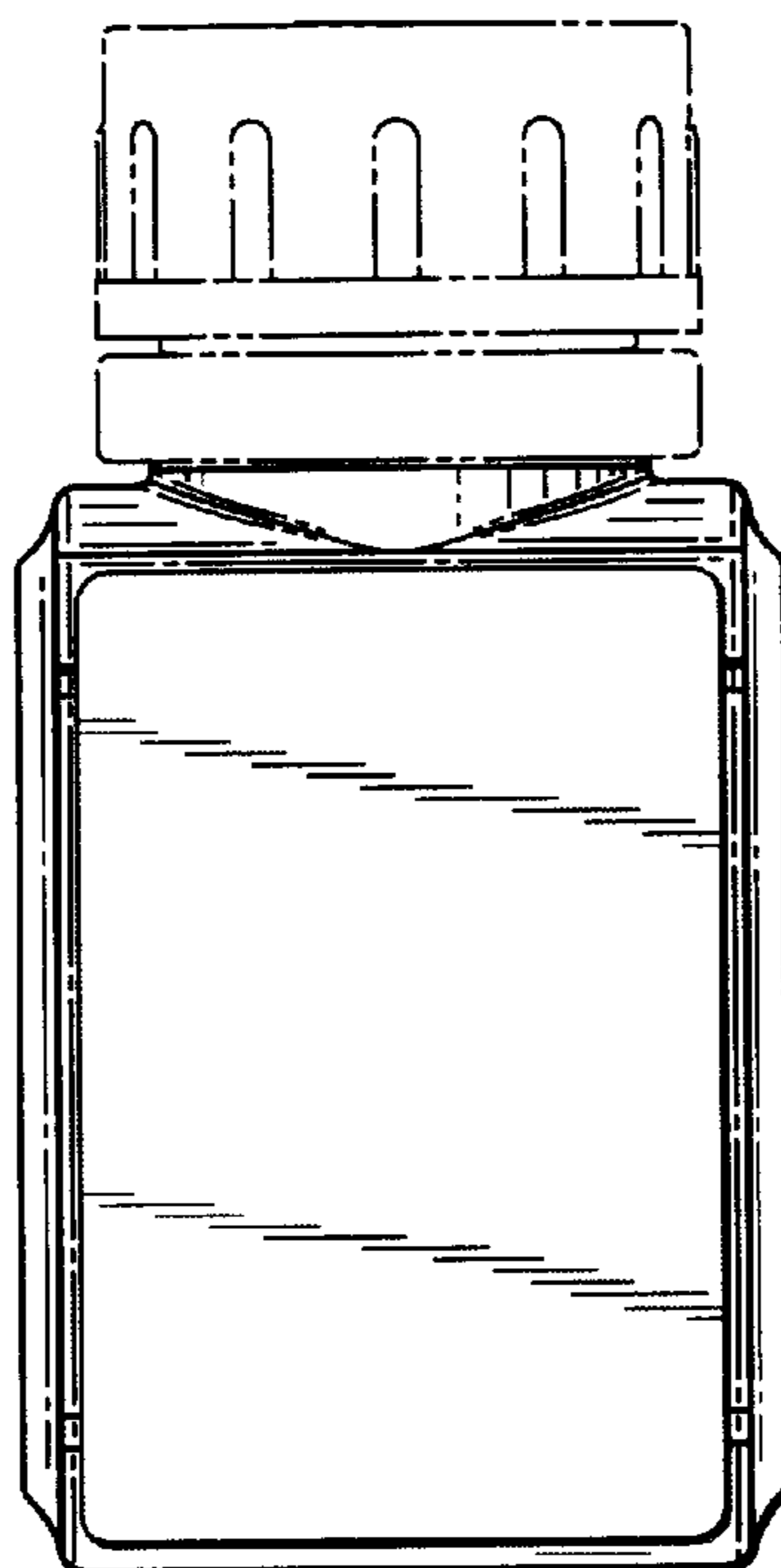


Fig. 10

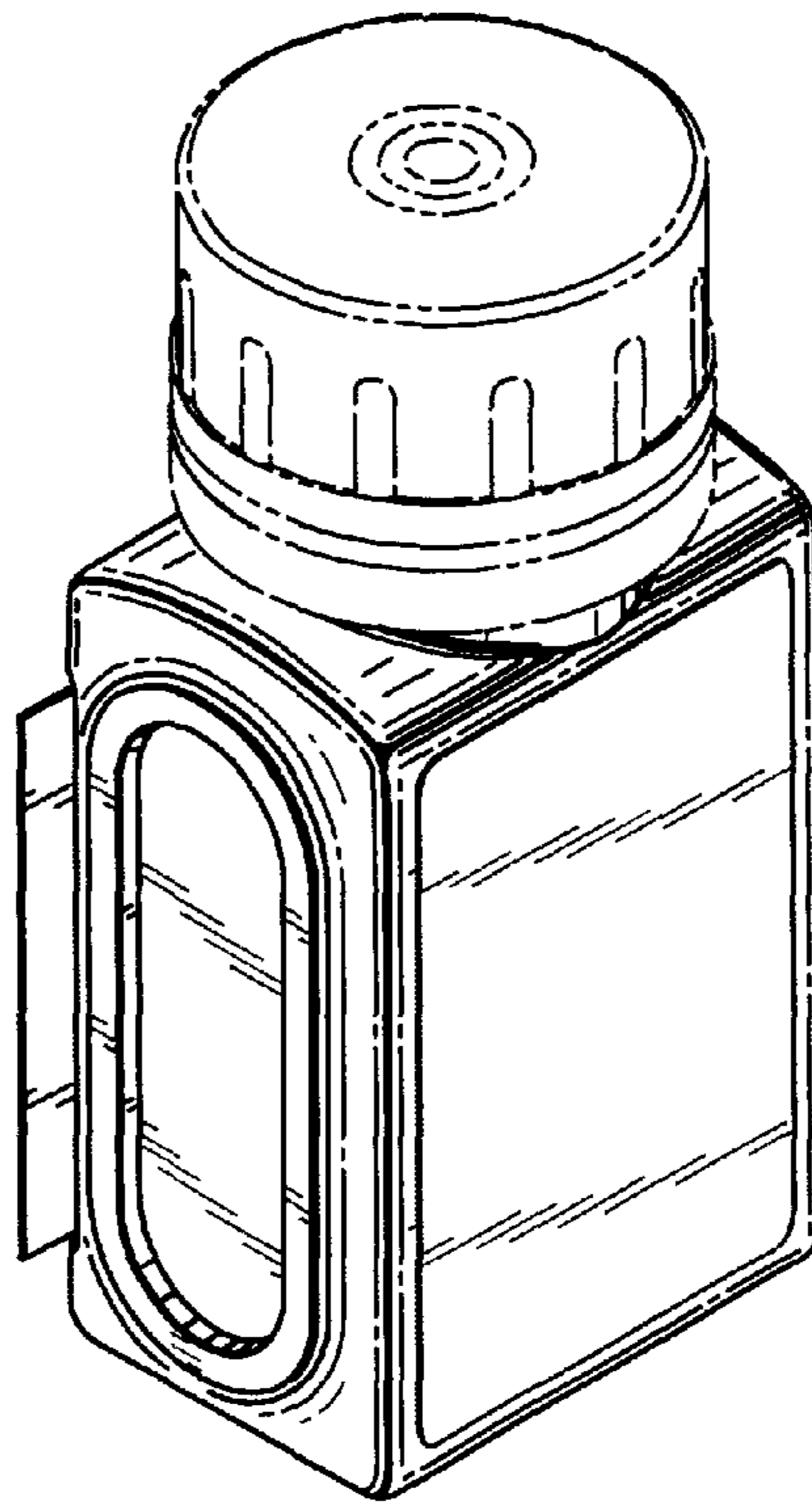


Fig. 11

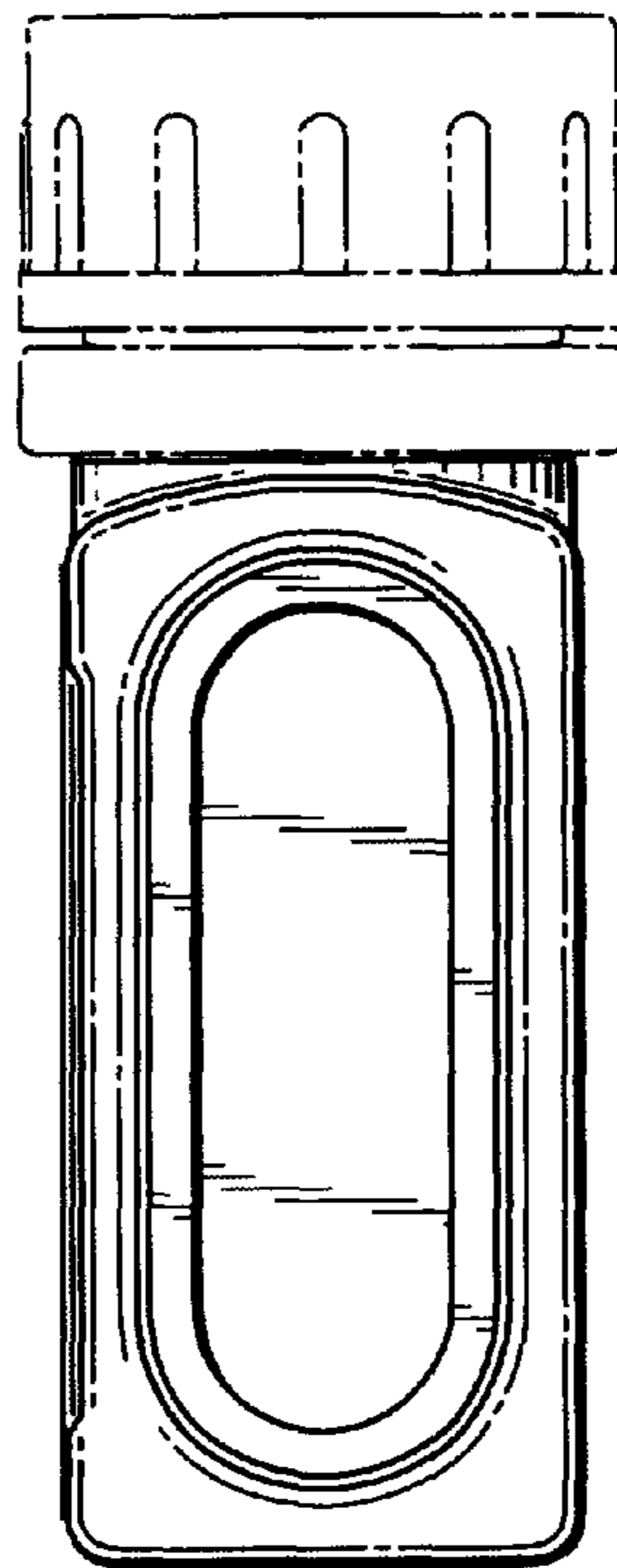


Fig. 12