



US00D540689S

(12) **United States Design Patent**
Dorfmueller

(10) **Patent No.:** **US D540,689 S**
(45) **Date of Patent:** **** Apr. 17, 2007**

(54) **JAR**

D530,208 S * 10/2006 Danne et al. D9/504

(75) Inventor: **Christian Dorfmueller**, Luzern (CH)

FOREIGN PATENT DOCUMENTS

(73) Assignee: **Henkel Kommanditgesellschaft auf Aktien**, Dusseldorf (DE)

EM	000124243-0012	6/2004
EM	000124243-0013	6/2004
EM	000259940-0001	2/2005
ES	149100	11/2000
WO	DM 059277	4/2002

(**) Term: **14 Years**

* cited by examiner

(21) Appl. No.: **29/254,026**

Primary Examiner—Stella Reid
Assistant Examiner—Keli L. Acker

(22) Filed: **Feb. 16, 2006**

(74) *Attorney, Agent, or Firm*—Paul & Paul

(30) **Foreign Application Priority Data**

Aug. 16, 2005 (EM) 000387089

(57) **CLAIM**

(51) **LOC (8) Cl.** **09-01**

The ornamental design for jar, substantially as shown.

(52) **U.S. Cl.** **D9/560**

DESCRIPTION

(58) **Field of Classification Search** D9/516,
D9/520, 529, 544, 546, 560, 571–574, 682,
D9/686, 687, 766, 692–694, 768, 770, 900,
D9/904; D7/614, 615; D19/75, 77, 95, 96;
D28/75; 220/662; 215/382–384

FIG. 1 is a perspective view of a jar, embodying my new design with a lid;
FIG. 2 is a front elevation view thereof, the left, right and rear elevation views being identical thereto;
FIG. 3 is a top plan view thereof;
FIG. 4 is a bottom plan view thereof;
FIG. 5 is a perspective view of a jar without the lid;
FIG. 6 is a front elevation view thereof, the left, right and rear elevation views being identical thereto;
FIG. 7 is a top plan view thereof; and,
FIG. 8 is a bottom plan view thereof.

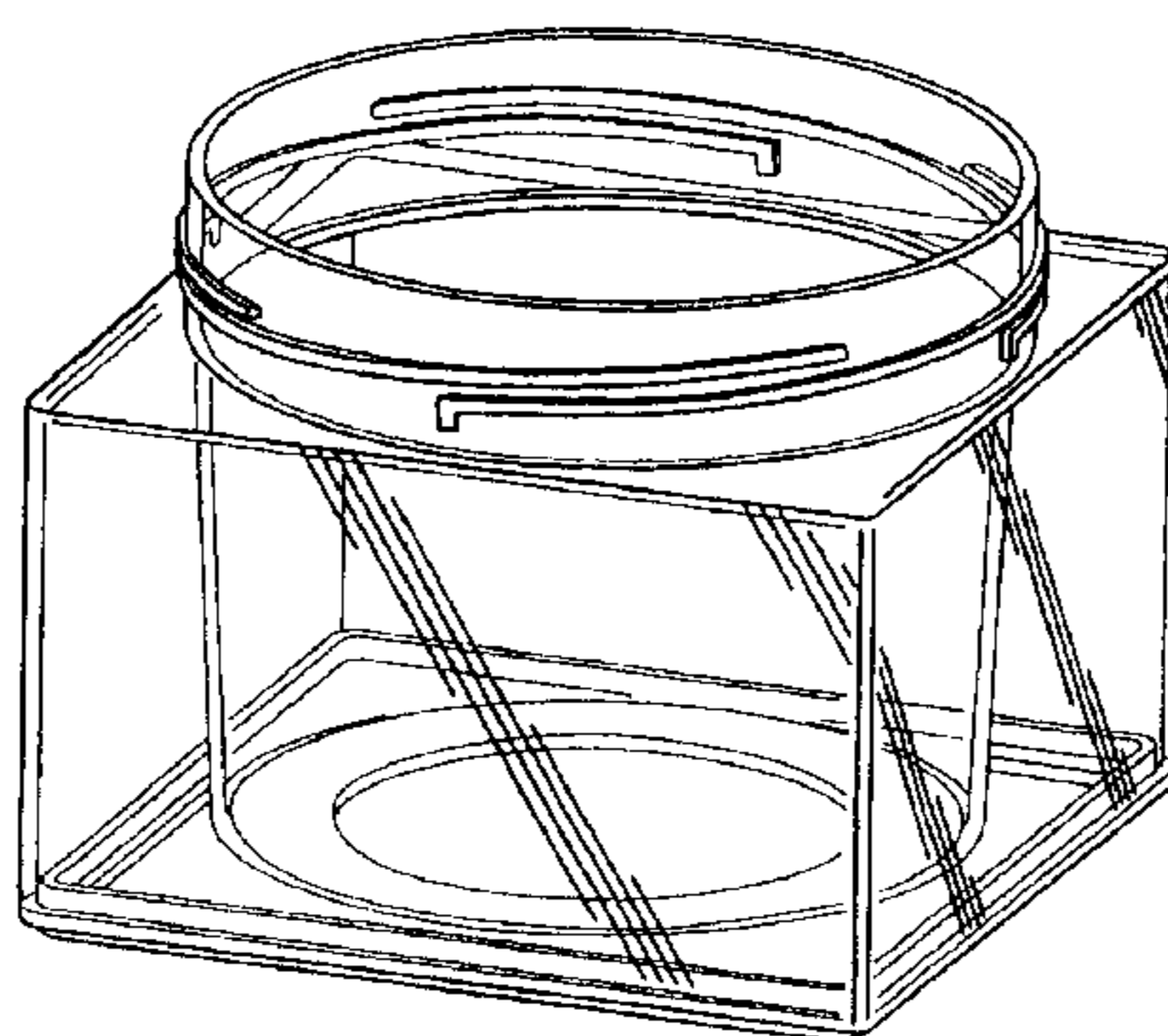
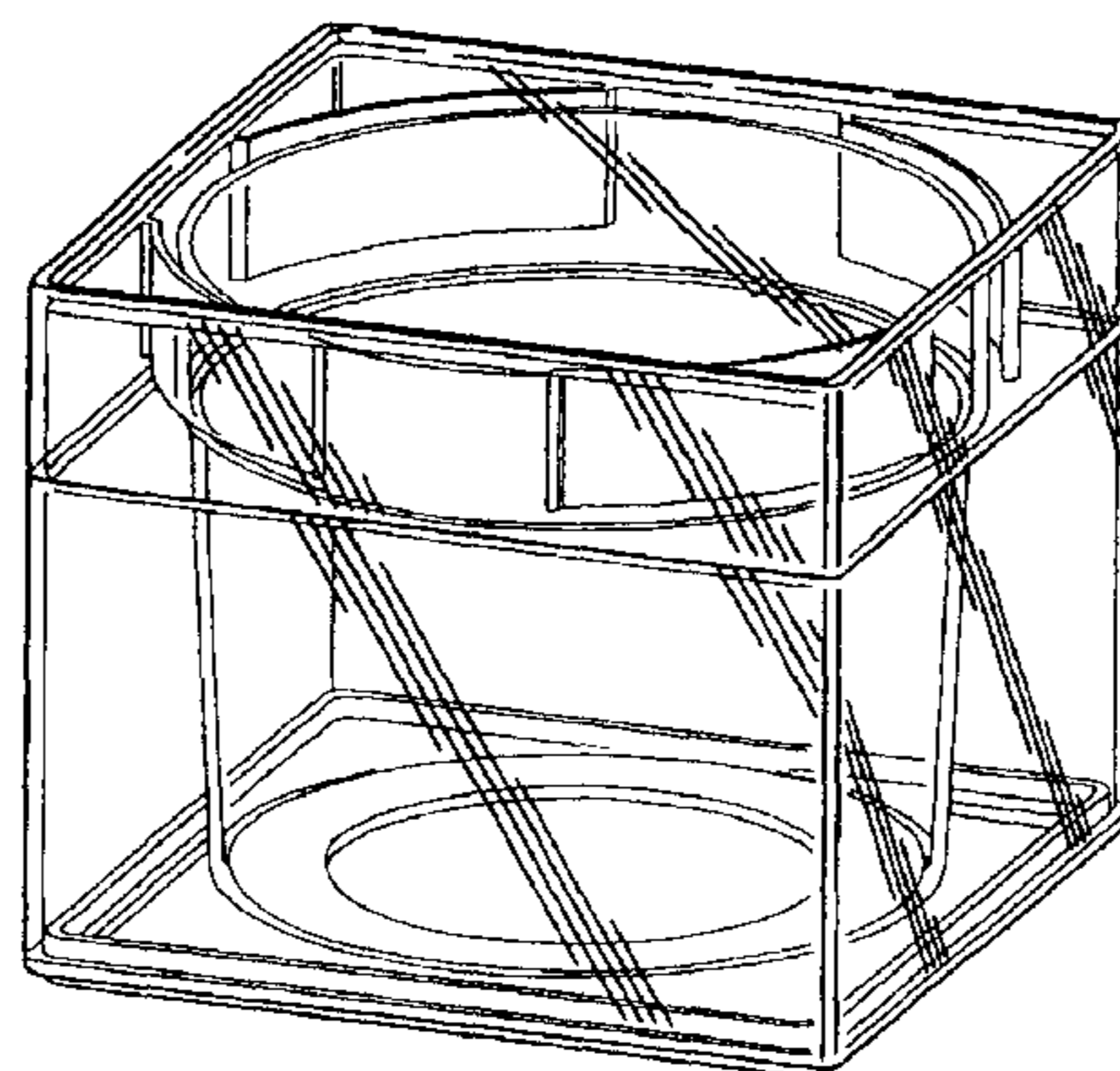
See application file for complete search history.

(56) **References Cited**

U.S. PATENT DOCUMENTS

D31,235 S	*	7/1899	Low	D9/560
D171,516 S	*	2/1954	Otto	D9/560
4,832,220 A	*	5/1989	Quenessen	D9/529
D320,554 S	*	10/1991	Van Dine et al.	D9/574
D371,970 S	*	7/1996	Desgrippes	D9/573

1 Claim, 4 Drawing Sheets



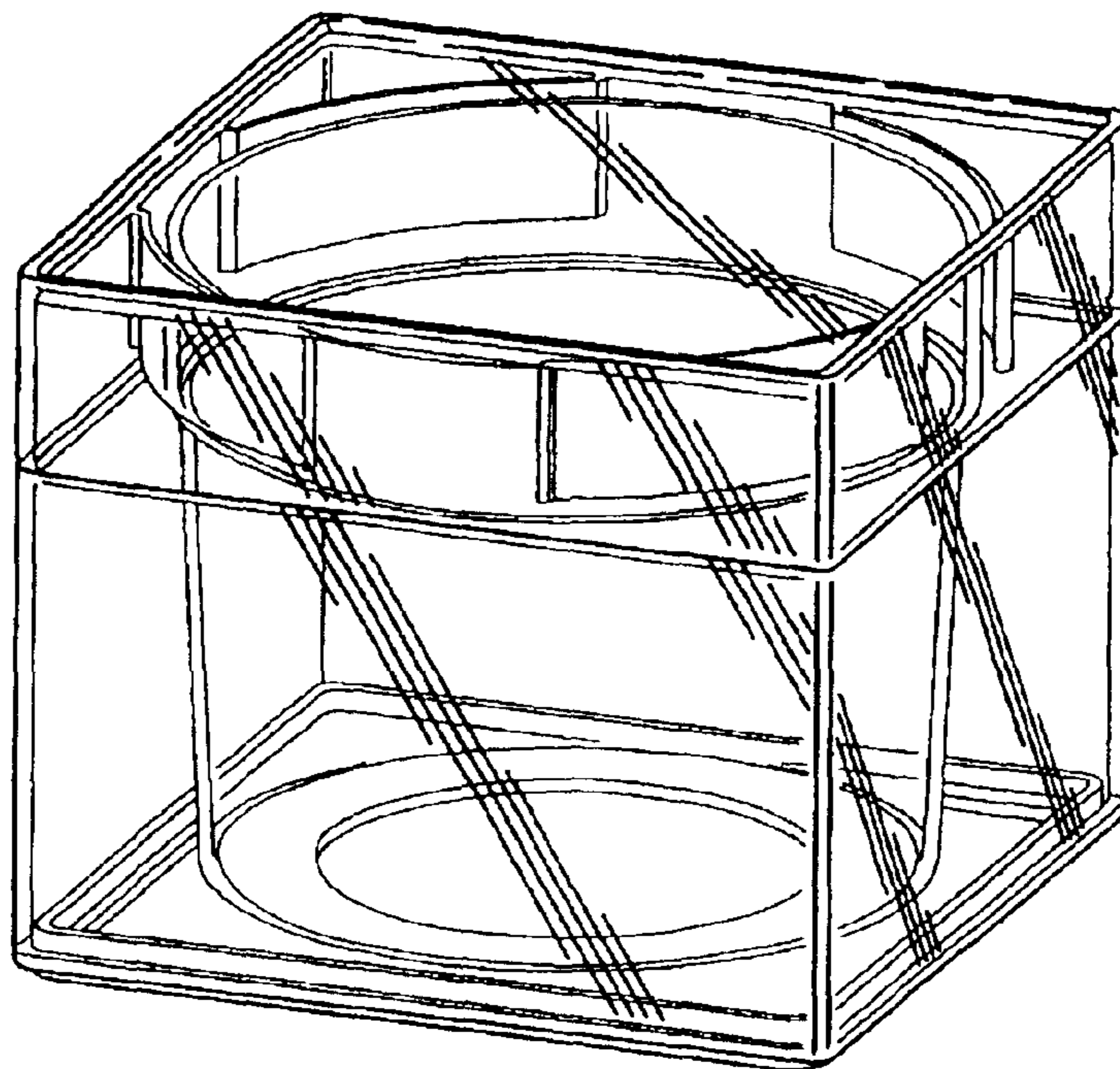


Fig. 1

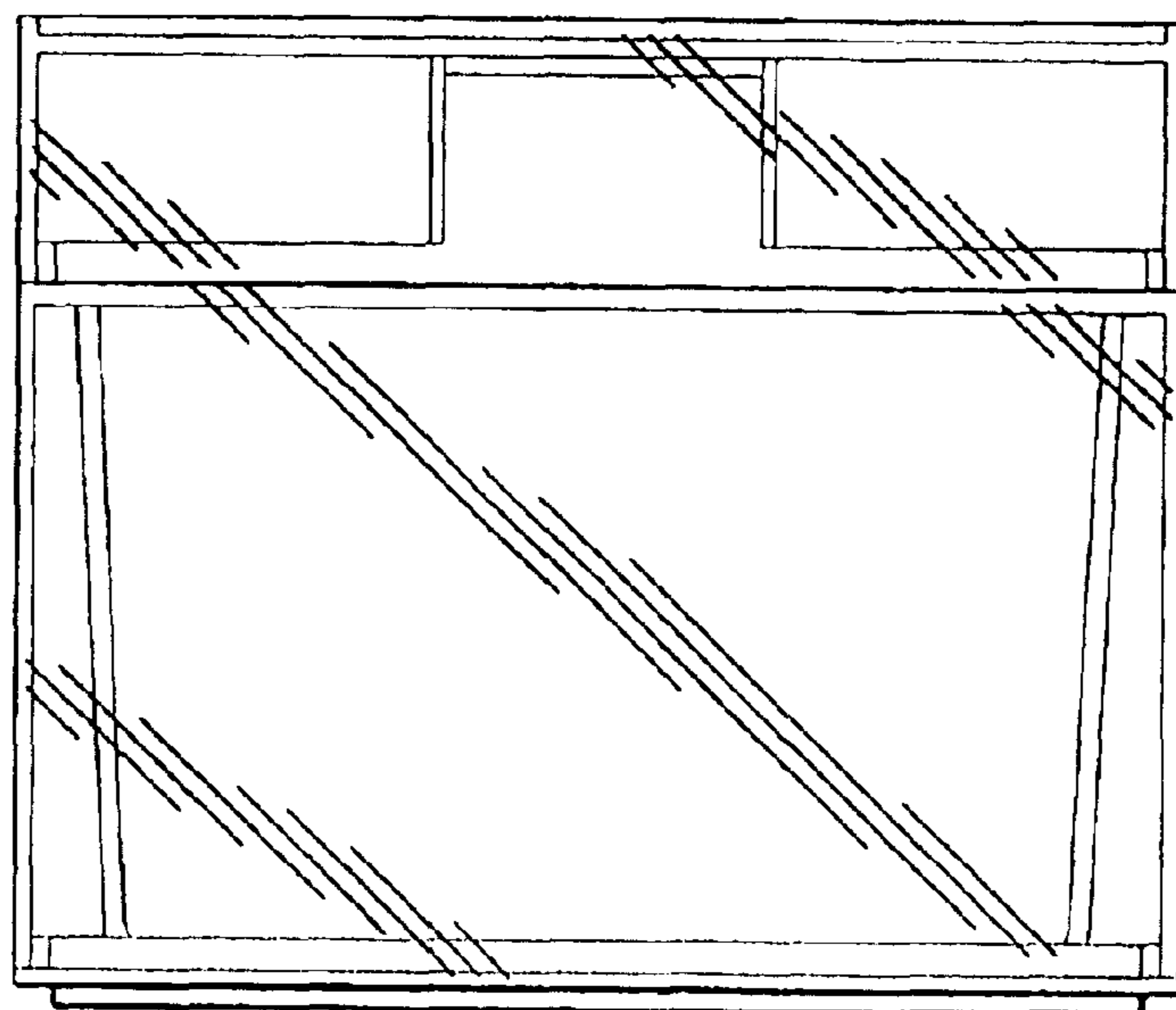


Fig. 2

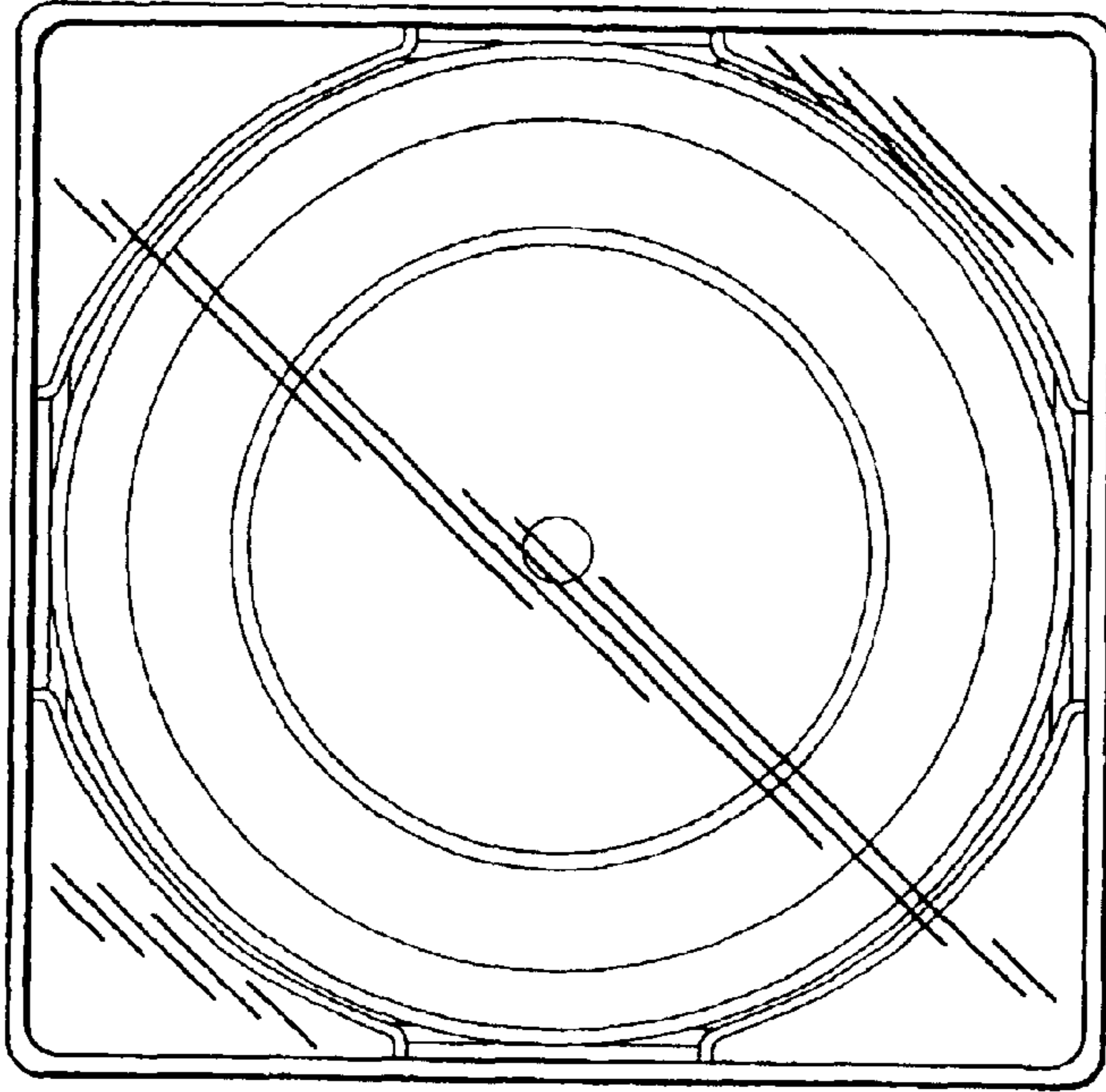


Fig. 3

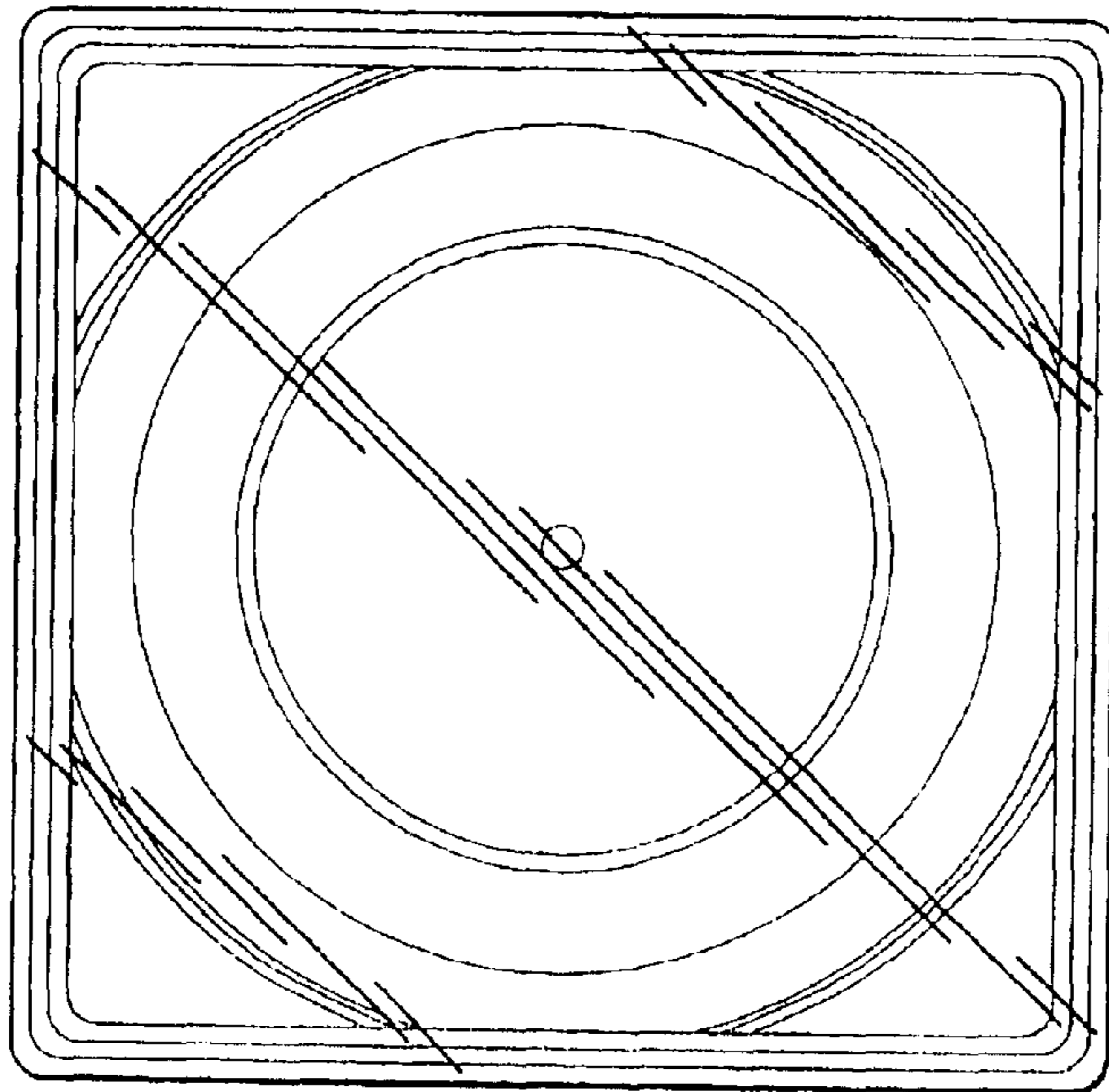


Fig. 4

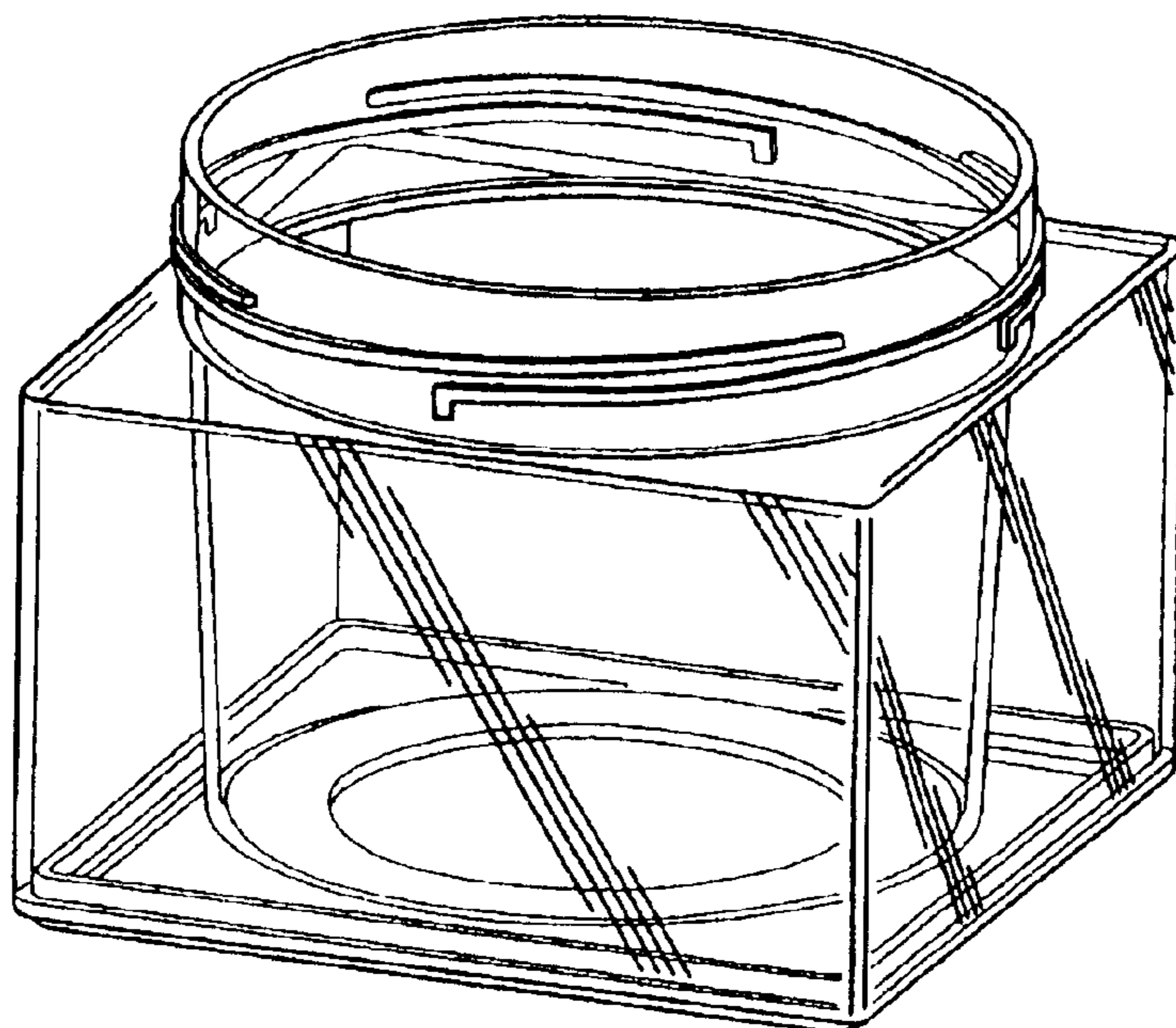


Fig. 5

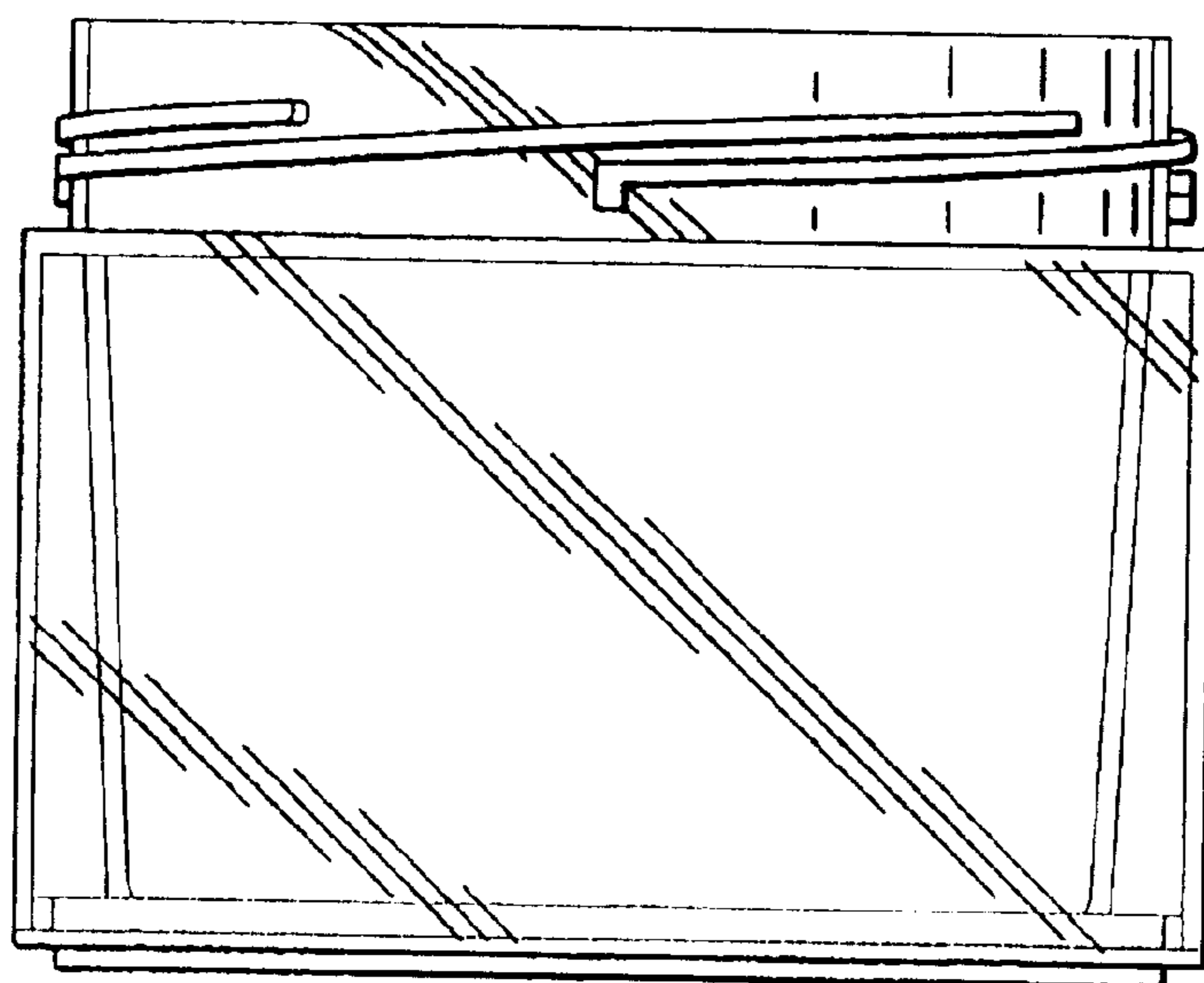


Fig. 6

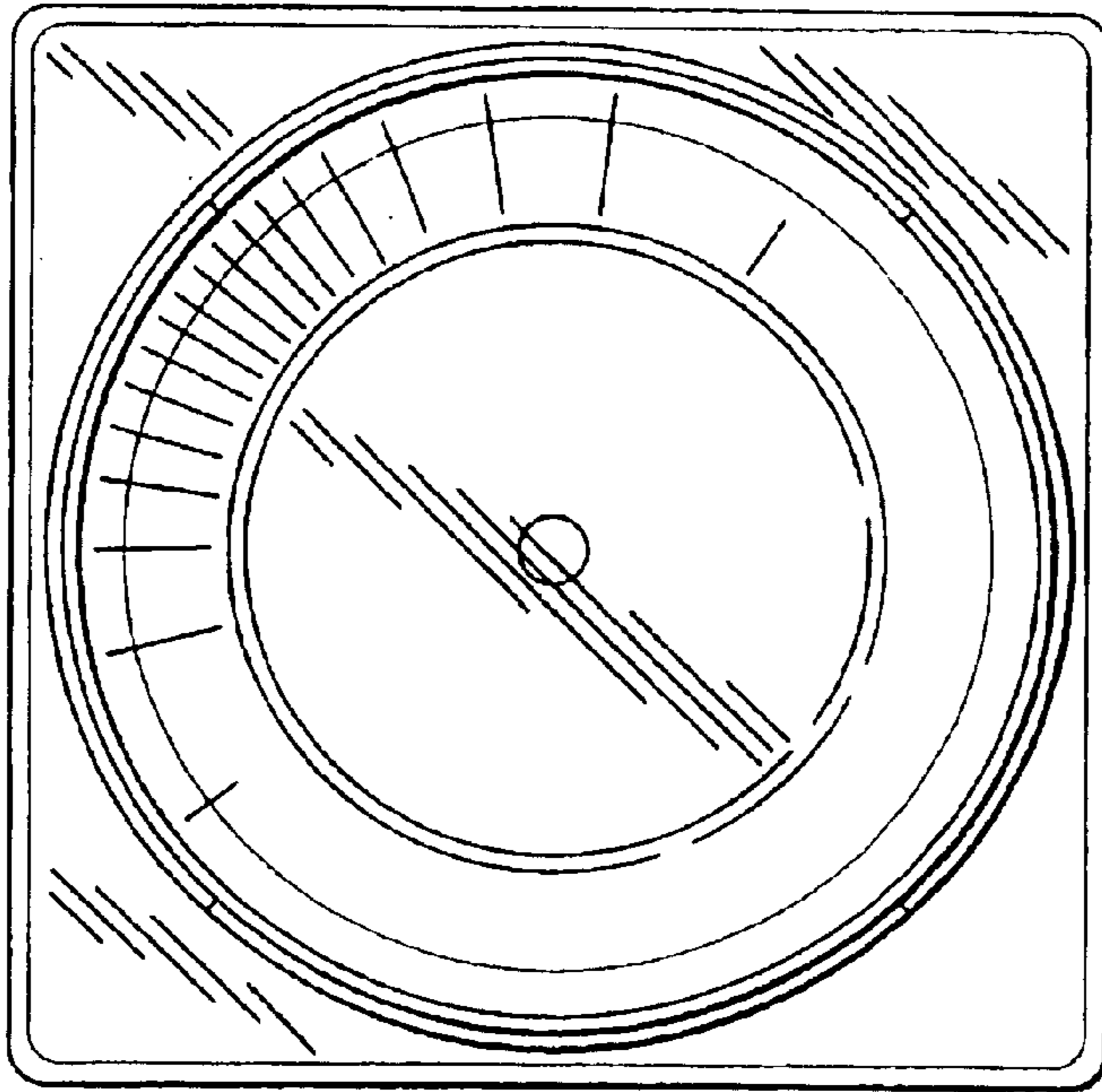


Fig. 7

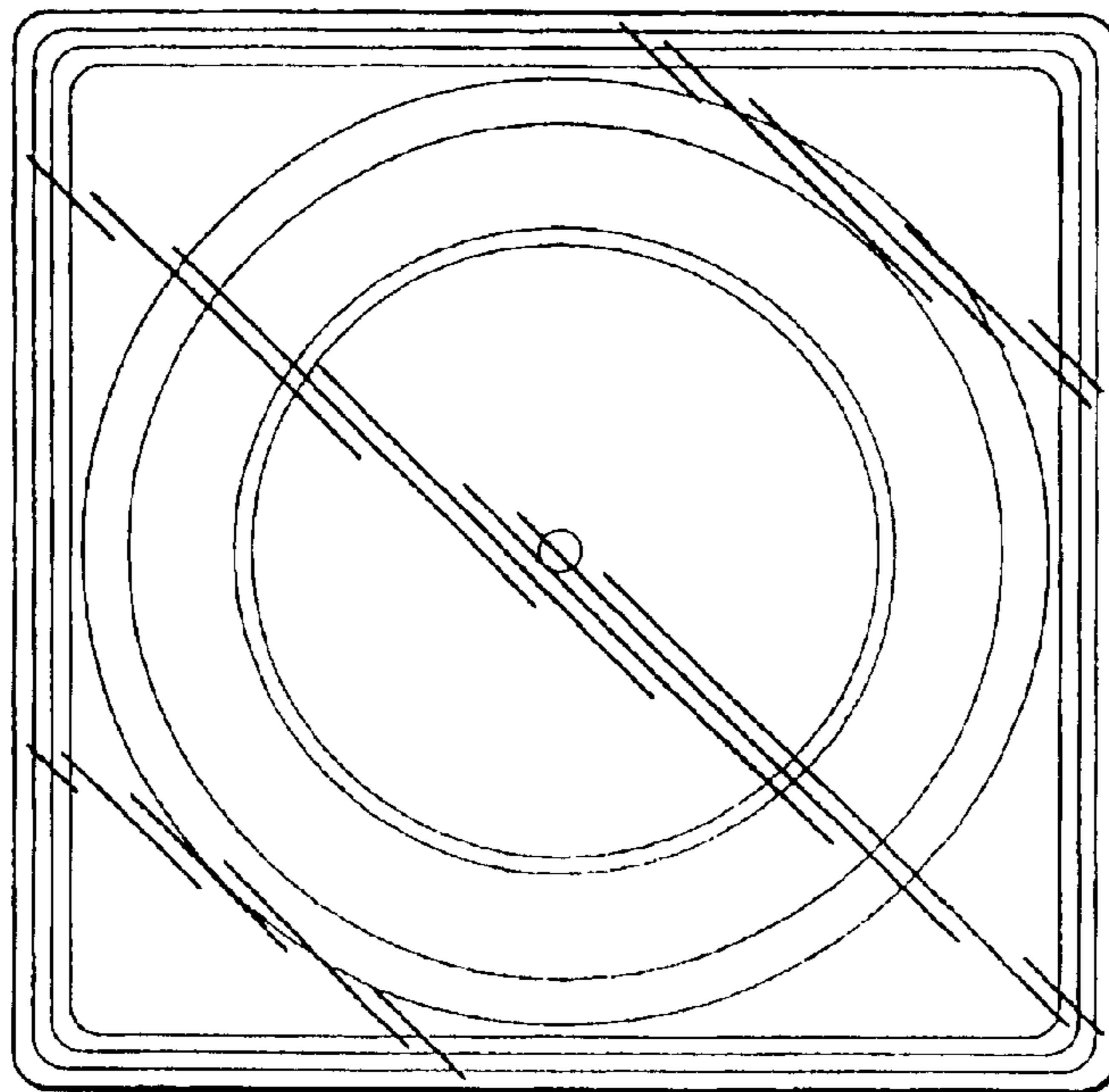


Fig. 8