



US00D540688S

(12) **United States Design Patent**  
**Lascaux**

(10) **Patent No.:** **US D540,688 S**

(45) **Date of Patent:** **\*\* Apr. 17, 2007**

(54) **JAR**

(75) Inventor: **Johanna Lascaux**, Courbevoie (FR)

(73) Assignee: **Saint-Gobain Desjonqueres**,  
Courbevoie (FR)

(\*\*) Term: **14 Years**

(21) Appl. No.: **29/231,328**

(22) Filed: **Jun. 3, 2005**

(30) **Foreign Application Priority Data**

Dec. 7, 2004 (FR) ..... 04 5908

(51) **LOC (8) Cl.** ..... **09-01**

(52) **U.S. Cl.** ..... **D9/560**

(58) **Field of Classification Search** ..... D9/516,  
D9/520, 529, 544, 546, 560, 571-574, 682,  
D9/686, 687, 766, 692-694, 768, 770, 900,  
D9/904; D7/614, 615; D19/75, 77, 95, 96;  
D28/75; 220/662; 215/382-384

See application file for complete search history.

(56) **References Cited**

**U.S. PATENT DOCUMENTS**

D31,235 S \* 7/1899 Low ..... D9/560  
D91,366 S \* 1/1934 Piazzoli ..... D9/560

D107,145 S \* 11/1937 Barnhart ..... D9/432  
D171,516 S \* 2/1954 Otto ..... D9/560  
D262,518 S \* 1/1982 Cottrell ..... D9/520  
D270,331 S \* 8/1983 Benson ..... D9/520

**OTHER PUBLICATIONS**

www.RusticEscentuals.com—Packaging—Small Pots and  
Tubes, Nov. 21, 2006, 2 pgs.\*

\* cited by examiner

*Primary Examiner*—Stella Reid  
*Assistant Examiner*—Keli' L. Acker

(74) *Attorney, Agent, or Firm*—Oblon, Spivak, McClelland,  
Maier & Neustadt, P.C.

(57) **CLAIM**

The ornamental design for a jar, as shown and described.

**DESCRIPTION**

FIG. 1 is a top, front, and right front perspective view of a  
jar, showing my design;

FIG. 2 is a front elevational view thereof;

FIG. 3 is a rear elevational view thereof;

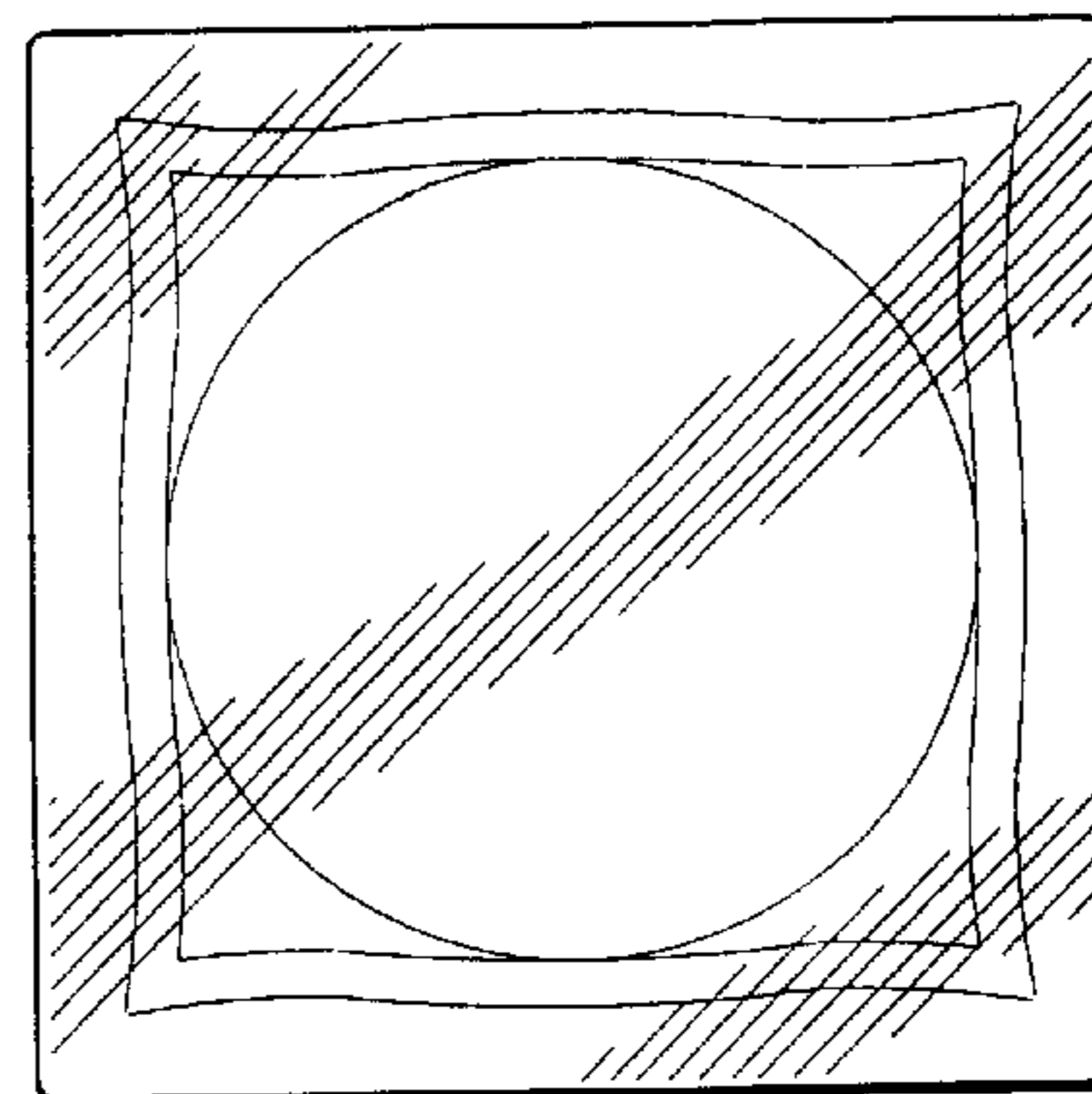
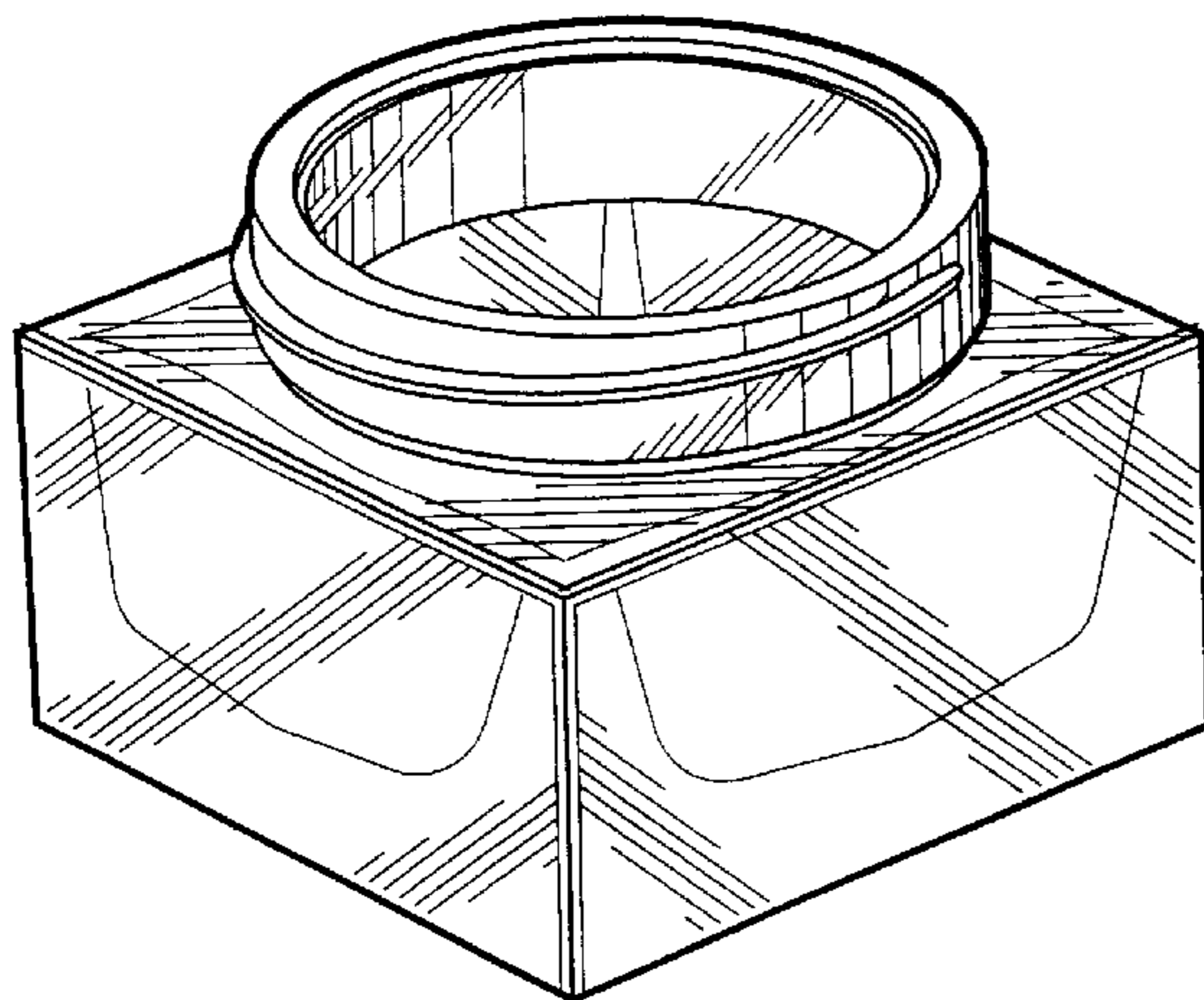
FIG. 4 is a right side elevational view thereof;

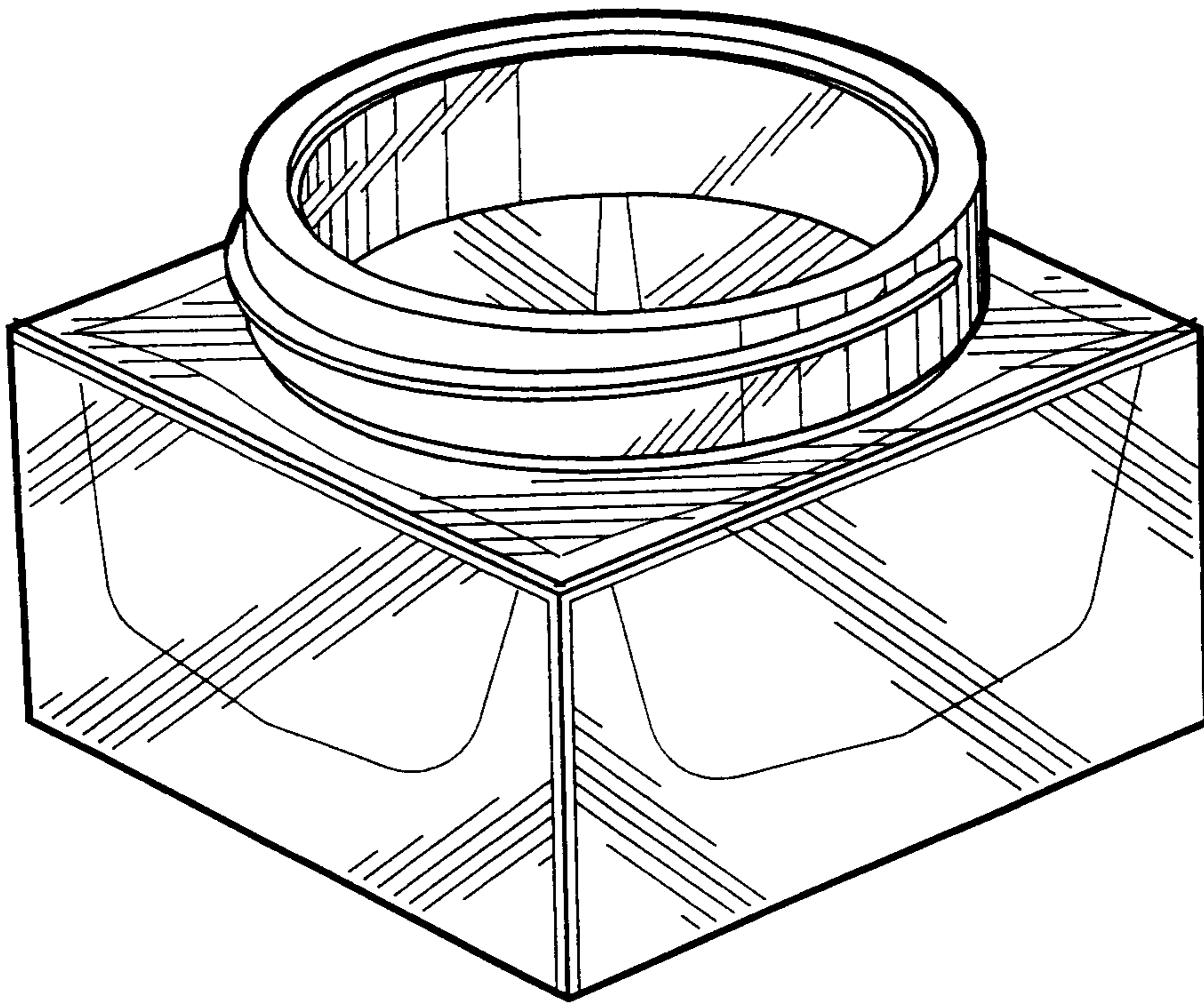
FIG. 5 is a left side elevational view thereof;

FIG. 6 is a top plan view thereof; and,

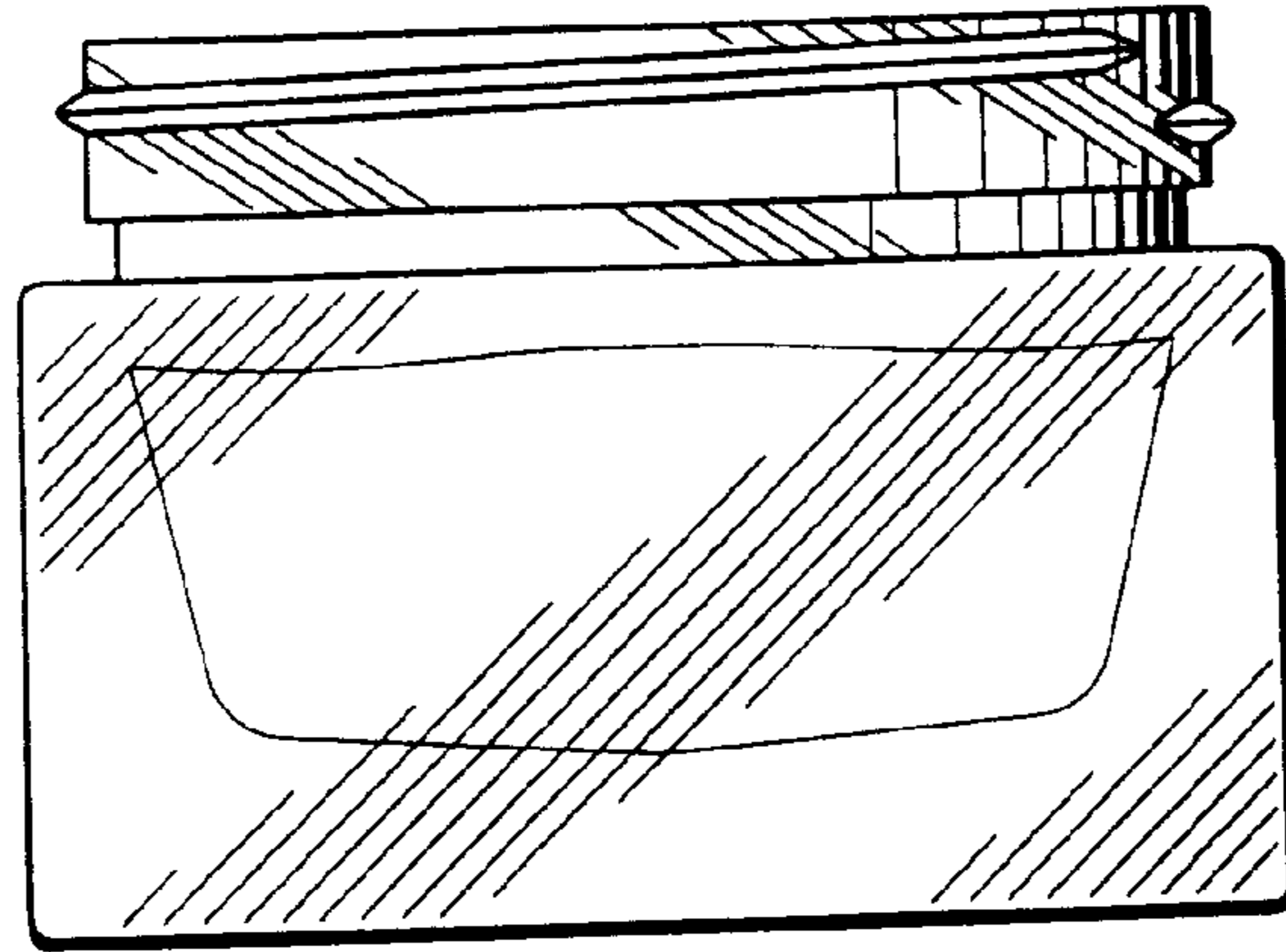
FIG. 7 is a bottom plan view thereof.

**1 Claim, 4 Drawing Sheets**

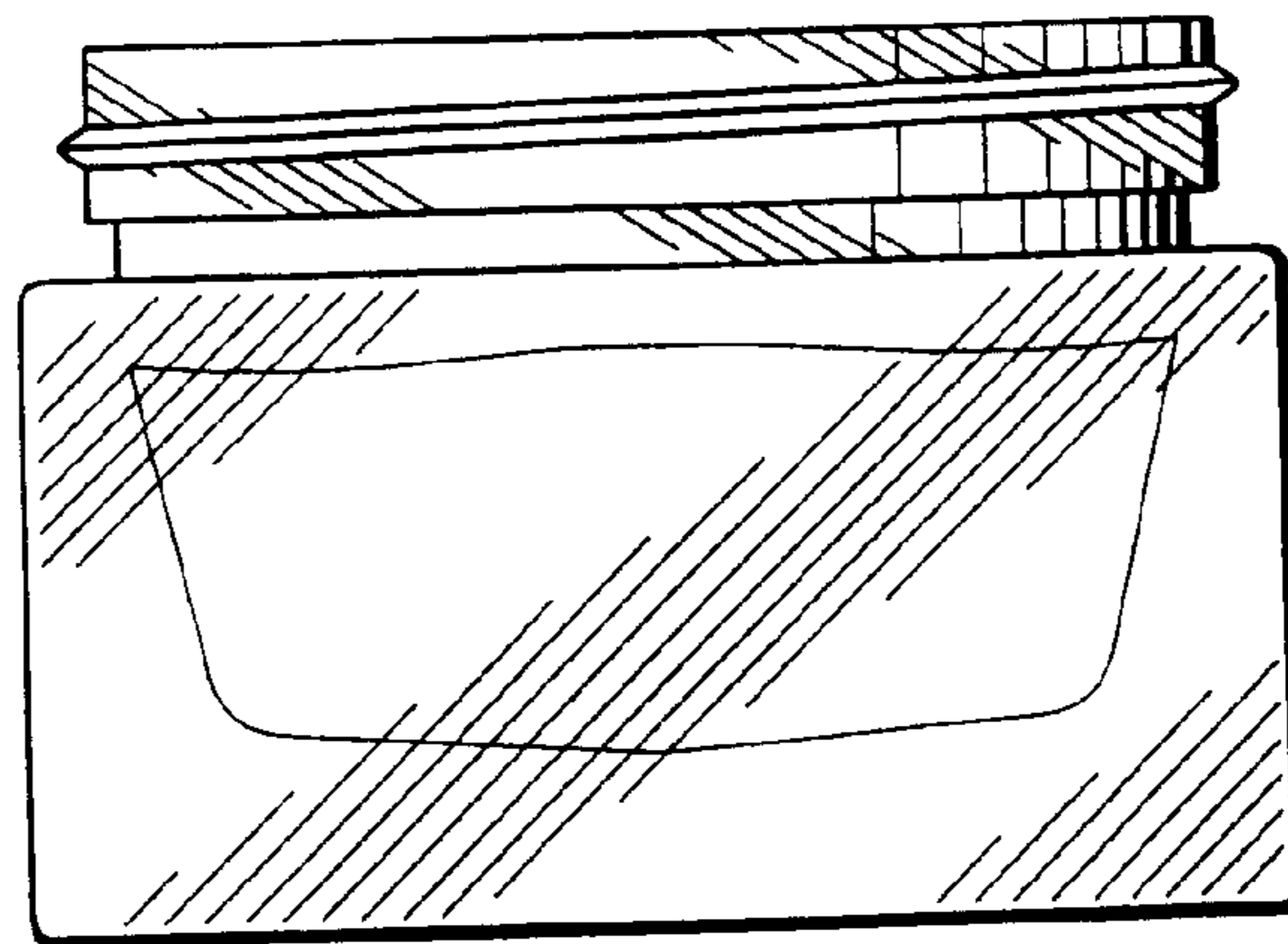




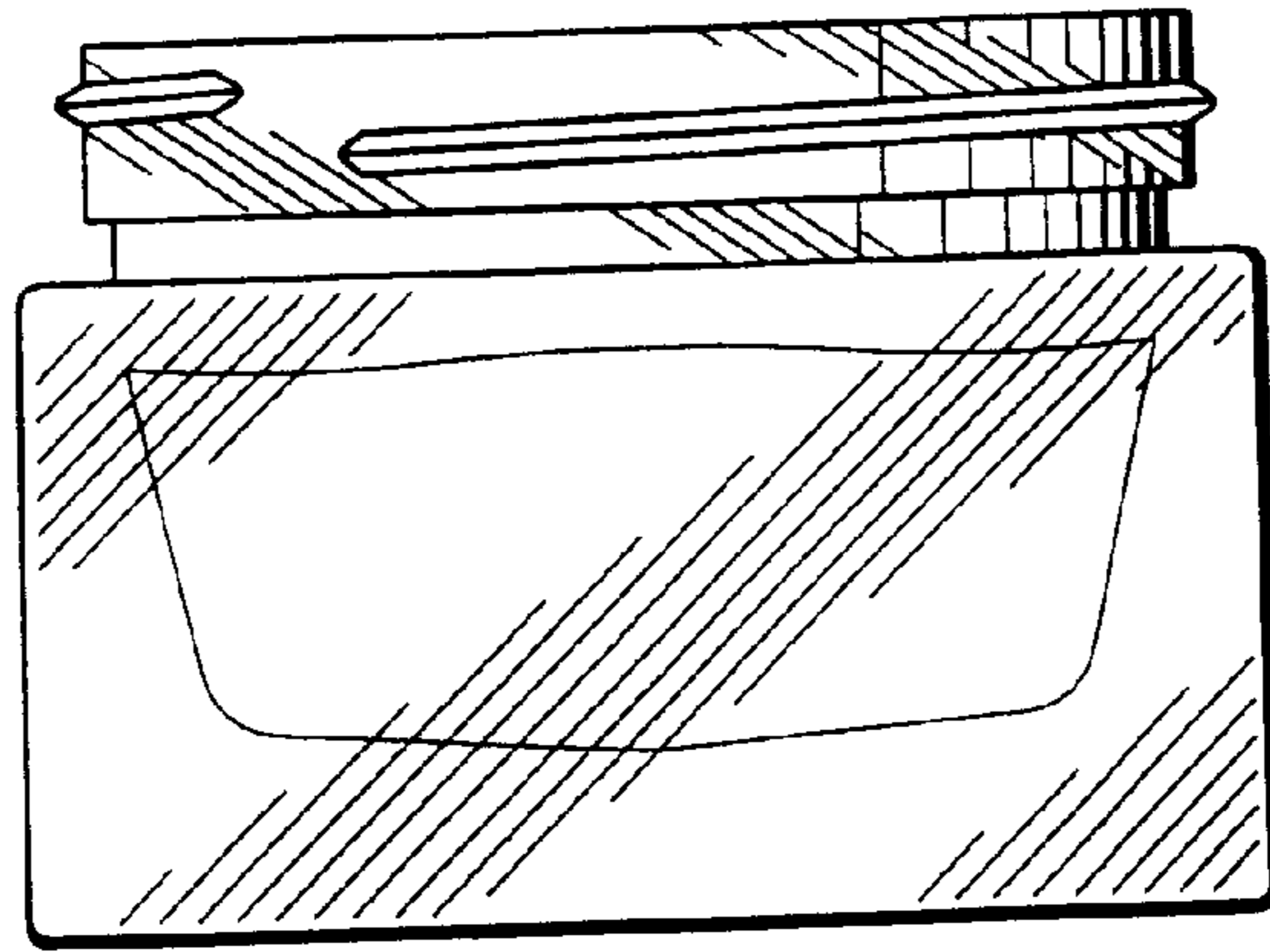
*FIG. 1*



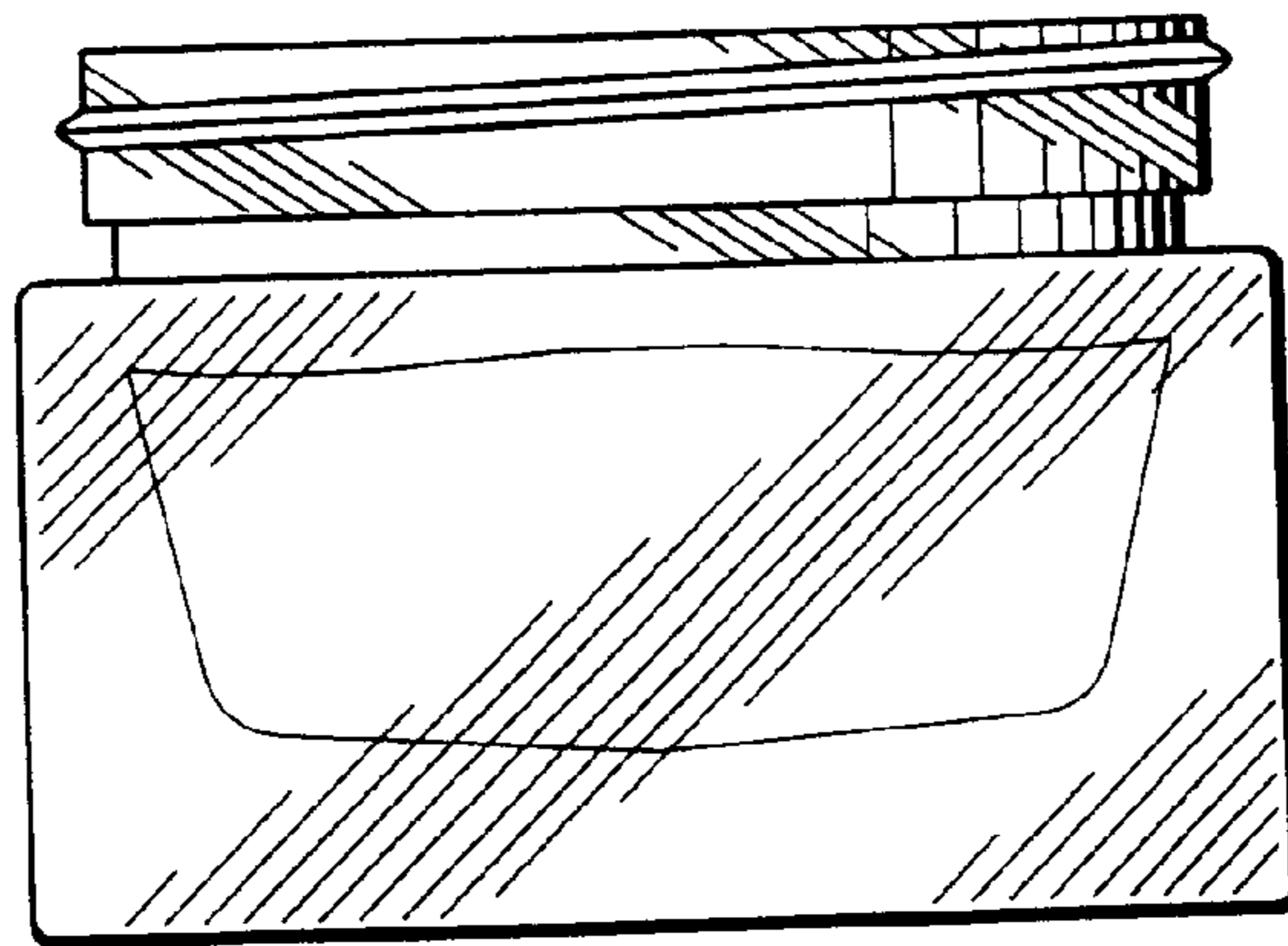
*FIG. 2*



*FIG. 3*

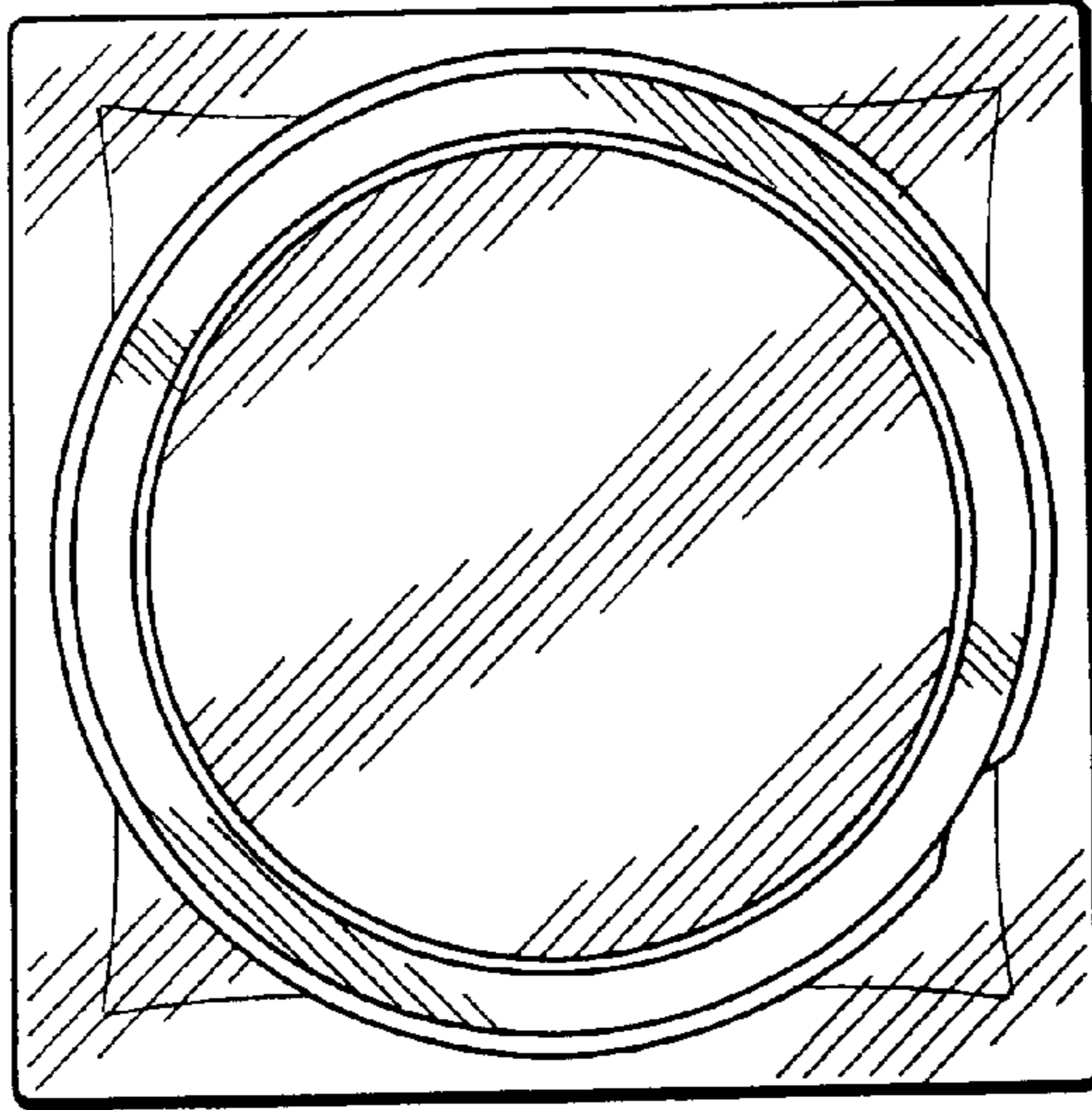


*FIG. 4*

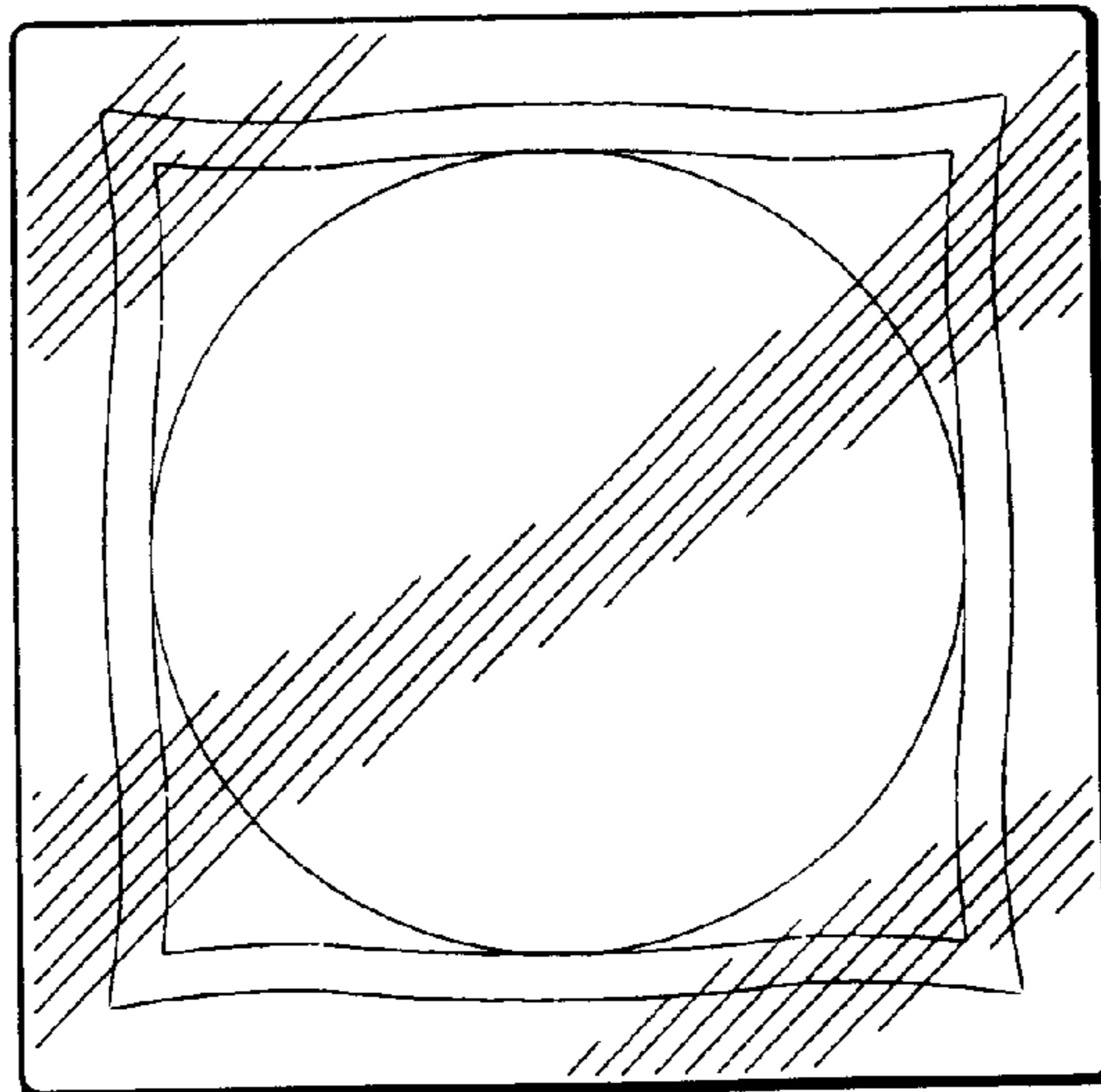


*FIG. 5*





*FIG. 6*



*FIG. 7*