



US00D540678S

(12) **United States Design Patent**
Brozell

(10) **Patent No.:** **US D540,678 S**

(45) **Date of Patent:** **** Apr. 17, 2007**

(54) **CLOSURE**

(75) Inventor: **Leonora M. Brozell**, Maumee, OH
(US)

(73) Assignee: **Owens-Illinois Closure Inc.**,
Perrysburg, OH (US)

(**) Term: **14 Years**

(21) Appl. No.: **29/266,645**

(22) Filed: **Sep. 26, 2006**

Related U.S. Application Data

(62) Division of application No. 29/243,287, filed on Nov. 22,
2005.

(51) **LOC (8) Cl.** **09-07**

(52) **U.S. Cl.** **D9/449**

(58) **Field of Classification Search** D7/612-615,
D7/629; D9/516, 521-523, 529, 530, 542-543,
D9/560, 572-575, 430-432, 444-446, 449;
D3/273; D19/65, 75; 215/382-384, 396,
215/398, 400

See application file for complete search history.

(56) **References Cited**

U.S. PATENT DOCUMENTS

4,752,014 A * 6/1988 House et al. 215/216

D349,242 S	*	8/1994	Lazarchik et al.	D9/444
D421,909 S	*	3/2000	Opresco	D9/443
D430,802 S	*	9/2000	Adachi et al.	D9/521
6,732,873 B2	*	5/2004	Bried et al.	215/235
6,772,902 B1	*	8/2004	White	220/283
D520,877 S	*	5/2006	Toth et al.	D9/522
D523,344 S	*	6/2006	Toth et al.	D9/522
D525,526 S	*	7/2006	Abbott et al.	D9/449
D529,387 S	*	10/2006	Toth et al.	D9/522

* cited by examiner

Primary Examiner—Carol Rademaker

(57) **CLAIM**

The ornamental design for a closure, as shown and described.

DESCRIPTION

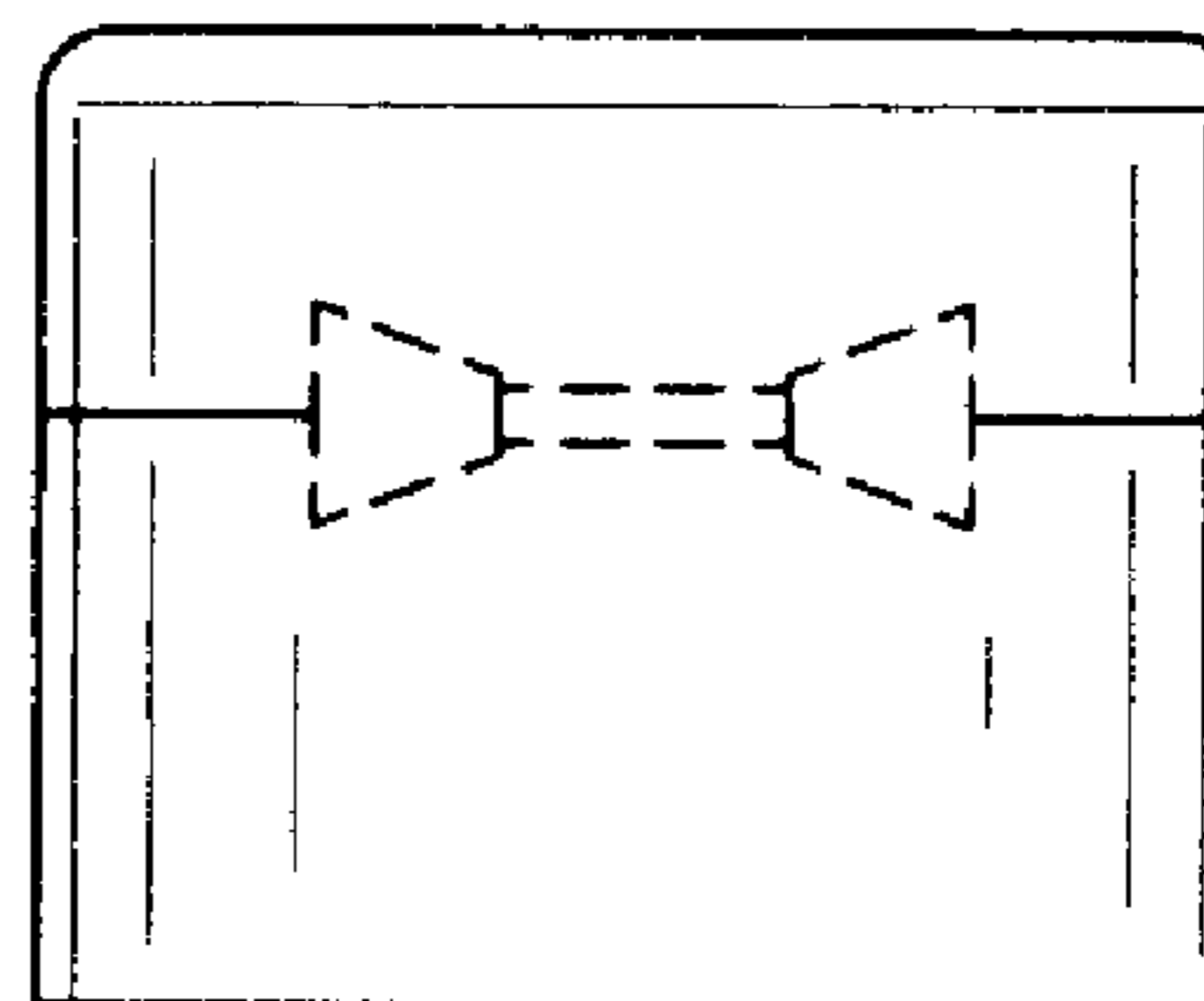
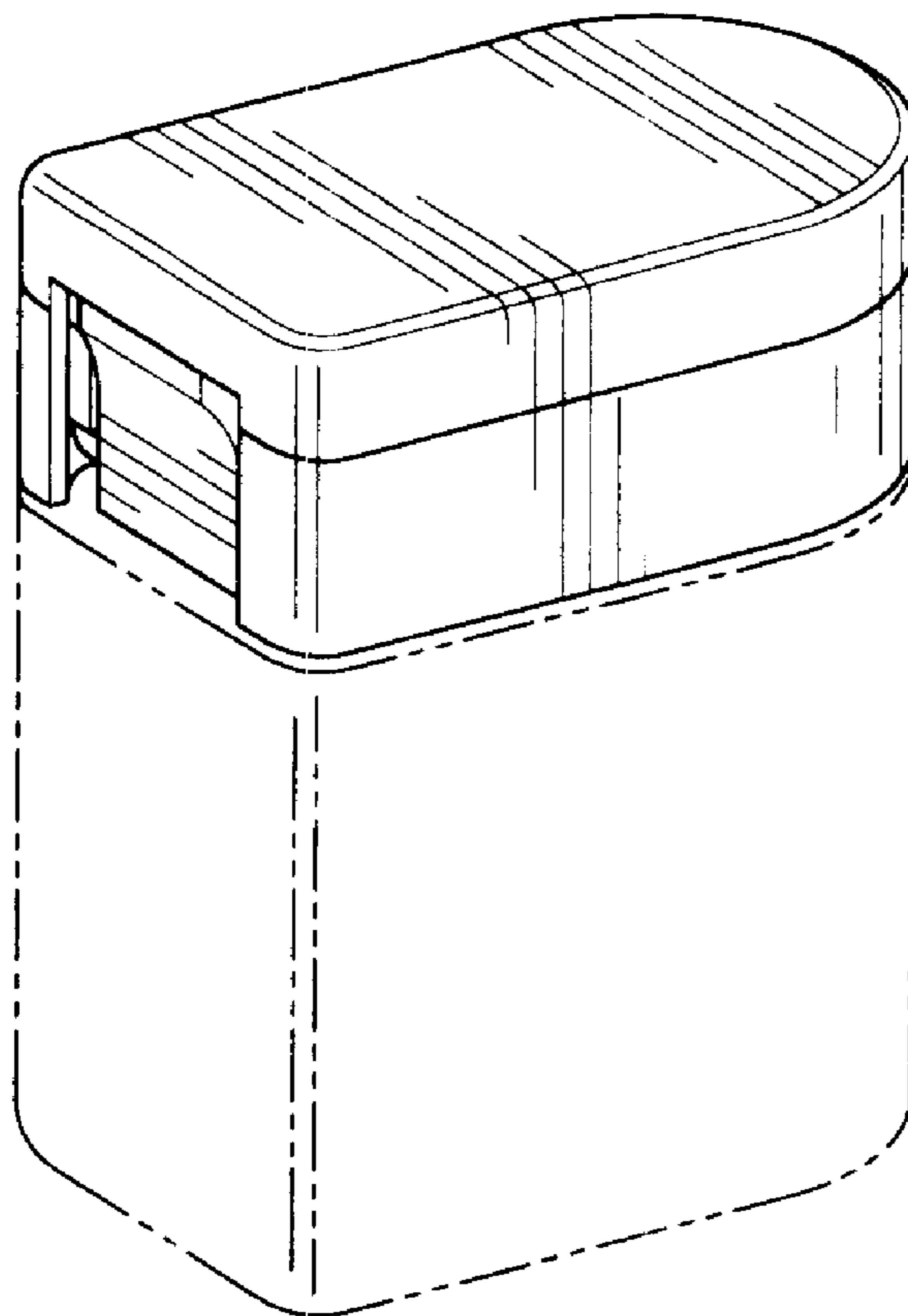
FIG. 1 is a perspective view of a closure in accordance with the disclosure, with an exemplary container being shown in phantom for environment.

FIG. 2 is a front elevational view of the closure in FIG. 1. FIG. 3 is a side elevational view of the closure in FIGS. 1 and 2, the opposing side elevational view being a mirror image of FIG. 3.

FIG. 4 is a rear elevational view of the closure in FIGS. 1-3, the hinge being shown in phantom in FIGS. 3 and 4 for environment; and,

FIG. 5 is a top plan view of the closure in FIGS. 1-4.

1 Claim, 1 Drawing Sheet



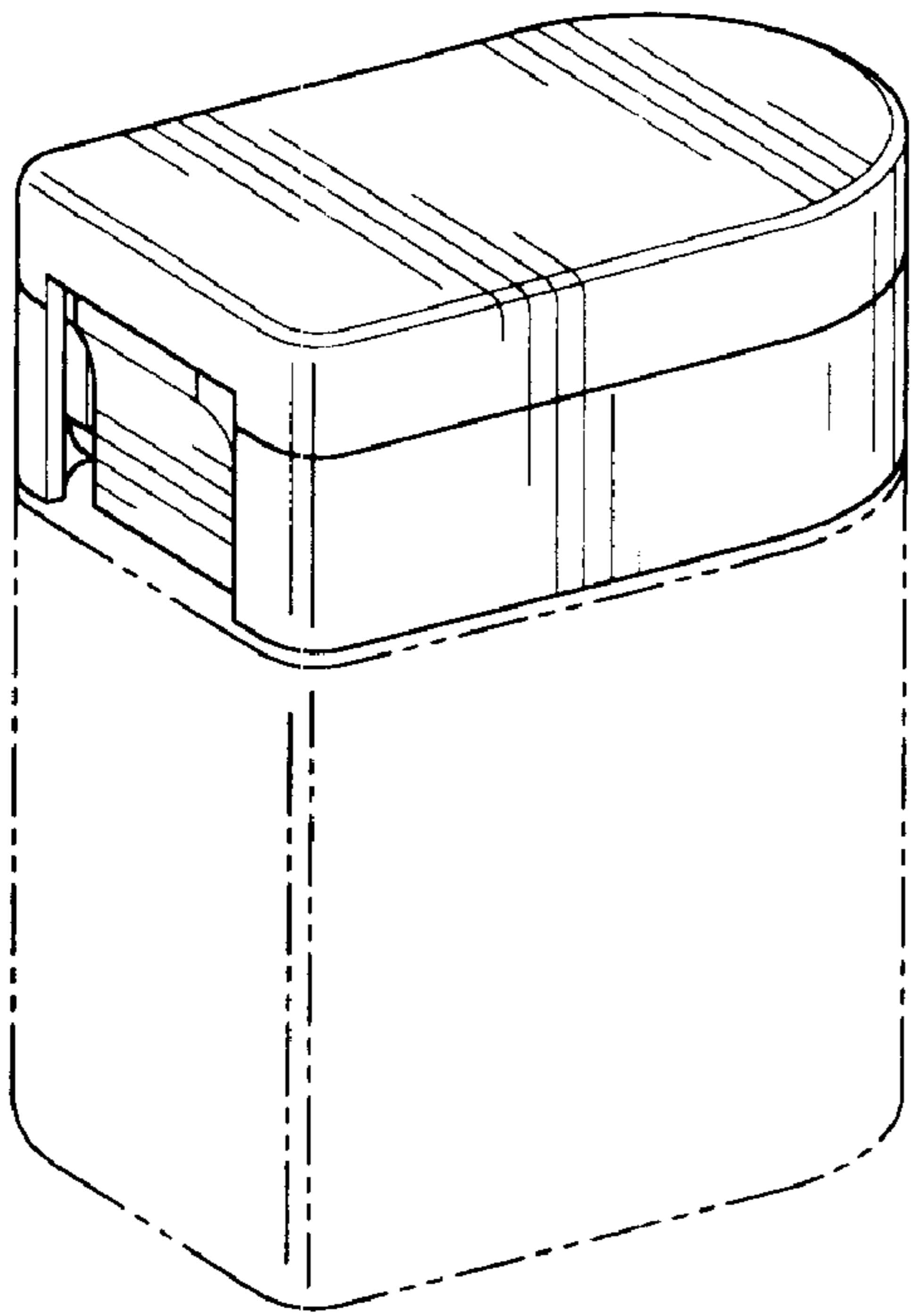


FIG. 1

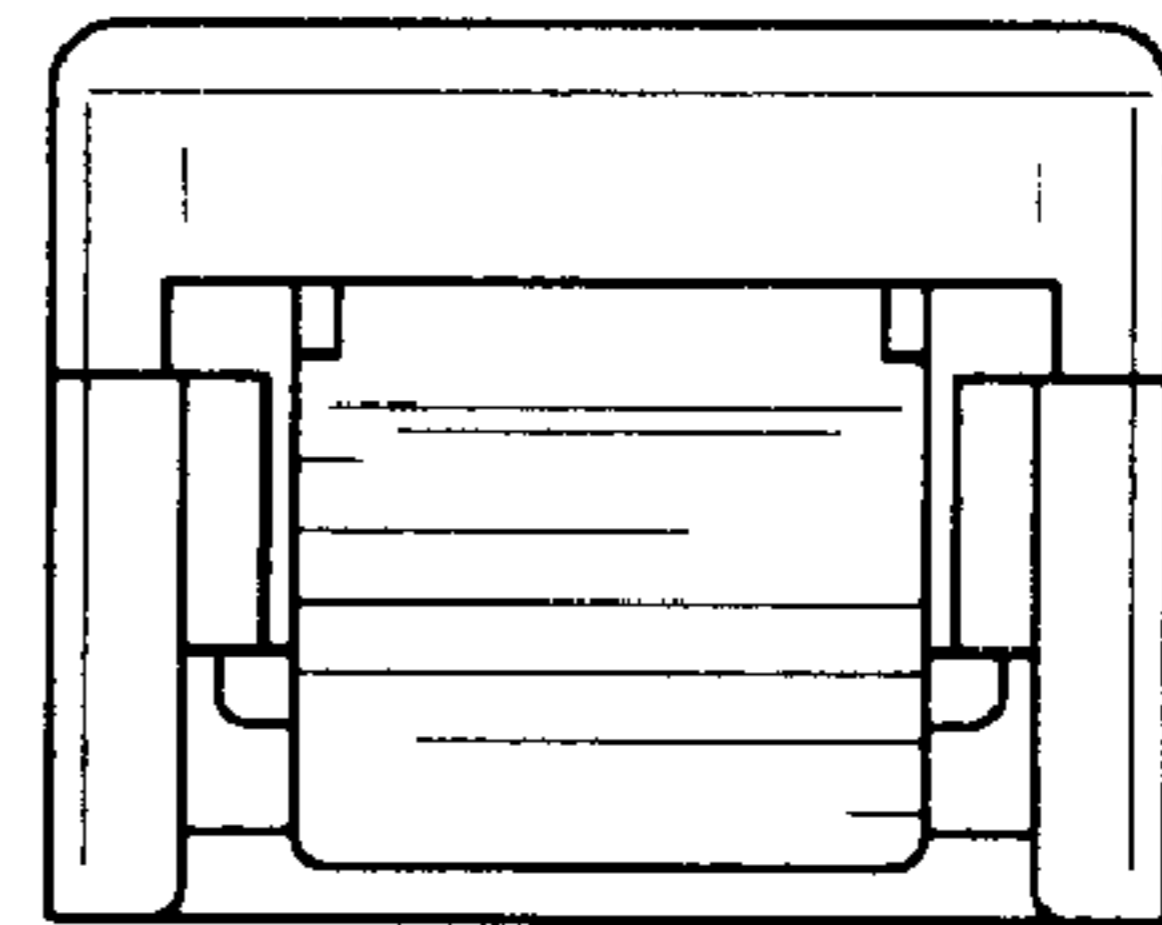


FIG. 2

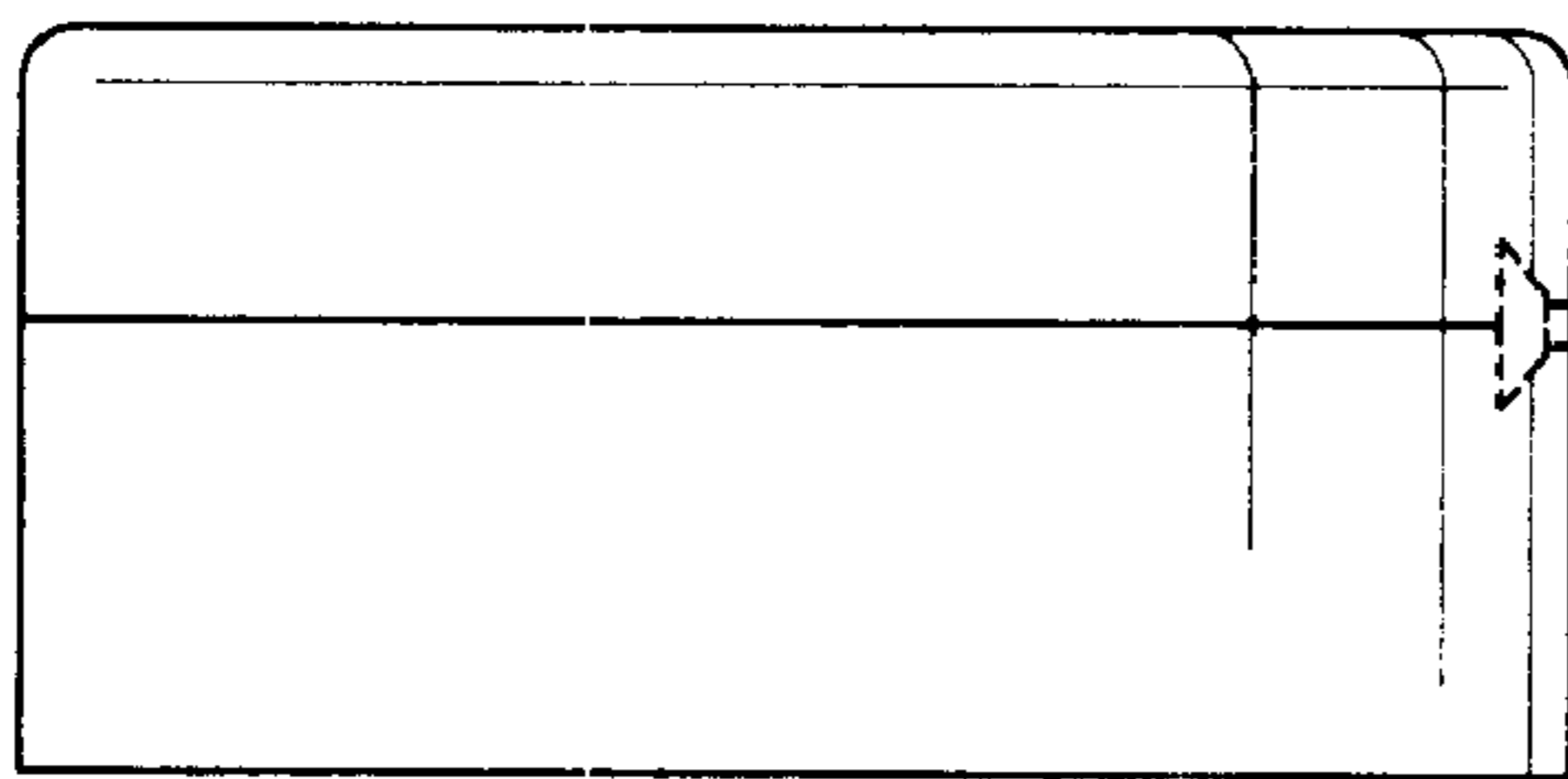


FIG. 3

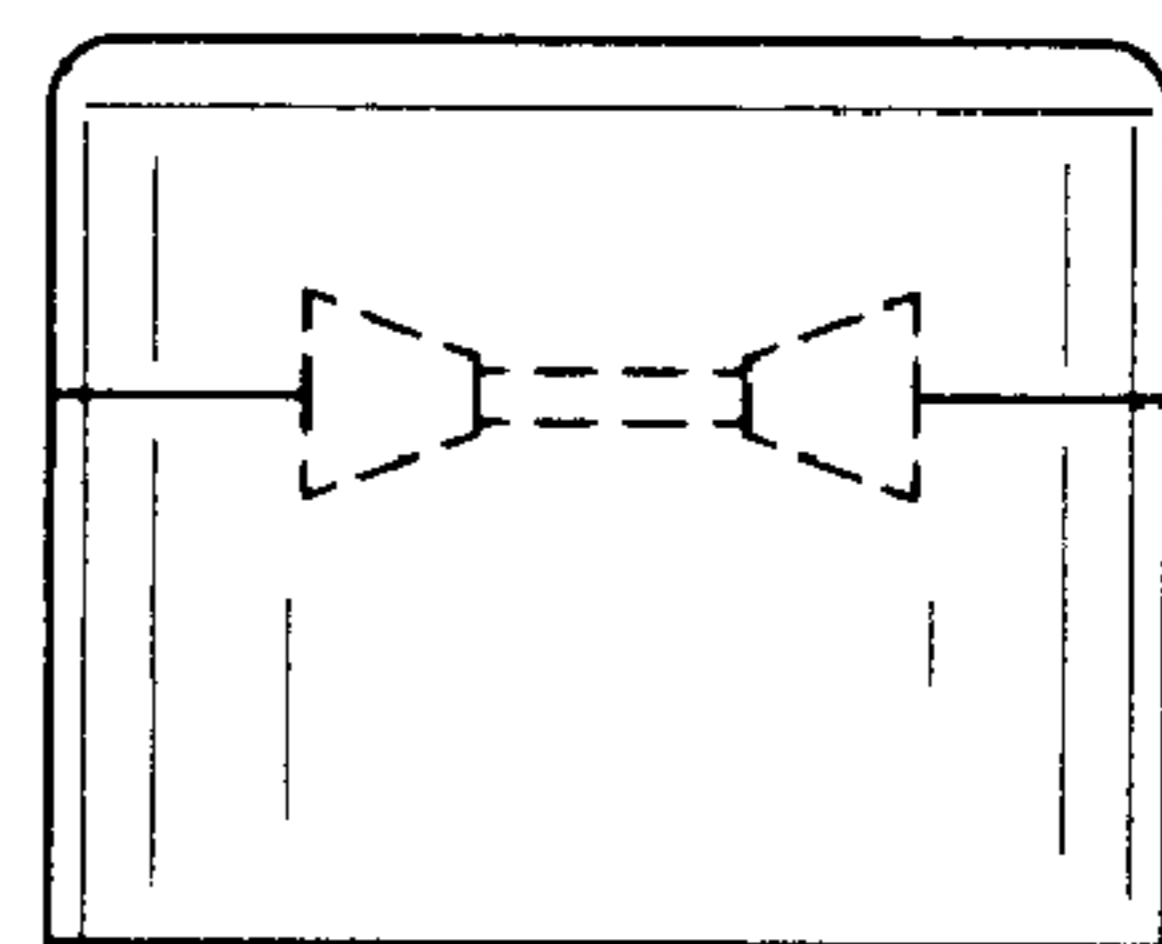


FIG. 4

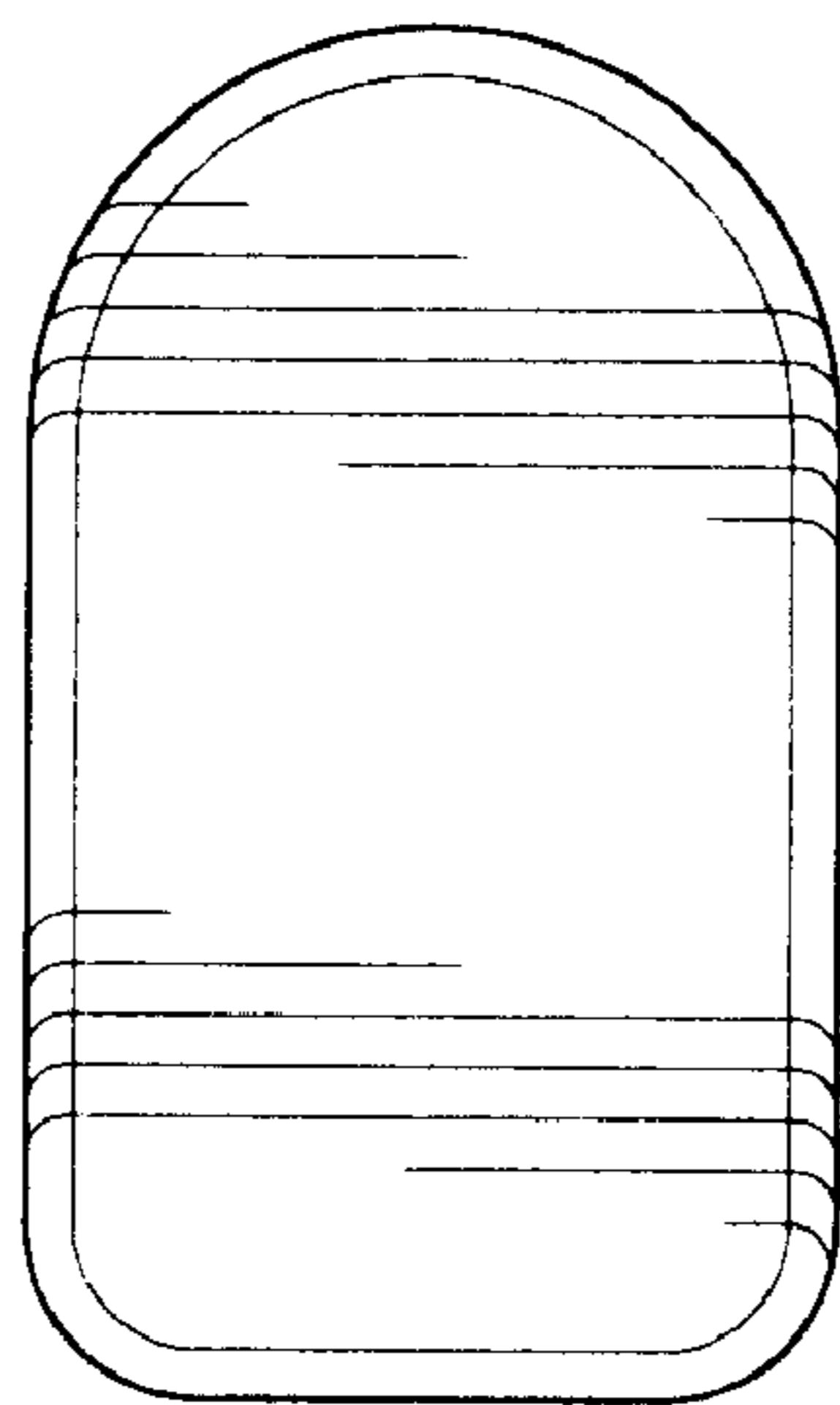


FIG. 5