



US00D540677S

(12) **United States Design Patent**
Stull

(10) **Patent No.:** **US D540,677 S**

(45) **Date of Patent:** **** Apr. 17, 2007**

(54) **CONTAINER CLOSURE**

(75) **Inventor:** **Jameson P. Stull**, Far Hills, NJ (US)

(73) **Assignee:** **Stull Technologies, Inc.**, Somerset, NJ (US)

(**) **Term:** **14 Years**

(21) **Appl. No.:** **29/241,714**

(22) **Filed:** **Oct. 31, 2005**

(51) **LOC (8) Cl.** **09-07**

(52) **U.S. Cl.** **D9/449**; D9/454; D9/447

(58) **Field of Classification Search** D9/695,
D9/455, 453, 449, 447, 446, 442, 435, 434,
D9/420; D7/900, 511, 510; 220/837, 833,
220/283, 281, 254.7, 254.3

See application file for complete search history.

(56) **References Cited**

U.S. PATENT DOCUMENTS

D278,414 S	*	4/1985	Cho	D9/446
D280,802 S	*	10/1985	Cho	D9/446
D350,482 S	*	9/1994	Hu et al.	D9/447

* cited by examiner

Primary Examiner—Robert M. Spear

Assistant Examiner—Susan Bennett Hattan

(74) *Attorney, Agent, or Firm*—Drinker Biddle & Reath
LLP

(57) **CLAIM**

The ornamental design for a container closure, as shown and described.

DESCRIPTION

FIG. 1 is a perspective view of a container closure showing our new design, the container closure shown in a closed condition.

FIG. 2 is a front side elevation view thereof.

FIG. 3 is a rear side elevation view thereof.

FIG. 4 is a top view thereof.

FIG. 5 is a bottom view thereof.

FIG. 6 is a left side elevation view thereof, the right side elevation view being a mirror image of the left side elevation view.

FIG. 7 is a perspective view of the container closure of FIG. 1 shown in an opened condition.

FIG. 8 is a front side elevation view thereof.

FIG. 9 is a rear side elevation view thereof.

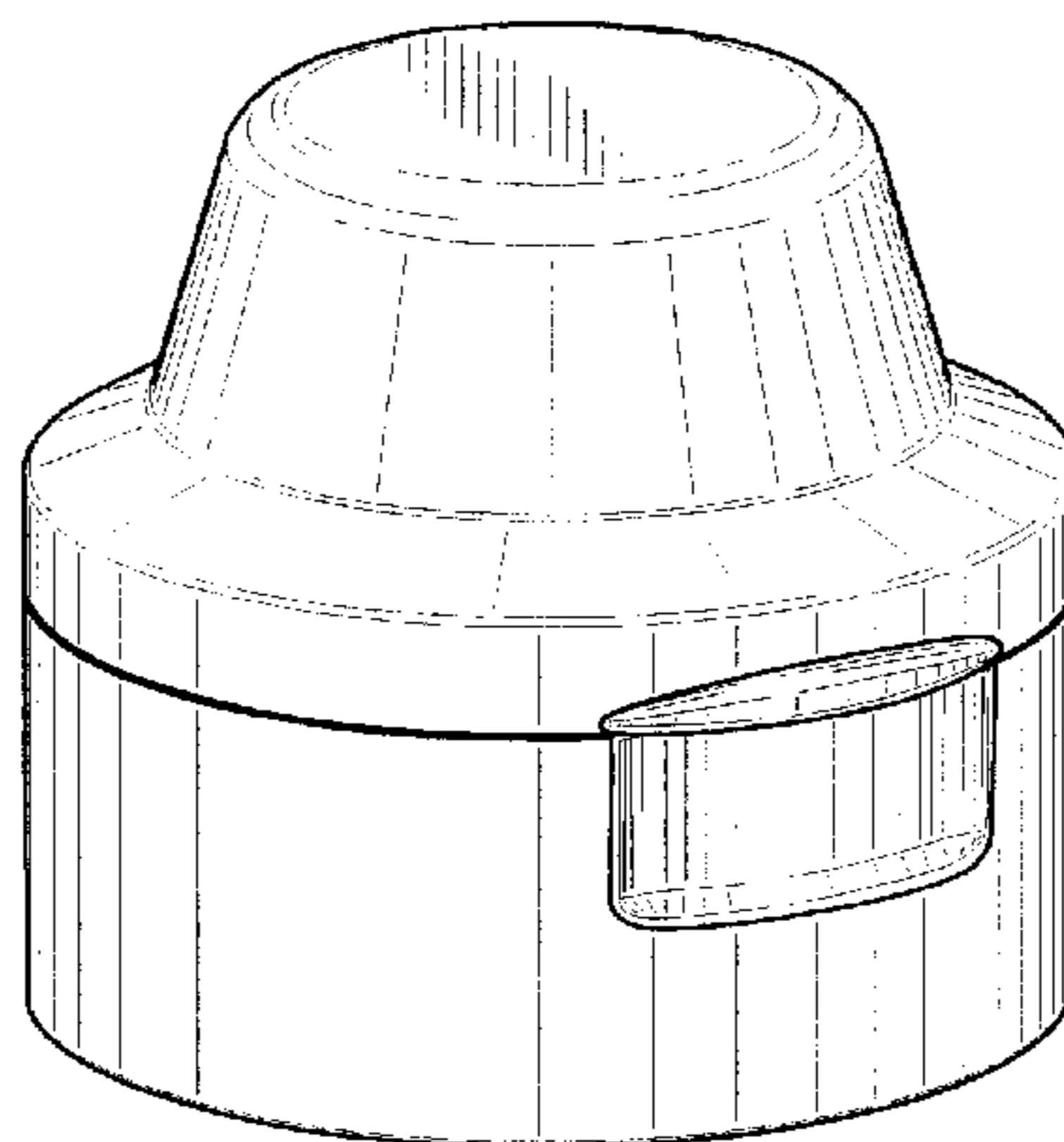
FIG. 10 is a top view thereof.

FIG. 11 is a bottom view thereof; and,

FIG. 12 is a left side elevation view thereof, the right side elevation view being a mirror image of the left side elevation view.

The broken lines in the drawings are for illustrative purposes only and form no part of the claimed design.

1 Claim, 8 Drawing Sheets



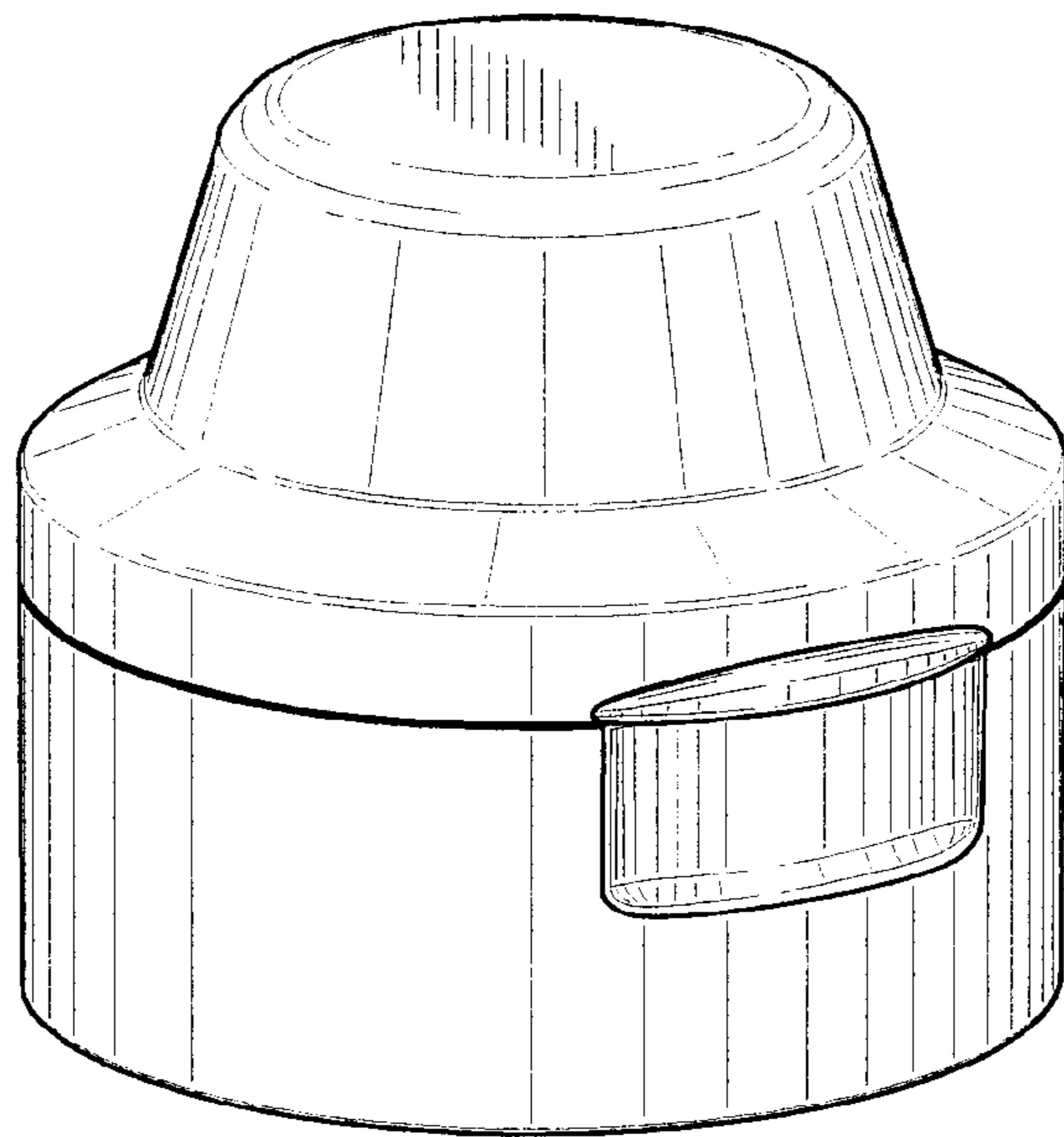


FIG. 1

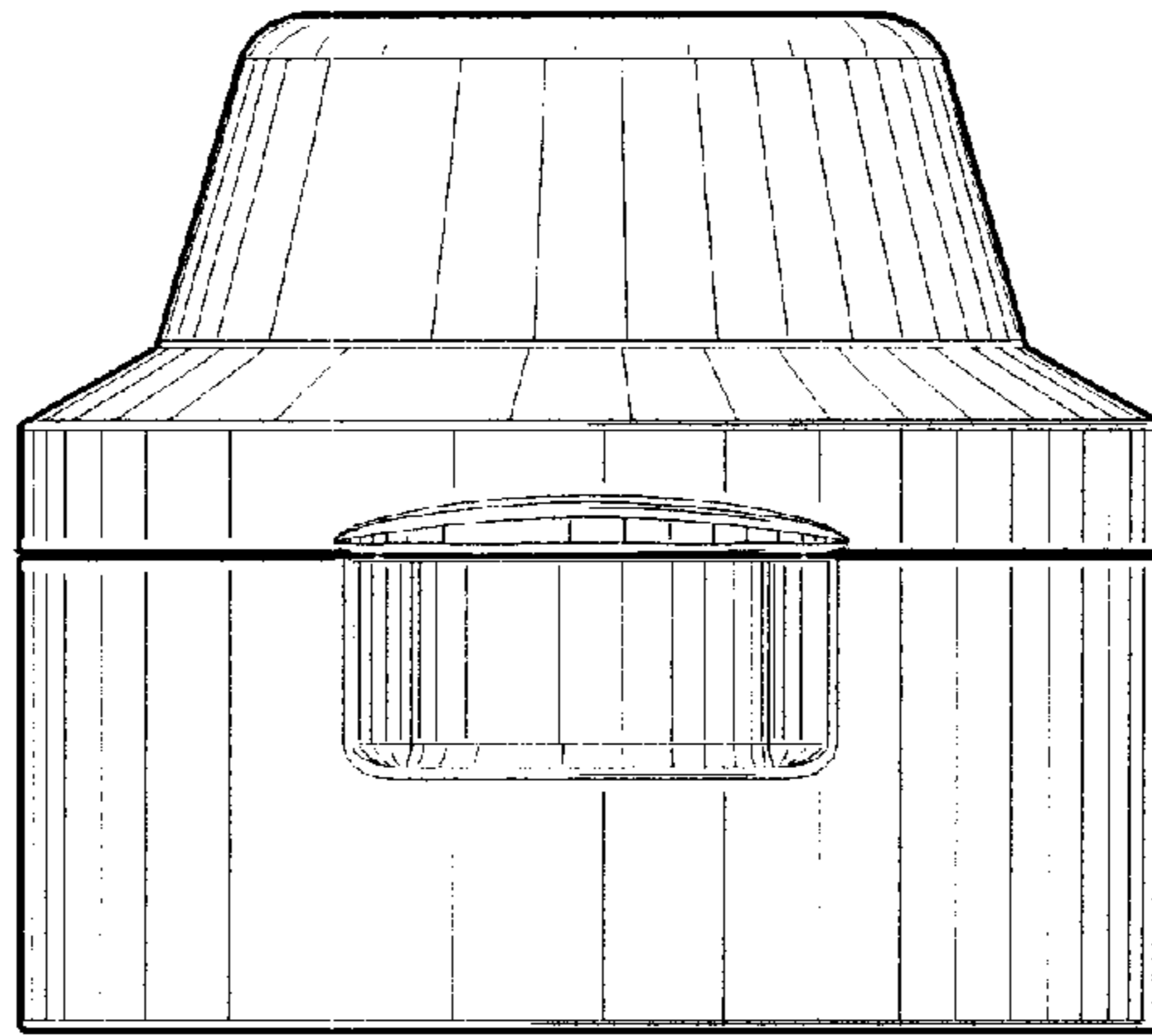


FIG. 2

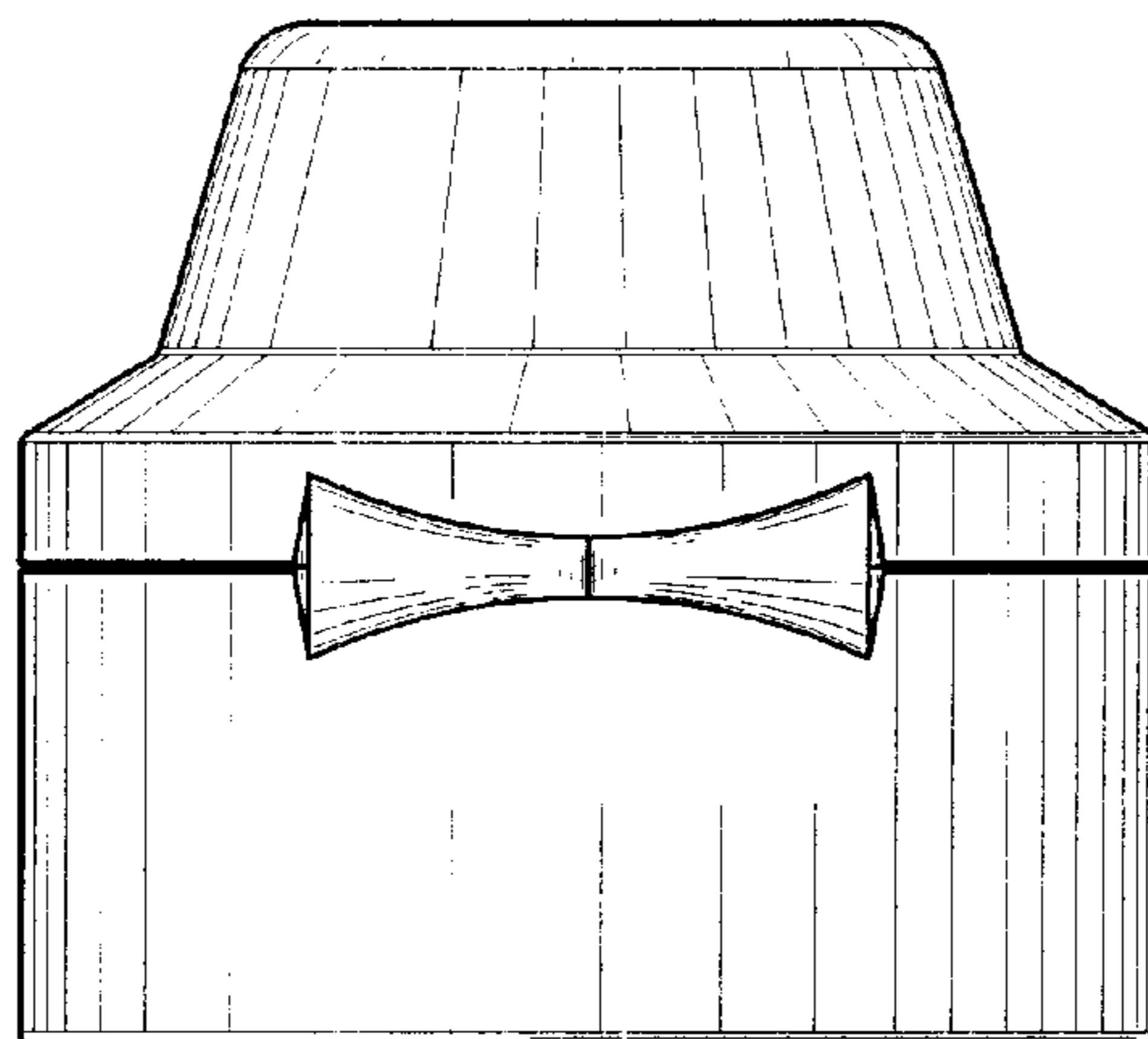


FIG. 3

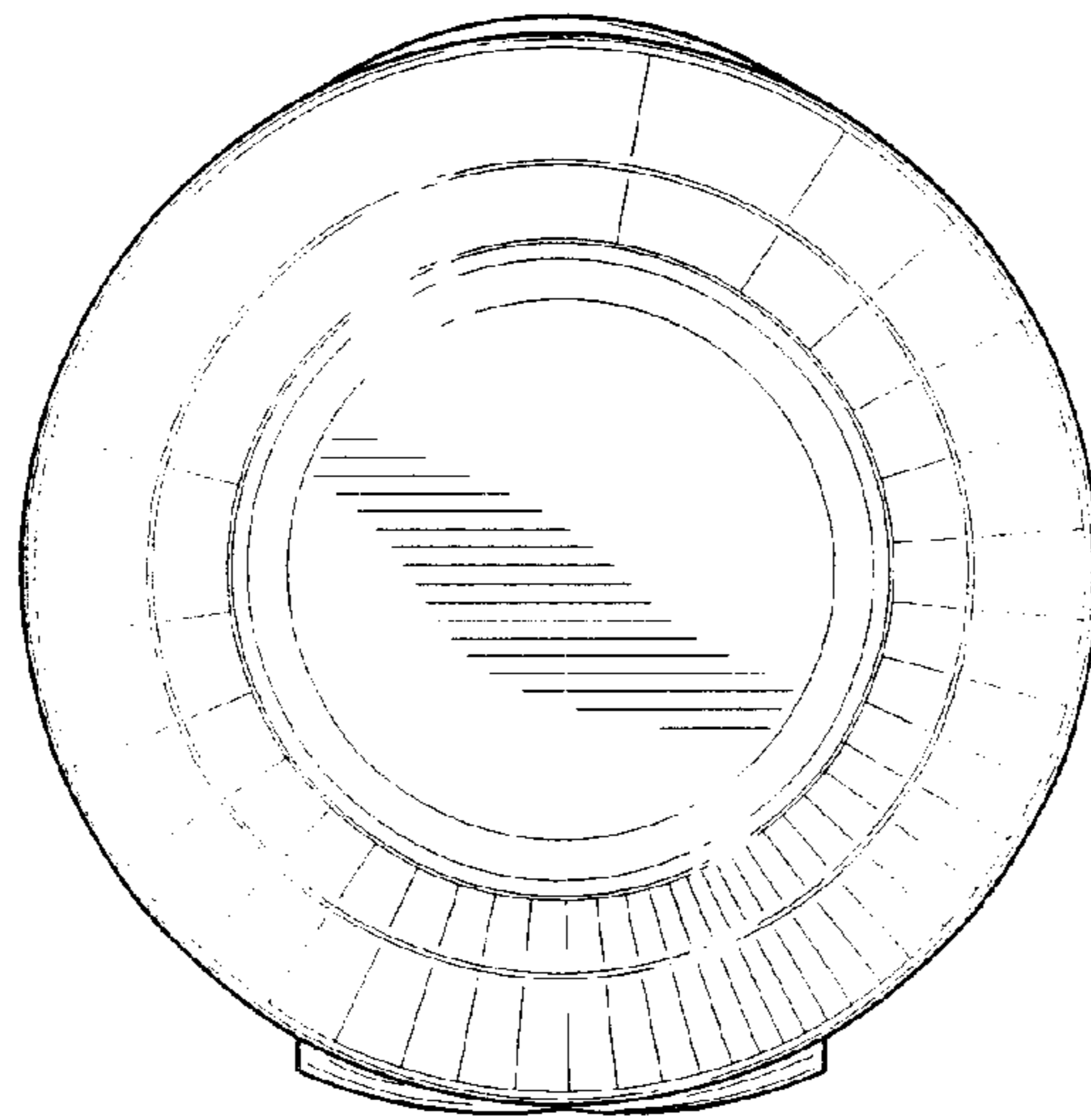


FIG. 4

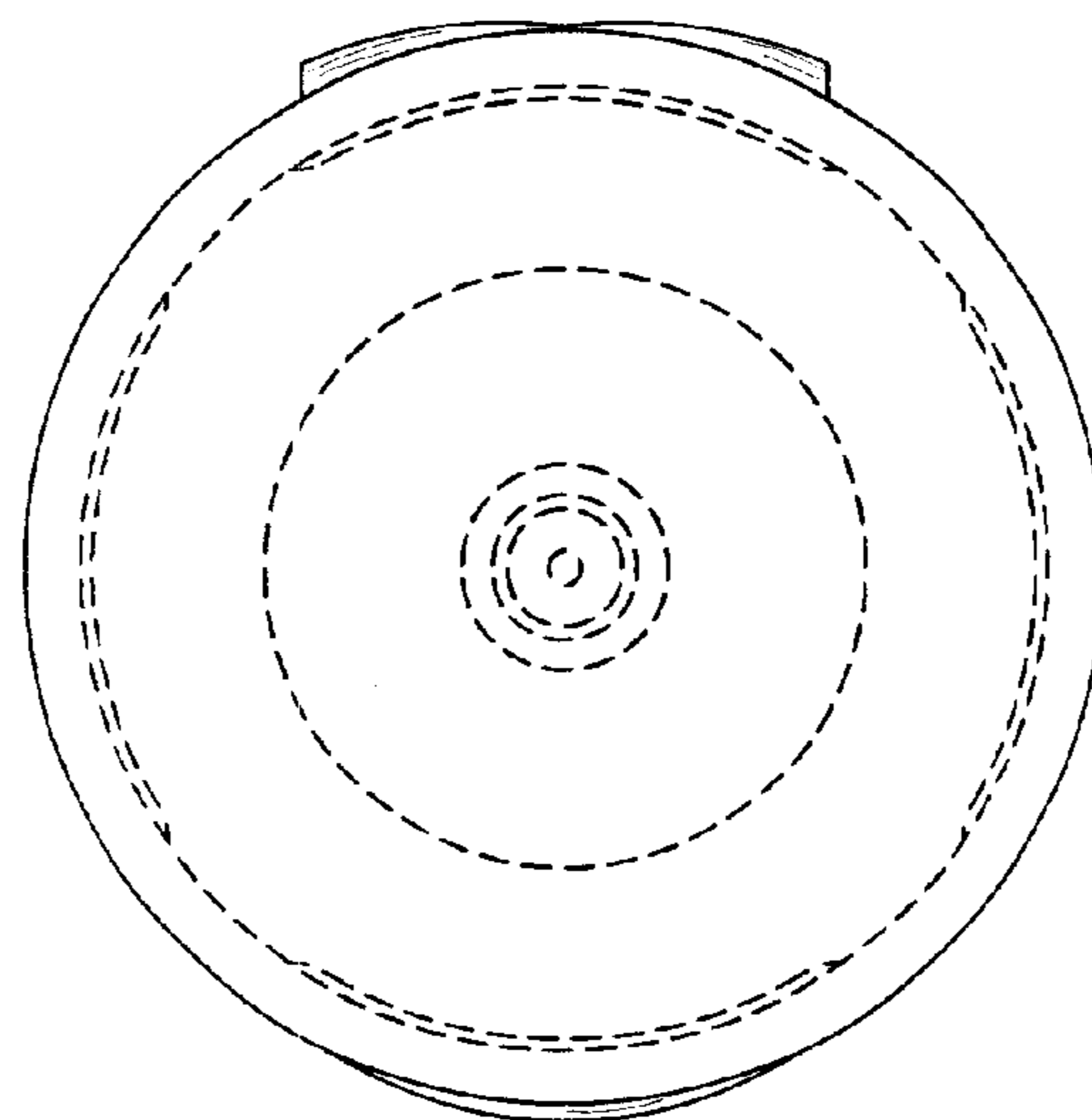


FIG. 5

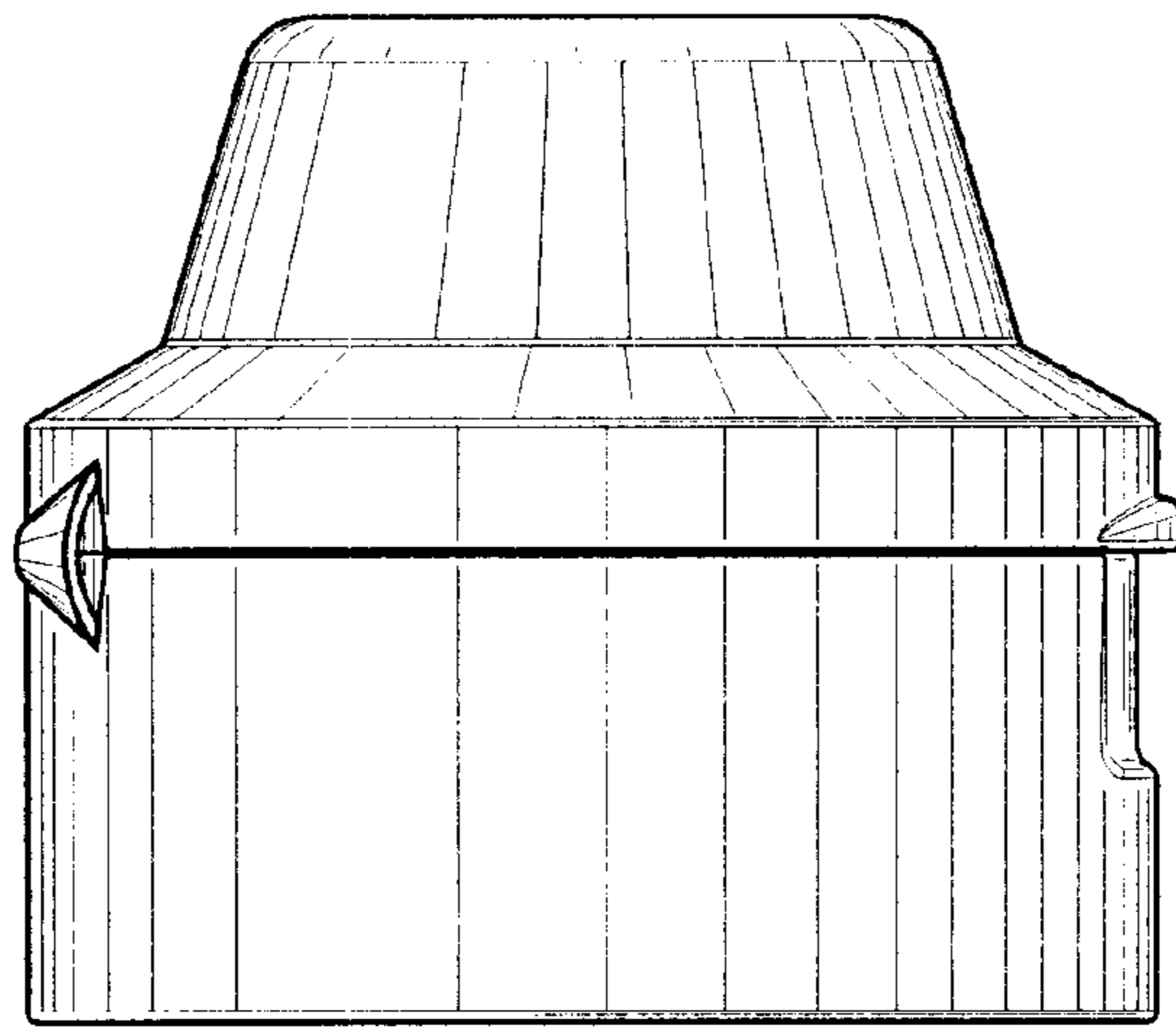


FIG. 6

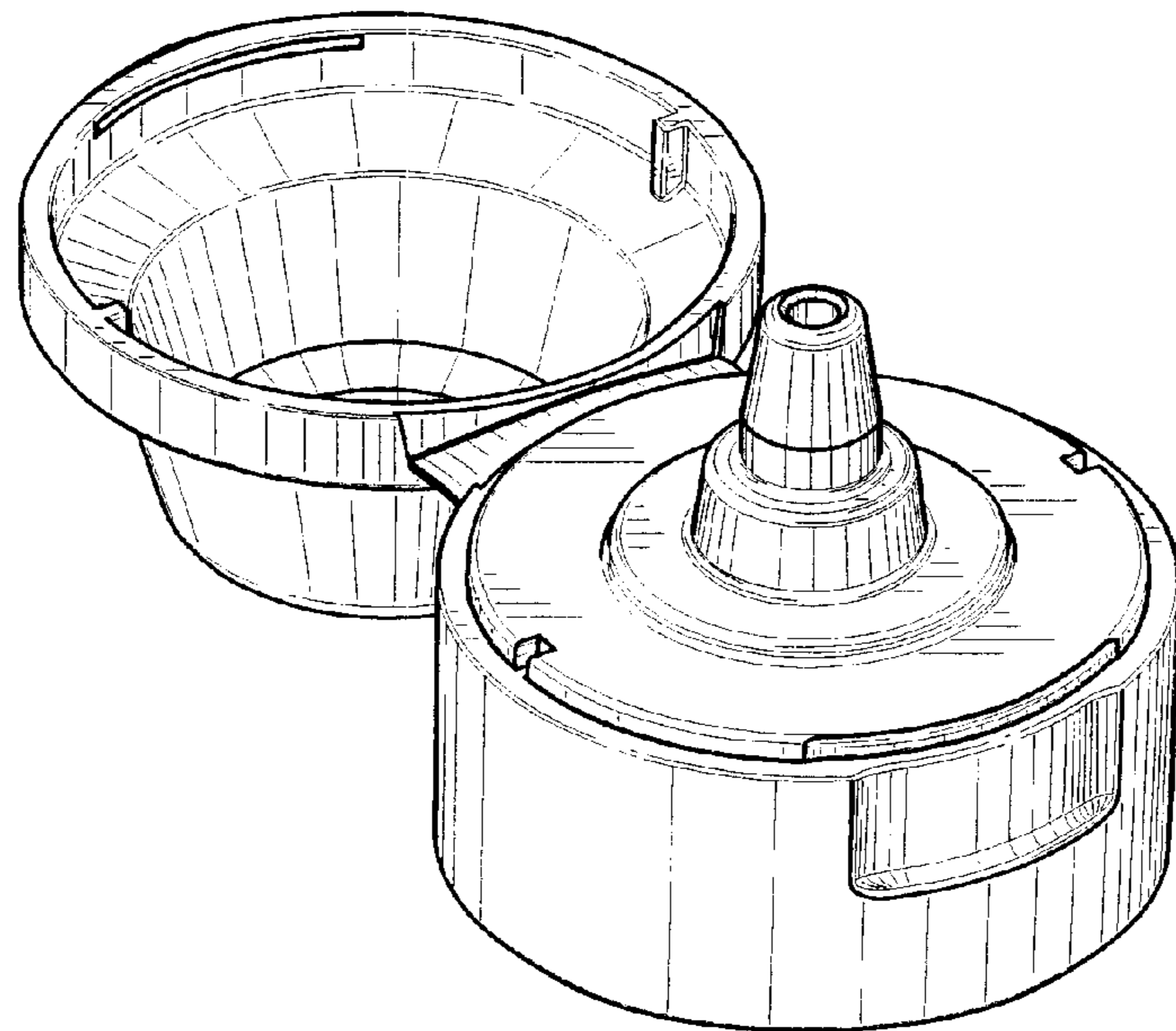


FIG. 7

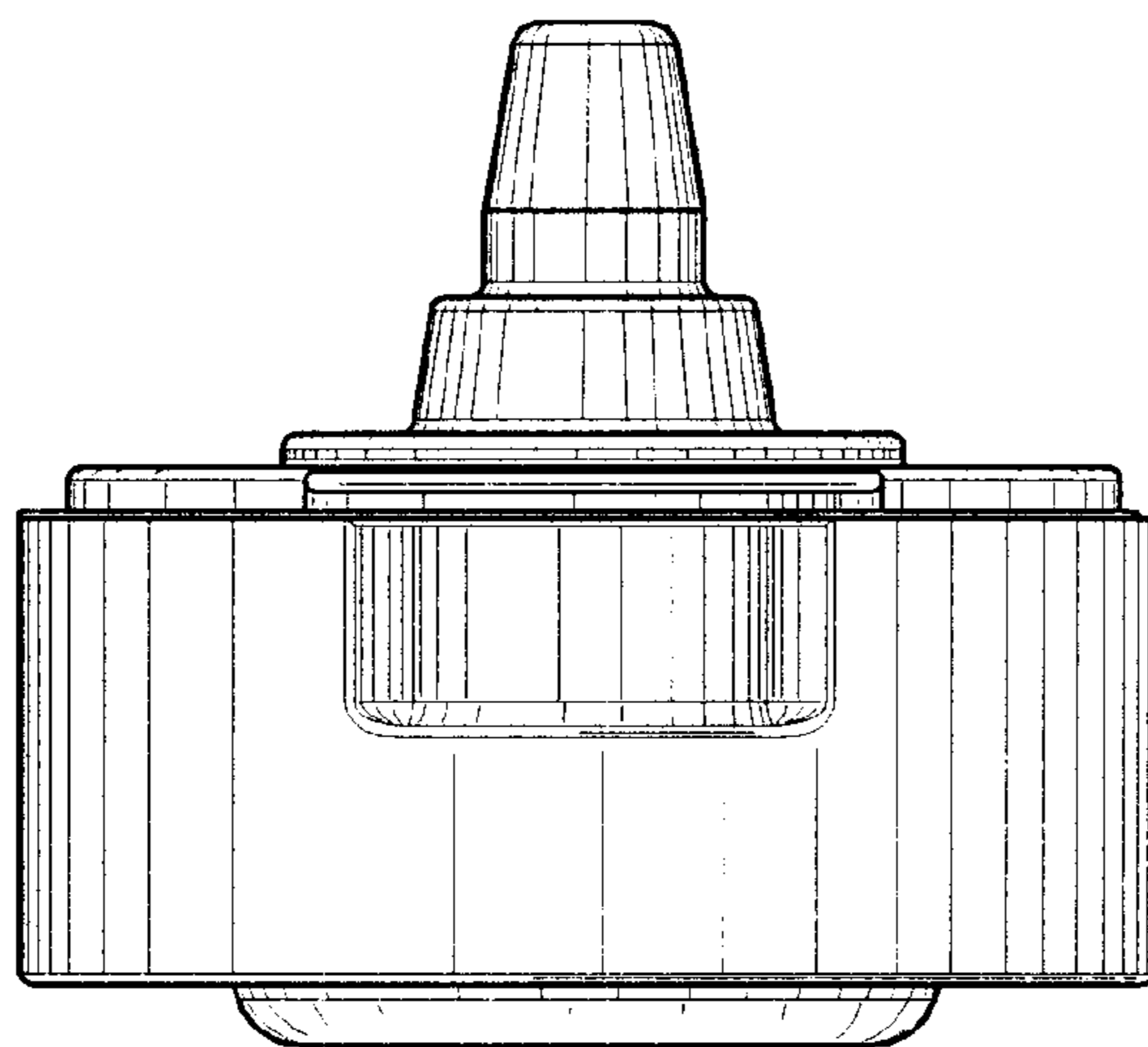


FIG. 8

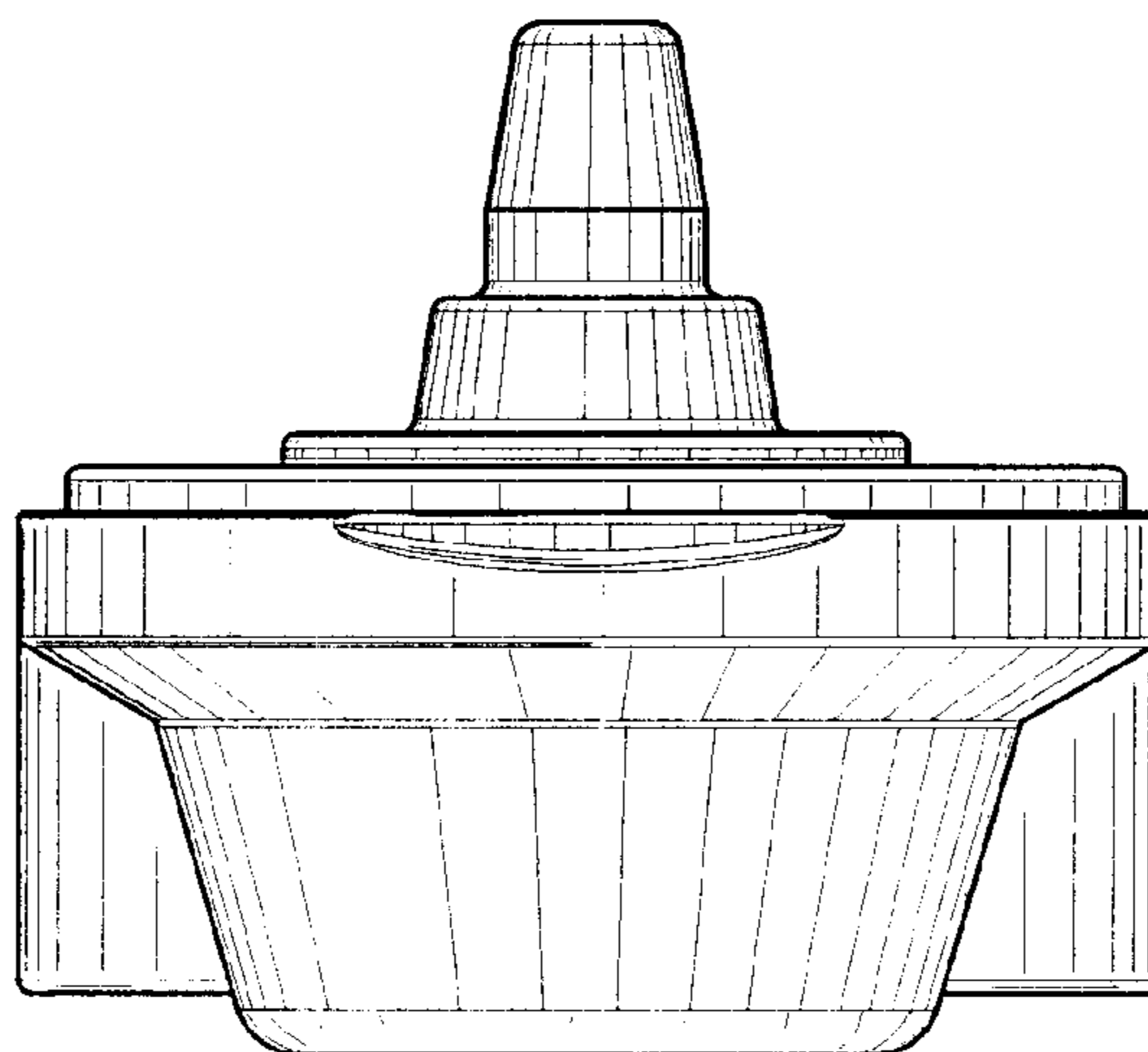


FIG. 9

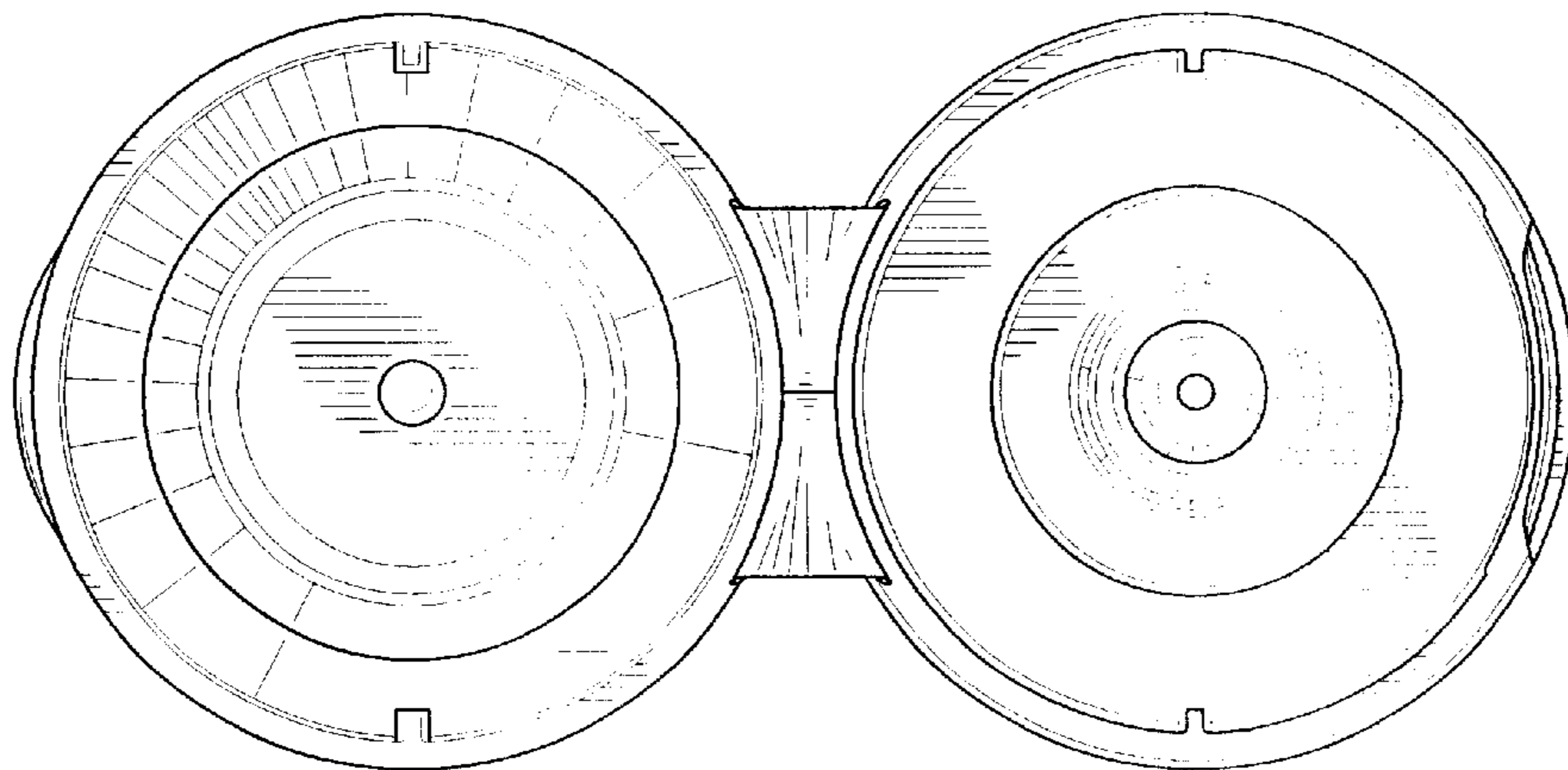


FIG. 10

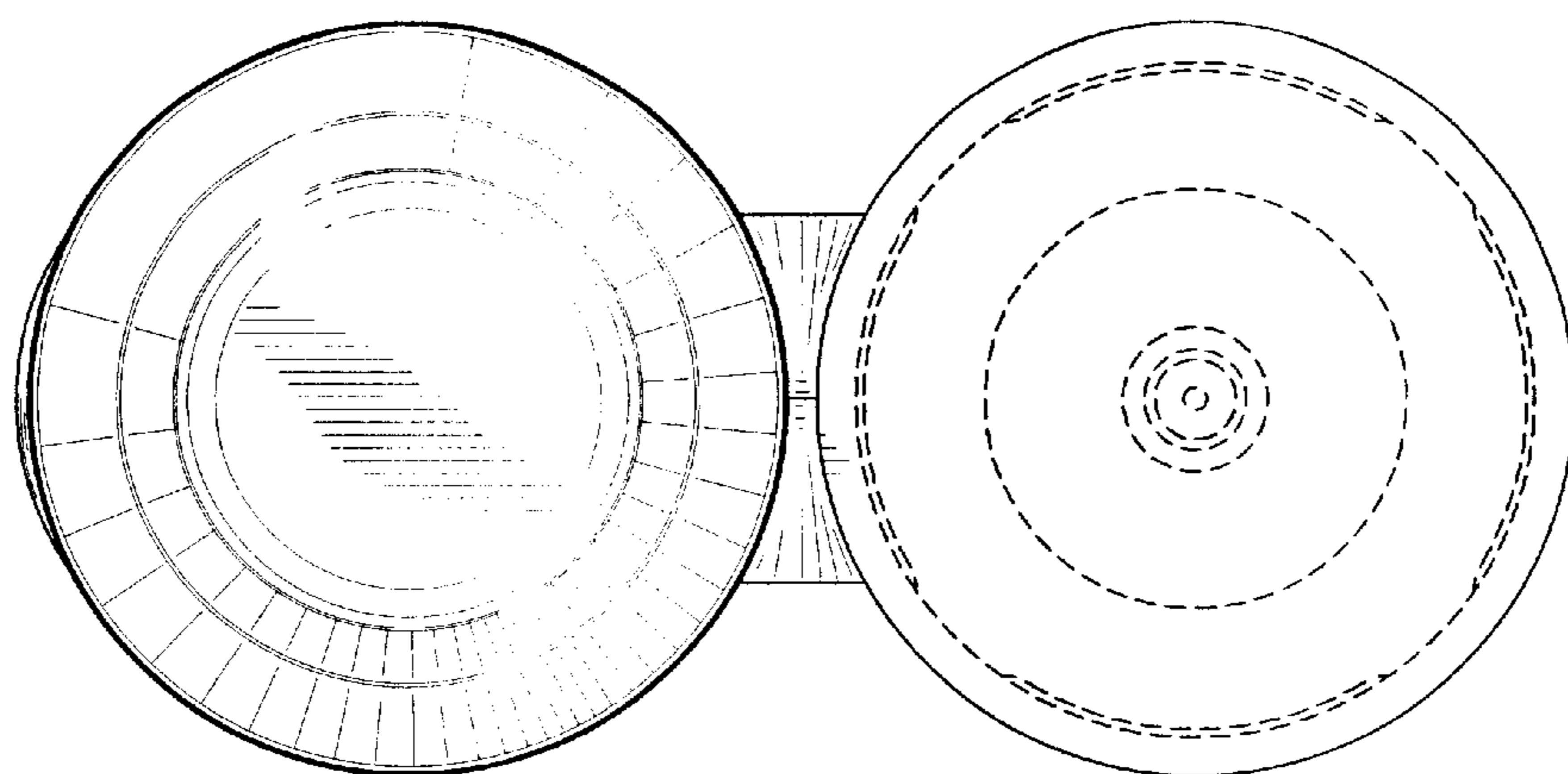


FIG. 11

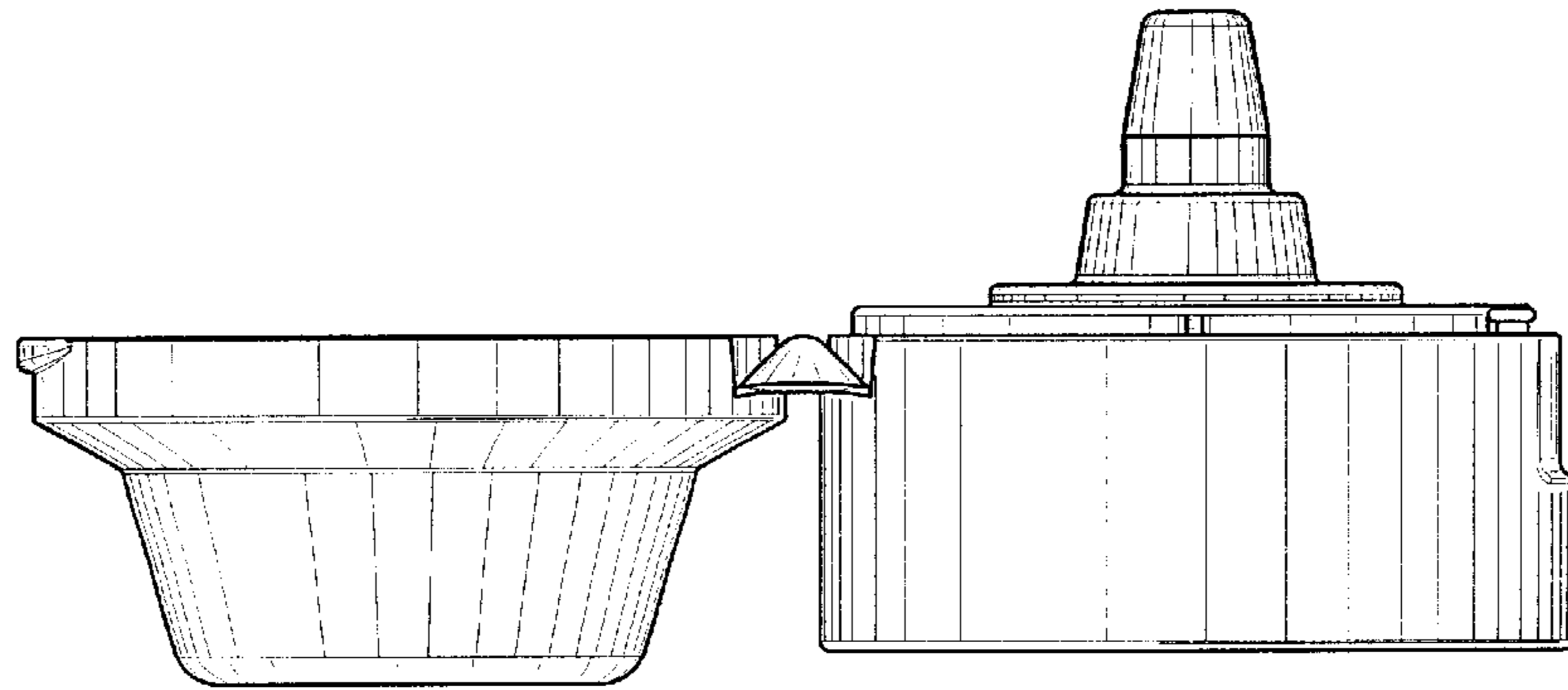


FIG. 12