



US00D540673S

(12) **United States Design Patent** (10) **Patent No.:** **US D540,673 S**  
**Hollis et al.** (45) **Date of Patent:** **\*\* Apr. 17, 2007**

(54) **DISPOSABLE CUP LID**

(75) Inventors: **Robert W. Hollis**, Homer Glen, IL (US); **Weston S. Koennecke**, Oak Park, IL (US); **John R. Geer, III**, Downers Grove, IL (US)

(73) Assignee: **Prairie Packaging Inc.**, Bedford Park, IL (US)

(\*\*) Term: **14 Years**

(21) Appl. No.: **29/248,888**

(22) Filed: **Sep. 8, 2006**

**Related U.S. Application Data**

(62) Division of application No. 29/230,074, filed on May 16, 2005.

(51) **LOC (8) Cl.** ..... **09-07**

(52) **U.S. Cl.** ..... **D9/447; D9/435**

(58) **Field of Classification Search** ..... D9/454, D9/450, 449, 447, 445, 441, 438, 435, 434; D7/629, 511, 510, 396.2, 392.1, 317, 391, D7/392; D3/203.2, 202; 222/555, 451.2; 220/713, 712, 270, 253, 454.1-9  
See application file for complete search history.

(56) **References Cited**

**U.S. PATENT DOCUMENTS**

2,184,215	A	12/1939	Geyer	
2,913,140	A	* 11/1959	Vuilleminot	220/210
3,302,858	A	2/1967	Miller	
3,596,792	A	8/1971	Wilcox	
3,777,968	A	12/1973	Law	
3,860,162	A	1/1975	Schutz	
3,952,910	A	4/1976	Wheeler	
RE28,797	E	5/1976	Brewer	

(Continued)

*Primary Examiner*—Robert M. Spear

*Assistant Examiner*—Susan Bennett Hattan

(74) *Attorney, Agent, or Firm*—Bell Boyd & Lloyd LLC

(57) **CLAIM**

The ornamental design for a disposable cup lid, as shown and described.

**DESCRIPTION**

This application relates to the following co-pending commonly owned patent applications: “Disposable Cup Lid,” Ser. No. 29/248,892; “Disposable Cup Lid,” Ser. No. 29/248,889; “Disposable Cup Lid,” Ser. No. 29/248,885; “Disposable Cup Lid,” Ser. No. 29/248,882; “Disposable Cup Lid,” Ser. No. 29/248,886; “Disposable Cup Lid,” Ser. No. 29/248,883; “Disposable Cup Lid,” Ser. No. 29/248,891; “Disposable Cup Lid,” Ser. No. 29/248,898; and “Disposable Cup Lid,” Ser. No. 29/248,896.

FIG. 1 is a rear perspective view of a disposable cup lid of our new design, that portion of the cup lid shown in phantom is not part of the claimed design and is provided for environmental purposes only.

FIG. 2 is a top plan view of the disposable cup lid of our new design illustrated in FIG. 1, that portion of the cup lid shown in phantom is not part of the claimed design and is provided for environmental purposes only.

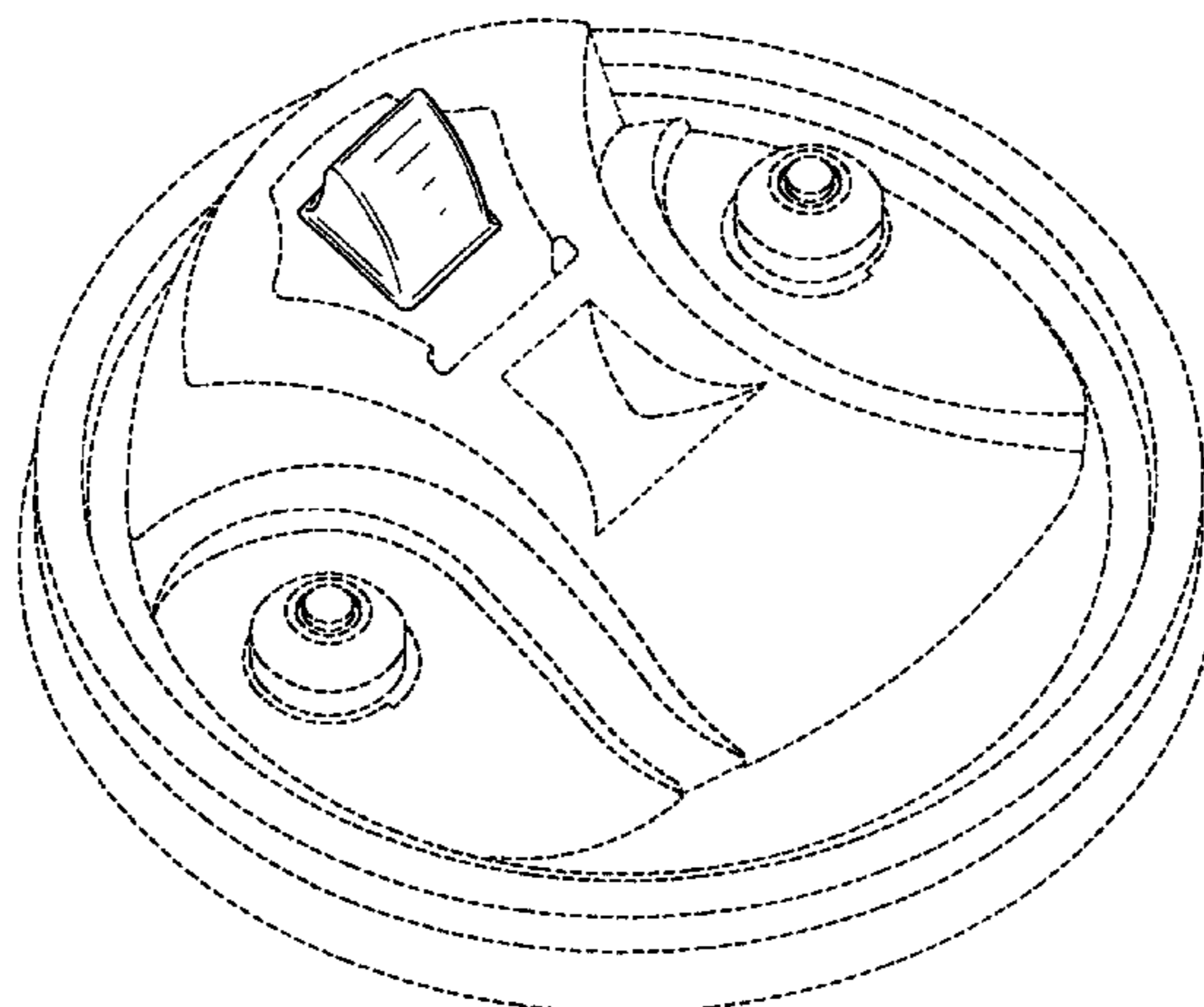
FIG. 3 is a bottom plan view of the disposable cup lid of the embodiment of our new design illustrated in FIG. 1, that portion of the cup lid shown in phantom is not part of the claimed design and is provided for environmental purposes only.

FIG. 4 is a front side view of the disposable cup lid of the embodiment of our new design illustrated in FIG. 1, that portion of the cup lid shown in phantom is not part of the claimed design and is provided for environmental purposes only.

FIG. 5 is a rear side view of the disposable cup lid of the embodiment of our new design illustrated in FIG. 1, that portion of the cup lid shown in phantom is not part of the claimed design and is provided for environmental purposes only; and,

FIG. 6 is a side view of the disposable cup lid of the embodiment of our new design illustrated in FIG. 1, that portion of the cup lid shown in phantom is not part of the claimed design and is provided for environmental purposes only.

**1 Claim, 3 Drawing Sheets**



# US D540,673 S

U.S. PATENT DOCUMENTS					
3,977,559	A	8/1976 Lombardi	5,503,289	A	4/1996 Fox
3,977,562	A	8/1976 Wedzik	5,509,568	A	4/1996 Warden et al.
3,994,411	A	11/1976 Elfelt et al.	D372,866	S	8/1996 Ahern, Jr.
4,056,210	A	11/1977 Boyle	D374,590	S	* 10/1996 Ahern, Jr. .... D7/392.1
4,090,660	A	5/1978 Schram et al.	D374,794	S	* 10/1996 Ahern, Jr. .... D7/392.1
4,106,660	A	8/1978 Boyle	5,613,619	A	3/1997 Van Melle
4,113,135	A	9/1978 Yamazaki	5,624,053	A	4/1997 Freek et al.
4,138,033	A	2/1979 Payne et al.	5,699,927	A	12/1997 Lane et al.
4,164,303	A	8/1979 Waterburg	5,706,972	A	* 1/1998 Sousa ..... 220/714
4,184,604	A	1/1980 Amberg et al.	D390,465	S	2/1998 Frye
4,186,842	A	2/1980 Albert	5,722,558	A	3/1998 Thompson
4,187,954	A	2/1980 Striggow	D394,184	S	5/1998 Demore
4,190,174	A	2/1980 Haimowitz	5,798,079	A	8/1998 Freek et al.
4,202,459	A	5/1980 DeParales et al.	5,820,016	A	10/1998 Stropkay
4,210,272	A	7/1980 Sequin	5,839,601	A	11/1998 Van Melle
4,243,156	A	1/1981 Lobbestael	D402,556	S	12/1998 Frye
D259,403	S	6/1981 Frazier, Jr.	D405,011	S	2/1999 DeCoster et al.
4,285,442	A	8/1981 Wedzik	5,894,950	A	4/1999 Kick
4,319,691	A	3/1982 Hament	5,894,952	A	4/1999 Mendenhall et al.
4,319,692	A	3/1982 Gundlach	5,911,331	A	6/1999 Boller
4,322,015	A	3/1982 Bailey	5,947,323	A	9/1999 Freek et al.
4,345,695	A	8/1982 Galloway et al.	D416,170	S	11/1999 Stucke, Jr. et al.
D267,633	S	1/1983 Christian	5,979,647	A	11/1999 Han
4,377,244	A	3/1983 Rossetti	5,996,837	A	12/1999 Freek et al.
4,412,629	A	11/1983 Dart et al.	D418,363	S	1/2000 Barnes et al.
D271,857	S	12/1983 Callahan	6,076,450	A	6/2000 DiGiorgio, Jr.
4,421,244	A	12/1983 Van Melle	6,079,588	A	6/2000 Khafizov
4,438,865	A	3/1984 Scattaregia	6,089,397	A	7/2000 Van Melle
4,441,624	A	4/1984 Sokolowski	6,176,390	B1	1/2001 Kemp
D274,502	S	7/1984 Little	6,209,748	B1	4/2001 Dunbar
4,460,103	A	7/1984 Rama et al.	6,220,470	B1	4/2001 McHenry et al.
RE31,650	E	8/1984 Serritella	6,260,727	B1	7/2001 Durdon
D274,983	S	8/1984 Dart et al.	D447,412	S	9/2001 Durdon
4,473,167	A	9/1984 Bailey	6,398,083	B2	6/2002 Nybakke
4,489,848	A	12/1984 Braude	D461,361	S	8/2002 Orr et al.
4,502,608	A	3/1985 Mills	6,505,753	B1	1/2003 Freek et al.
4,518,096	A	5/1985 Winstead	D470,009	S	2/2003 Turchi et al.
4,566,605	A	1/1986 Rogers	6,533,139	B2	3/2003 Lukacevic
4,582,214	A	4/1986 Dart et al.	6,571,973	B1	6/2003 Tripsianes
4,589,569	A	5/1986 Clements	D476,566	S	7/2003 Smith et al.
D285,416	S	9/1986 Dart et al.	D476,567	S	7/2003 Weiss et al.
4,615,459	A	10/1986 Clements	D476,891	S	7/2003 Clarke et al.
4,627,537	A	12/1986 Rogers	D477,223	S	7/2003 Smith et al.
4,629,088	A	12/1986 Durgin	D478,006	S	8/2003 Smith et al.
D287,919	S	1/1987 Clements	D479,802	S	* 9/2003 Arduini ..... D9/505
4,738,373	A	4/1988 DeParales	6,612,456	B1	9/2003 Hundley et al.
4,741,450	A	5/1988 Braude	D480,968	S	10/2003 Atkins et al.
4,753,365	A	6/1988 Seppala	D481,633	S	11/2003 Schmidtner et al.
4,756,440	A	7/1988 Gartner	6,644,490	B2	11/2003 Clarke
4,760,934	A	8/1988 Netsch	D485,758	S	1/2004 Clarke et al.
4,934,558	A	6/1990 Vargas	D485,759	S	1/2004 Janky et al.
4,938,379	A	7/1990 Kellner	6,679,397	B2	1/2004 Smith et al.
4,949,865	A	8/1990 Turner	D487,399	S	3/2004 Schmidtner et al.
4,953,743	A	9/1990 Dart et al.	6,702,145	B2	3/2004 Malcolm
5,050,759	A	9/1991 Marble	D489,260	S	5/2004 Smith et al.
D323,116	S	1/1992 Dart et al.	6,732,875	B2	5/2004 Smith et al.
5,090,584	A	2/1992 Roberts et al.	D493,718	S	8/2004 Durdon
5,111,961	A	5/1992 Van Melle	6,811,049	B2	11/2004 Lukacevic
5,165,579	A	* 11/1992 Lund ..... 222/192	6,824,003	B1	11/2004 Wong
5,183,172	A	2/1993 Boller	6,874,649	B2	4/2005 Clarke et al.
5,197,624	A	3/1993 Dodaro	6,886,707	B2	5/2005 Giraud
5,253,781	A	10/1993 Van Melle et al.	6,889,859	B1	5/2005 Leon
5,335,812	A	8/1994 Boller	6,889,860	B2	5/2005 Mazzarolo
5,348,181	A	9/1994 Smith et al.	D522,860	S	* 6/2006 LaFortune ..... D9/449
D353,769	S	12/1994 Miller	2002/0027139	A1	3/2002 O'Neill
D354,438	S	1/1995 Miller	2002/0038803	A1	4/2002 Malcolm
5,392,949	A	2/1995 McKenna	2003/0024929	A1	2/2003 Smith et al.
5,398,843	A	3/1995 Warden et al.	2003/0024930	A1	2/2003 Smith et al.
D360,133	S	7/1995 Boller	2003/0052127	A1	3/2003 Mazzarolo
5,490,609	A	2/1996 Lane et al.	2003/0089714	A1	5/2003 Dart et al.
			2003/0089726	A1	5/2003 Mazzarolo

# US D540,673 S

Page 3

---

2003/0102312	A1	6/2003	Horner	2004/0118847	A1	6/2004	Giraud
2003/0116568	A1	6/2003	Clarke et al.	2004/0195239	A1	10/2004	Rush et al.
2003/0178426	A1	9/2003	Freek et al.	2005/0092748	A1	5/2005	Durdon
2003/0192890	A1	10/2003	Mazzarolo	2005/0092749	A1	5/2005	Durdon
2003/0197012	A1	10/2003	Smith et al.	2006/0226147	A1 *	10/2006	Phillips ..... 220/254.2
2003/0218017	A1	11/2003	Schmidtner et al.	2006/0226148	A1 *	10/2006	Hundley et al. .... 220/254.3
2004/0035868	A1	2/2004	Smith et al.				
2004/0089662	A1	5/2004	Smith et al.				

\* cited by examiner

FIG.1

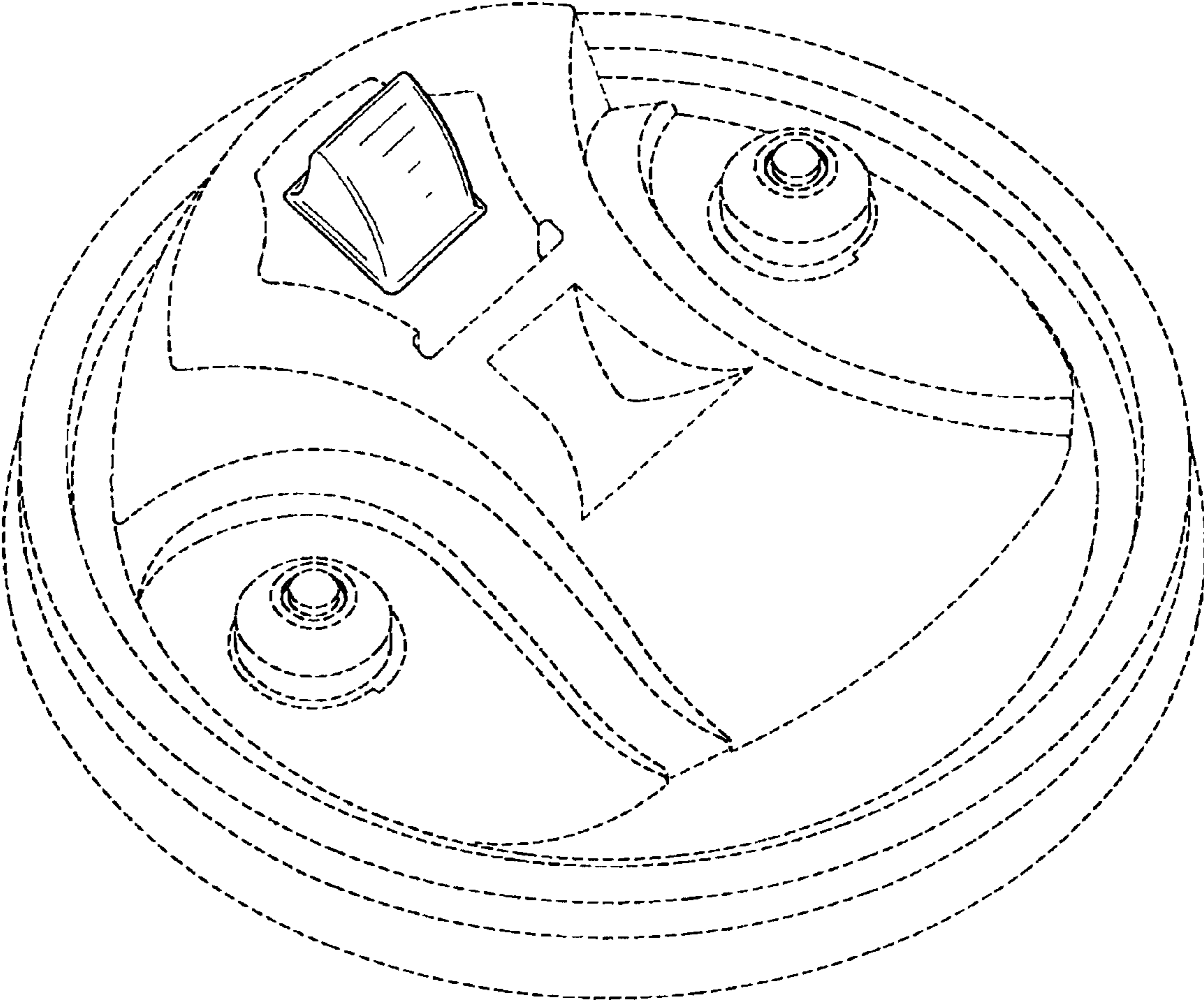


FIG. 2

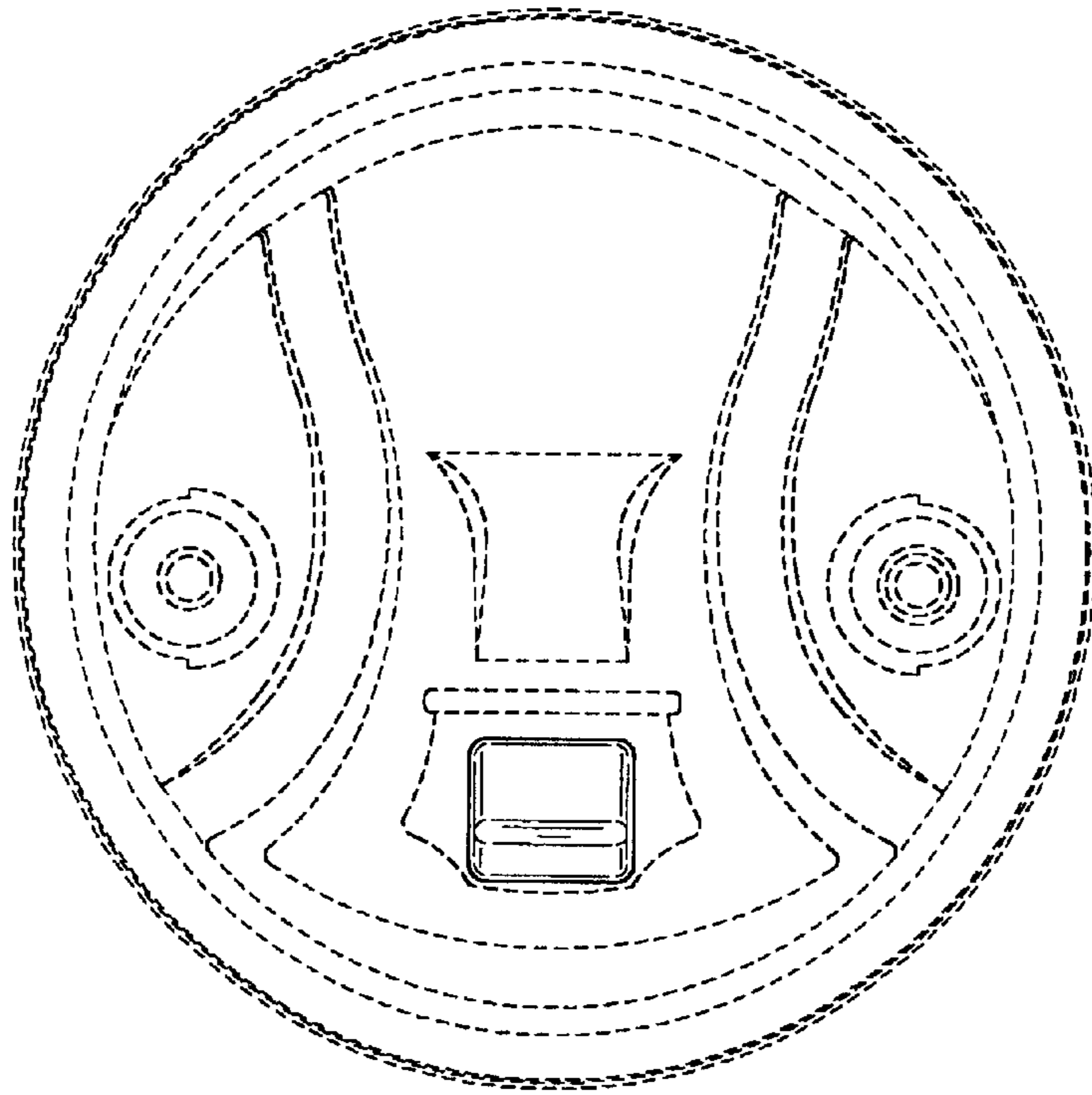


FIG. 3

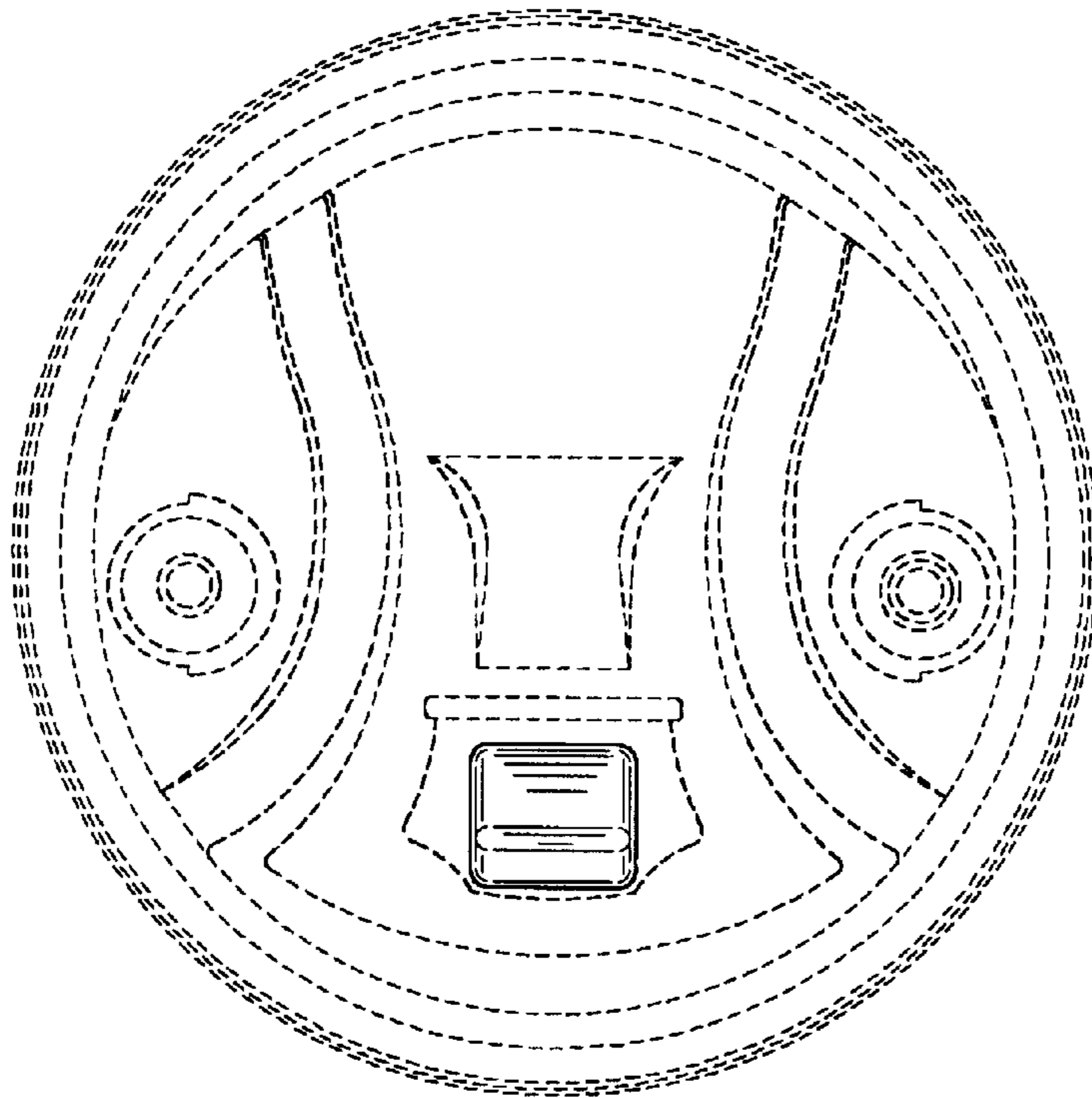


FIG.4

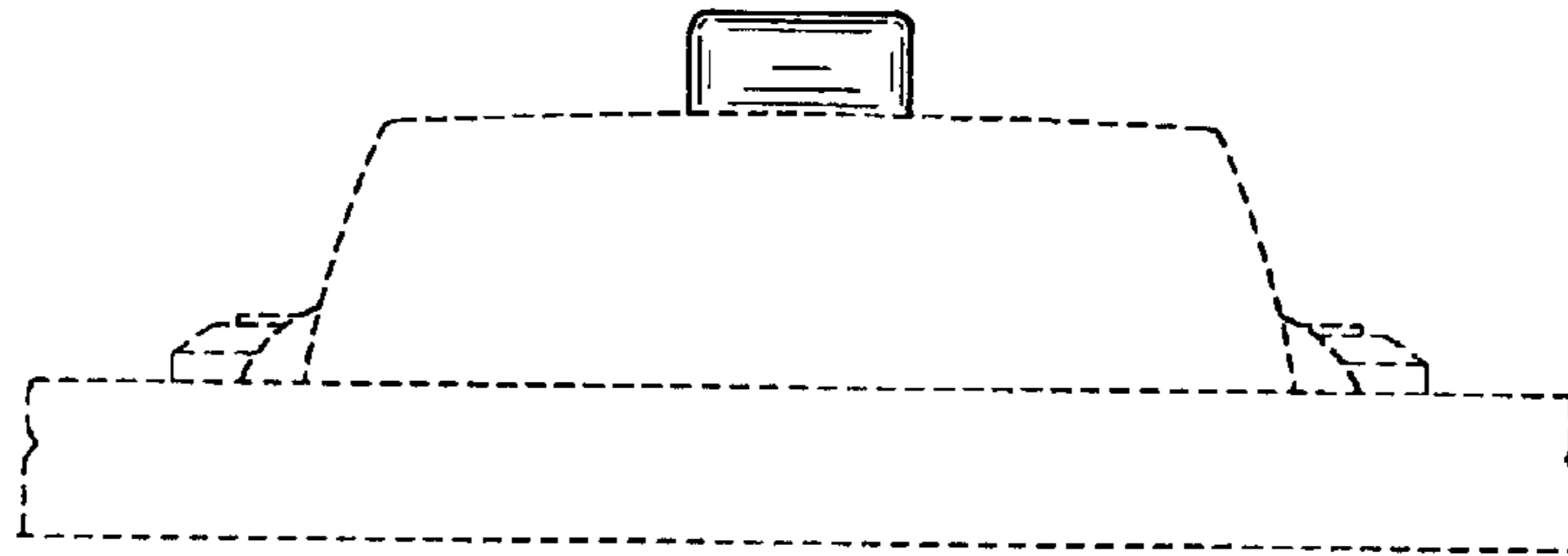


FIG.5

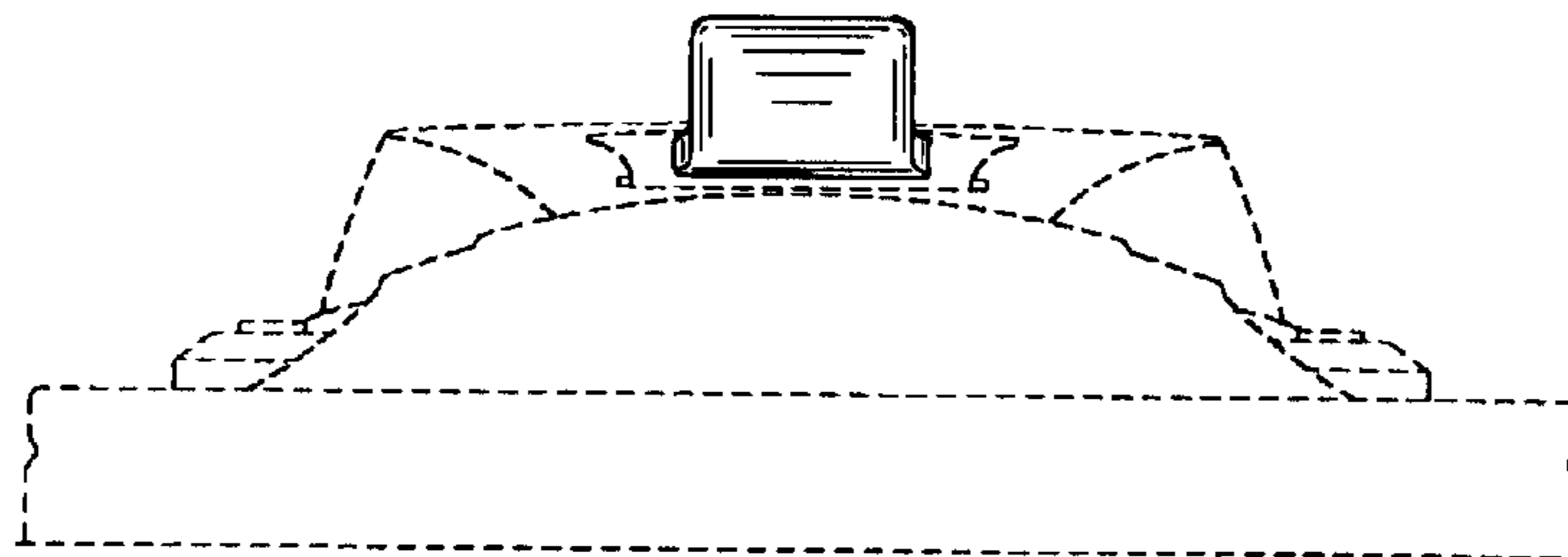


FIG.6

