



US00D540672S

(12) **United States Design Patent**
Hollis et al.

(10) **Patent No.: US D540,672 S**

(45) **Date of Patent: ** Apr. 17, 2007**

(54) **DISPOSABLE CUP LID**

(75) Inventors: **Robert W. Hollis**, Homer Glen, IL (US); **Weston S. Koennecke**, Oak Park, IL (US); **John R. Geer, III**, Downers Grove, IL (US)

(73) Assignee: **Prairie Packaging Inc.**, Bedford Park, IL (US)

(**) Term: **14 Years**

(21) Appl. No.: **29/248,882**

(22) Filed: **Sep. 8, 2006**

Related U.S. Application Data

(62) Division of application No. 29/230,074, filed on May 16, 2005.

(51) **LOC (8) Cl.** **09-07**

(52) **U.S. Cl.** **D9/447; D9/435**

(58) **Field of Classification Search** D9/454, D9/450, 449, 447, 445, 441, 438, 435, 434; D7/629, 511, 510, 396.2, 392.1, 317, 391, D7/392; D3/203.2, 202; 222/555, 451.2; 220/713, 712, 270, 253, 454.1-9

See application file for complete search history.

(56) **References Cited**

U.S. PATENT DOCUMENTS

2,184,215	A	12/1939	Geyer	
2,913,140	A	* 11/1959	Vuilleminot	220/210
3,302,858	A	2/1967	Miller	
3,596,792	A	8/1971	Wilcox	
3,777,968	A	12/1973	Law	
3,860,162	A	1/1975	Schutz	
3,952,910	A	4/1976	Wheeler	
RE28,797	E	5/1976	Brewer	

(Continued)

Primary Examiner—Robert M. Spear

Assistant Examiner—Susan Bennett Hattan

(74) *Attorney, Agent, or Firm*—Bell Boyd & Lloyd LLC

(57) **CLAIM**

The ornamental design for a disposable cup lid, as shown and described.

DESCRIPTION

This application relates to the following co-pending commonly owned patent applications: “Disposable Cup Lid,” Ser. No. 29/248,892; “Disposable Cup Lid,” Ser. No. 29/248,889; “Disposable Cup Lid,” Ser. No. 29/248,885; “Disposable Cup Lid,” Ser. No. 29/248,886; “Disposable Cup Lid,” Ser. No. 29/248,883; “Disposable Cup Lid,” Ser. No. 29/248,888; “Disposable Cup Lid,” Ser. No. 29/248,891; “Disposable Cup Lid,” Ser. No. 29/248,898; and “Disposable Cup Lid,” Ser. No. 29/248,896.

FIG. 1 is a rear perspective view of a disposable cup lid of our new design, that portion of the cup lid shown in phantom is not part of the claimed design and is provided for environmental purposes only.

FIG. 2 is a top plan view of the disposable cup lid of our new design illustrated in FIG. 1, that portion of the cup lid shown in phantom is not part of the claimed design and is provided for environmental purposes only.

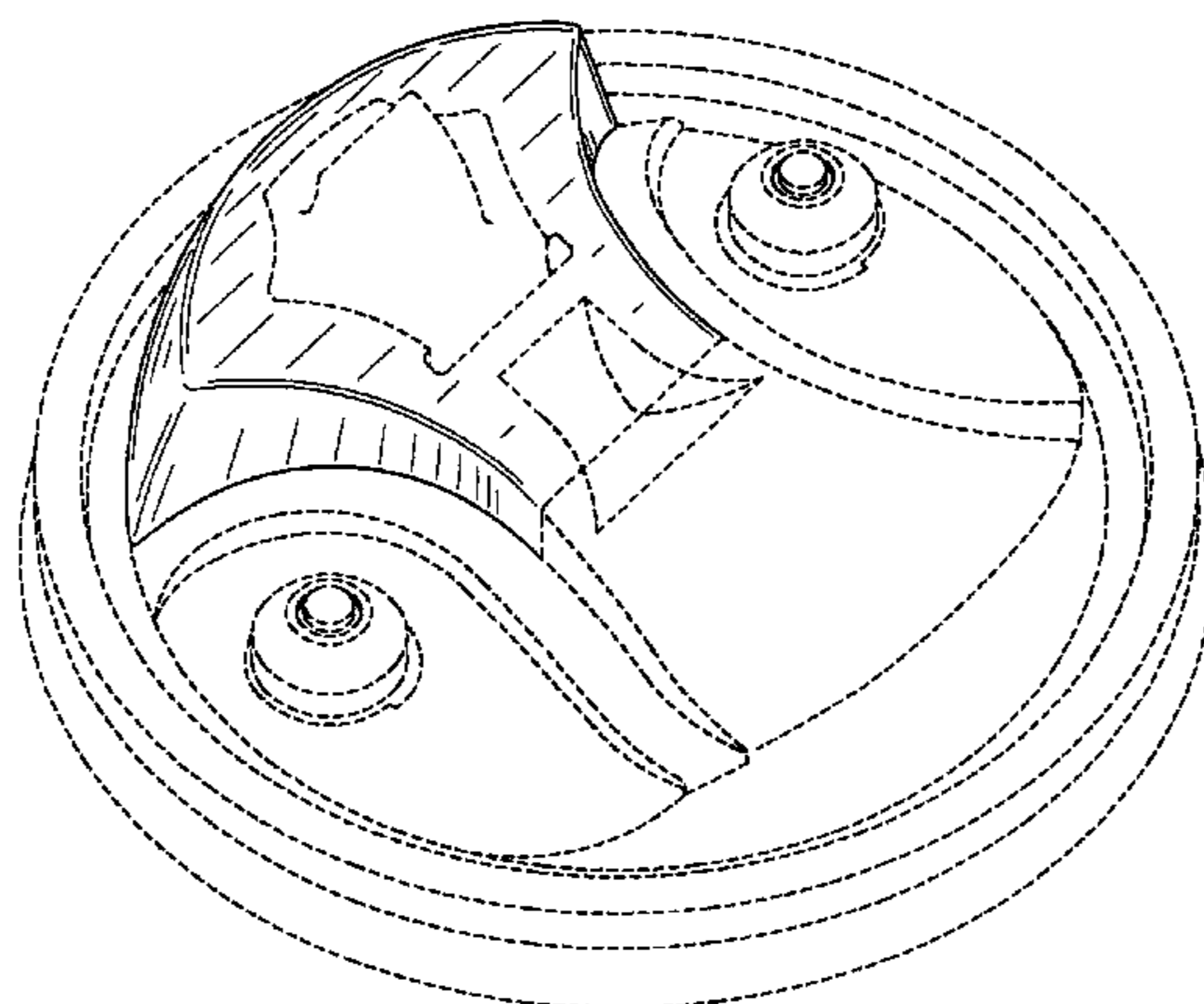
FIG. 3 is a bottom plan view of the disposable cup lid of our new design illustrated in FIG. 1, that portion of the cup lid shown in phantom is not part of the claimed design and is provided for environmental purposes only.

FIG. 4 is a front side view of the disposable cup lid of our new design illustrated in FIG. 1, that portion of the cup lid shown in phantom is not part of the claimed design and is provided for environmental purposes only.

FIG. 5 is a rear side view of the disposable cup lid of our new design illustrated in FIG. 1, that portion of the cup lid shown in phantom is not part of the claimed design and is provided for environmental purposes only; and,

FIG. 6 is a side view of the disposable cup lid of our new design illustrated in FIG. 1, that portion of the cup lid shown in phantom is not part of the claimed design and is provided for environmental purposes only.

1 Claim, 3 Drawing Sheets



OTHER PUBLICATIONS

3,977,559 A	8/1976	Lombardi	5,503,289 A	4/1996	Fox
3,977,562 A	8/1976	Wedzik	5,509,568 A	4/1996	Warden et al.
3,994,411 A	11/1976	Elfelt et al.	D372,866 S	8/1996	Ahern, Jr.
4,056,210 A	11/1977	Boyle	D374,590 S	* 10/1996	Ahern, Jr. D7/392.1
4,090,660 A	5/1978	Schram et al.	D374,794 S	* 10/1996	Ahern, Jr. D7/392.1
4,106,660 A	8/1978	Boyle	5,613,619 A	3/1997	Van Melle
4,113,135 A	9/1978	Yamazaki	5,624,053 A	4/1997	Freek et al.
4,138,033 A	2/1979	Payne et al.	5,699,927 A	12/1997	Lane et al.
4,164,303 A	8/1979	Waterburg	5,706,972 A	* 1/1998	Sousa 220/714
4,184,604 A	1/1980	Amberg et al.	D390,465 S	2/1998	Frye
4,186,842 A	2/1980	Albert	5,722,558 A	3/1998	Thompson
4,187,954 A	2/1980	Striggow	D394,184 S	5/1998	Demore
4,190,174 A	2/1980	Haimowitz	5,798,079 A	8/1998	Freek et al.
4,202,459 A	5/1980	DeParales et al.	5,820,016 A	10/1998	Stropkay
4,210,272 A	7/1980	Sequin	5,839,601 A	11/1998	Van Melle
4,243,156 A	1/1981	Lobbestael	D402,556 S	12/1998	Frye
D259,403 S	6/1981	Frazier, Jr.	D405,011 S	2/1999	DeCoster et al.
4,285,442 A	8/1981	Wedzik	5,894,950 A	4/1999	Kick
4,319,691 A	3/1982	Hament	5,894,952 A	4/1999	Mendenhall et al.
4,319,692 A	3/1982	Gundlach	5,911,331 A	6/1999	Boller
4,322,015 A	3/1982	Bailey	5,947,323 A	9/1999	Freek et al.
4,345,695 A	8/1982	Galloway et al.	D416,170 S	11/1999	Stucke, Jr. et al.
D267,633 S	1/1983	Christian	5,979,647 A	11/1999	Han
4,377,244 A	3/1983	Rossetti	5,996,837 A	12/1999	Freek et al.
4,412,629 A	11/1983	Dart et al.	D418,363 S	1/2000	Barnes et al.
D271,857 S	12/1983	Callahan	6,076,450 A	6/2000	DiGiorgio, Jr.
4,421,244 A	12/1983	Van Melle	6,079,588 A	6/2000	Khafizov
4,438,865 A	3/1984	Scattaregia	6,089,397 A	7/2000	Van Melle
4,441,624 A	4/1984	Sokolowski	6,176,390 B1	1/2001	Kemp
D274,502 S	7/1984	Little	6,209,748 B1	4/2001	Dunbar
4,460,103 A	7/1984	Rama et al.	6,220,470 B1	4/2001	McHenry et al.
RE31,650 E	8/1984	Serritella	6,260,727 B1	7/2001	Durdon
D274,983 S	8/1984	Dart et al.	D447,412 S	9/2001	Durdon
4,473,167 A	9/1984	Bailey	6,398,083 B2	6/2002	Nybakke
4,489,848 A	12/1984	Braude	D461,361 S	8/2002	Orr et al.
4,502,608 A	3/1985	Mills	6,505,753 B1	1/2003	Freek et al.
4,518,096 A	5/1985	Winstead	D470,009 S	2/2003	Turchi et al.
4,566,605 A	1/1986	Rogers	6,533,139 B2	3/2003	Lukacevic
4,582,214 A	4/1986	Dart et al.	6,571,973 B1	6/2003	Tripsianes
4,589,569 A	5/1986	Clements	D476,566 S	7/2003	Smith et al.
D285,416 S	9/1986	Dart et al.	D476,567 S	7/2003	Weiss et al.
4,615,459 A	10/1986	Clements	D476,891 S	7/2003	Clarke et al.
4,627,537 A	12/1986	Rogers	D477,223 S	7/2003	Smith et al.
4,629,088 A	12/1986	Durgin	D478,006 S	8/2003	Smith et al.
D287,919 S	1/1987	Clements	D479,802 S	* 9/2003	Arduini D9/505
4,738,373 A	4/1988	DeParales	6,612,456 B1	9/2003	Hundley et al.
4,741,450 A	5/1988	Braude	D480,968 S	10/2003	Atkins et al.
4,753,365 A	6/1988	Seppala	D481,633 S	11/2003	Schmidtner et al.
4,756,440 A	7/1988	Gartner	6,644,490 B2	11/2003	Clarke
4,760,934 A	8/1988	Netsch	D485,758 S	1/2004	Clarke et al.
4,934,558 A	6/1990	Vargas	D485,759 S	1/2004	Janky et al.
4,938,379 A	7/1990	Kellner	6,679,397 B2	1/2004	Smith et al.
4,949,865 A	8/1990	Turner	D487,399 S	3/2004	Schmidtner et al.
4,953,743 A	9/1990	Dart et al.	6,702,145 B2	3/2004	Malcolm
5,050,759 A	9/1991	Marble	D489,260 S	5/2004	Smith et al.
D323,116 S	1/1992	Dart et al.	6,732,875 B2	5/2004	Smith et al.
5,090,584 A	2/1992	Roberts et al.	D493,718 S	8/2004	Durdon
5,111,961 A	5/1992	Van Melle	6,811,049 B2	11/2004	Lukacevic
5,165,579 A	* 11/1992	Lund 222/192	6,824,003 B1	11/2004	Wong
5,183,172 A	2/1993	Boller	6,874,649 B2	4/2005	Clarke et al.
5,197,624 A	3/1993	Dodaro	6,886,707 B2	5/2005	Giraud
5,253,781 A	10/1993	Van Melle et al.	6,889,859 B1	5/2005	Leon
5,335,812 A	8/1994	Boller	6,889,860 B2	5/2005	Mazzarolo
5,348,181 A	9/1994	Smith et al.	D522,860 S	* 6/2006	LaFortune D9/449
D353,769 S	12/1994	Miller	2002/0027139 A1	3/2002	O'Neill
D354,438 S	1/1995	Miller	2002/0038803 A1	4/2002	Malcolm
5,392,949 A	2/1995	McKenna	2003/0024929 A1	2/2003	Smith et al.
5,398,843 A	3/1995	Warden et al.	2003/0024930 A1	2/2003	Smith et al.
D360,133 S	7/1995	Boller	2003/0052127 A1	3/2003	Mazzarolo
5,490,609 A	2/1996	Lane et al.	2003/0089714 A1	5/2003	Dart et al.
			2003/0089726 A1	5/2003	Mazzarolo

US D540,672 S

Page 3

2003/0102312	A1	6/2003	Horner	2004/0118847	A1	6/2004	Giraud
2003/0116568	A1	6/2003	Clarke et al.	2004/0195239	A1	10/2004	Rush et al.
2003/0178426	A1	9/2003	Freek et al.	2005/0092748	A1	5/2005	Durdon
2003/0192890	A1	10/2003	Mazzarolo	2005/0092749	A1	5/2005	Durdon
2003/0197012	A1	10/2003	Smith et al.	2006/0226147	A1 *	10/2006	Phillips 220/254.2
2003/0218017	A1	11/2003	Schmidtner et al.	2006/0226148	A1 *	10/2006	Hundley et al. 220/254.3
2004/0035868	A1	2/2004	Smith et al.				
2004/0089662	A1	5/2004	Smith et al.				

* cited by examiner

FIG.1

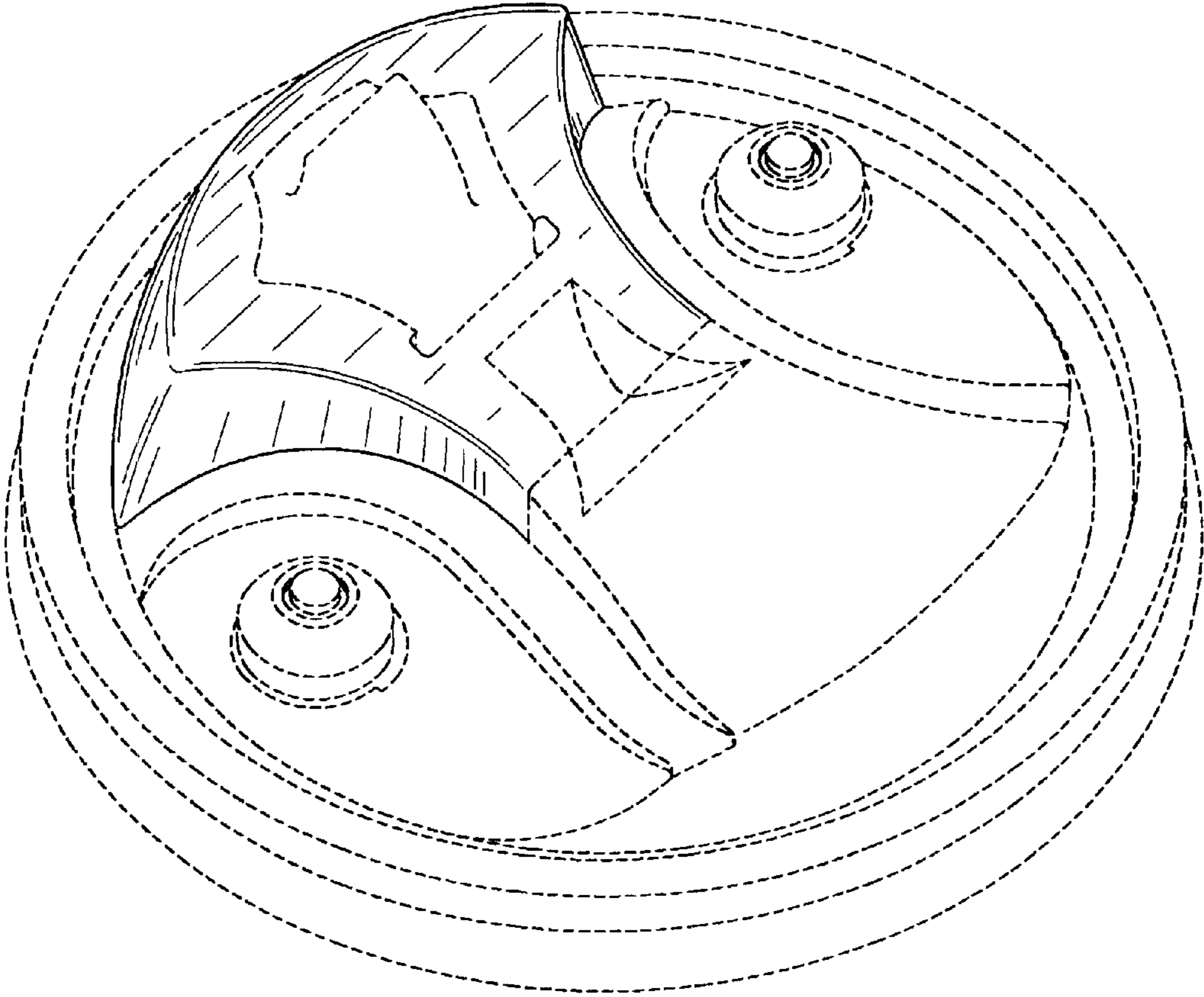


FIG. 2

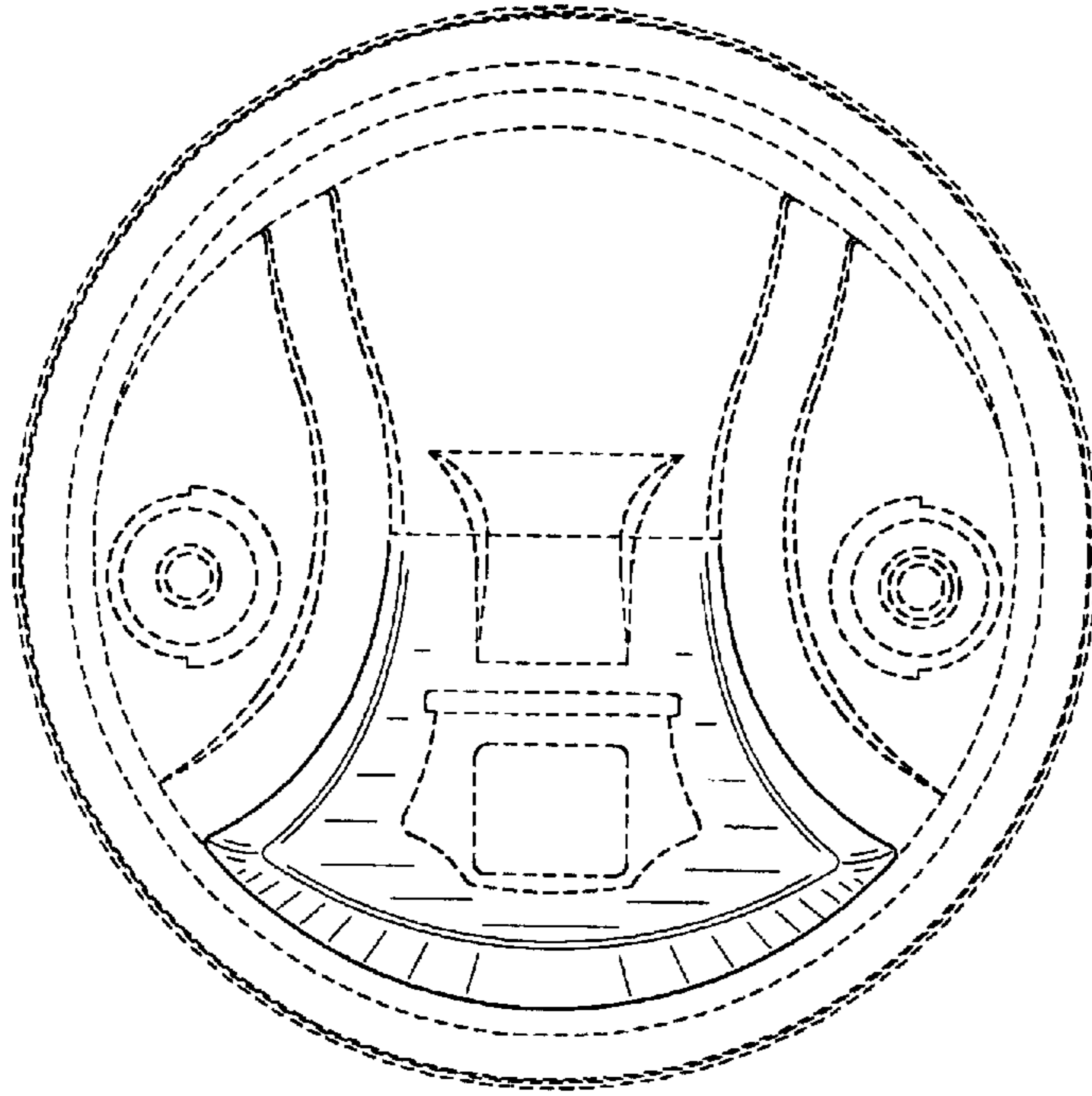


FIG. 3

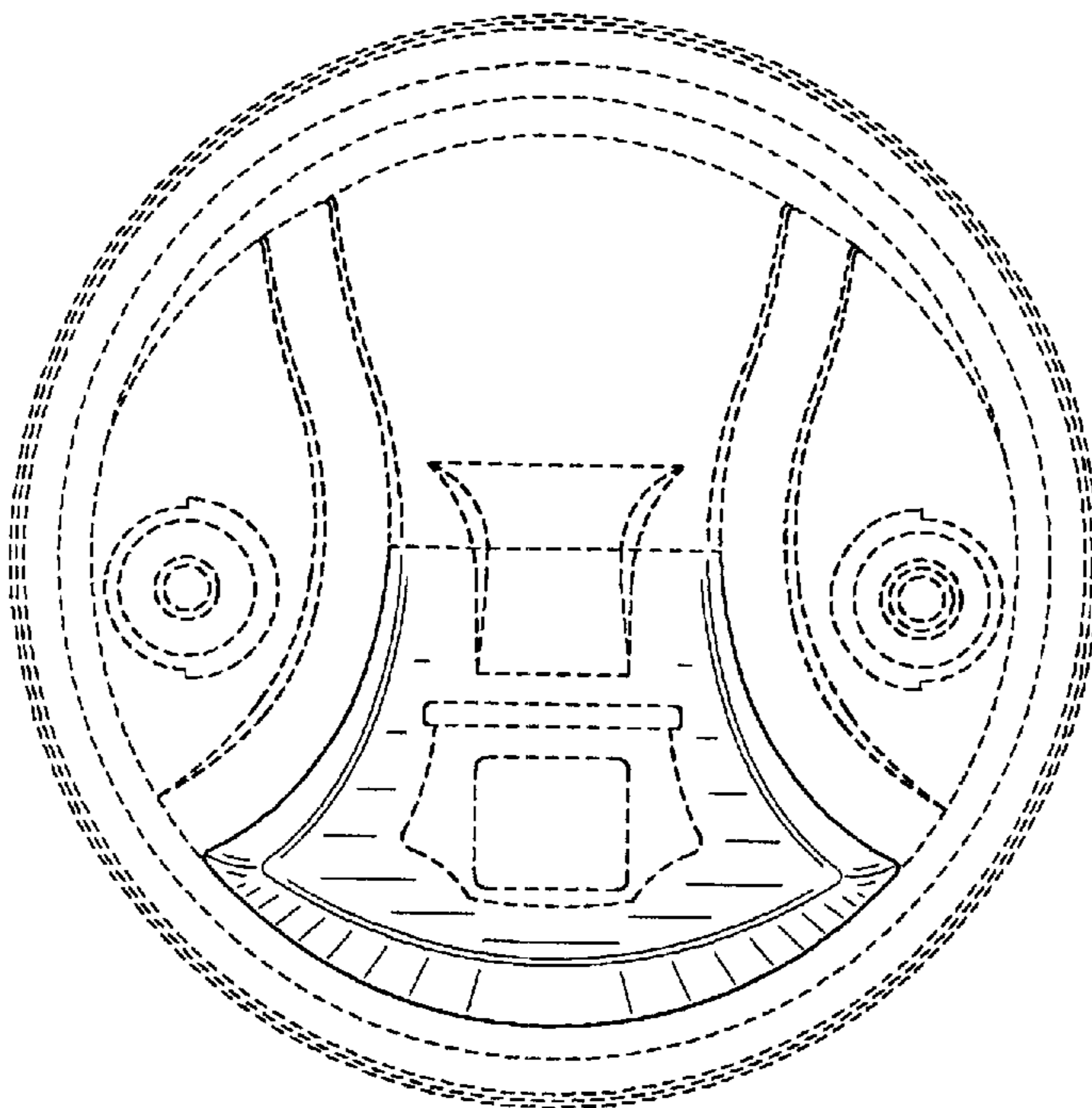


FIG. 4

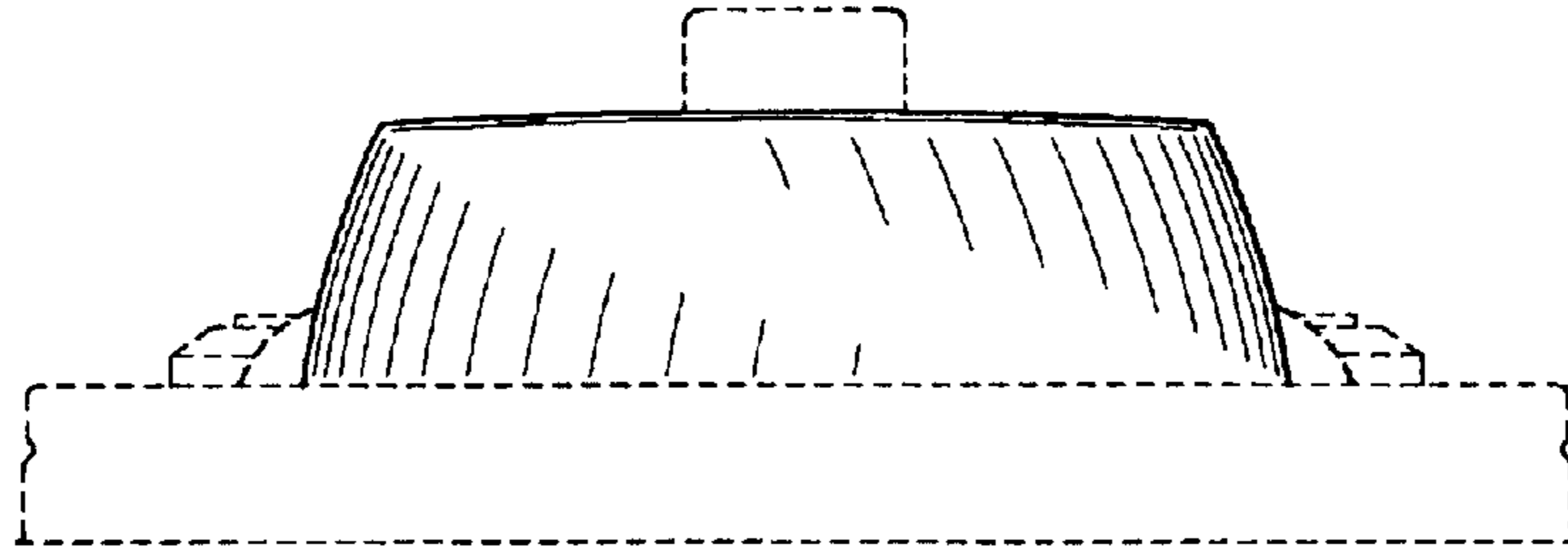


FIG. 5

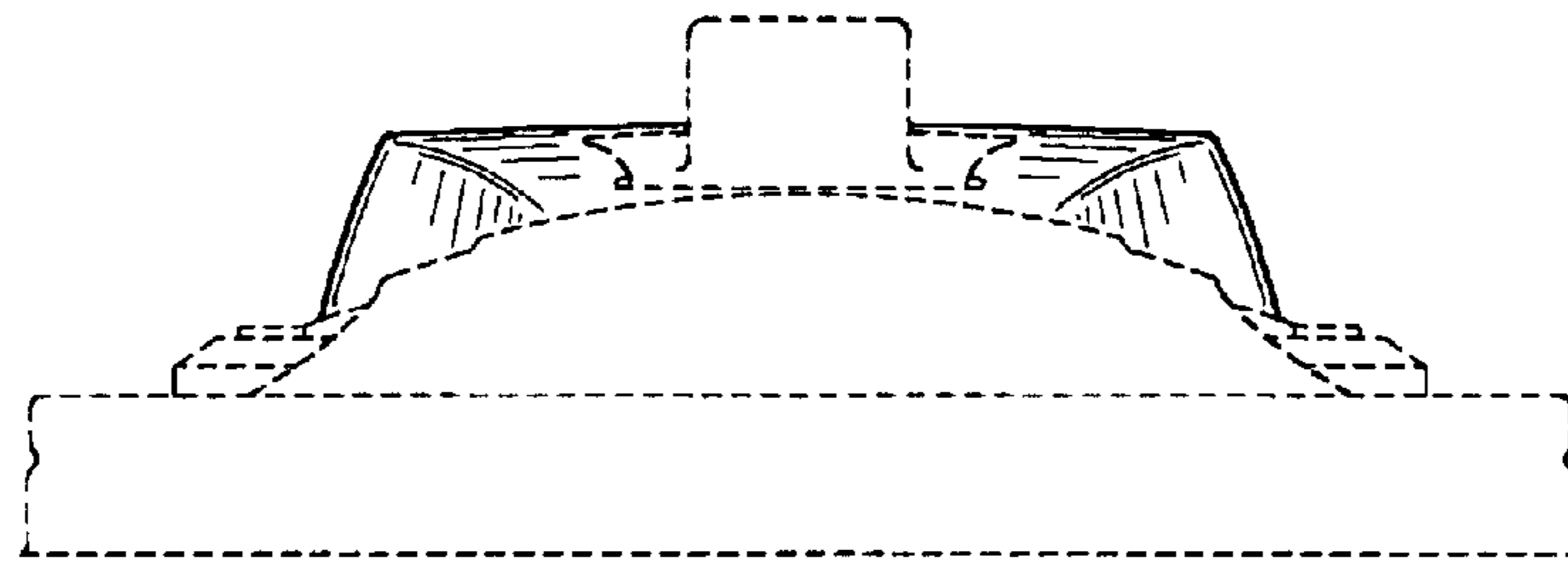


FIG. 6

