

US00D540669S

(12) **United States Design Patent**
George et al.

(10) **Patent No.:** **US D540,669 S**

(45) **Date of Patent:** **** Apr. 17, 2007**

(54) **LID**

(75) Inventors: **Jeffrey W. George**, Cary, IL (US);
James Maki, McHenry, IL (US); **Peter Clarke**, Fairfield, CT (US); **John K. Clay**, Milford, CT (US)

(73) Assignee: **The Quaker Oats Company**, Chicago, IL (US)

(**) Term: **14 Years**

(21) Appl. No.: **29/242,099**

(22) Filed: **Nov. 3, 2005**

(51) **LOC (8) Cl.** **09-07**

(52) **U.S. Cl.** **D9/435; D7/392.1**

(58) **Field of Classification Search** D9/756,
D9/755, 456, 435, 432, 431, 429, 428, 426,
D9/425, 424, 418; D7/629, 601, 554.2, 551.1,
D7/392.1, 391; D34/38; D3/323; 229/406;
220/556; 206/557, 518, 508

See application file for complete search history.

(56) **References Cited**

U.S. PATENT DOCUMENTS

D34,569 S * 5/1901 Tatum D9/424

D246,828 S * 1/1978 White D9/435
D358,328 S * 5/1995 Huerto et al. D9/435
D362,180 S * 9/1995 Haines D9/424
D371,485 S * 7/1996 Hickey D7/392.1
D377,733 S * 2/1997 Ahern et al. D7/392.1
D383,939 S * 9/1997 Jeppesen et al. D7/392.1
D403,583 S * 1/1999 Nask et al. D9/435
D429,640 S * 8/2000 Nielsen et al. D9/435
D445,641 S * 7/2001 Conti D7/392.1
D446,117 S * 8/2001 Conti D9/435
D448,606 S * 10/2001 Conti D7/392.1
D448,969 S * 10/2001 Conti D7/392.1

* cited by examiner

Primary Examiner—Robert M. Spear
Assistant Examiner—Susan Bennett Hattan

(74) *Attorney, Agent, or Firm*—Banner & Witcoff, Ltd.

(57) **CLAIM**

The ornamental design for a lid, as shown.

DESCRIPTION

FIG. 1 is a front perspective view of the new design;
FIG. 2 is a top view thereof;
FIG. 3 is a side view thereof; and
FIG. 4 is a bottom view thereof.

1 Claim, 2 Drawing Sheets

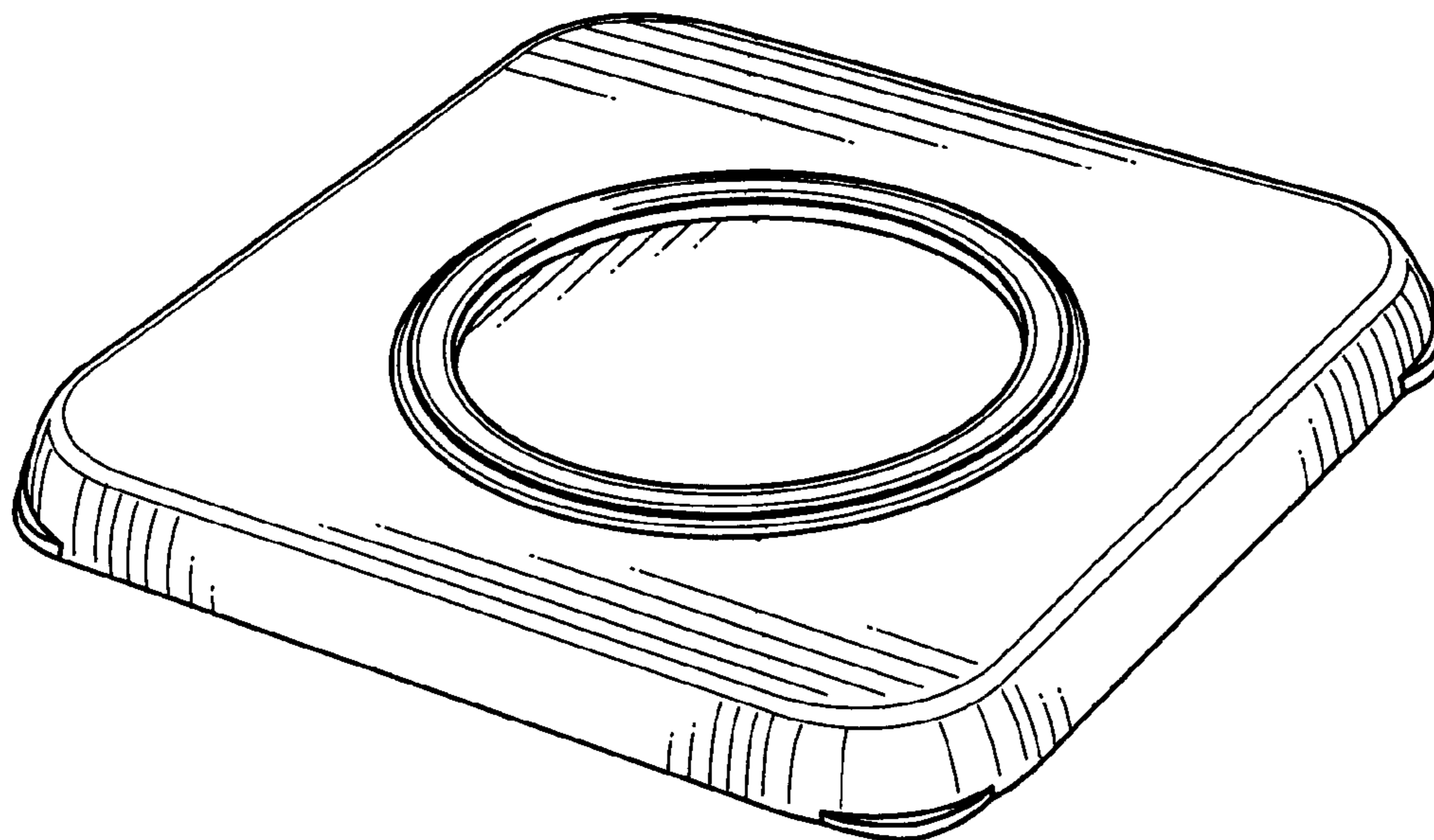


Fig. 1

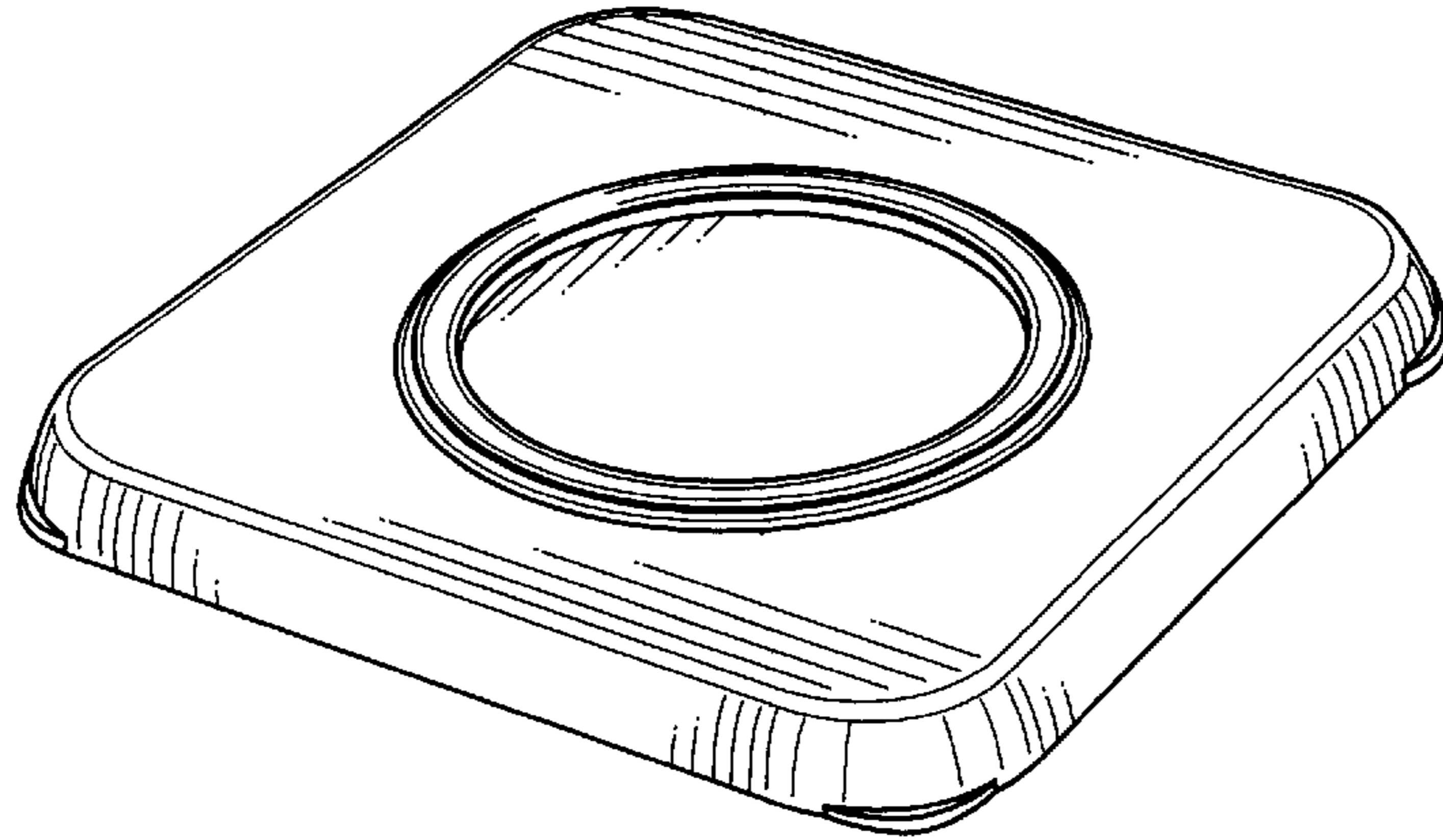


Fig. 2

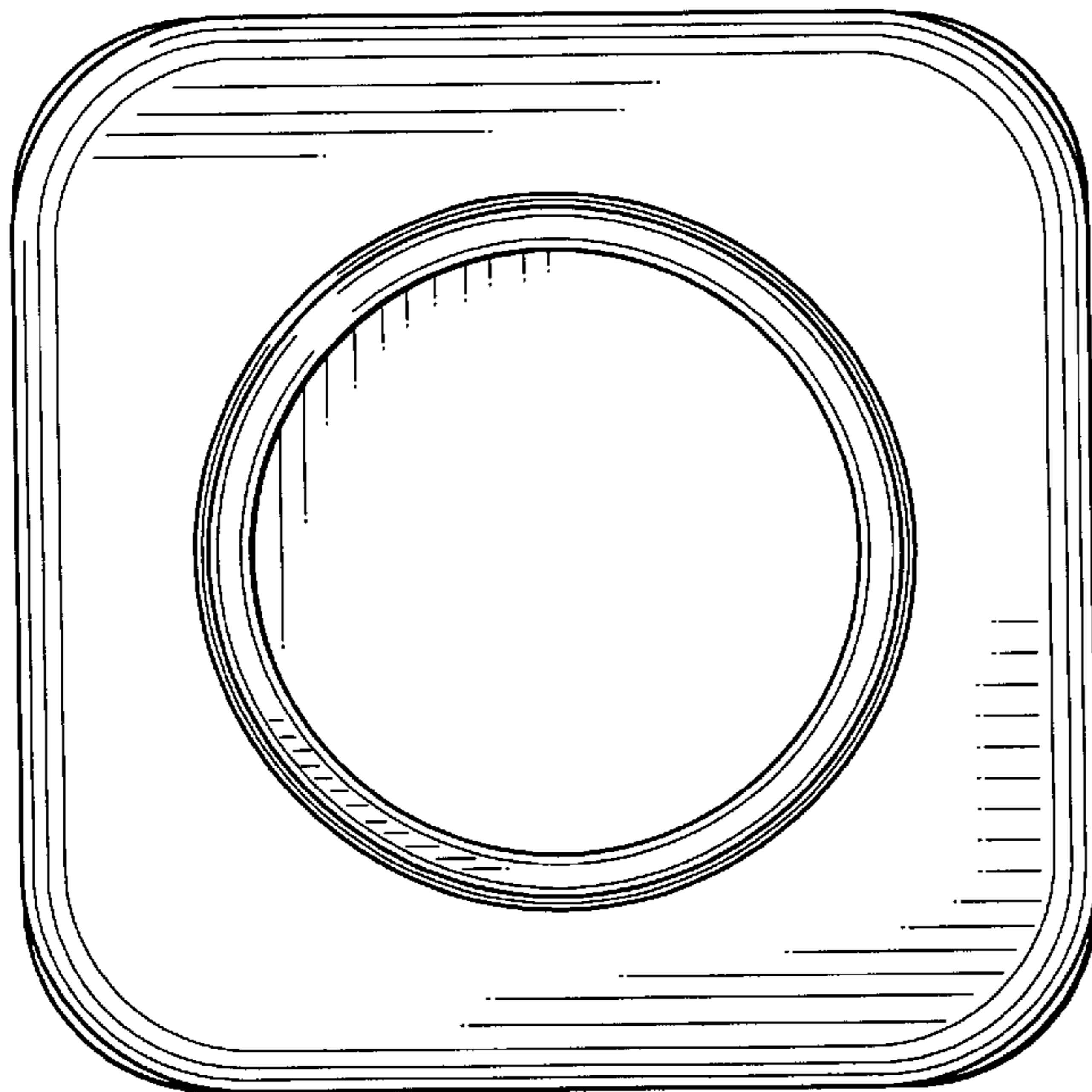


Fig. 3



Fig. 4

