

US00D540667S

(12) **United States Design Patent**
Duranthon

(10) **Patent No.:** **US D540,667 S**

(45) **Date of Patent:** **** Apr. 17, 2007**

(54) **FOODSTUFF PACKAGE**

(75) Inventor: **Agnes Duranthon**, Suresnes (FR)

(73) Assignee: **Mars, Incorporated**, McLean, VA (US)

(**) Term: **14 Years**

(21) Appl. No.: **29/226,502**

(22) Filed: **Mar. 30, 2005**

(30) **Foreign Application Priority Data**

Sep. 30, 2004 (EM) 000235619-0001

(51) **LOC (8) Cl.** **09-03**

(52) **U.S. Cl.** **D9/430**

(58) **Field of Classification Search** D9/430-433,
D9/414, 418, 420, 423, 419; 206/139, 140,
206/822; 229/100, 110, 116.1, 124, 800,
229/107, 120.02, 108, 103.2, 106, 103.3,
229/111-114, 902-906, 229-232, 160.1;
220/501, 507, 509, 62, 62.12, 62.13, DIG. 1,
220/DIG. 2

See application file for complete search history.

(56) **References Cited**

U.S. PATENT DOCUMENTS

3,125,258 A * 3/1964 Watts 222/480
D293,047 S * 12/1987 Highfield D6/335
D306,975 S * 4/1990 Brondyke et al. D9/431

D417,617 S * 12/1999 Jensen et al. D9/433
D454,065 S * 3/2002 Bryan et al. D9/430
D454,305 S * 3/2002 Bryan et al. D9/433
D454,495 S * 3/2002 Bryan et al. D9/433
D456,253 S * 4/2002 Bryan et al. D9/431
D461,404 S * 8/2002 Steiger D9/430
D502,364 S * 3/2005 Chan D7/511

* cited by examiner

Primary Examiner—Mitchell Siegel

Assistant Examiner—Mark Goodwin

(74) *Attorney, Agent, or Firm*—Fitzpatrick, Cella, Harper & Scinto

(57) **CLAIM**

The ornamental design for a foodstuff package, substantially as shown and described.

DESCRIPTION

FIG. 1 is a perspective view of the top, front, and left side of the foodstuff package, showing my new design; FIG. 2 is a side elevational view of the left side thereof; FIG. 3 is a side elevational view of the right side thereof; FIG. 4 is a front elevational view of the foodstuff package, the rear being a mirror image thereof; FIG. 5 is a top plan view thereof; and, FIG. 6 is a bottom plan view thereof.

The claimed foodstuff package does not exclude the placement of indicia on a surface thereof.

1 Claim, 2 Drawing Sheets

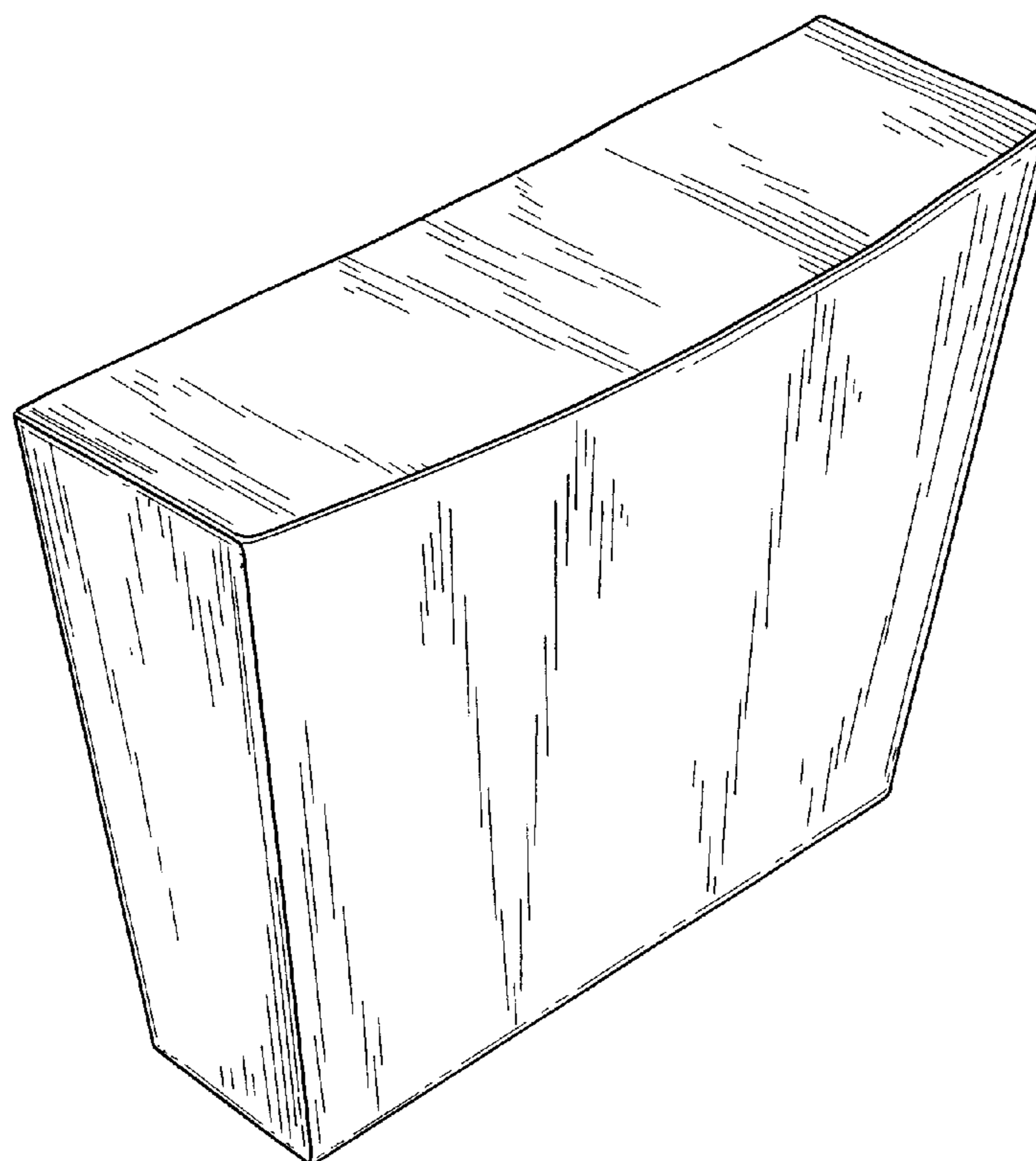


FIG. 1

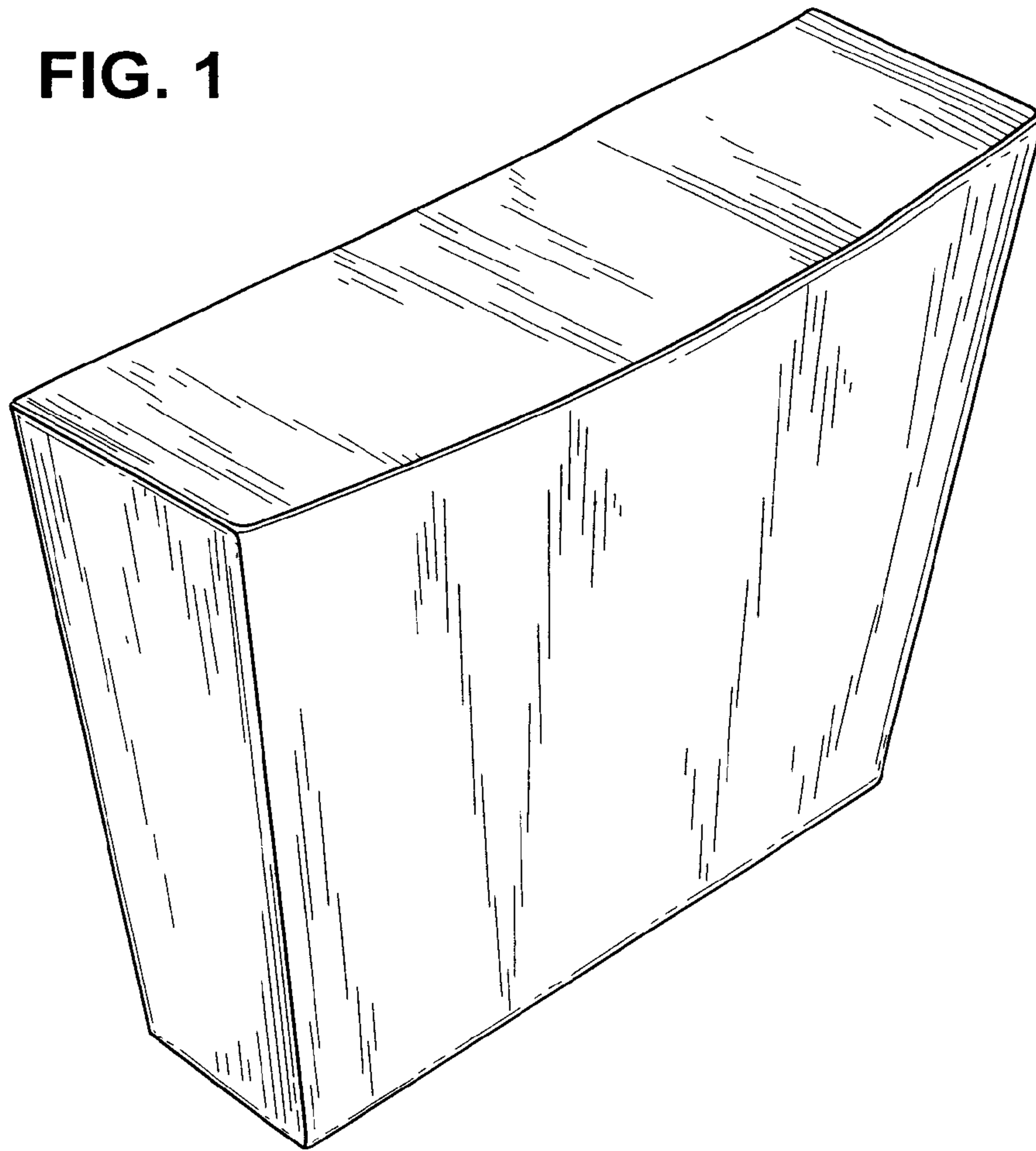


FIG. 2

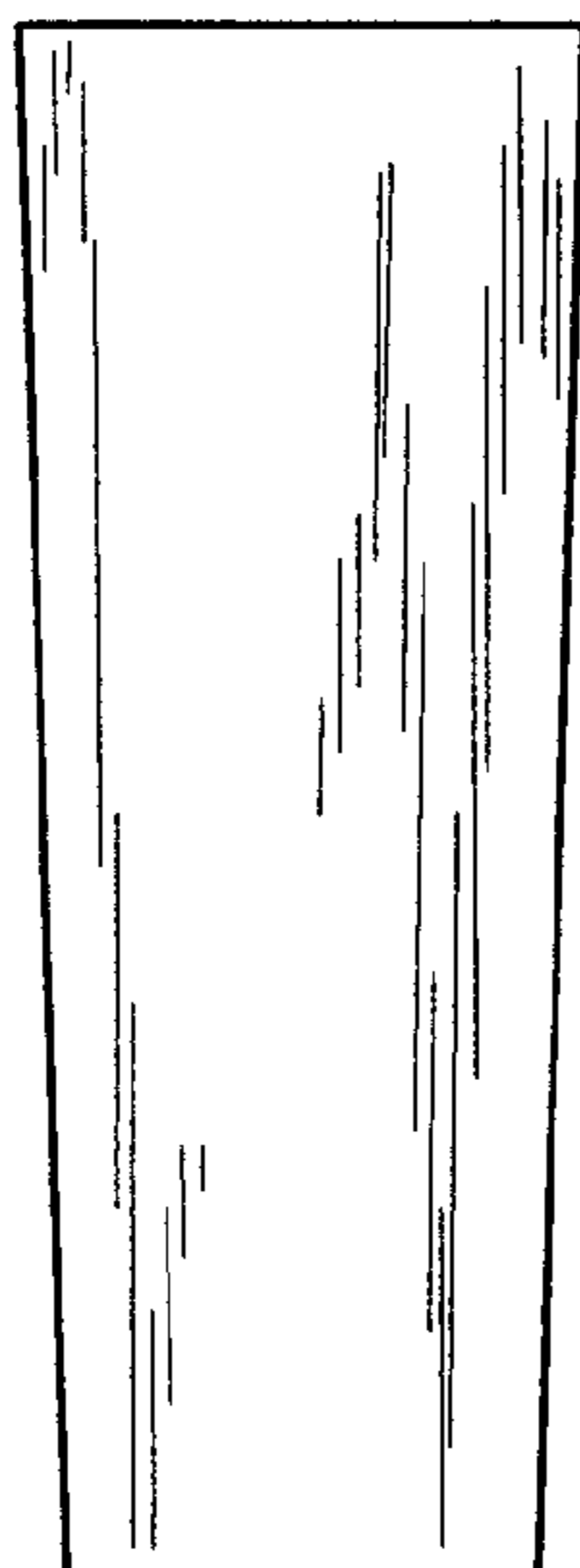


FIG. 3

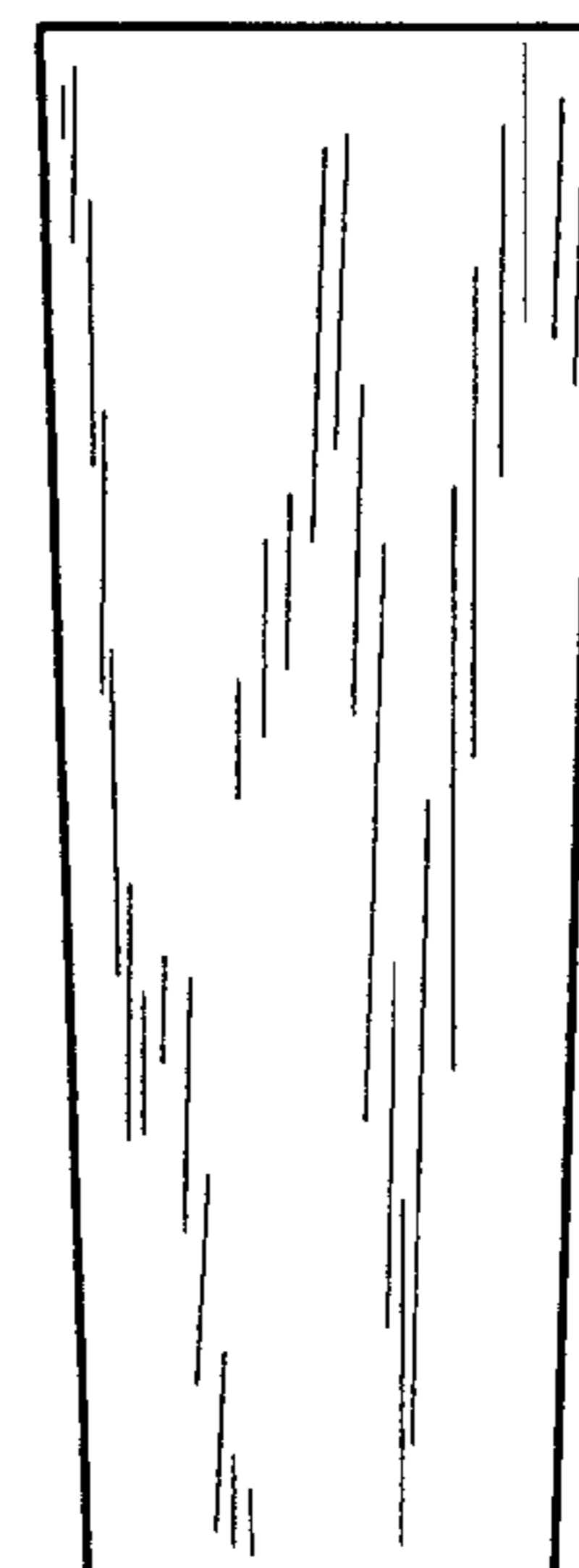


FIG. 4

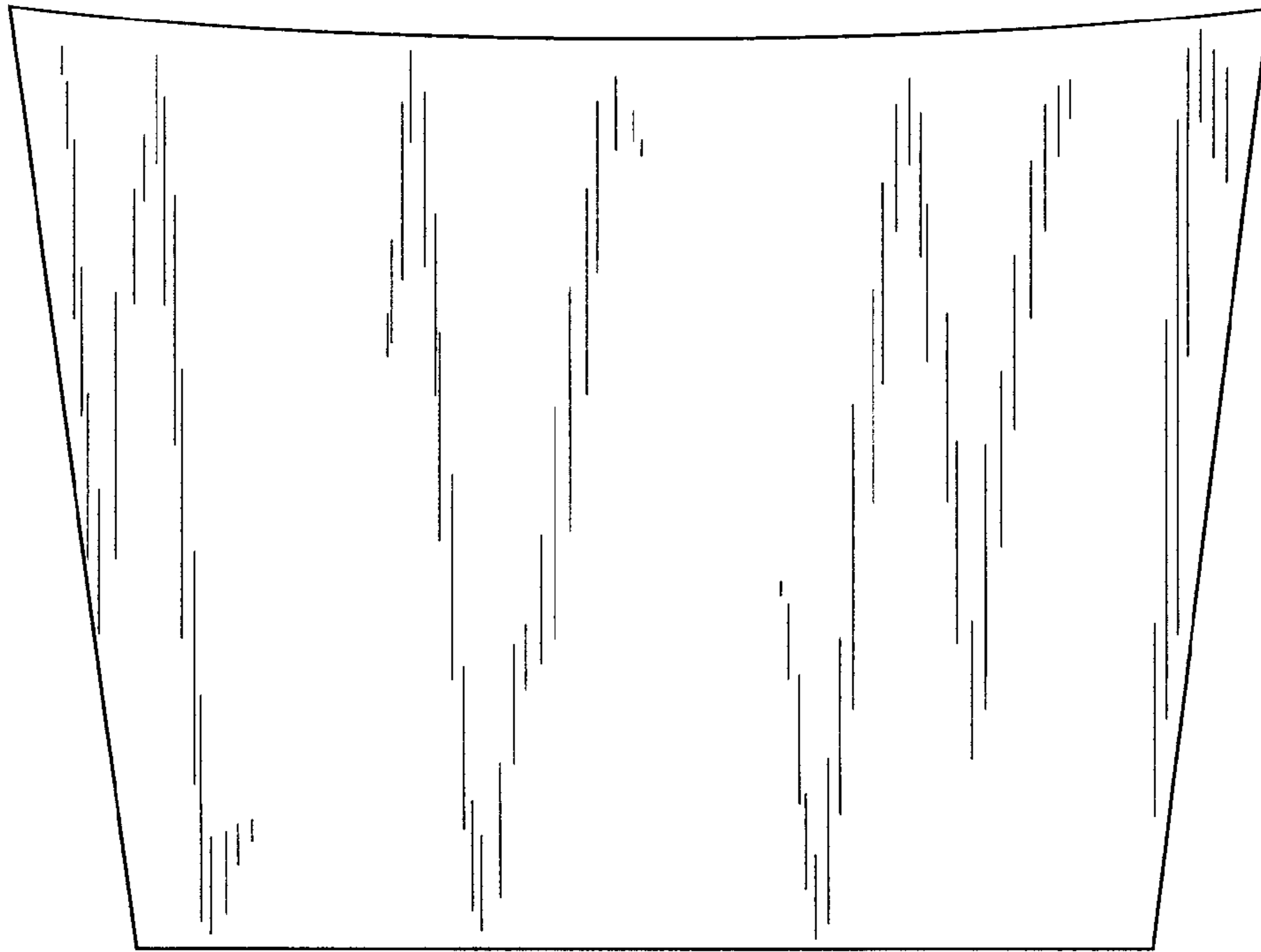


FIG. 5

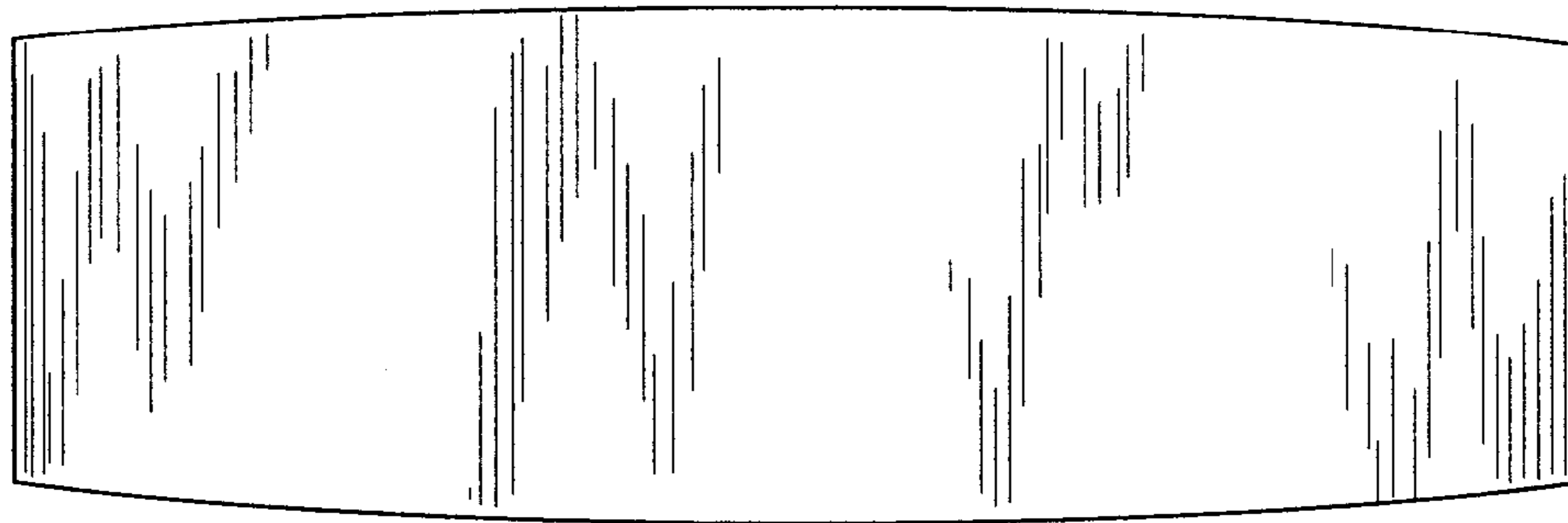


FIG. 6

