

US00D540664S

(12) **United States Design Patent**
Richardson et al.

(10) **Patent No.:** **US D540,664 S**

(45) **Date of Patent:** **** Apr. 17, 2007**

(54) **PRE-PACKAGED PILL DISPENSER**

D496,270 S * 9/2004 Baxter D9/418

(75) Inventors: **Marvin R. Richardson**, Wayzata, MN
(US); **John Brady**, Prior Lake, MN
(US)

* cited by examiner

Primary Examiner—Stella Reid
Assistant Examiner—Thomas Johannes

(73) Assignee: **PrairieStone Pharmacy, LLC**,
Plymouth, MN (US)

(74) *Attorney, Agent, or Firm*—Fredrikson & Byron, PA

(**) **Term:** **14 Years**

(57) **CLAIM**

We claim the ornamental design for a pre-packaged pill dispenser, as shown and described.

(21) Appl. No.: **29/253,655**

DESCRIPTION

(22) Filed: **Feb. 9, 2006**

(51) **LOC (8) Cl.** **09-03**

FIG. 1 is an isometric view of a pre-packaged pill dispenser showing our new design.

(52) **U.S. Cl.** **D9/418**

FIG. 2 is an isometric view thereof with broken lines showing the environmental structure being for illustrative purposes only and forming no part of the claimed design.

(58) **Field of Classification Search** D9/414–418,
D9/432, 702–705, 457, 499, 901
See application file for complete search history.

FIG. 3 is a top view thereof.

FIG. 4 is a top view thereof with broken lines showing the environmental structure being for illustrative purposes only and forming no part of the claimed design.

(56) **References Cited**

U.S. PATENT DOCUMENTS

2,890,791	A	*	6/1959	Wenzel	206/494
3,127,054	A	*	3/1964	Myers	221/25
D262,945	S	*	2/1982	Lytra	D9/415
D283,796	S	*	5/1986	Schuster	D9/418
D400,095	S	*	10/1998	Uebele	D9/734
6,267,263	B1	*	7/2001	Emoff et al.	221/45

FIG. 5 is a bottom view thereof;

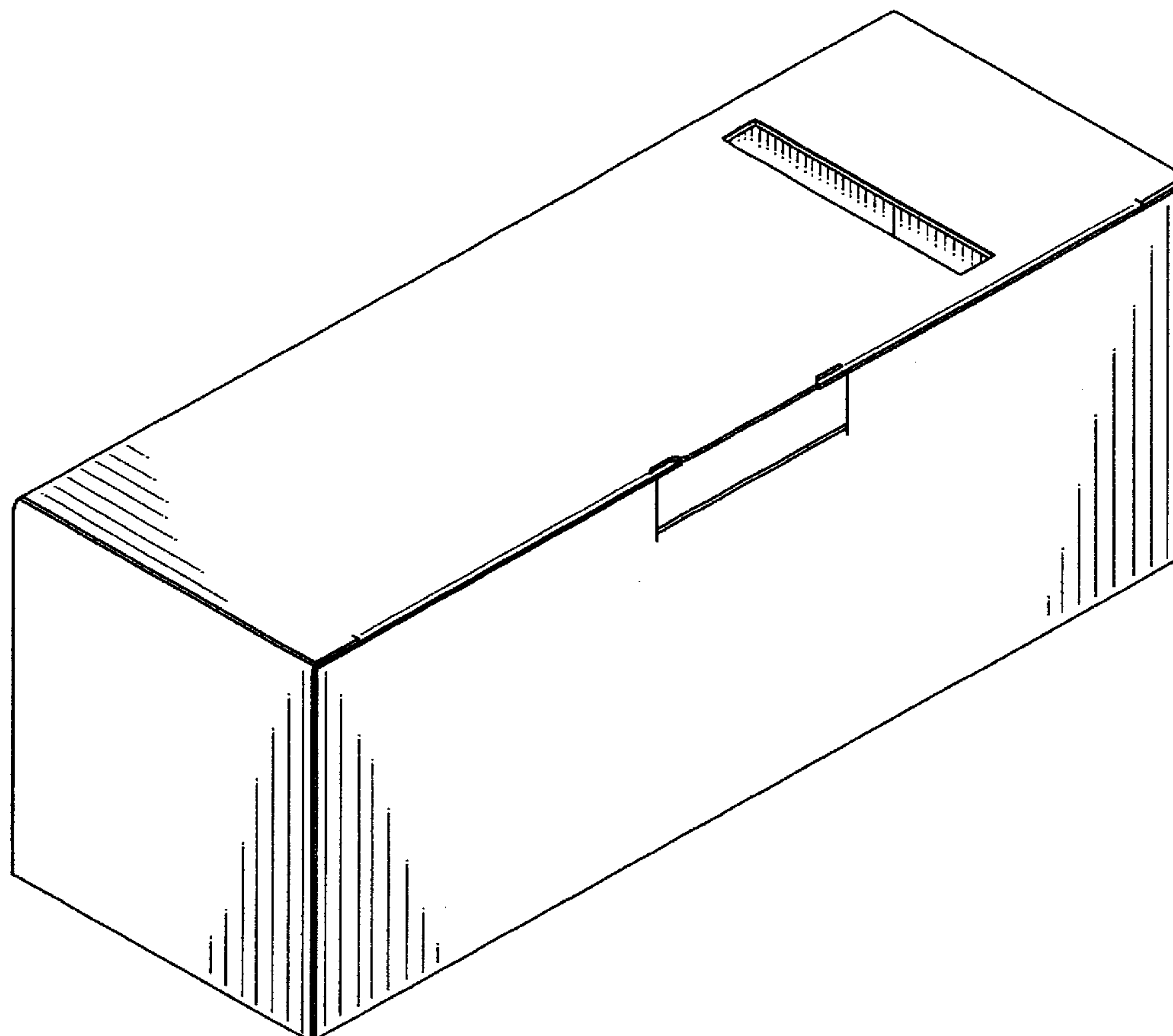
FIG. 6 is a side view thereof;

FIG. 7 is a front view thereof; and,

FIG. 8 is a rear view thereof.

The broken lines shown on FIG. 5 represent fold lines.

1 Claim, 4 Drawing Sheets



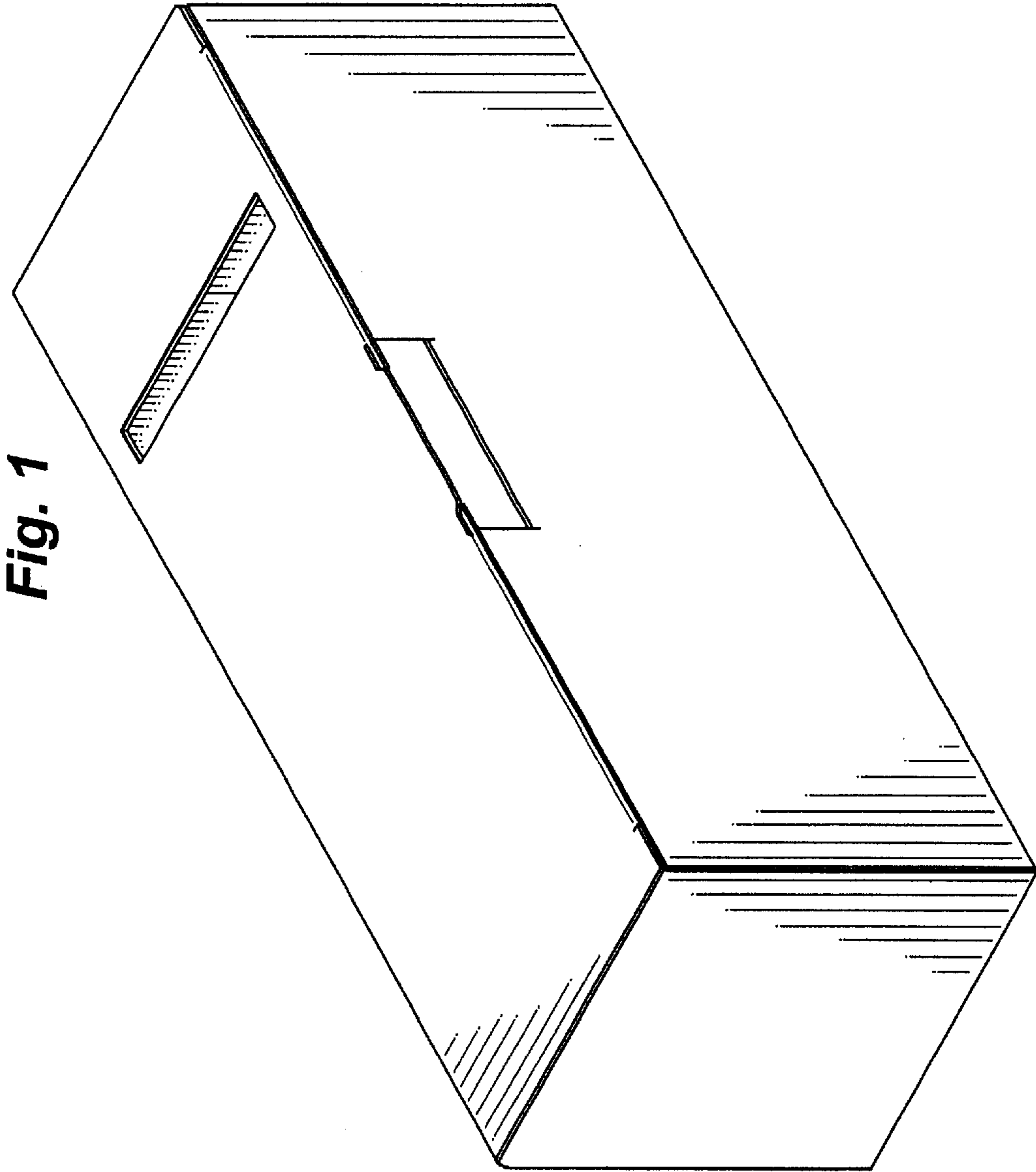


Fig. 1

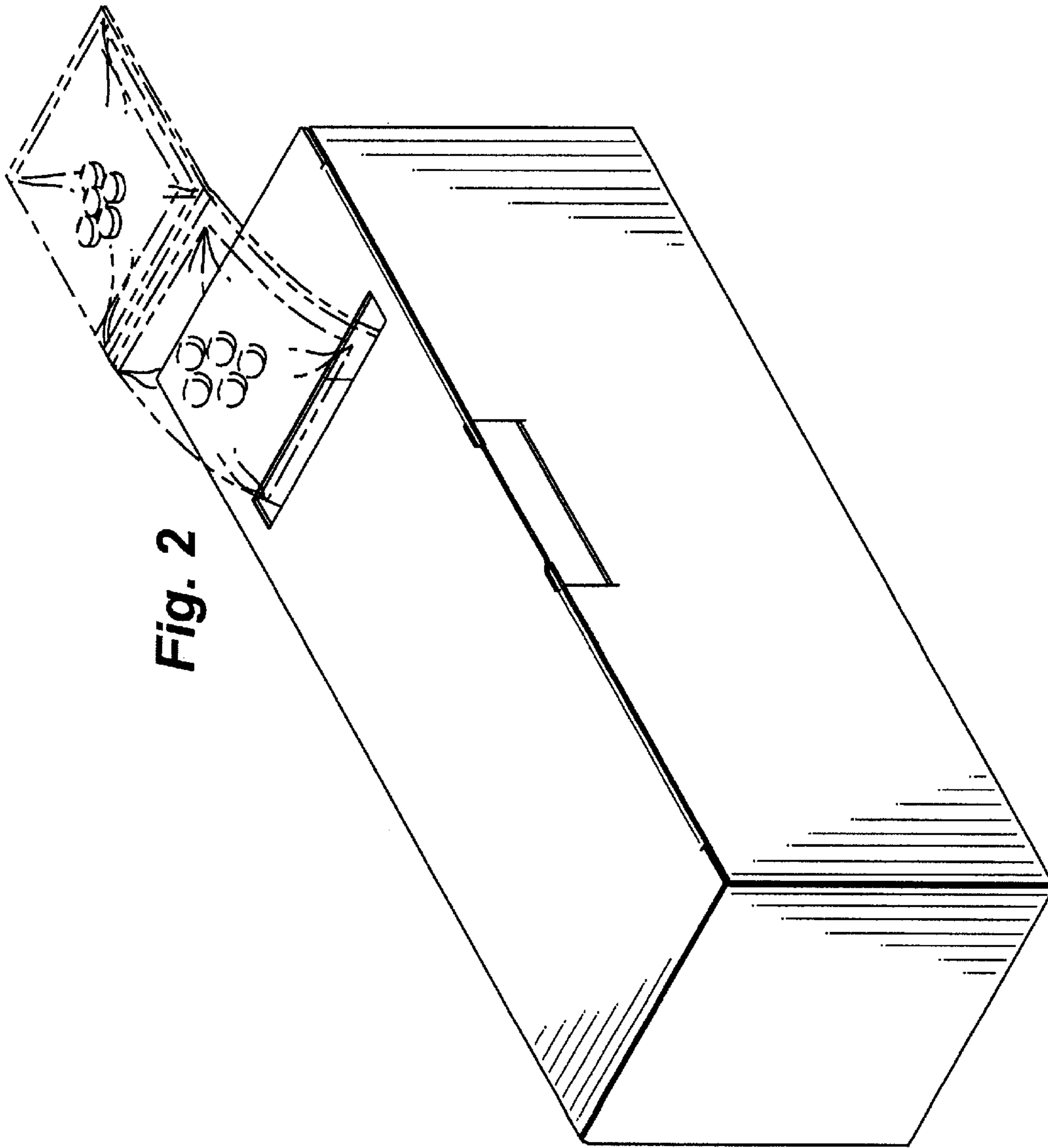


Fig. 3

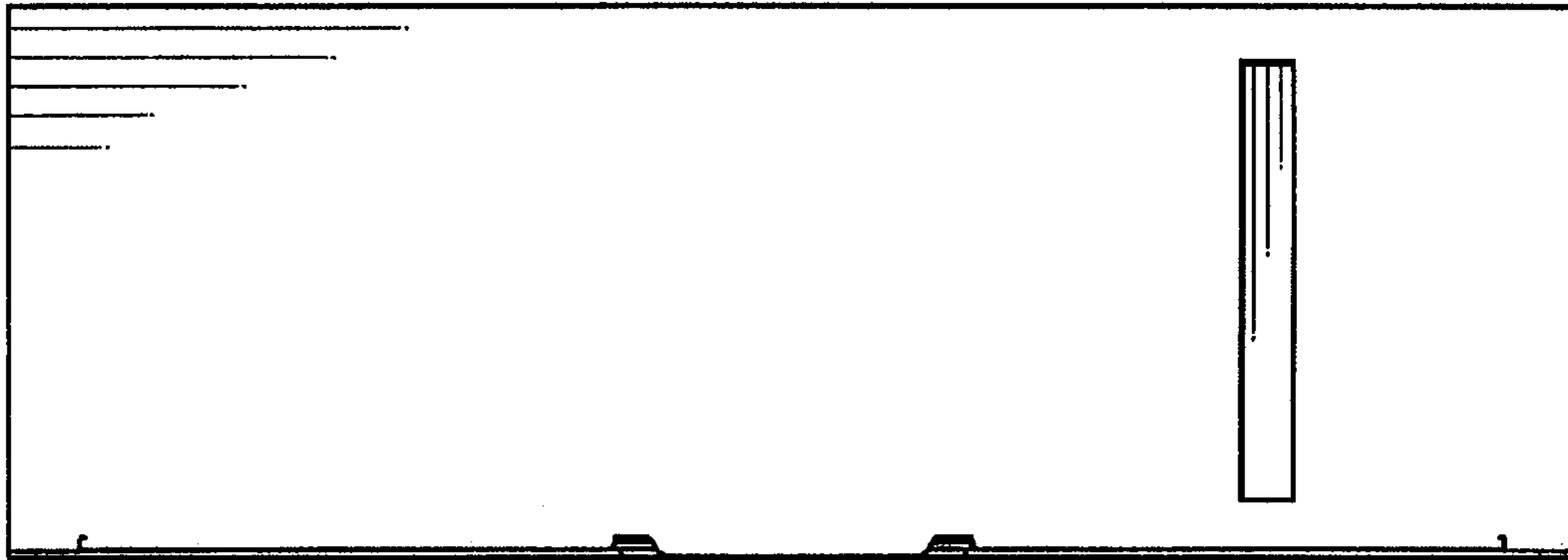


Fig. 4

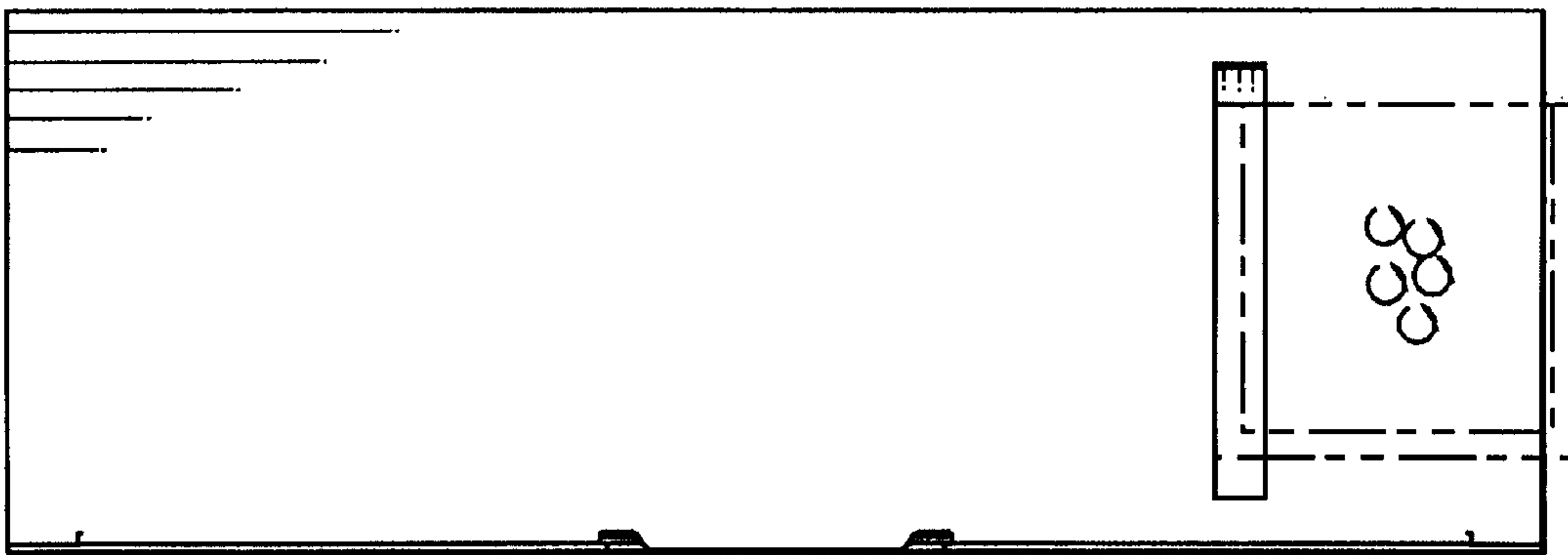


Fig. 5

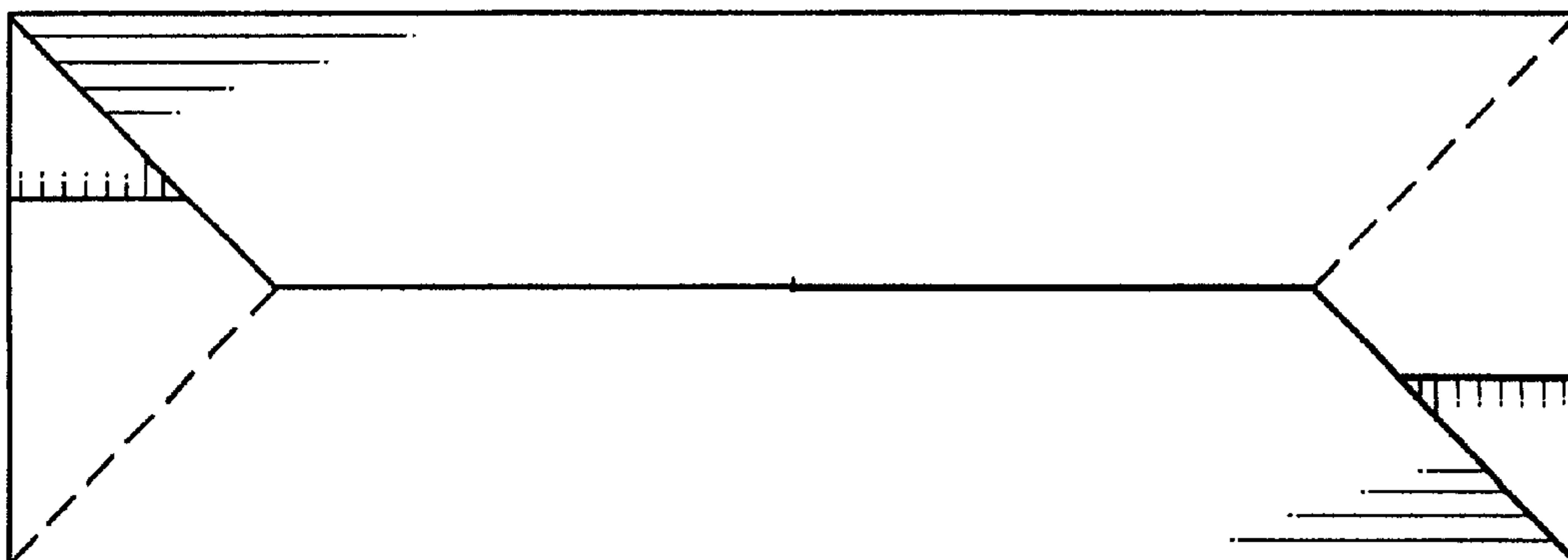


Fig. 6

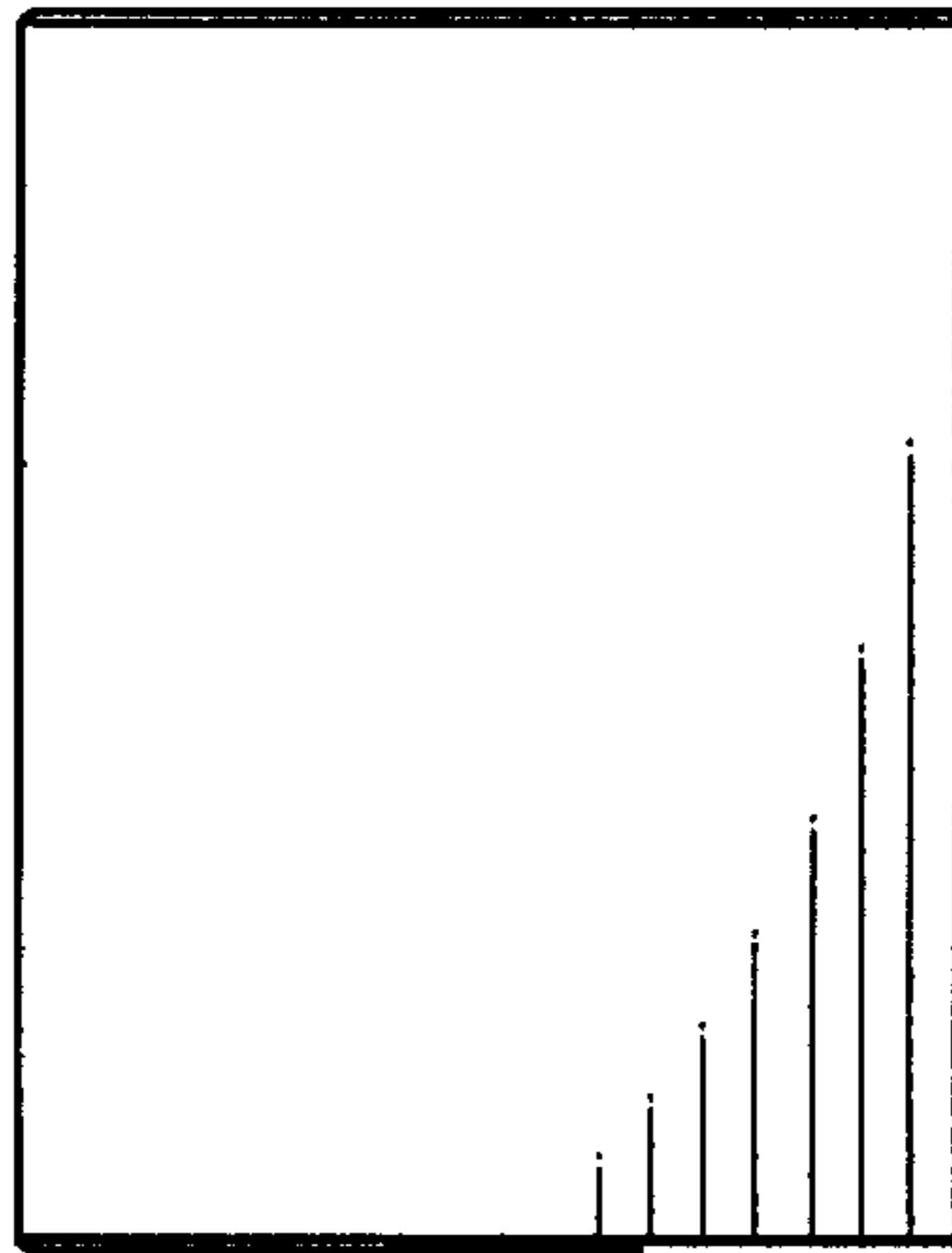


Fig. 7

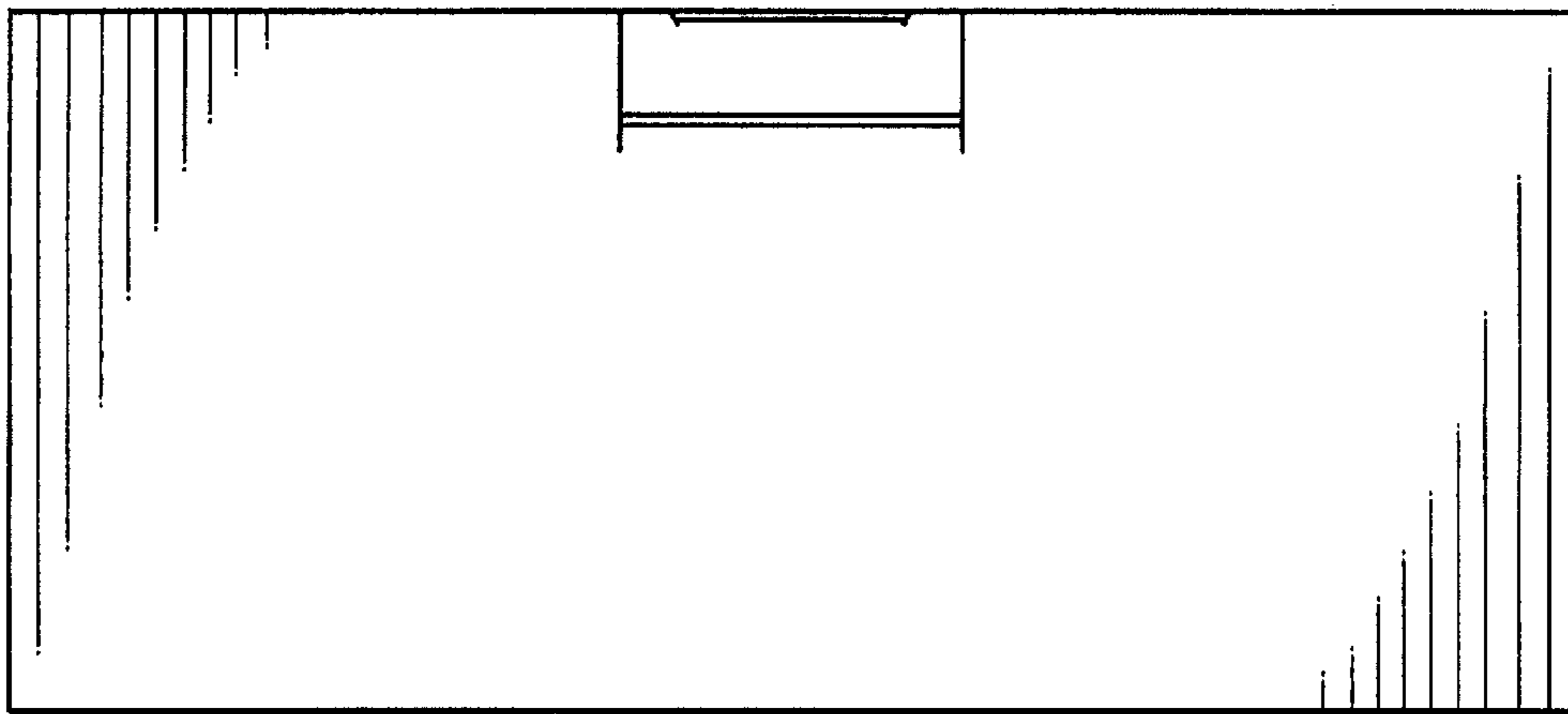


Fig. 8

