



US00D540662S

(12) **United States Design Patent**
Pontaoe

(10) **Patent No.:** **US D540,662 S**

(45) **Date of Patent:** **** Apr. 17, 2007**

(54) **CORD LOCK**

(75) Inventor: **John S. Pontaoe**, Chicago, IL (US)

(73) Assignee: **Illinois Tool Works Inc.**, Glenview, IL (US)

(**) Term: **14 Years**

(21) Appl. No.: **29/222,460**

(22) Filed: **Jan. 31, 2005**

(51) **LOC (8) Cl.** **08-08**

(52) **U.S. Cl.** **D8/383**

(58) **Field of Classification Search** D8/382,
D8/383; 24/115 R, 115 H, 115 M, 115 G,
24/115 K, 129 R

See application file for complete search history.

(56) **References Cited**

U.S. PATENT DOCUMENTS

4,453,292	A	*	6/1984	Bakker	24/115	G
D343,570	S	*	1/1994	Meier	D8/383	
D373,076	S	*	8/1996	Ikeda	D8/383	
D402,190	S	*	12/1998	Anscher	D8/383	
D429,625	S	*	8/2000	Sikkila et al.	D8/354	
D481,301	S	*	10/2003	Nezu	D8/383	
D485,488	S	*	1/2004	Tsukuda	D8/383	
D494,043	S	*	8/2004	Neil	D8/356	

* cited by examiner

Primary Examiner—Louis S. Zarfes

Assistant Examiner—John Windmuller

(74) *Attorney, Agent, or Firm*—Mark W. Croll; Paul F. Donovan

(57) **CLAIM**

The ornamental design for a cord lock, as shown and described herein.

DESCRIPTION

FIG. 1 is a perspective view of a cord lock showing my new design;

FIG. 2 is a front elevational view thereof;

FIG. 3 is a right side elevational view thereof;

FIG. 4 is left side elevational view thereof;

FIG. 5 is a top plan view thereof; and

FIG. 6 is a bottom plan view thereof;

FIG. 7 is a perspective view of another slightly different embodiment of a cord lock showing my new design;

FIG. 8 is a front elevational view thereof;

FIG. 9 is a side elevational view thereof, the opposite side being the same as this side;

FIG. 10 is a top plan view thereof; and,

FIG. 11 is a bottom plan view thereof.

The broken line portions of the disclosure are for illustrative purposes only and form no part of the claimed design.

1 Claim, 6 Drawing Sheets

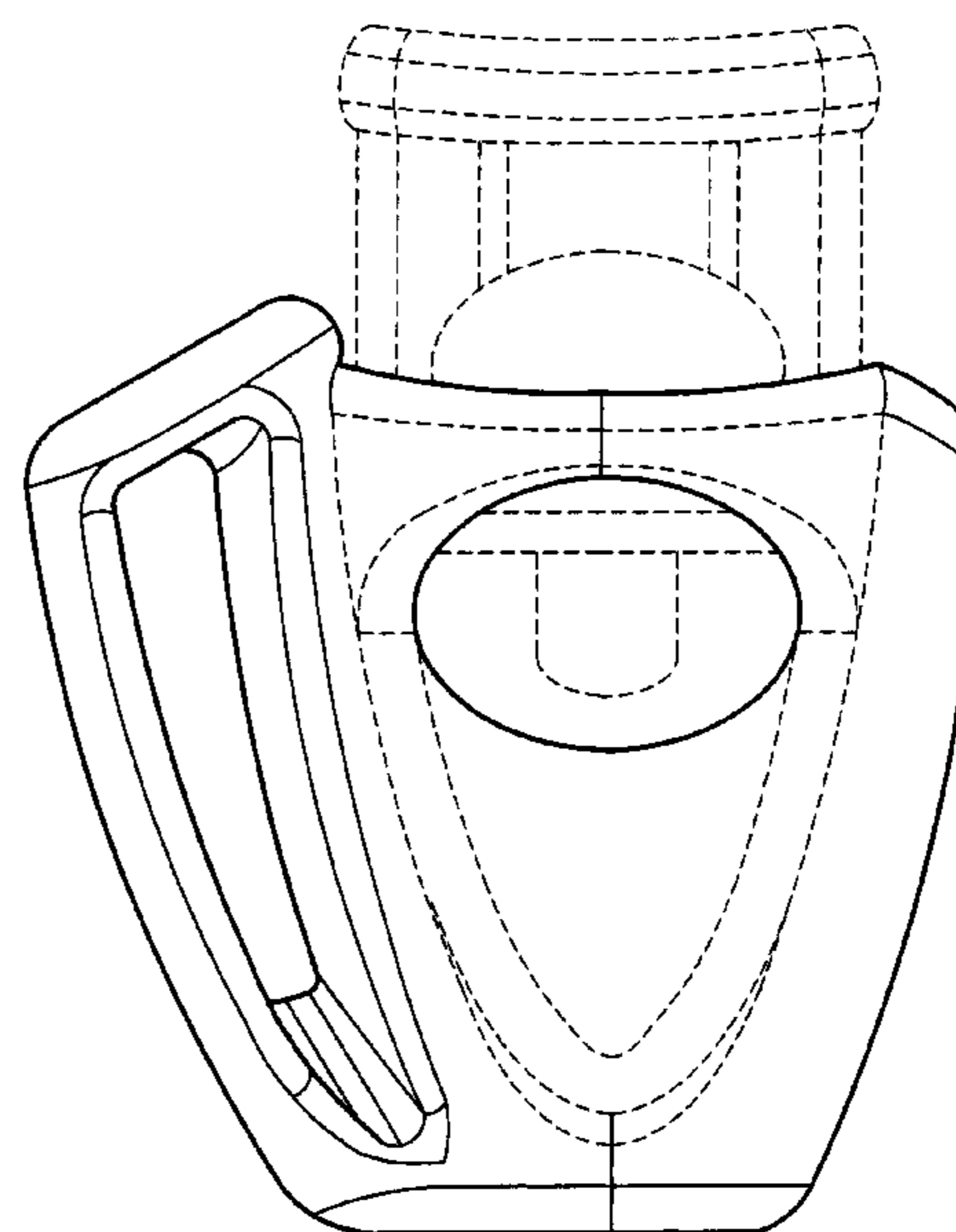
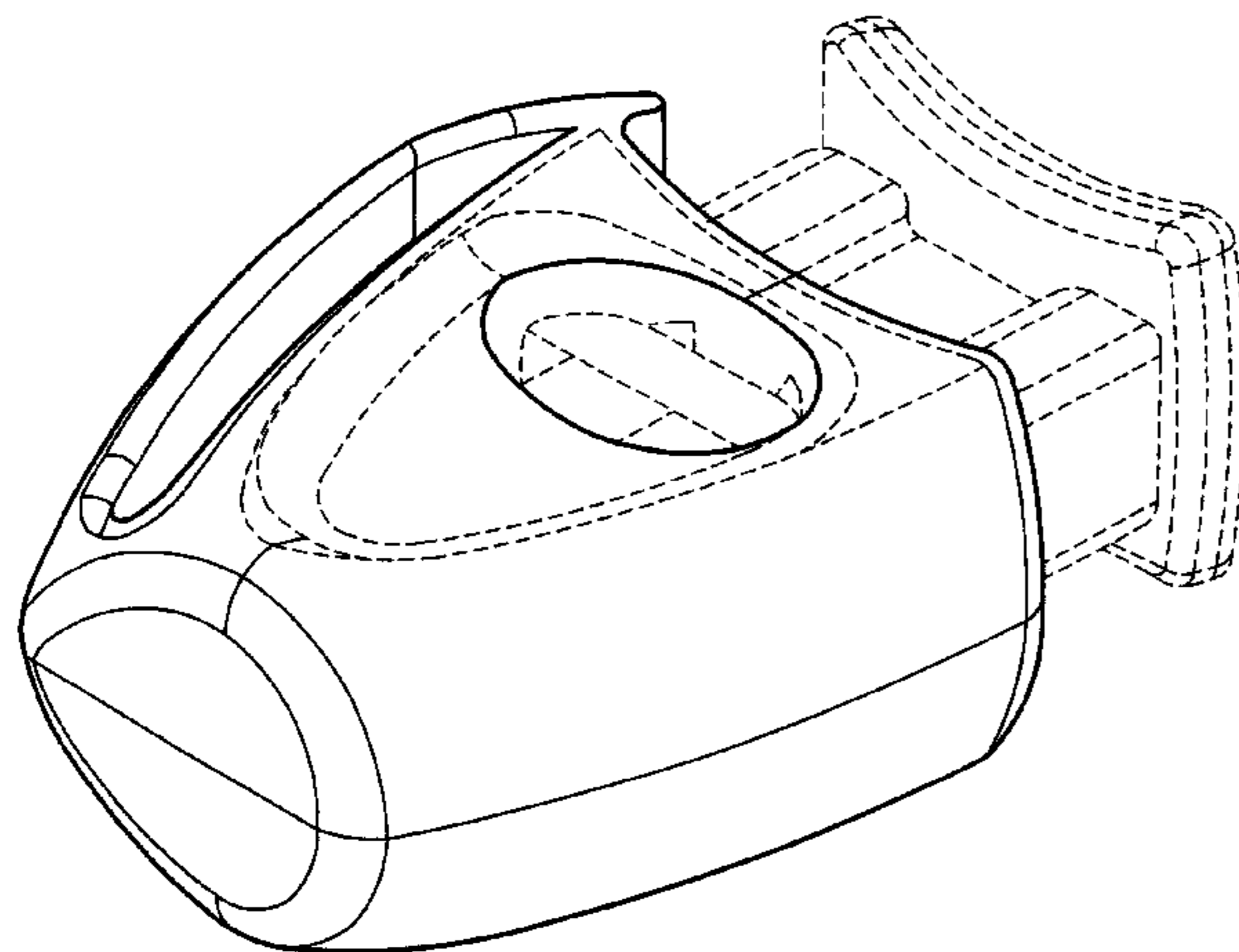


FIG. 1

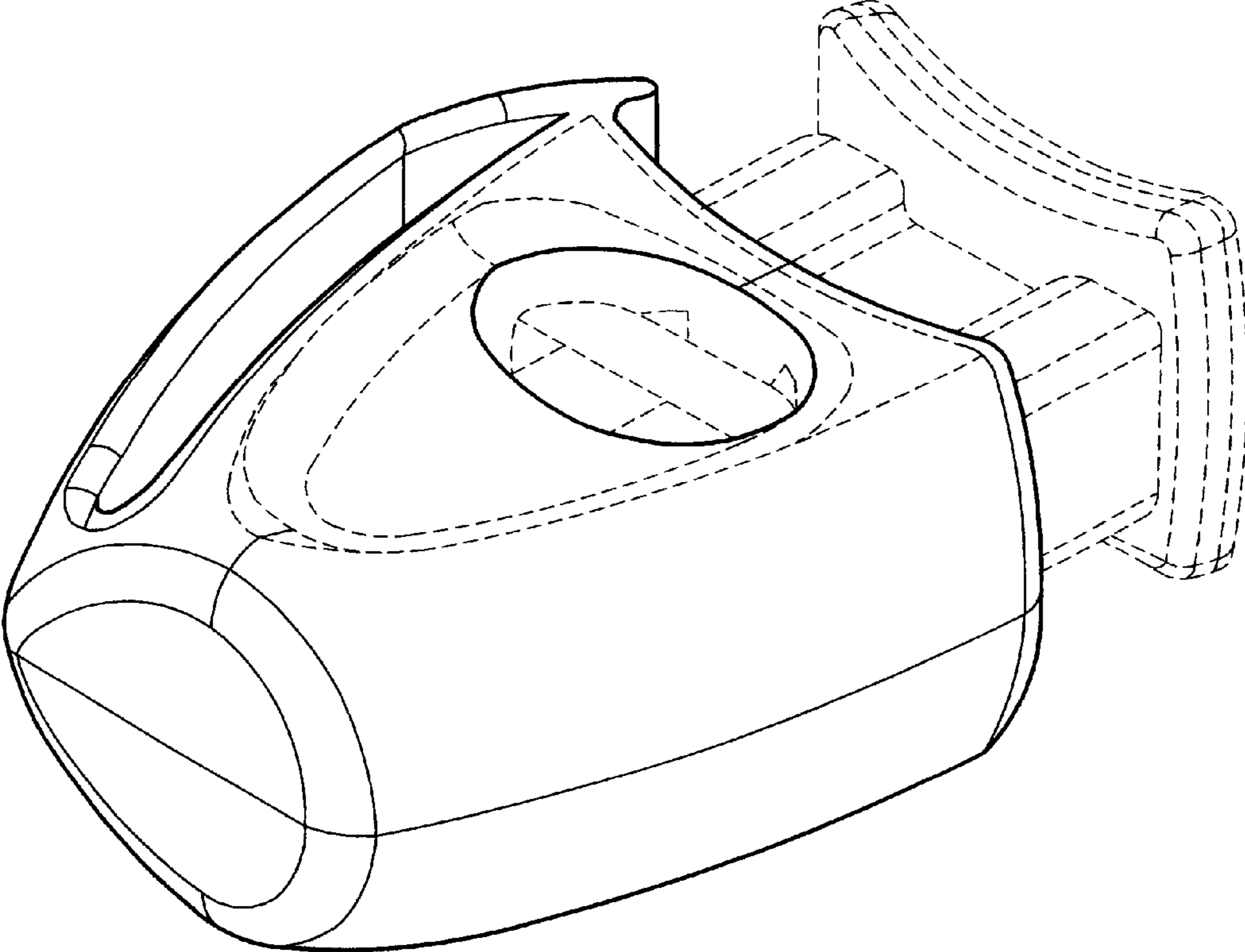


FIG. 3

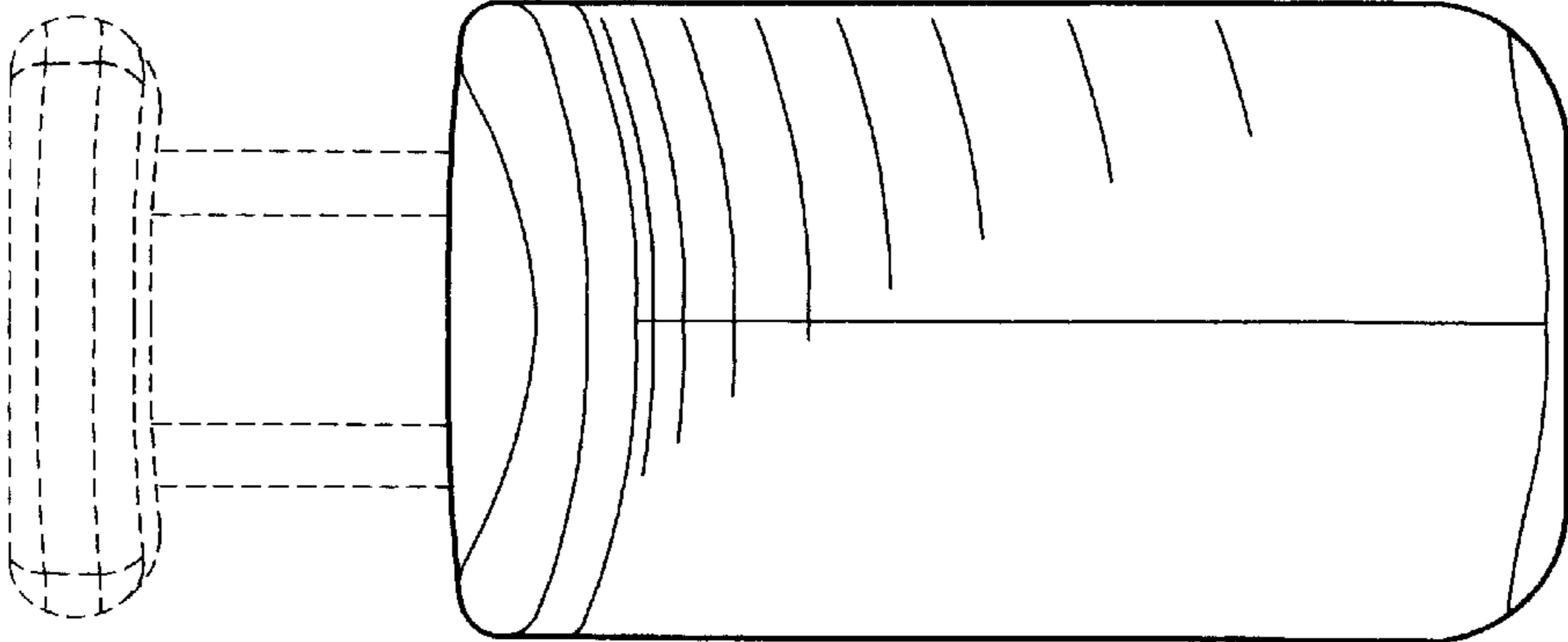


FIG. 2

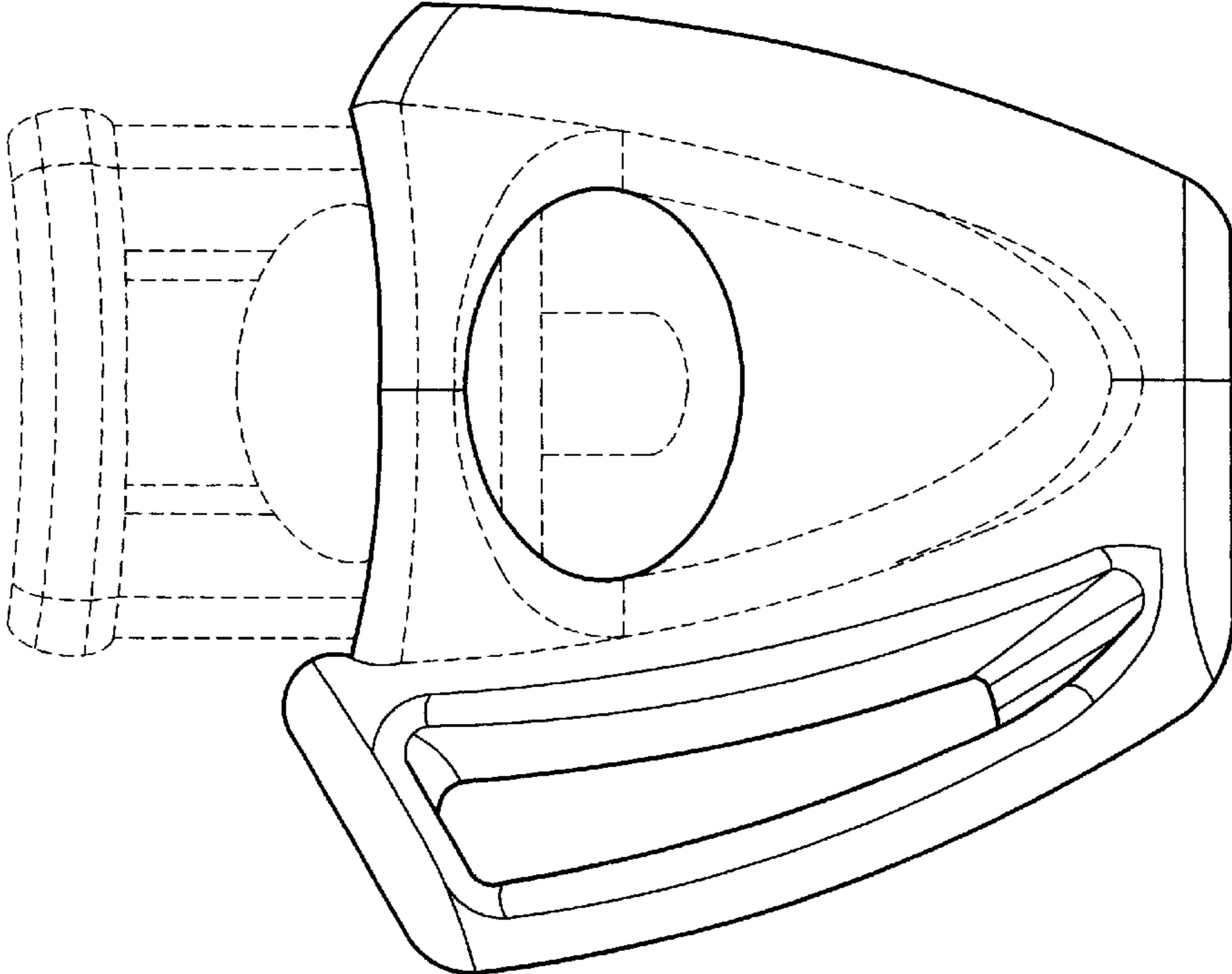


FIG. 4

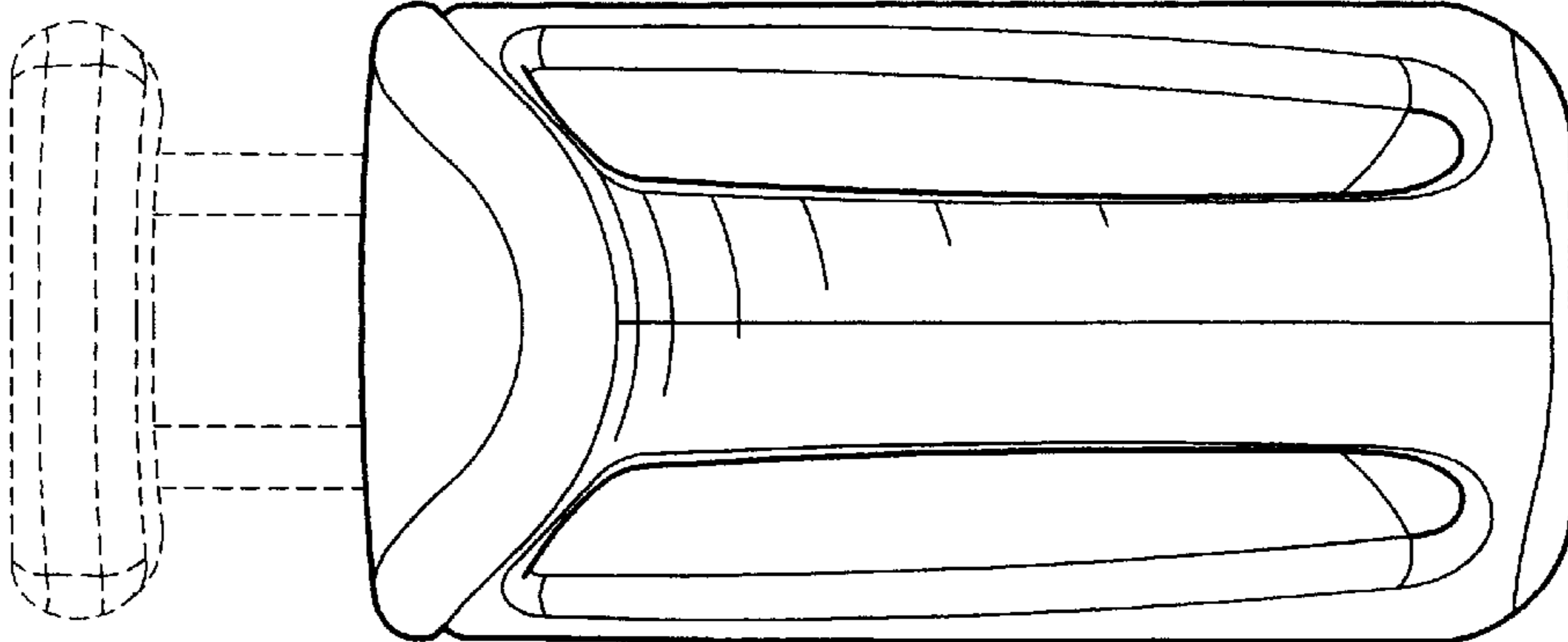


FIG. 5

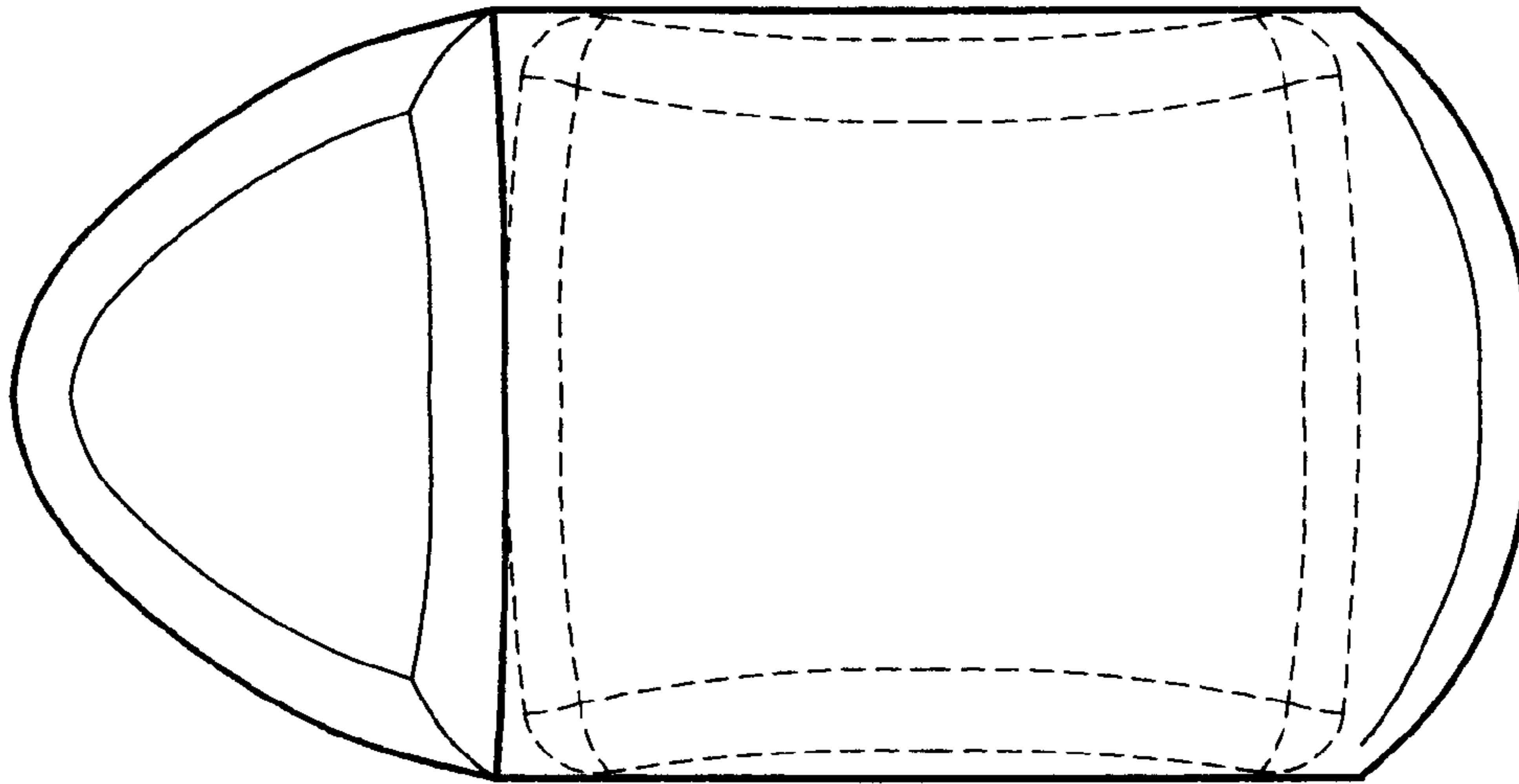


FIG. 6

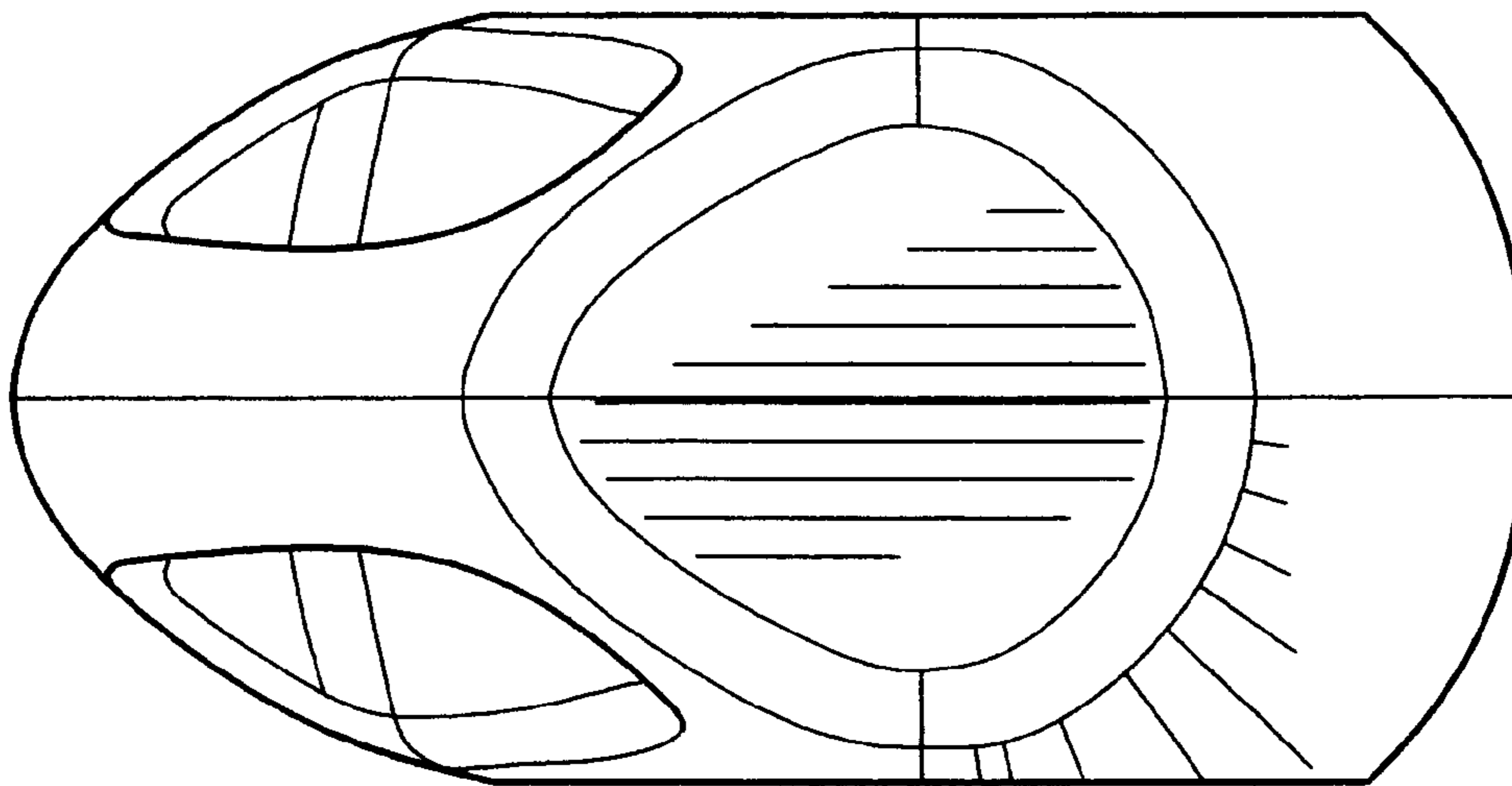


FIG. 7

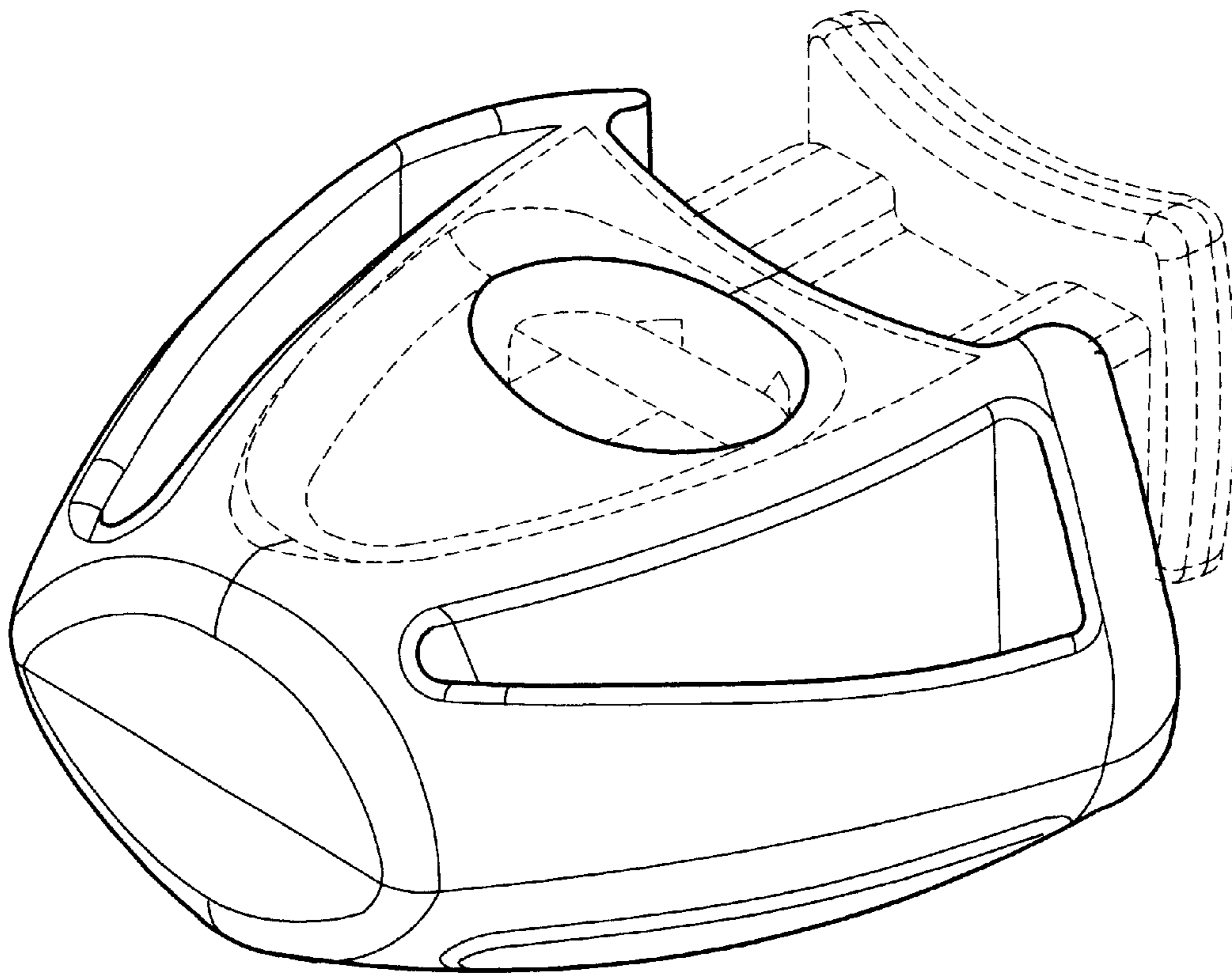


FIG. 8

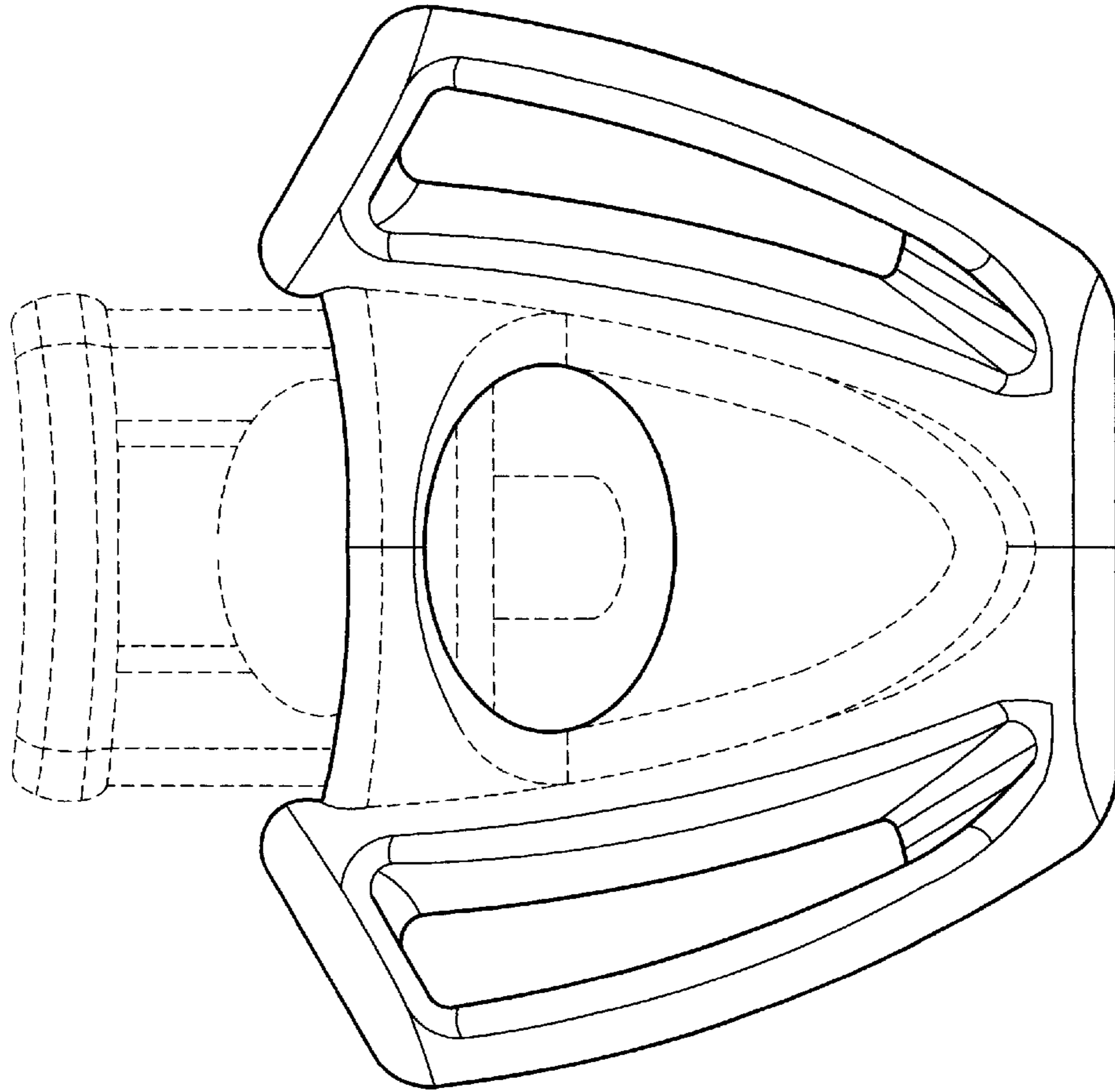


FIG. 9

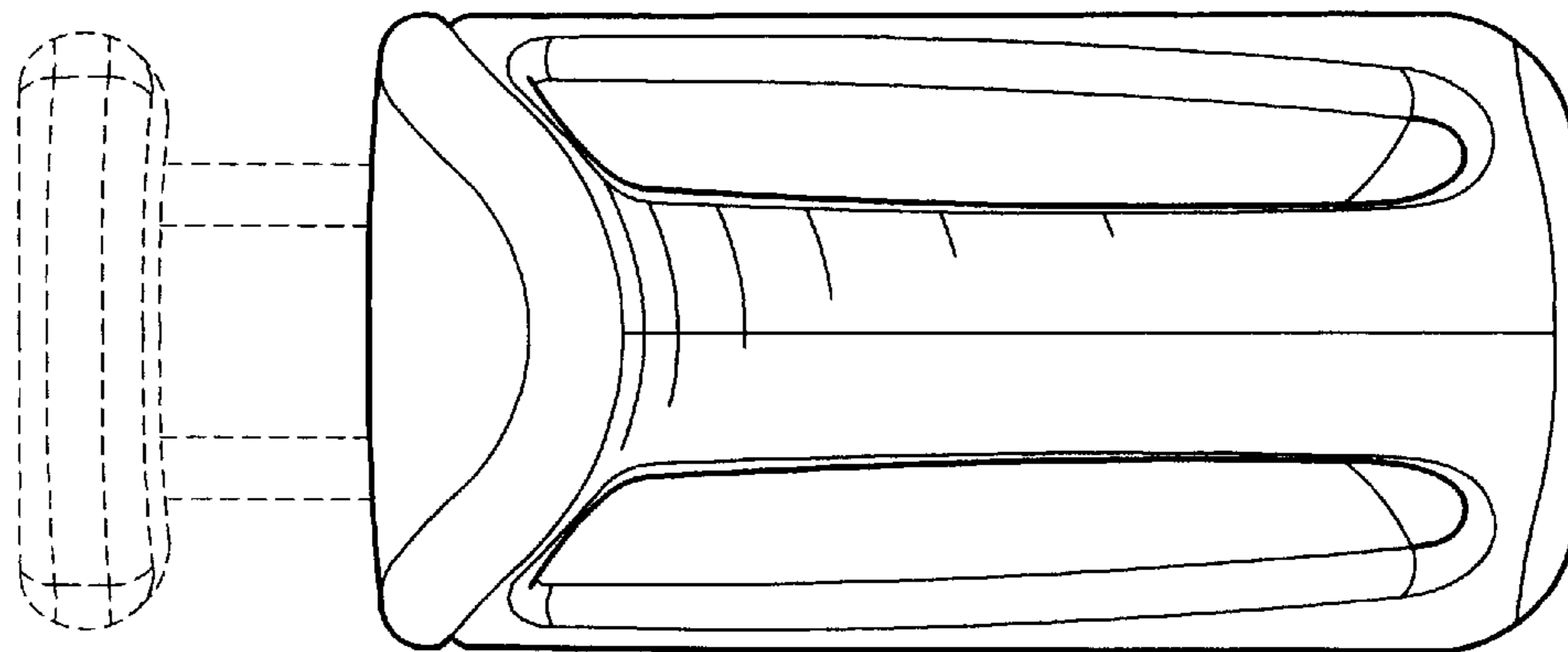


FIG. 10

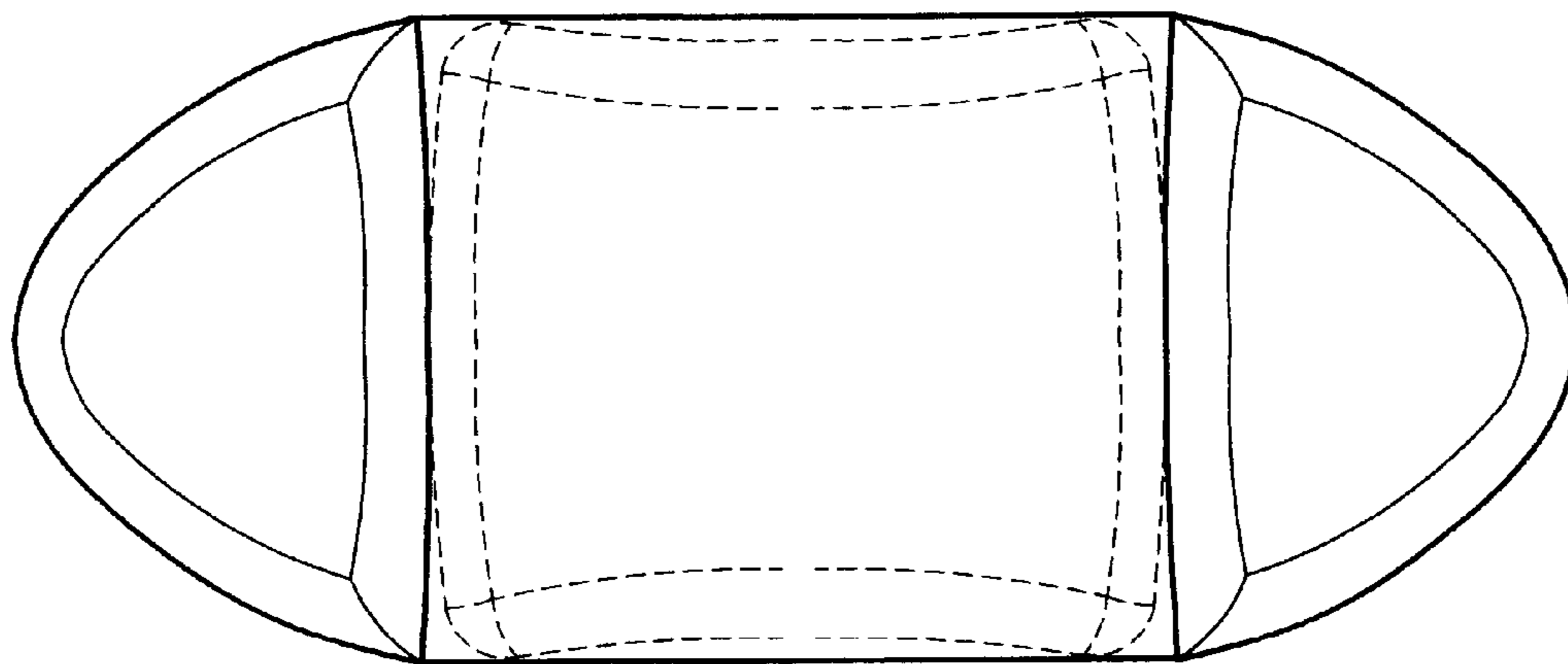


FIG. 11

