



US00D540661S

(12) **United States Design Patent**  
**Heindl**

(10) **Patent No.:** **US D540,661 S**

(45) **Date of Patent:** **\*\* Apr. 17, 2007**

(54) **CONNECTING ELEMENT FOR SHEET PILES**

(75) Inventor: **Richard Heindl**, Munich (DE)

(73) Assignee: **PilePro, LLC**, Rapid City, SD (US)

(\*\*) Term: **14 Years**

(21) Appl. No.: **29/259,791**

(22) Filed: **May 16, 2006**

(30) **Foreign Application Priority Data**

Nov. 16, 2005 (EP) ..... 000432257

(51) **LOC (8) Cl.** ..... **08-08**

(52) **U.S. Cl.** ..... **D8/382**

(58) **Field of Classification Search** ..... D8/382,  
D8/394, 395; D25/119; 405/278-279; 24/573.09,  
24/346, 370, 598.5

See application file for complete search history.

(56) **References Cited**

U.S. PATENT DOCUMENTS

D242,138 S \* 11/1976 Drawsky ..... D25/119  
6,282,762 B1 \* 9/2001 Wall ..... 24/573.09  
D472,455 S \* 4/2003 Wall ..... D8/382

\* cited by examiner

*Primary Examiner*—Holly H. Baynham

(74) *Attorney, Agent, or Firm*—Milde & Hoffberg, LLP

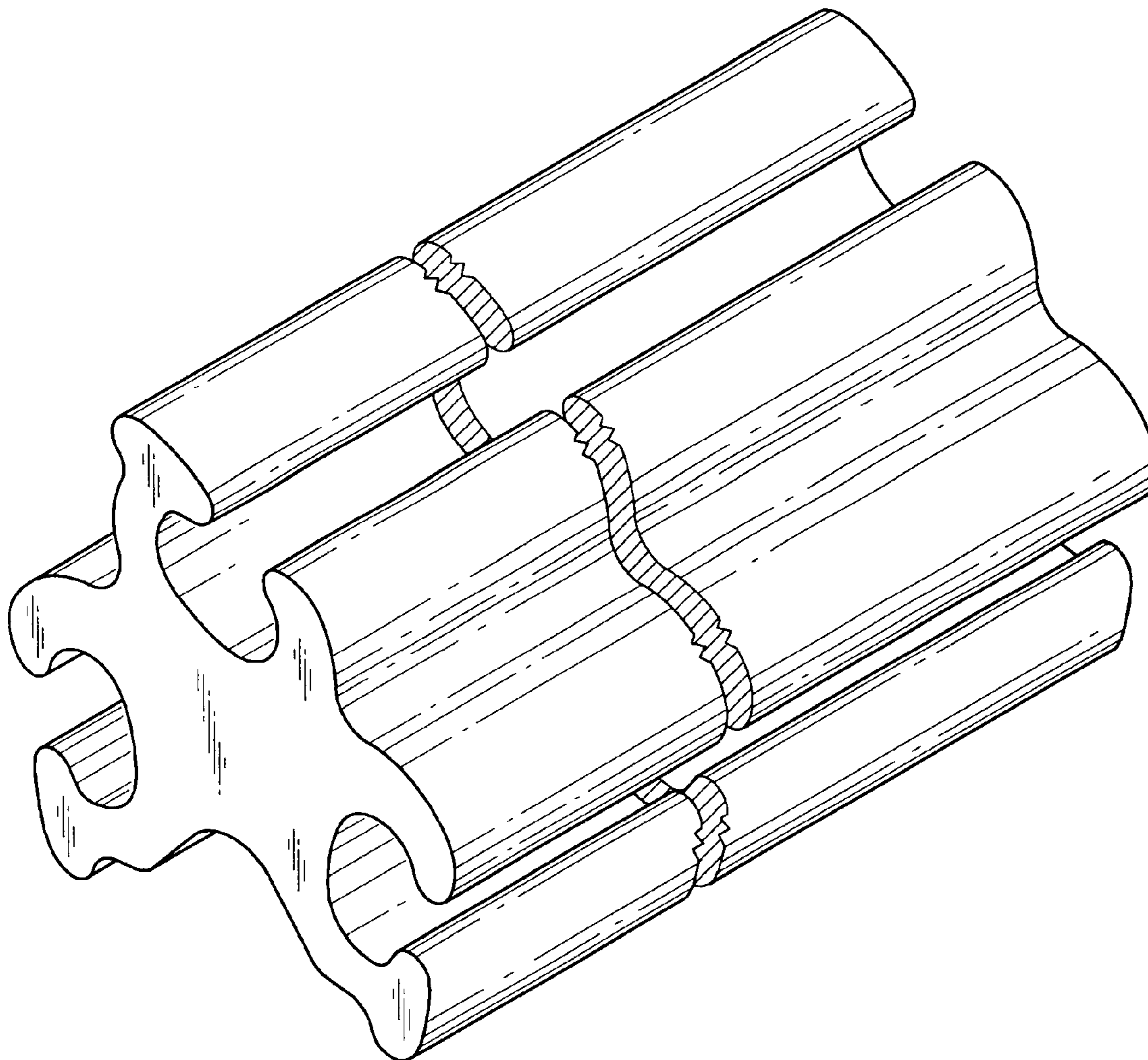
(57) **CLAIM**

The ornamental design for a connecting element for sheet piles, as shown and described.

**DESCRIPTION**

FIG. 1 is a perspective view of a connecting element for sheet piles showing my new design. The invention is shown broken away to show indeterminate length; and, FIG. 2 an end view of the connecting element of FIG. 1.

**1 Claim, 1 Drawing Sheet**



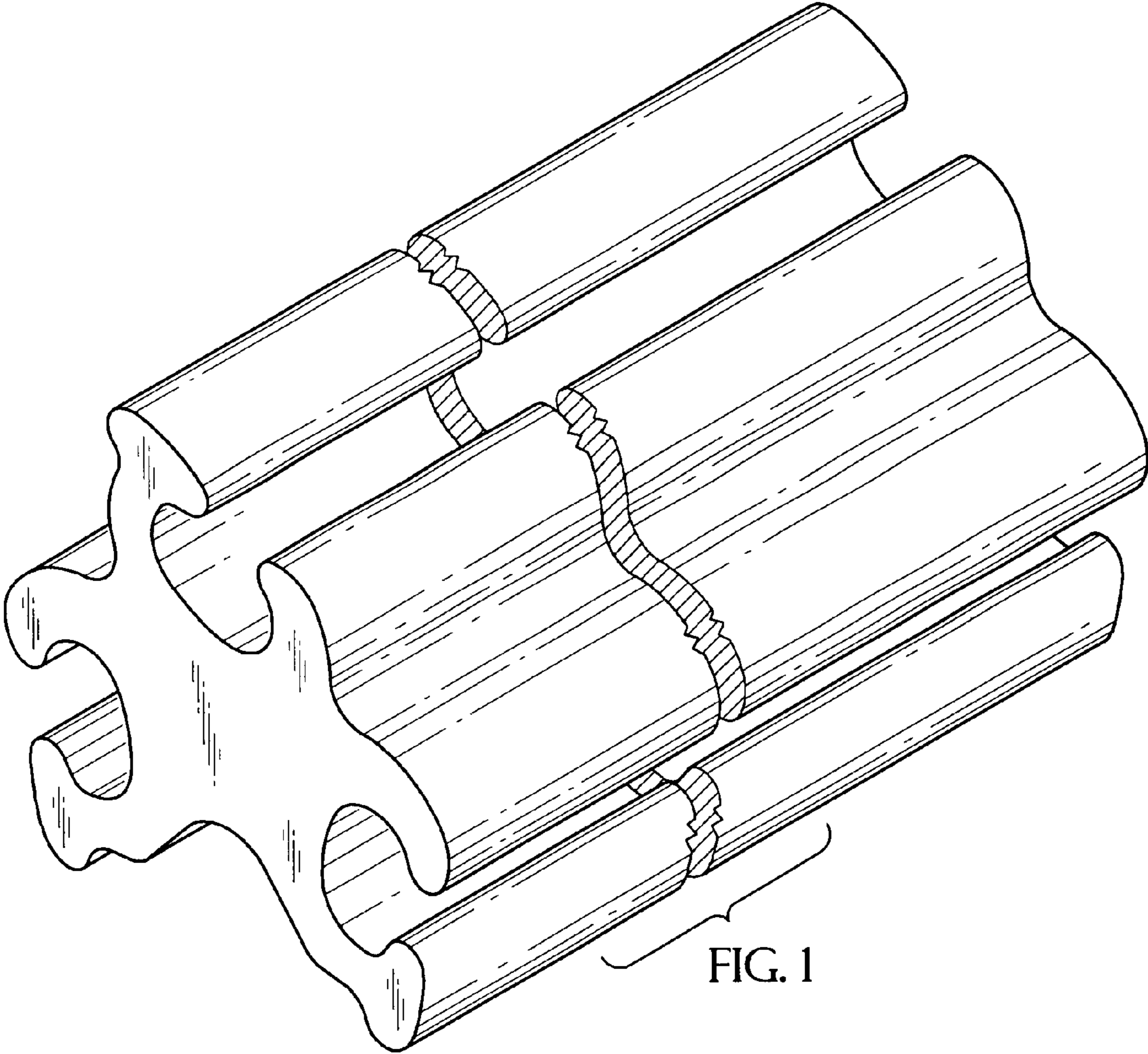


FIG. 1

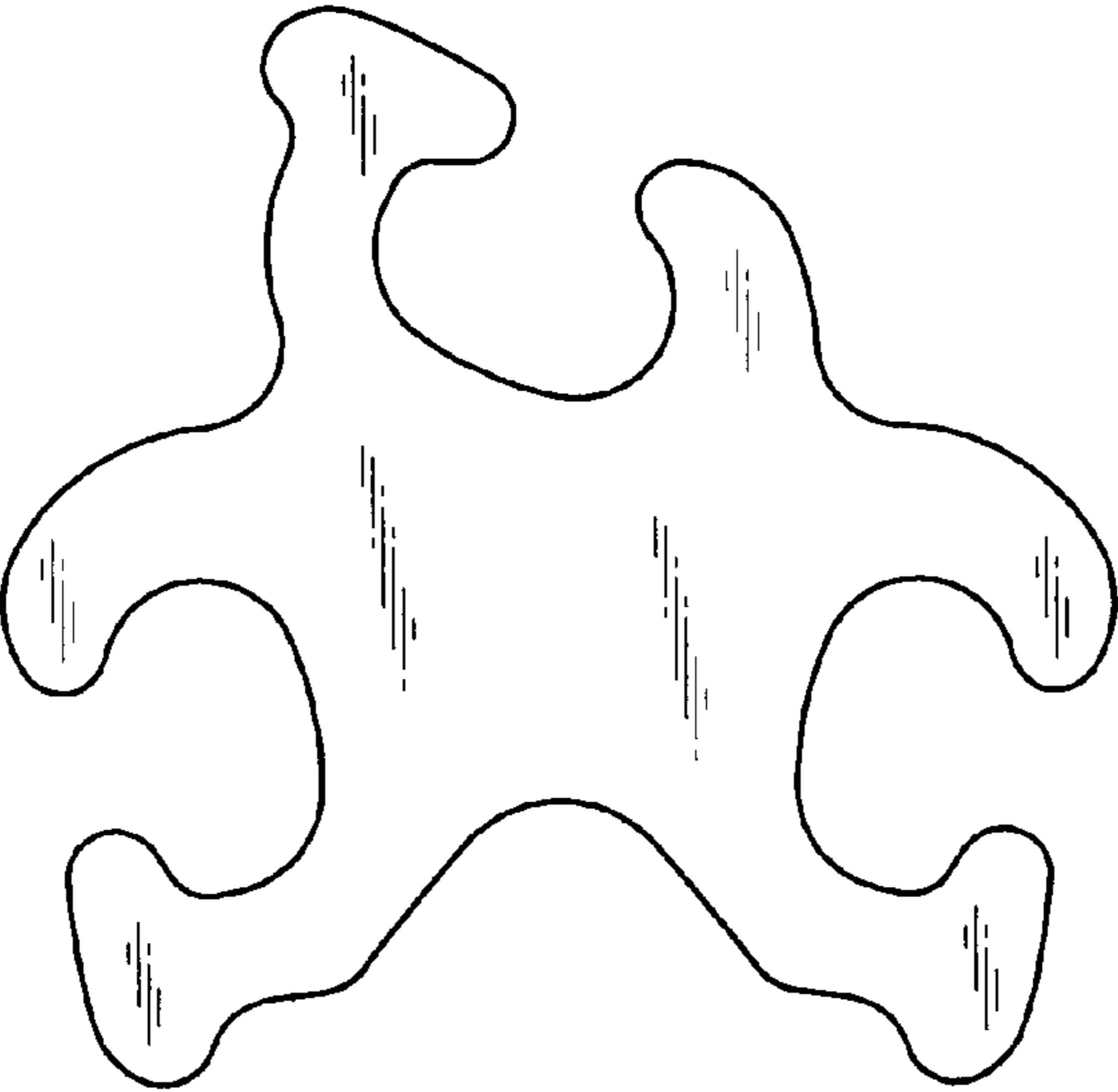


FIG. 2