



US00D540660S

(12) **United States Design Patent**
Heindl

(10) **Patent No.:** **US D540,660 S**

(45) **Date of Patent:** **** Apr. 17, 2007**

(54) **CONNECTING ELEMENT FOR SHEET PILES**

(75) Inventor: **Richard Heindl**, Munich (DE)

(73) Assignee: **PilePro, LLC**, Rapid City, SD (US)

(**) Term: **14 Years**

(21) Appl. No.: **29/259,790**

(22) Filed: **May 16, 2006**

(30) **Foreign Application Priority Data**

Nov. 16, 2005 (EM) 000432257

(51) **LOC (8) Cl.** **08-08**

(52) **U.S. Cl.** **D8/382**

(58) **Field of Classification Search** D8/382,
D8/394, 395; D25/119; 405/278-279; 24/573.09,
24/346, 370, 598.5

See application file for complete search history.

(56) **References Cited**

U.S. PATENT DOCUMENTS

D242,138 S * 11/1976 Drawsky D25/119
6,282,762 B1 * 9/2001 Wall 24/573.09
D472,455 S * 4/2003 Wall D8/382

* cited by examiner

Primary Examiner—Holly H. Baynham

(74) *Attorney, Agent, or Firm*—Milde & Hoffberg, LLP

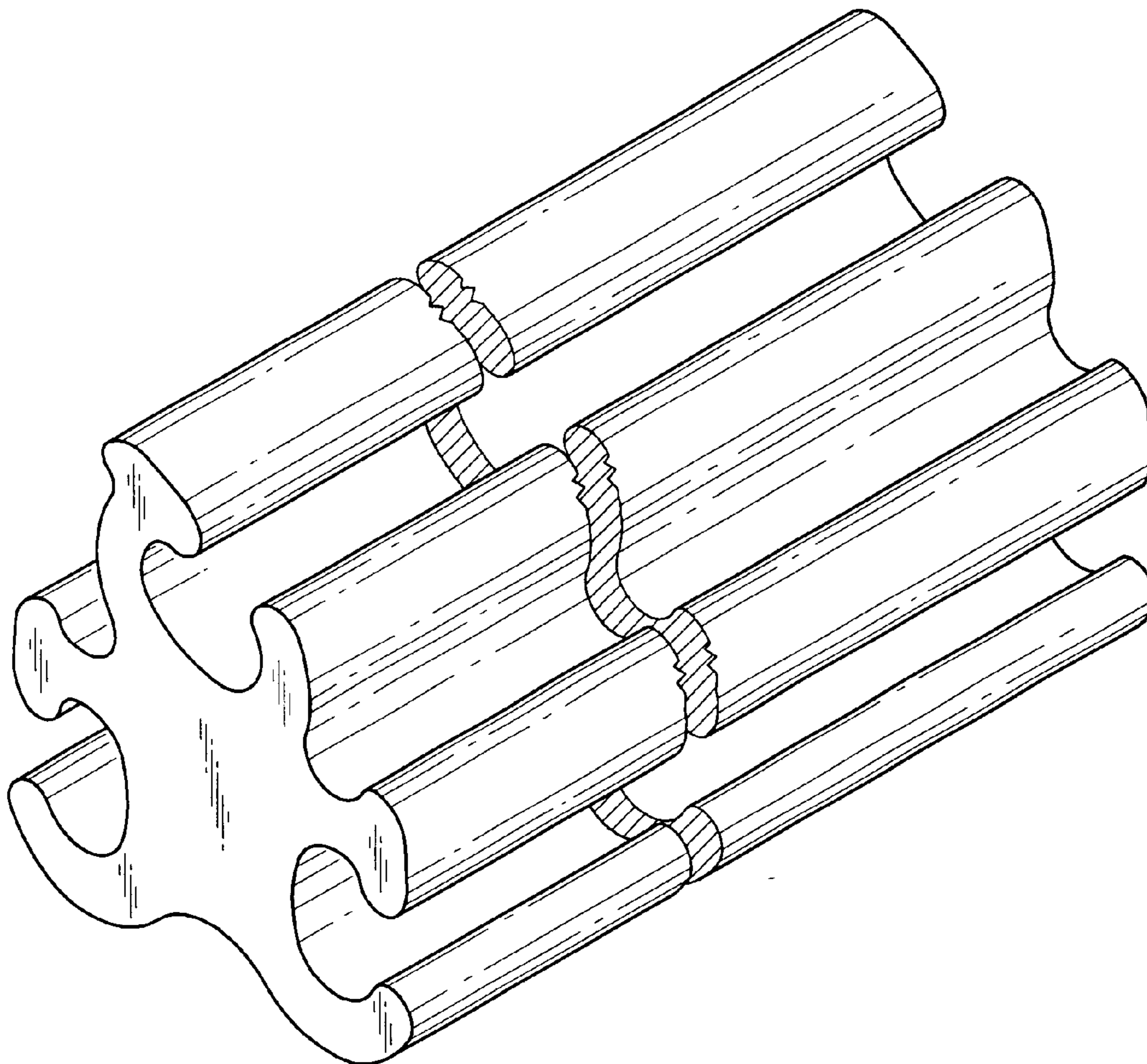
(57) **CLAIM**

The ornamental design for a connecting element for sheet piles, as shown and described.

DESCRIPTION

FIG. 1 is a perspective view of a connecting element for sheet piles showing my new design. The invention is shown broken away to show indeterminate length; and, FIG. 2 an end view of the connecting element of FIG. 1.

1 Claim, 1 Drawing Sheet



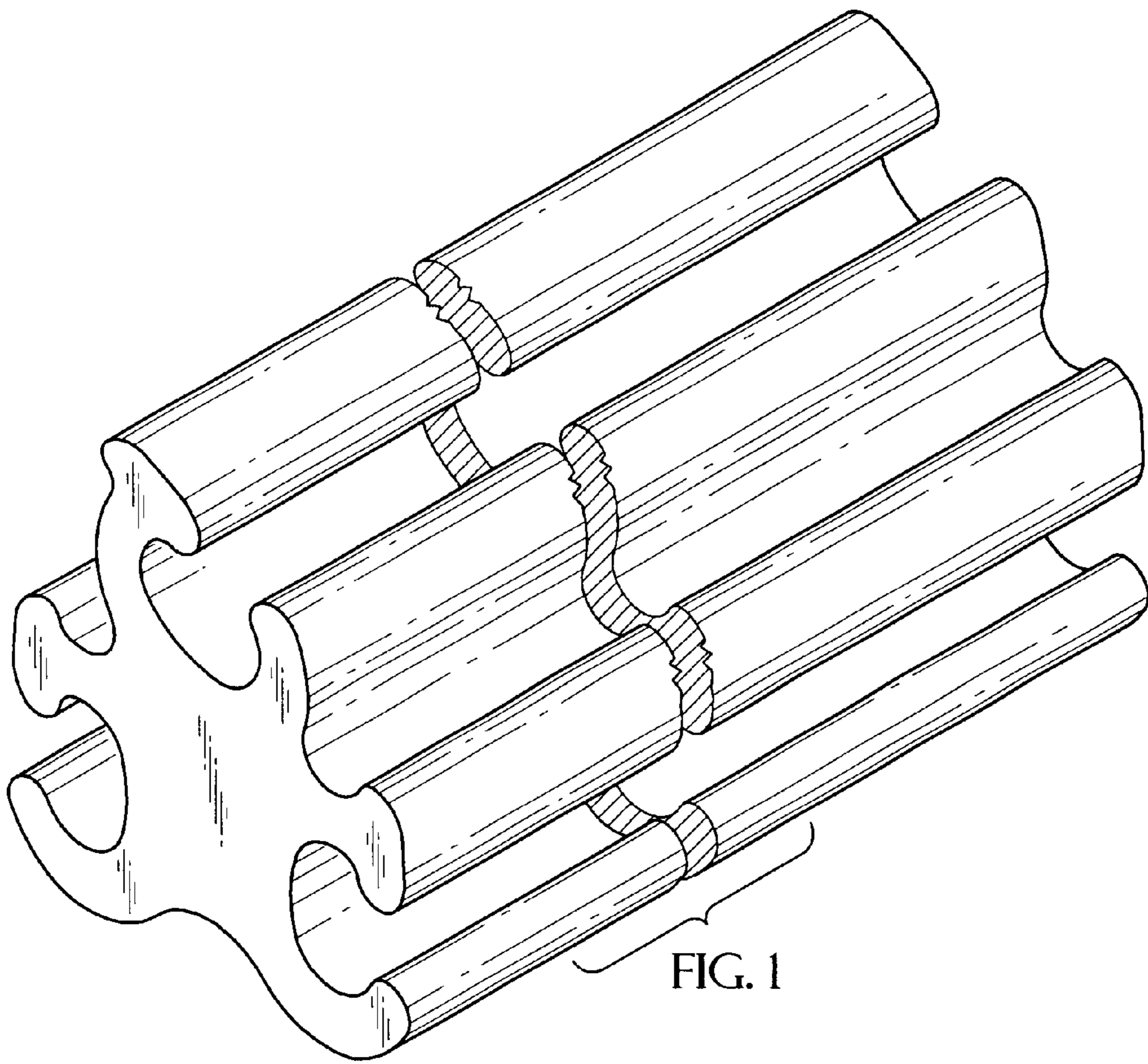


FIG. 1

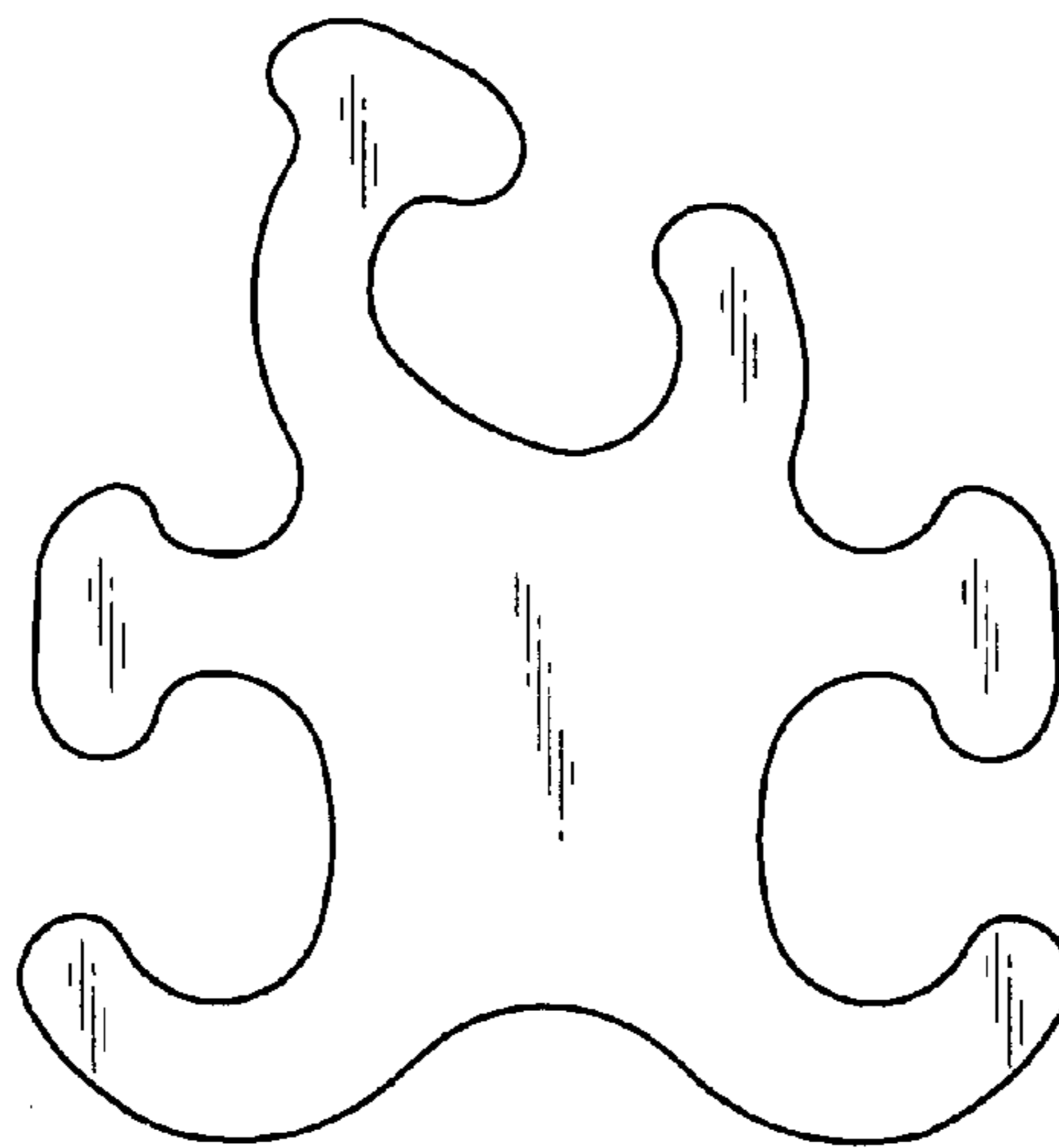


FIG. 2