

US00D540654S

(12) **United States Design Patent** (10) **Patent No.:** **US D540,654 S**  
**Aubert Capella** (45) **Date of Patent:** **\*\* Apr. 17, 2007**

(54) **WALL PLATE**

(75) Inventor: **Joaquin Aubert Capella**, Barcelona (ES)

(73) Assignee: **Simon, S.A.**, Barcelona (ES)

(\*\*) Term: **14 Years**

(21) Appl. No.: **29/151,108**

(22) Filed: **Nov. 1, 2001**

(30) **Foreign Application Priority Data**

May 3, 2001 (ES) ..... 151238

(51) **LOC (8) Cl.** ..... **11-05**

(52) **U.S. Cl.** ..... **D8/353**

(58) **Field of Classification Search** ..... D8/350-353;  
D13/177; 174/66; 220/341; 292/357; 439/536

See application file for complete search history.

(56) **References Cited**

U.S. PATENT DOCUMENTS

2,141,936	A	*	12/1938	Schmitt	.....	200/304
D379,453	S	*	5/1997	Fabrizi	.....	D13/177
D405,995	S	*	2/1999	Harris	.....	D6/524
D430,478	S	*	9/2000	De brey et al.	.....	D8/353
6,281,440	B1	*	8/2001	Baldwin et al.	.....	174/66
D461,113	S	*	8/2002	Aubert Capella	.....	D8/353
D461,114	S	*	8/2002	Aubert Capella	.....	D8/353
D461,393	S	*	8/2002	Aubert Capella	.....	D8/353

\* cited by examiner

*Primary Examiner*—Mitchell Siegel

*Assistant Examiner*—Mark A. Goodwin

(74) *Attorney, Agent, or Firm*—Michael J. Striker

(57) **CLAIM**

The ornamental design for a wall plate, as shown and described.

**DESCRIPTION**

FIG. 1 is a top, left side perspective view of a wall plate showing my new design;

FIG. 2 is a front view thereof;

FIG. 3 is a top view thereof;

FIG. 4 is a right side view which is a mirror image of the opposite side thereof;

FIG. 5 is a rear view thereof; and

FIG. 6 is a bottom view thereof;

FIG. 7 is a top, left side perspective view of a first alternate embodiment of a wall plate showing my new design;

FIG. 8 is a right side view thereof which is a mirror image of the opposite side thereof;

FIG. 9 is a front view thereof;

FIG. 10 is a top view thereof;

FIG. 11 is a rear view thereof; and

FIG. 12 is a bottom view thereof;

FIG. 13 is a top, left side perspective view of a second alternate embodiment of a wall plate showing my new design;

FIG. 14 is a right side view thereof which is a mirror image of the opposite side thereof;

FIG. 15 is a front view thereof;

FIG. 16 is a top view thereof;

FIG. 17 is a rear view thereof; and

FIG. 18 is a bottom view thereof;

FIG. 19 is a top, left side perspective view of a third alternate embodiment of a wall plate showing my new design;

FIG. 20 is a right side view thereof which is a mirror image of the opposite side thereof;

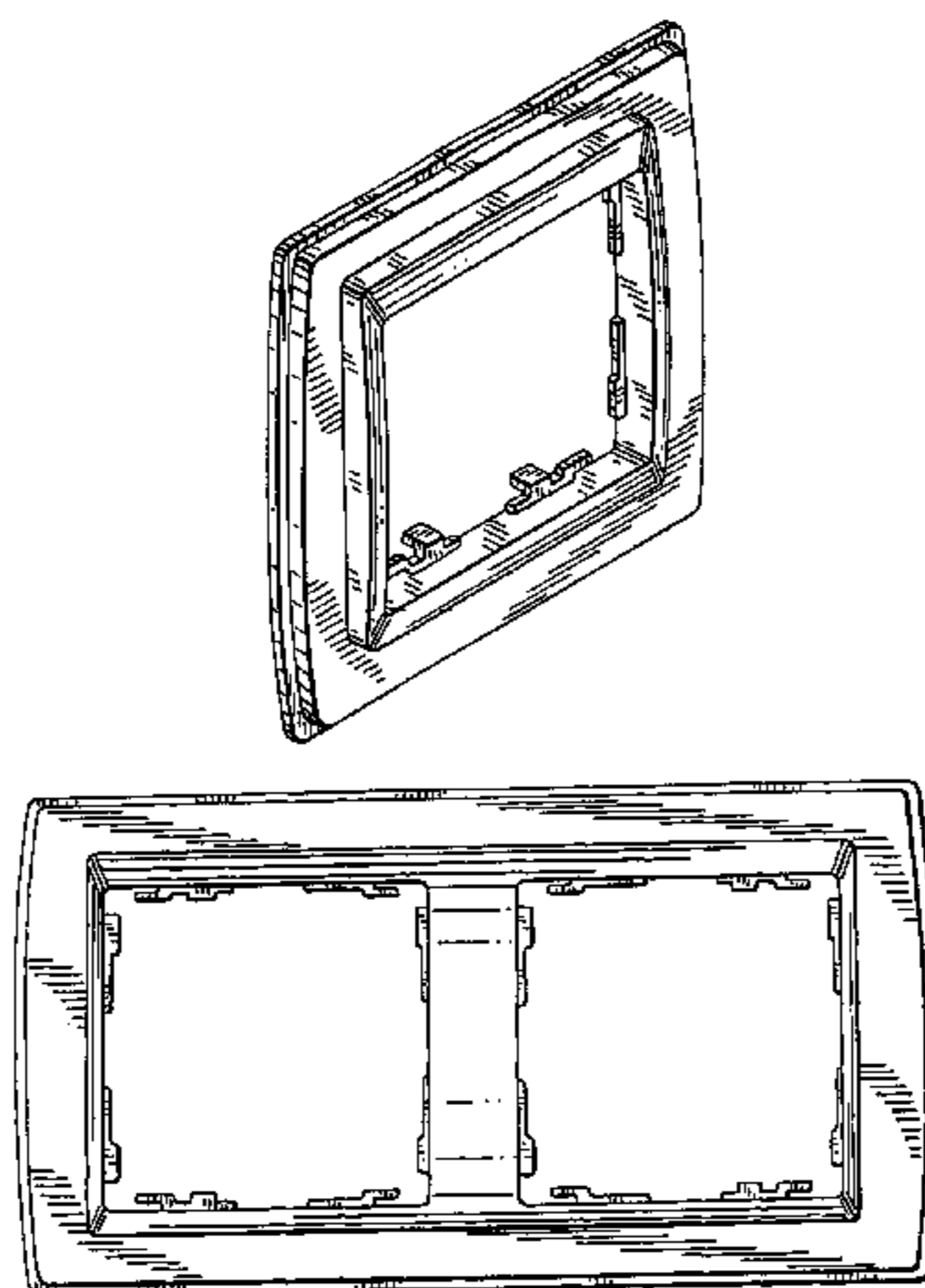
FIG. 21 is a front view thereof;

FIG. 22 is a top view thereof;

FIG. 23 is a rear view thereof; and,

FIG. 24 is a bottom view thereof.

**1 Claim, 11 Drawing Sheets**



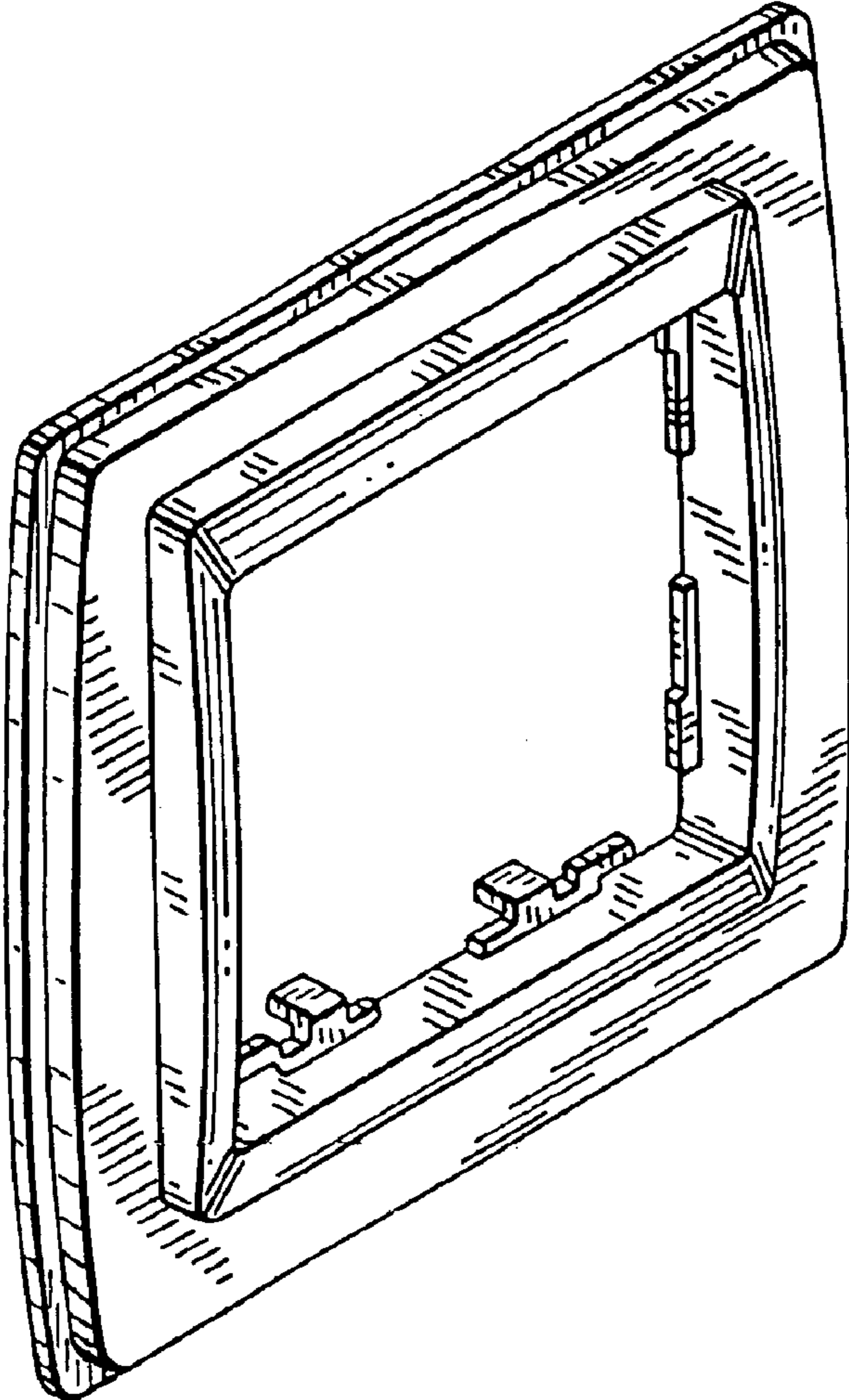


FIG. 1

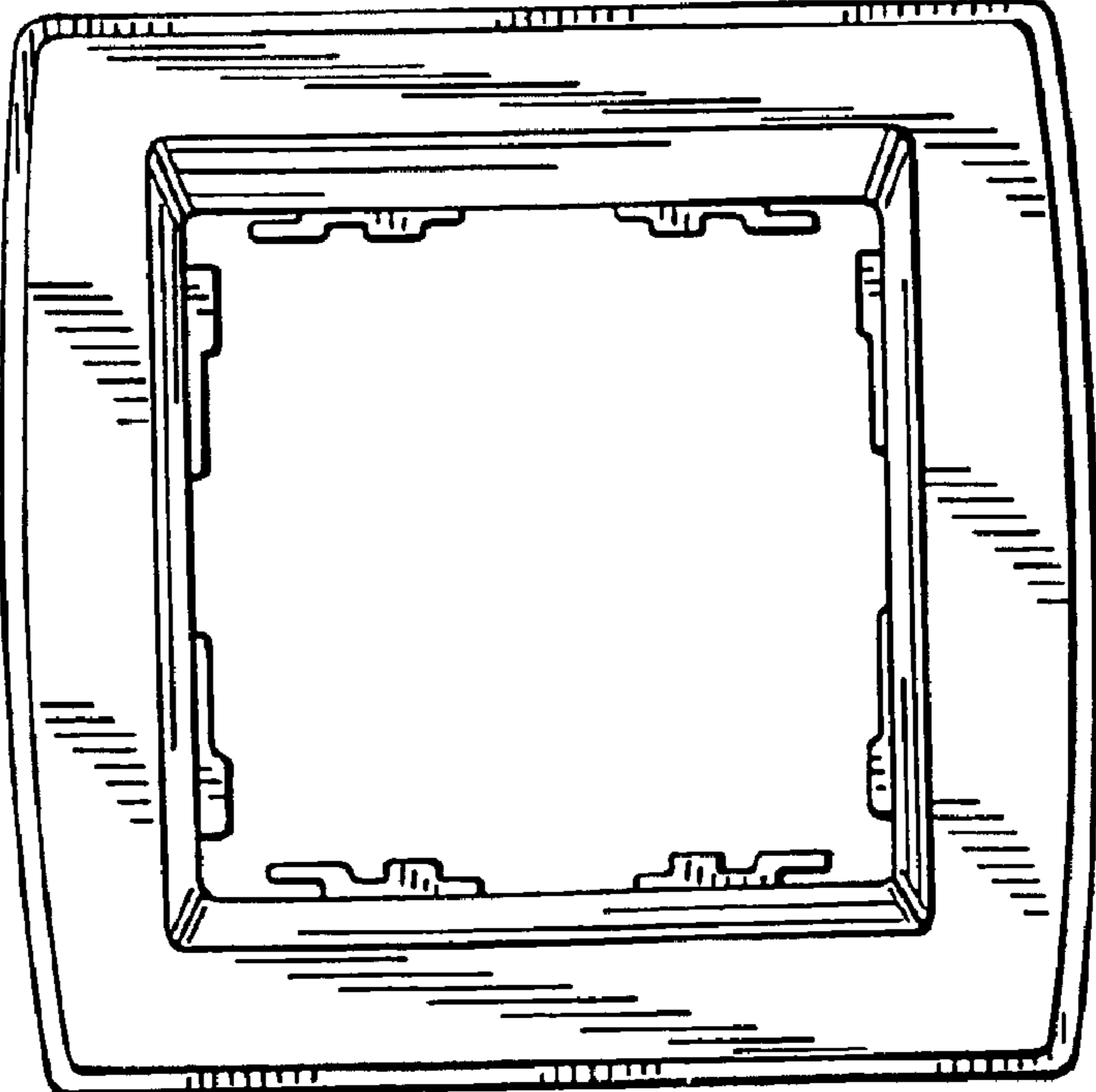


FIG. 2

FIG. 3

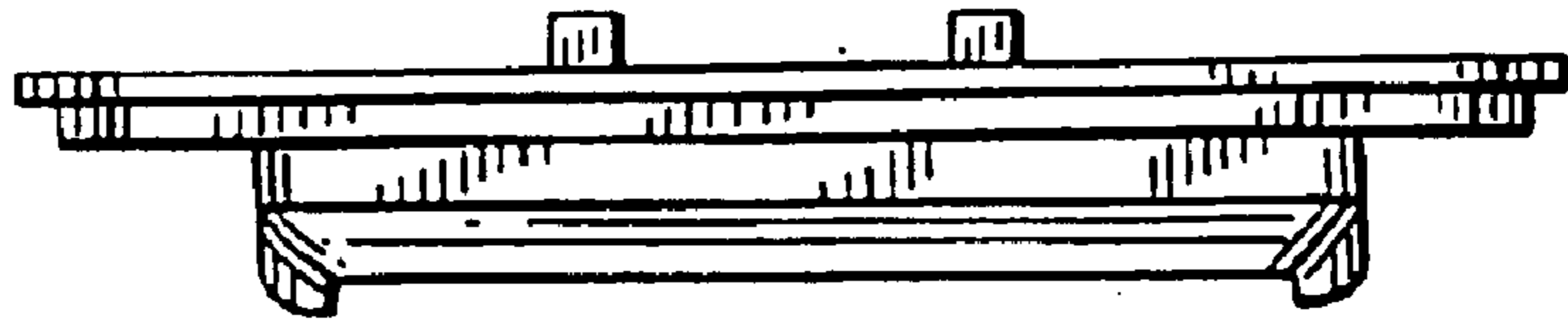


FIG. 5

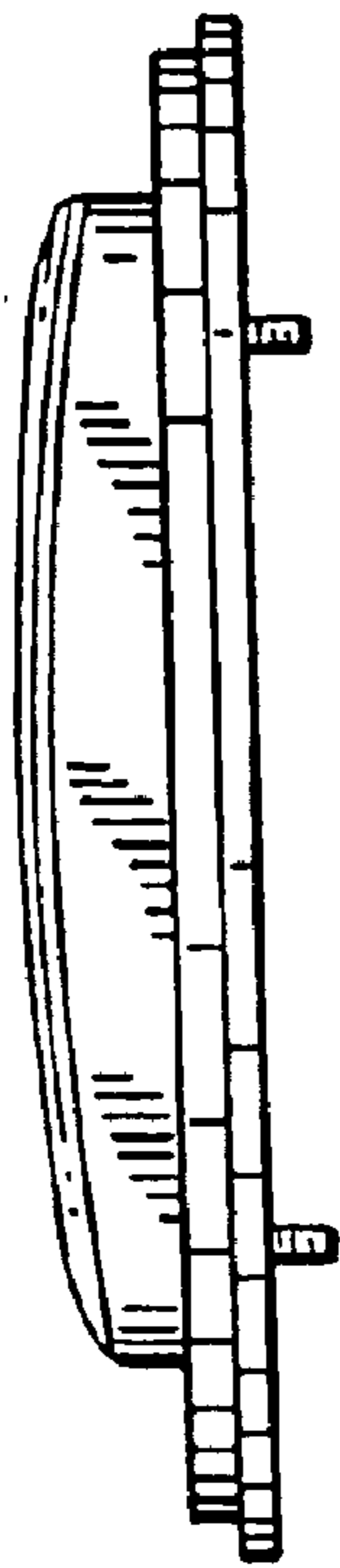
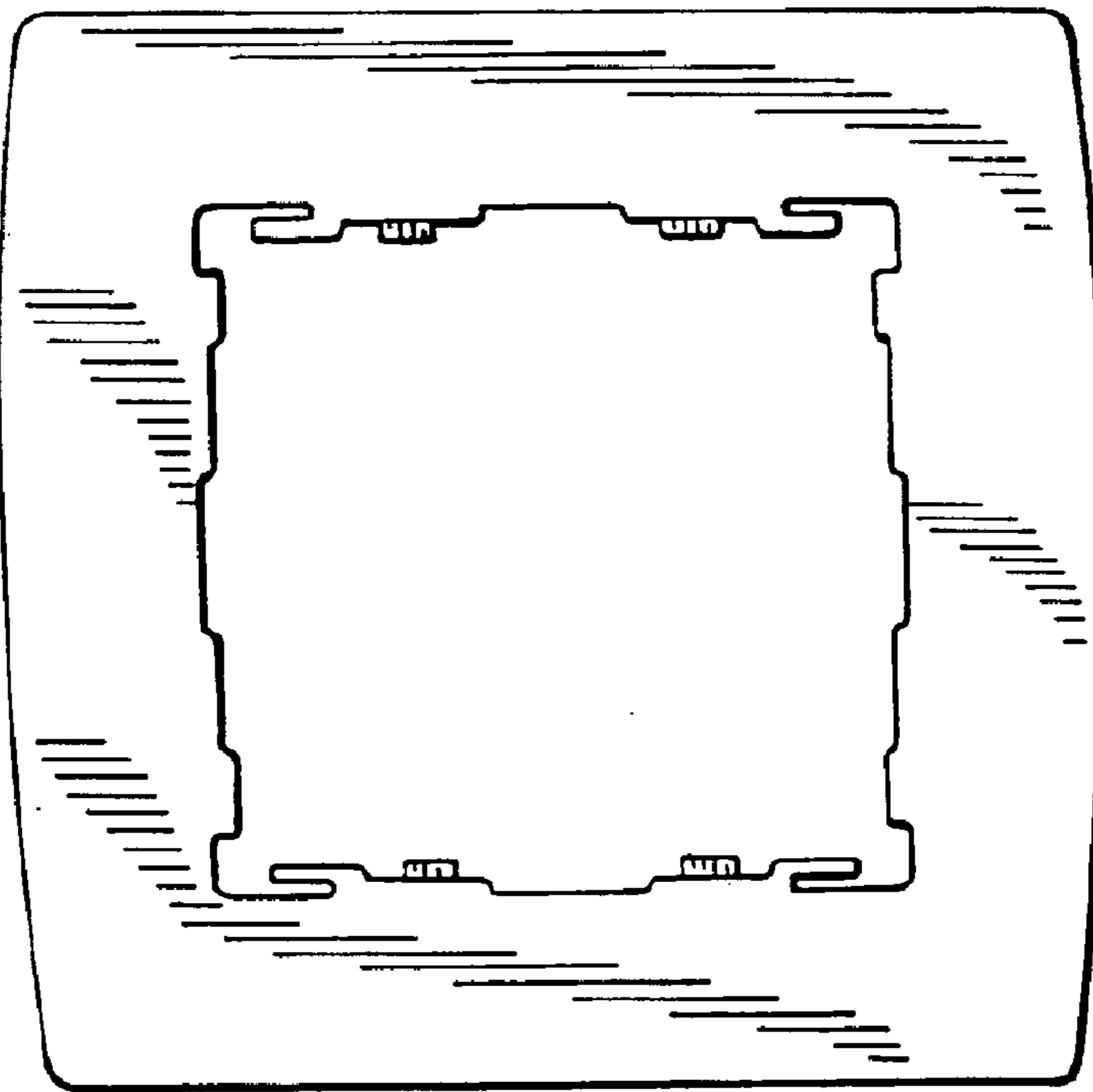


FIG. 4

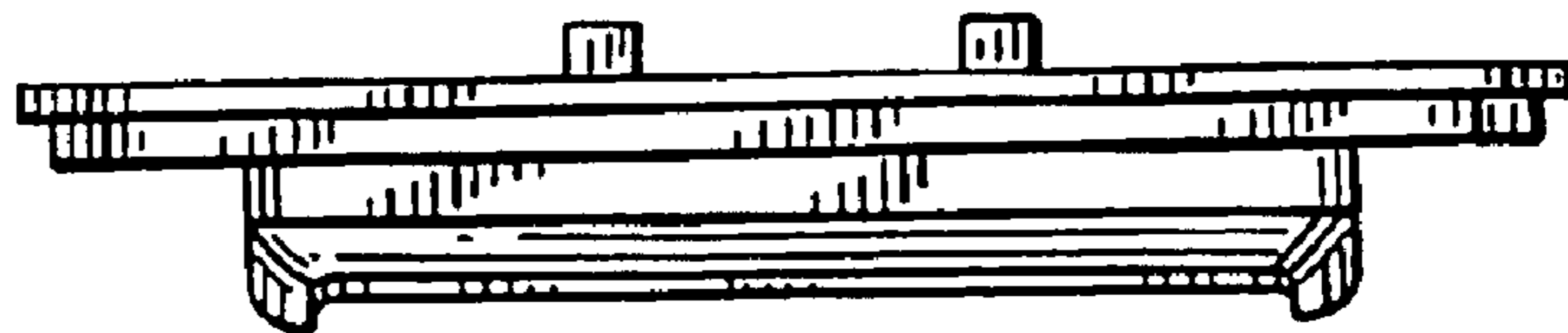
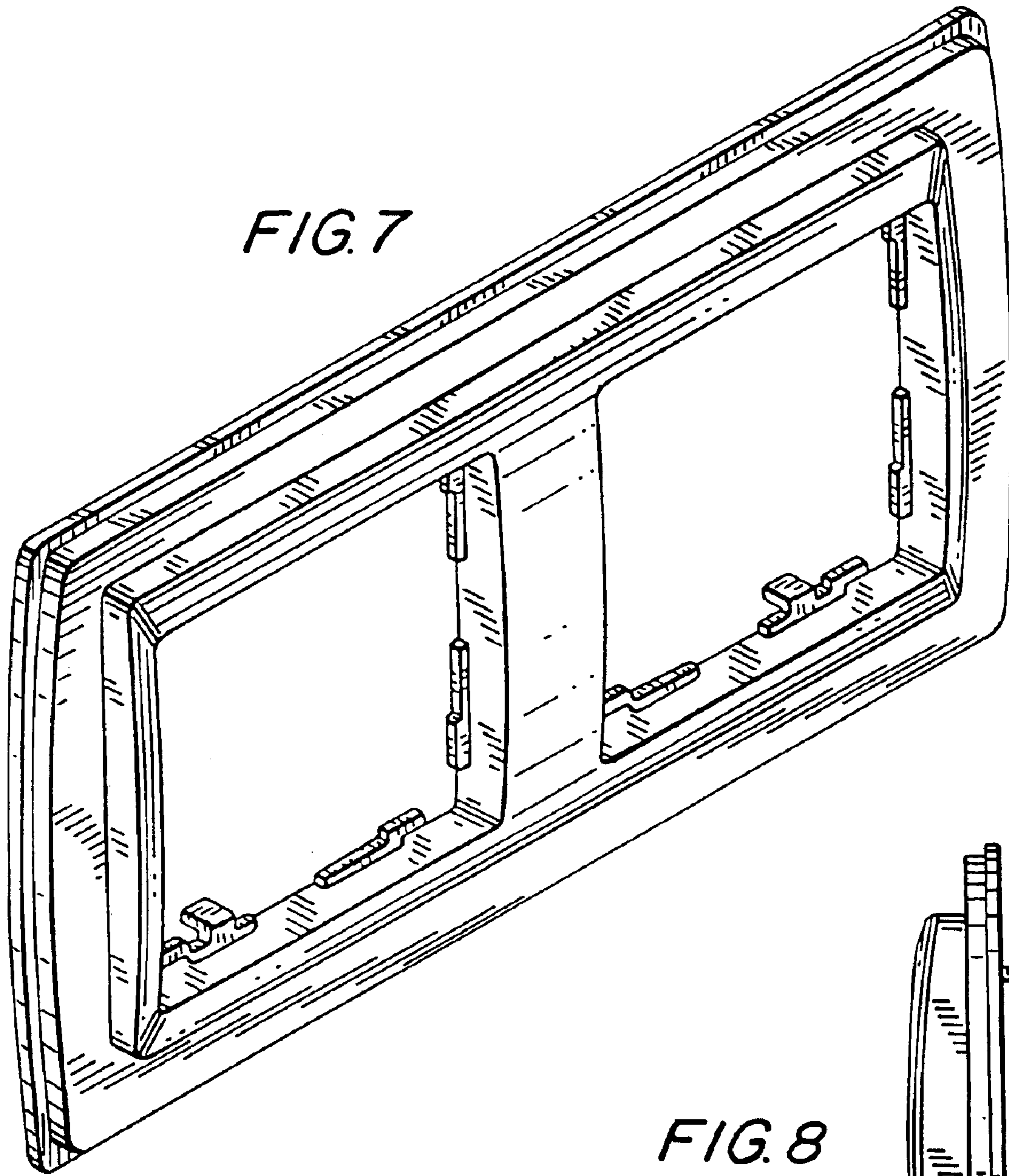


FIG. 6



*FIG. 8*

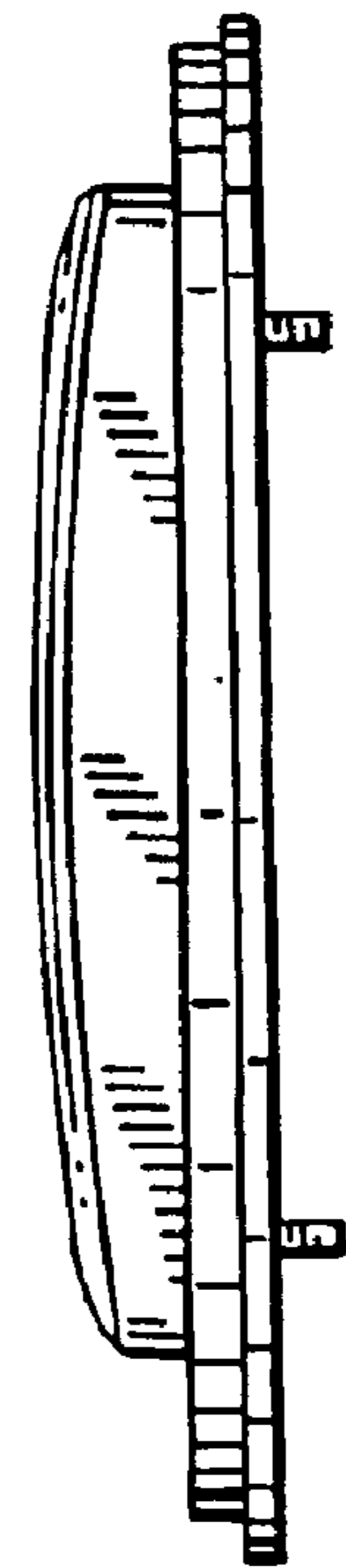


FIG. 9

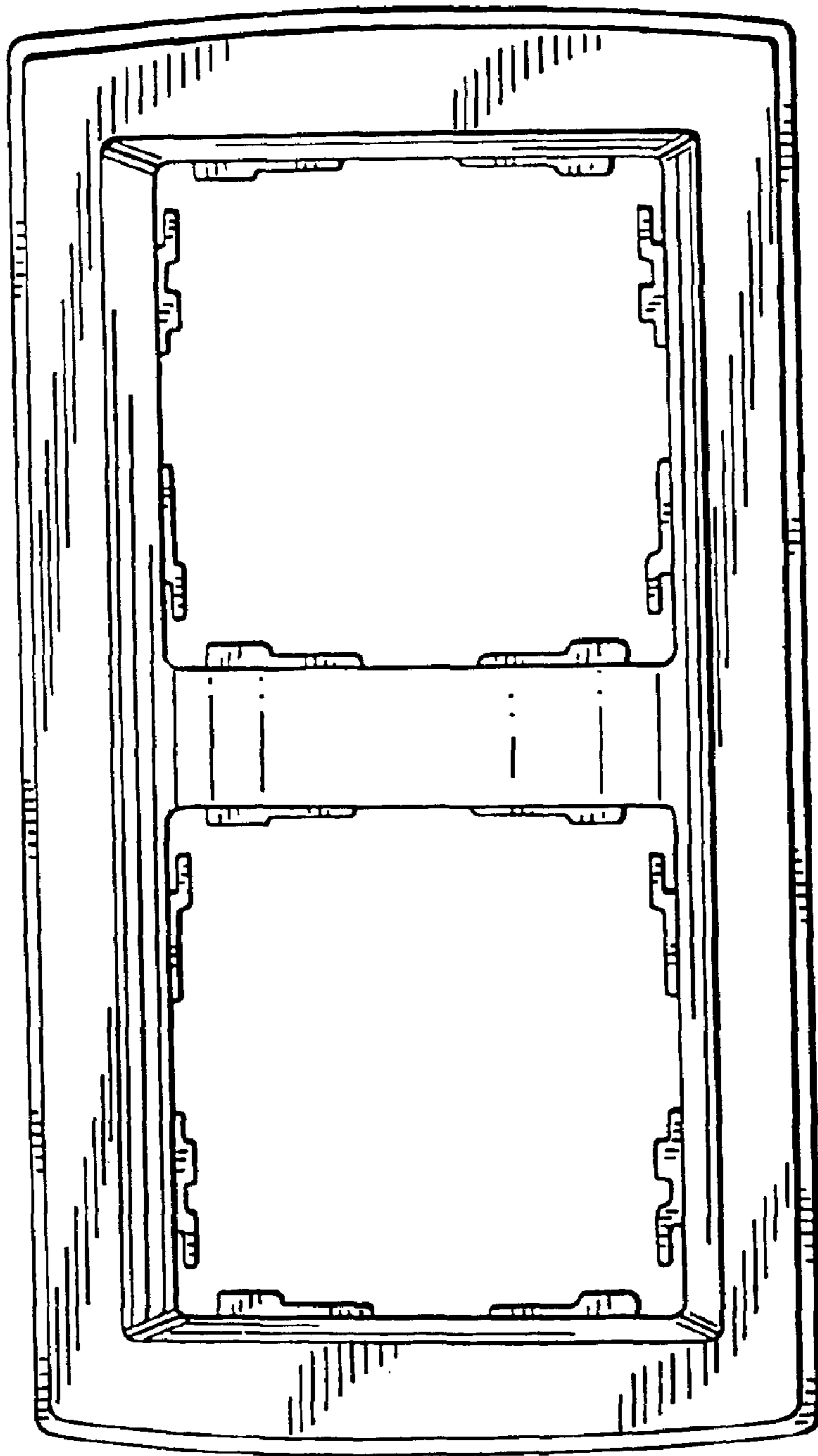


FIG. 10

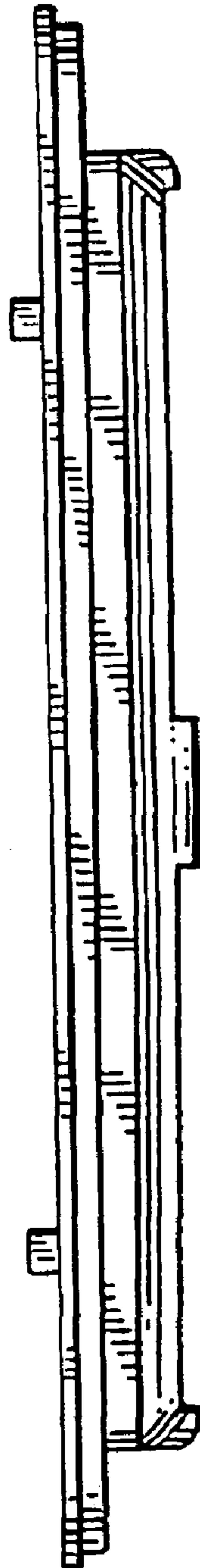


FIG. 11

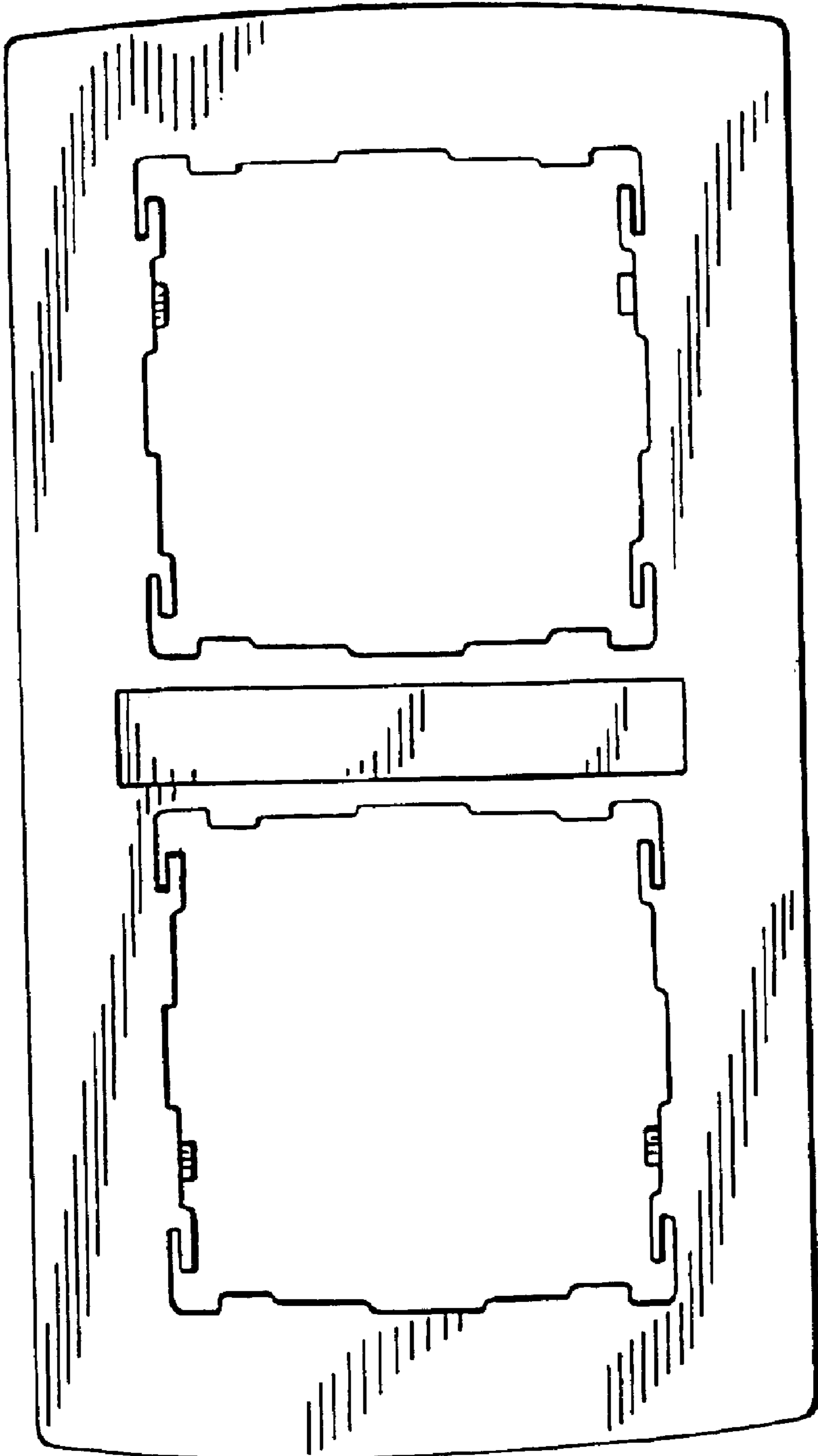
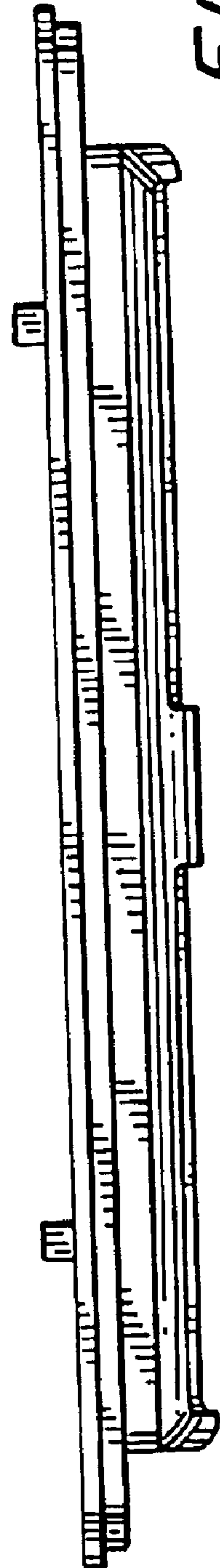


FIG. 12



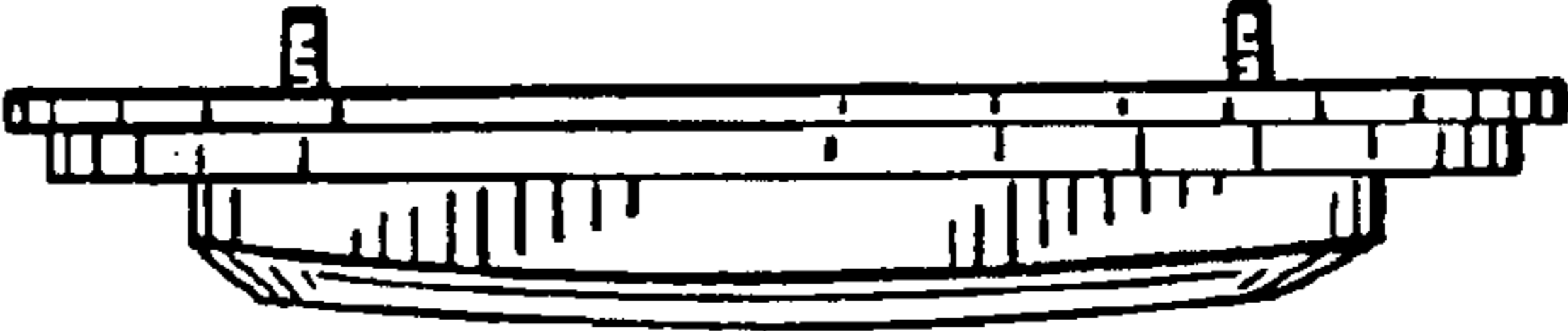


FIG. 14

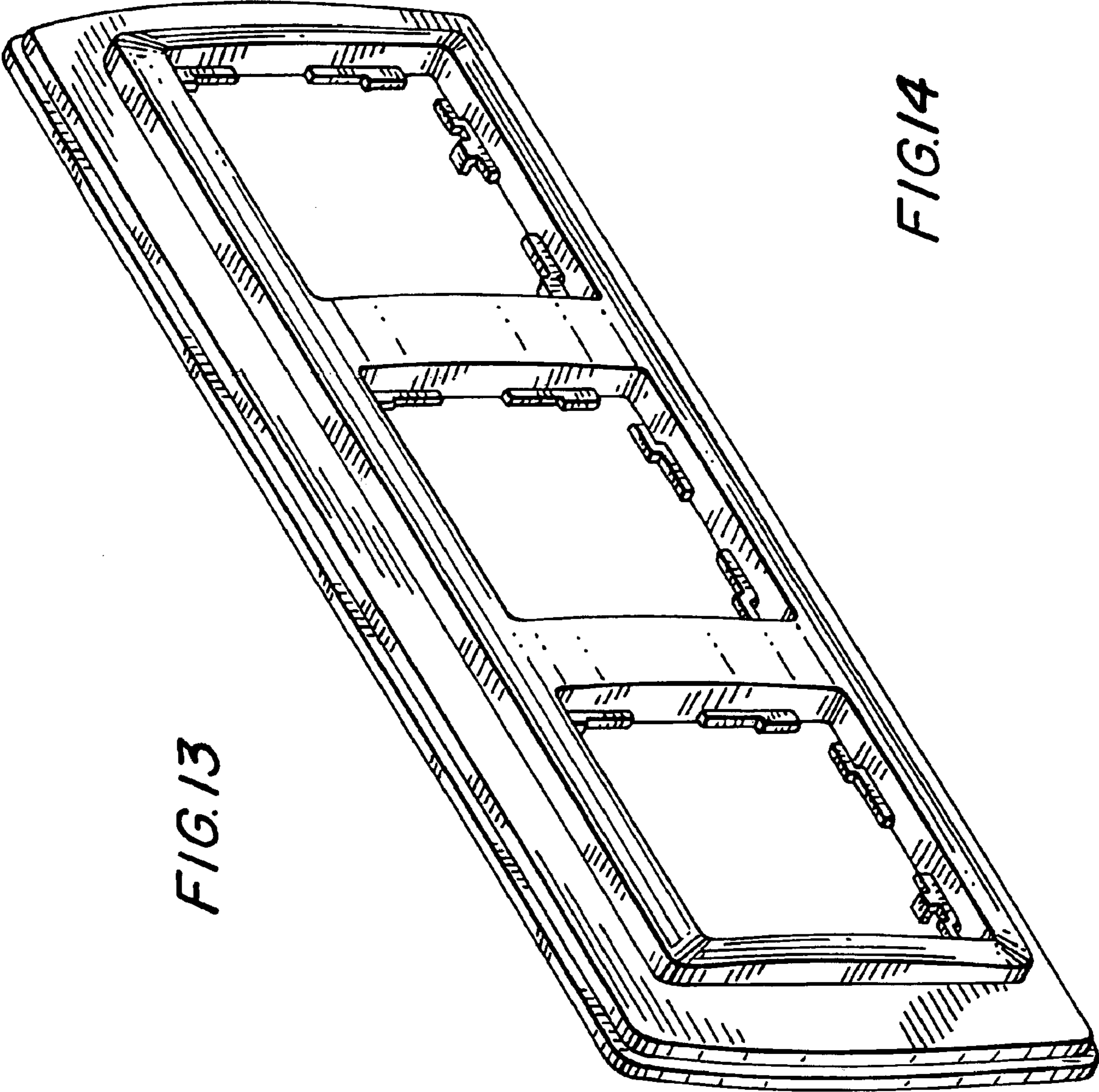


FIG. 13

FIG. 15

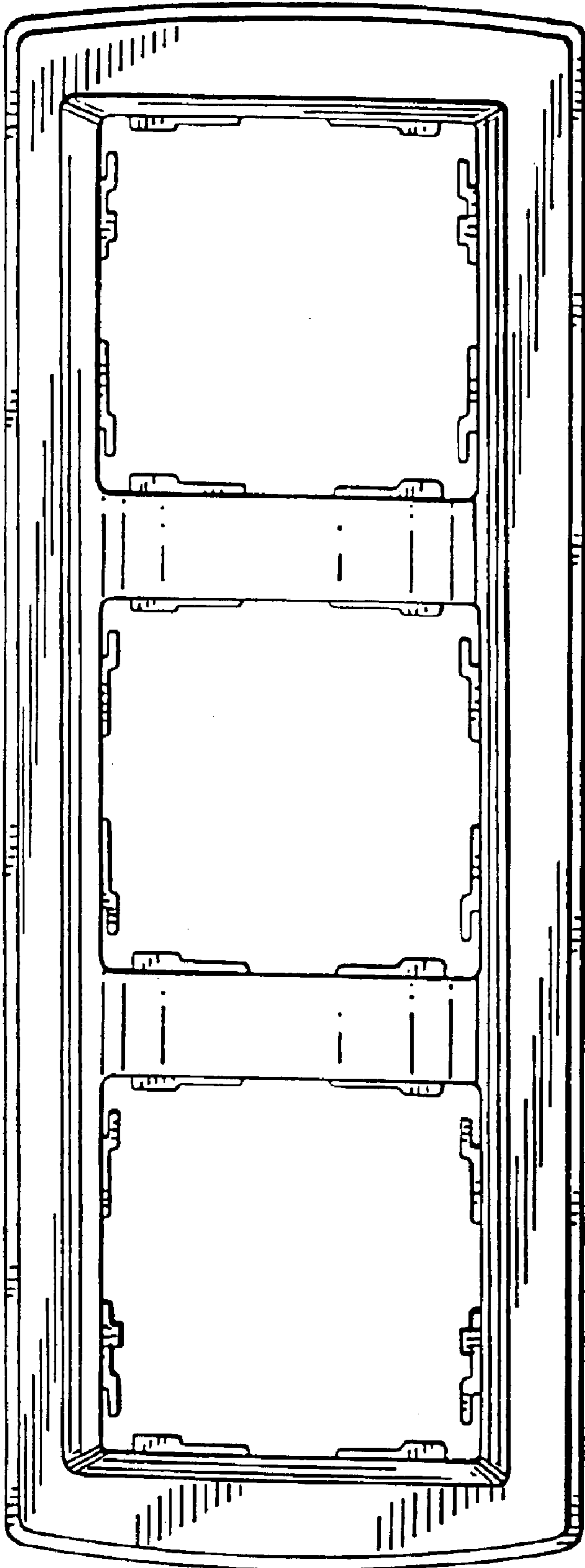


FIG. 16

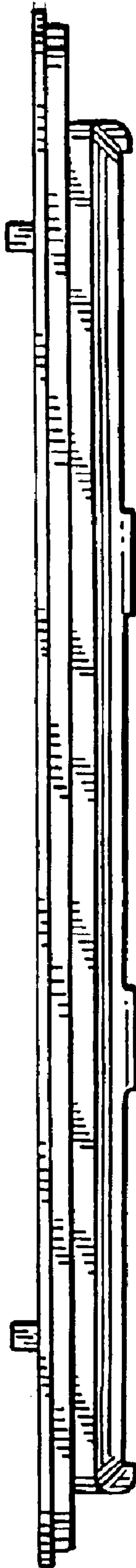




FIG.17

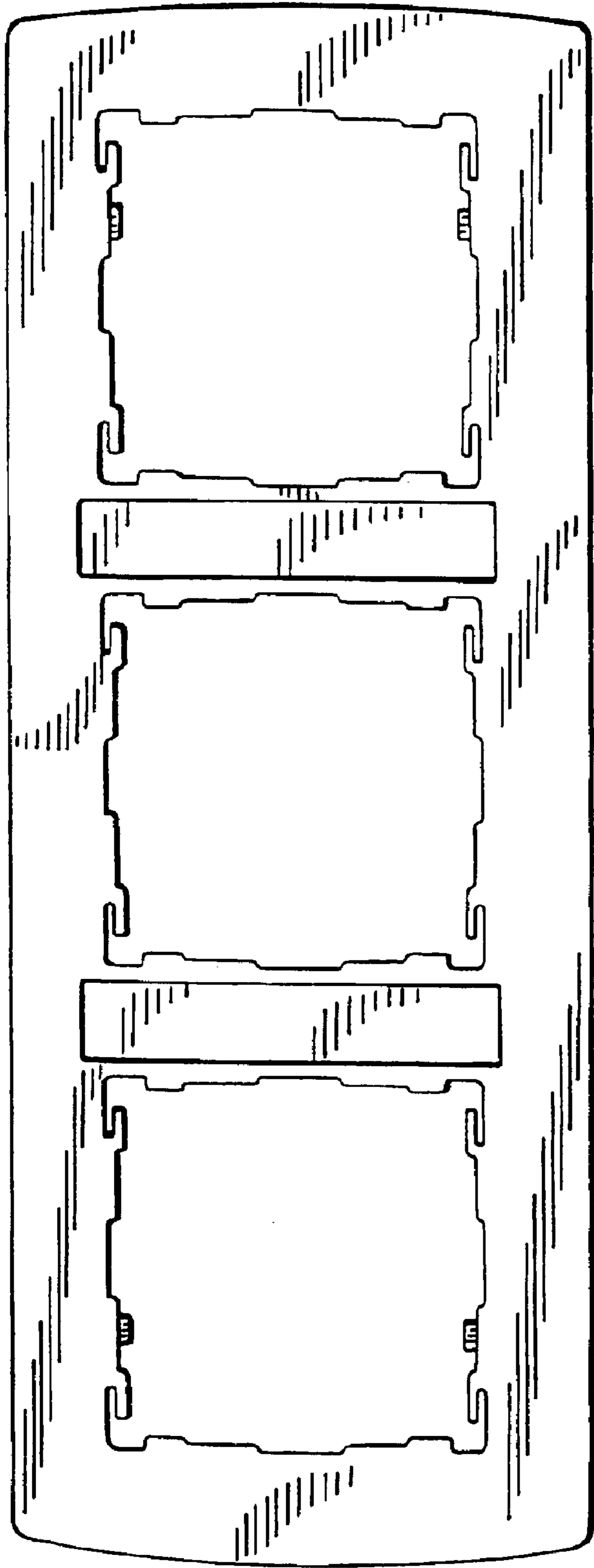


FIG.18



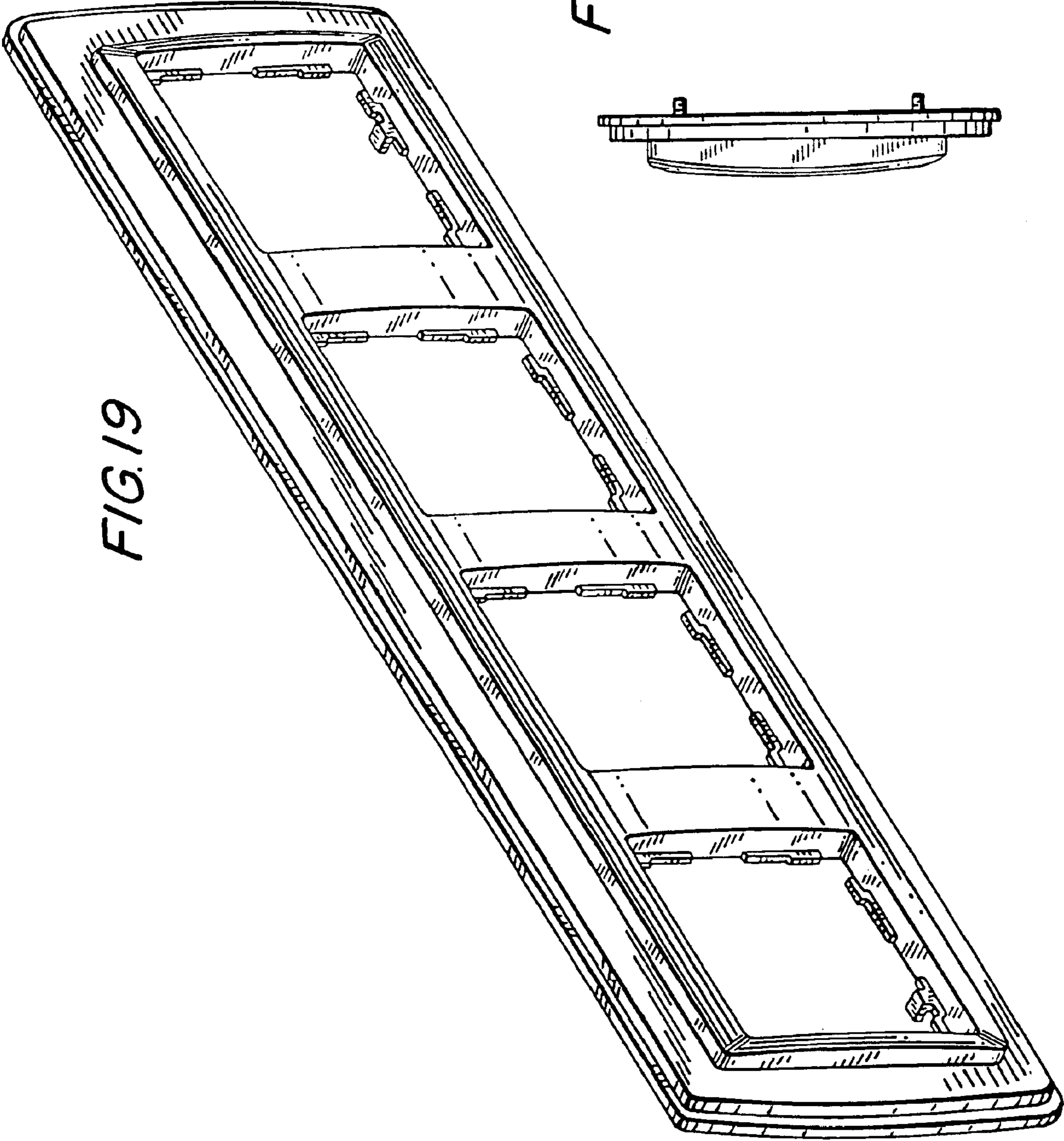


FIG.19

FIG.20

FIG. 21

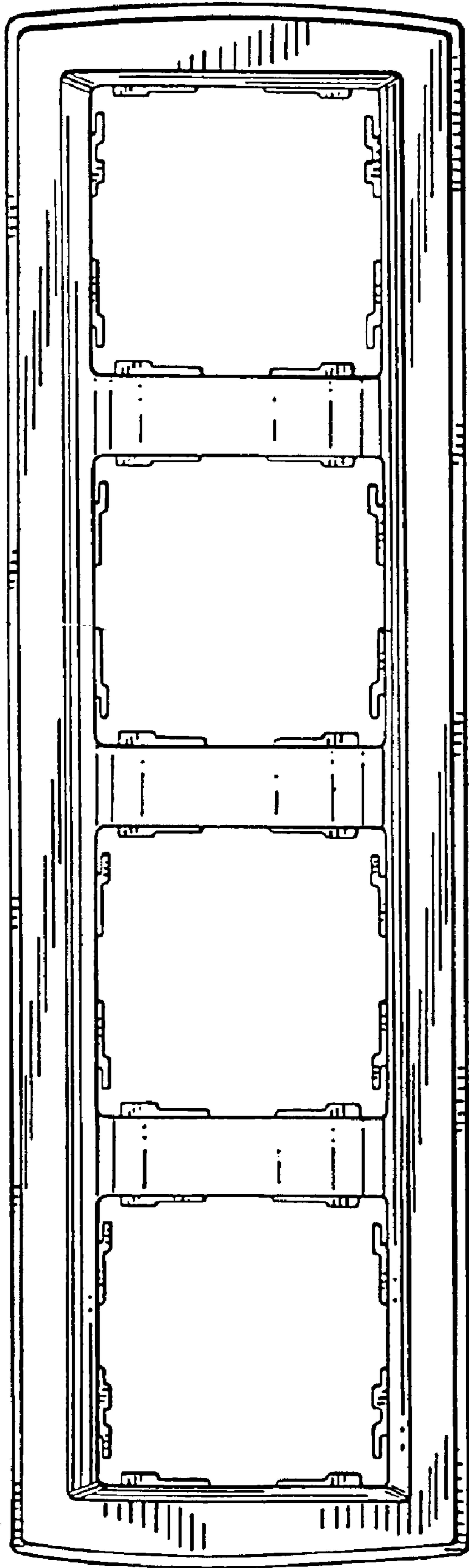


FIG. 22



FIG. 23

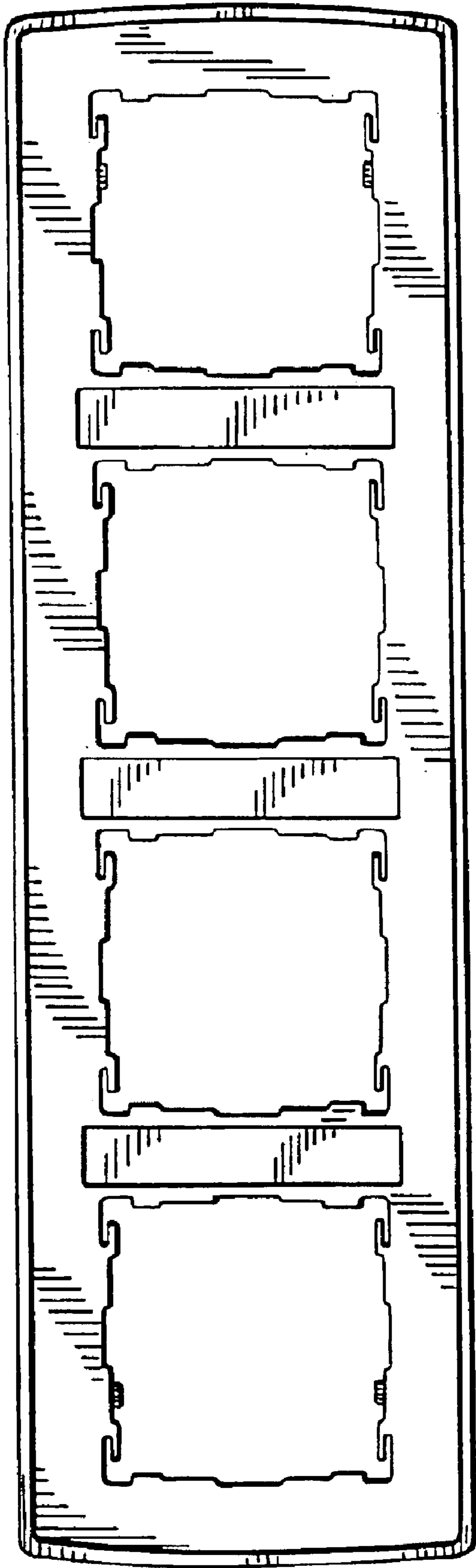


FIG. 24

